

PENDANT MOUNTED ARM

XPB

SPECIFICATIONS

PROJECT NAME: _____

PROJECT TYPE: _____

MOUNTING

90° extruded aluminum (6063-T1 alloy) 1 5/8" diameter swept arm with 2 horizontal extruded aluminum support arms welded to an extruded aluminum hub with a domed pole cap. The mounting hub is designed for a 2 7/8" x 6" tenon and has 8 (4 x 2) recessed socket head leveling screws. All welds are blended to create a one-piece, unified appearance. Fixture mounting uses the pendant Trulevel mounting to allow for luminaire leveling in the field. A wiring harness is provided through the arm assembly terminating in the Trulevel hub with quick-connects. All hardware is stainless steel.

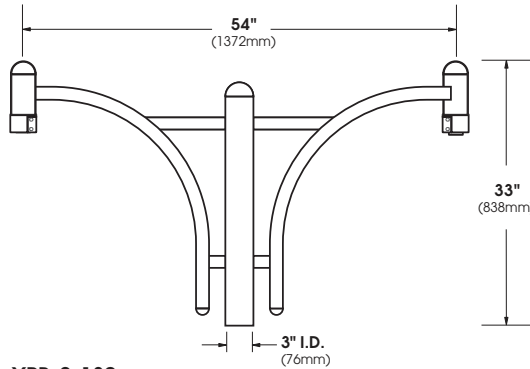
FINISH

Electrostatically applied TGIC Polyester Powder Coat on substrate prepared with 20 PSI power wash at 140°F. Four step media blast and iron phosphate pretreatment for protection and paint adhesion. 400°F bake for maximum hardness and durability.

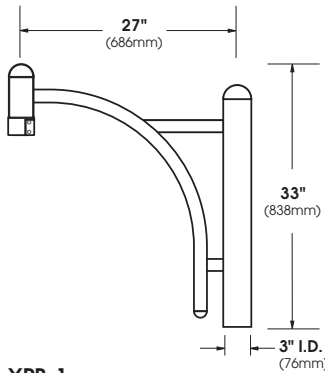


XPB

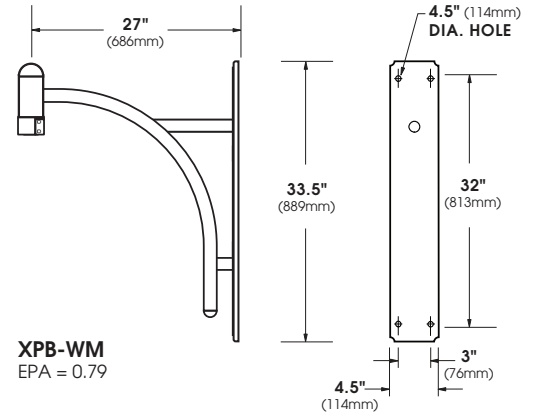
PATENT PENDING



XPB-2-180
EPA = 1.70



XPB-1
EPA = 1.12



XPB-WM
EPA = 0.79

SCALE: 1/2"=1'

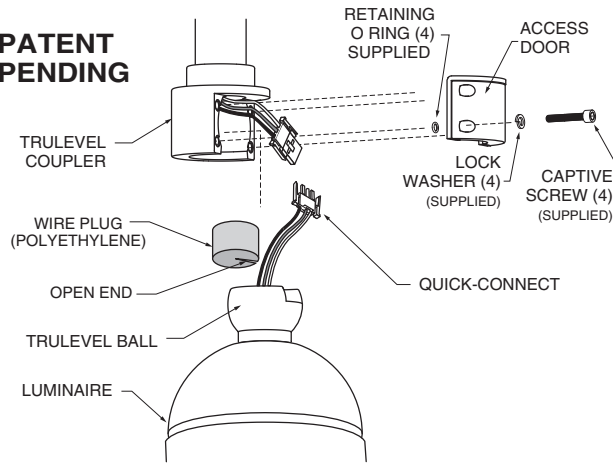


2017166



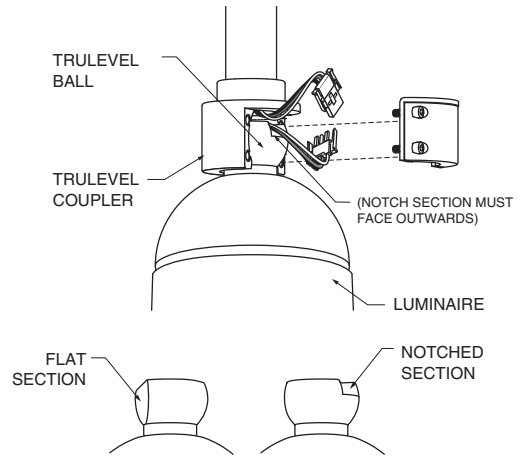
TRULEVEL SYSTEM® ASSEMBLY

PATENT PENDING

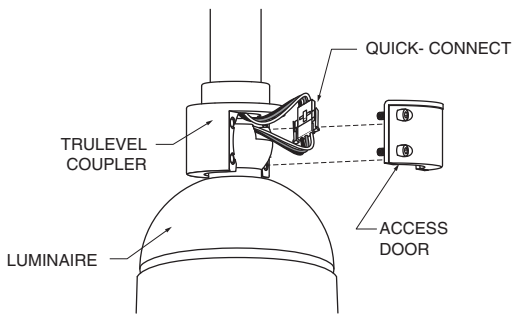


1. LOOSEN (4) CAPTIVE SCREWS AND REMOVE ACCESS DOOR FROM TRULEVEL COUPLER, PULL OUT QUICK-CONNECT FROM TRULEVEL COUPLER AND TRULEVEL BALL. PRESS OPEN END OF WIRE PLUG AROUND QUICK CONNECT WIRES.

SLIDE WIRE PLUG DOWN THE WIRES AND INTO TRULEVEL BALL OPENING, PRESS NEOPRENE FIRMLY INTO OPENING TO PREVENT MOISTURE AND OTHER CONTAMINANTS FROM ENTERING LUMINAIRE ASSEMBLY.

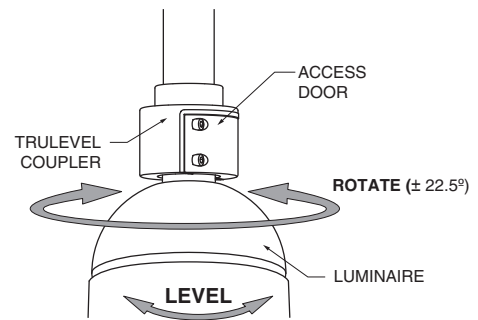


2. PLACE TRULEVEL BALL INSIDE OF TRULEVEL COUPLER AS ILLUSTRATED.
 - A - NOTCHED SECTION OF BALL MUST FACE OUTWARDS AS ILLUSTRATED.
 - B - FLAT SECTION OF BALL MUST FACE INWARDS



3. CONNECT "QUICK-CONNECT" COMPONENTS, PUSH COMPONENTS INSIDE OF TRULEVEL COUPLER CAVITY, REPLACE ACCESS DOOR AND LOOSELY SECURE, DO NOT TIGHTEN.

FIXTURE WILL SUSPEND WITHOUT ACCESS DOOR DURING INSTALLATION.



4. ROTATE (LEFT TO RIGHT ± 22.5°) AND LEVEL LUMINAIRE TO DESIRED POSITION. TIGHTEN ACCESS DOOR.

(TIGHTEN EACH BOLT TO RECOMENDED TORQUE: **10 FT-LB, FOOT-POUND**)

TRULEVEL PENDANT MOUNT IS INTENDED TO ALLOW FOR FIXTURE LEVELING, BUT IS NOT INTENDED TO BE "FREE-SWINGING" UPON PROPER INSTALLATION.

Spec/Order Example: XPB-2-180/RAL-8019-S

S P E C / O R D E R I N G I N F O R M A T I O N

CONFIGURATION

- | | | | | |
|---------------------------------|--------------------------------|------------------------------------|------------------------------------|-----------------------------------|
| <input type="checkbox"/> XPB-WM | <input type="checkbox"/> XPB-1 | <input type="checkbox"/> XPB-2-180 | <input type="checkbox"/> XPB-3-120 | <input type="checkbox"/> XPB-4-90 |
|---------------------------------|--------------------------------|------------------------------------|------------------------------------|-----------------------------------|

FINISH*

- | | | | | |
|--|--|---|--|--|
| <input type="checkbox"/> BLACK
RAL-9005-T | <input type="checkbox"/> WHITE
RAL-9003-T | <input type="checkbox"/> GREY
RAL-7004-T | <input type="checkbox"/> DARK BRONZE
RAL-8019-T | <input type="checkbox"/> GREEN
RAL-6005-T |
|--|--|---|--|--|

*STANDARD TEXTURED FINISH

FOR SMOOTH FINISH REPLACE SUFFIX "T" WITH SUFFIX "S"
(EXAMPLE: RAL-9005-S)

CONSULT FACTORY FOR CUSTOM COLORS

