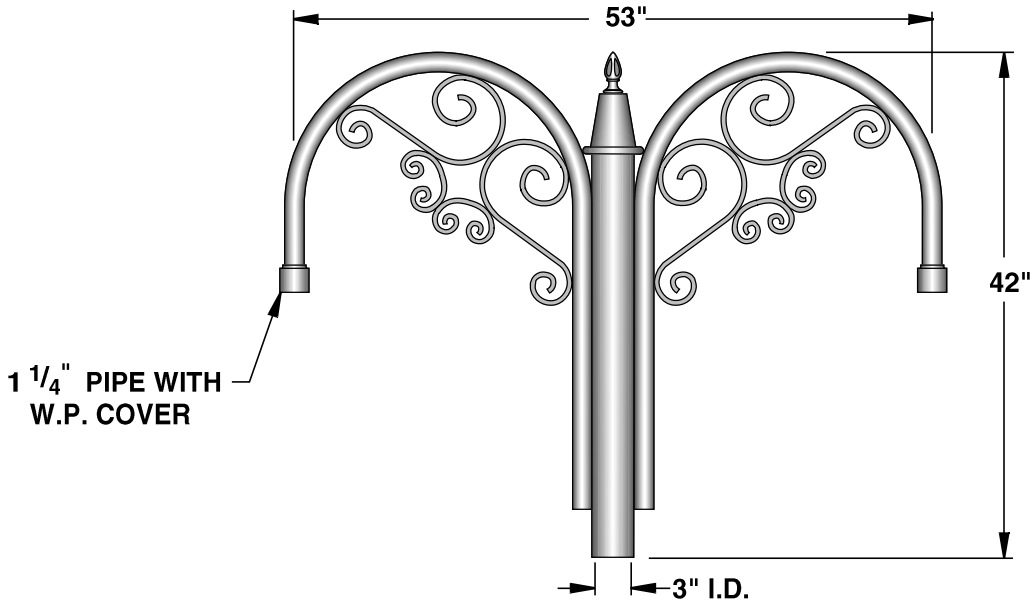
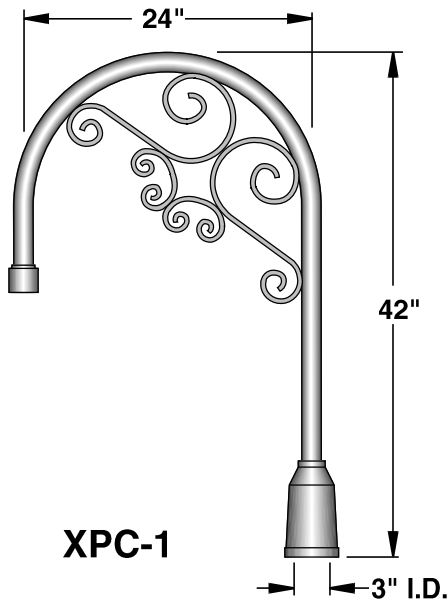


DURABLE CORROSION RESISTANT, CAST AND EXTRUDED ALUMINUM CONSTRUCTION.

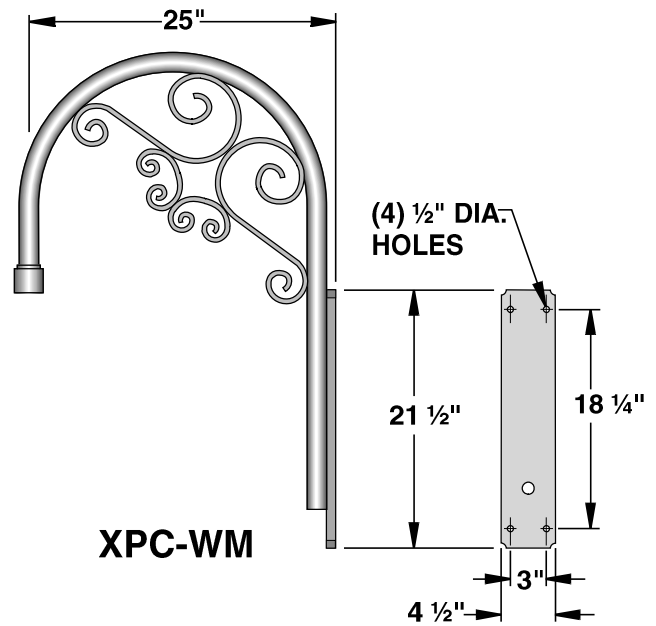


XPC-2-180

SCALE: 3/4"=1'-0"



XPC-1



XPC-WM

