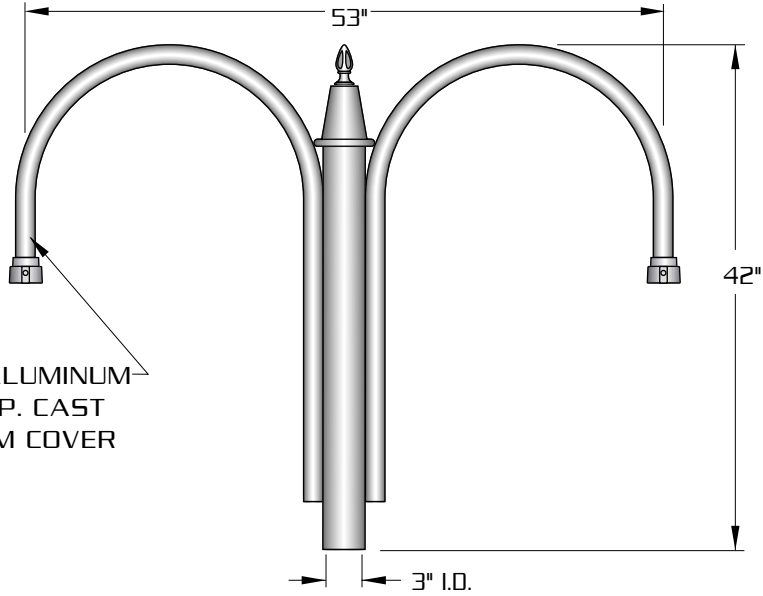


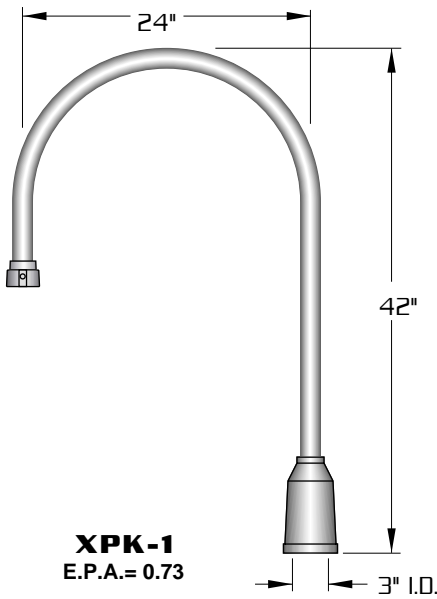
XPK



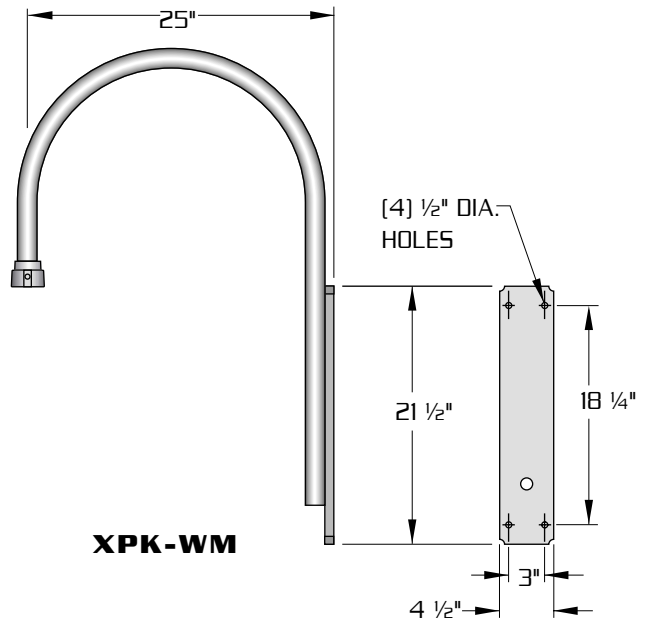
1⁵/₈" O.D. ALUMINUM
WITH W.P. CAST
ALUMINUM COVER

XPK-2-180
E.P.A.= 1.86

SCALE: 3/4"=1'-0"



XPK-1
E.P.A.= 0.73



XPK-WM



DURABLE CORROSION RESISTANT, CAST AND EXTRUDED ALUMINUM CONSTRUCTION.