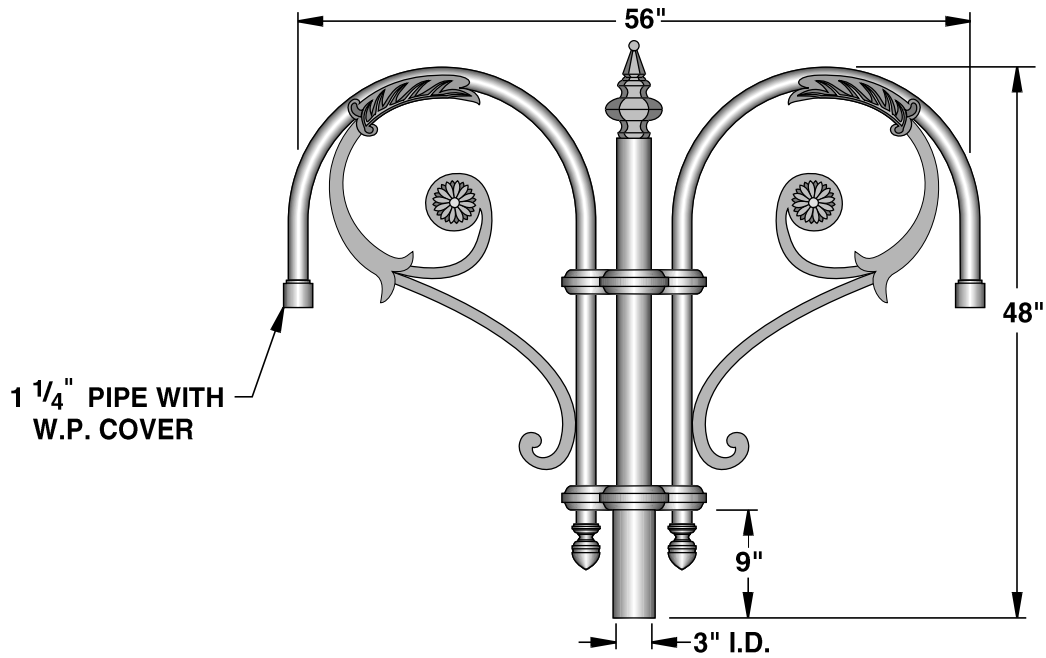
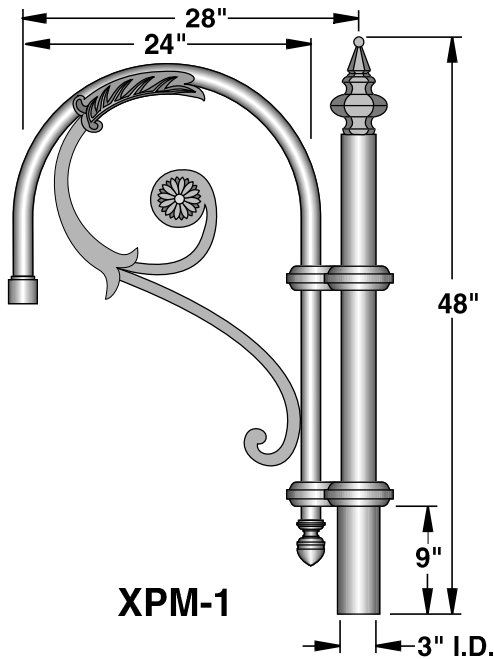


DURABLE CORROSION RESISTANT, CAST AND EXTRUDED ALUMINUM CONSTRUCTION.

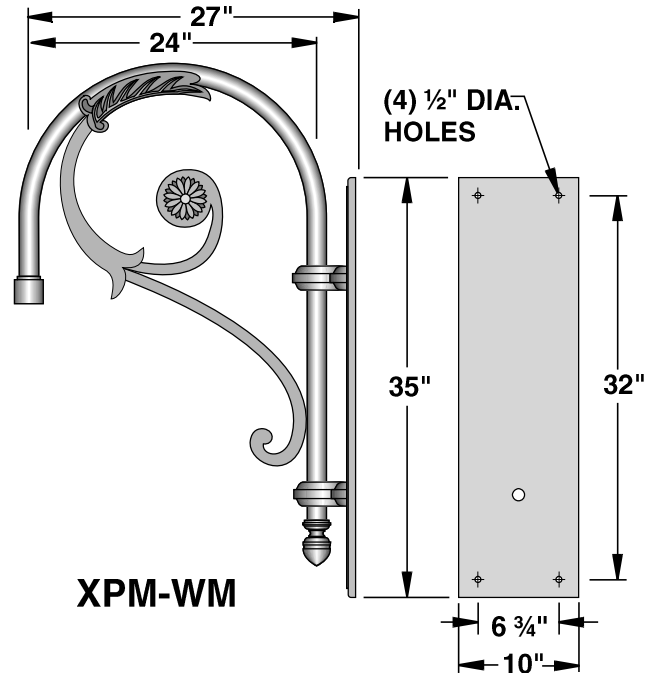


XPM-2-180

SCALE: 3/4"=1'-0"



XPM-1



XPM-WM

