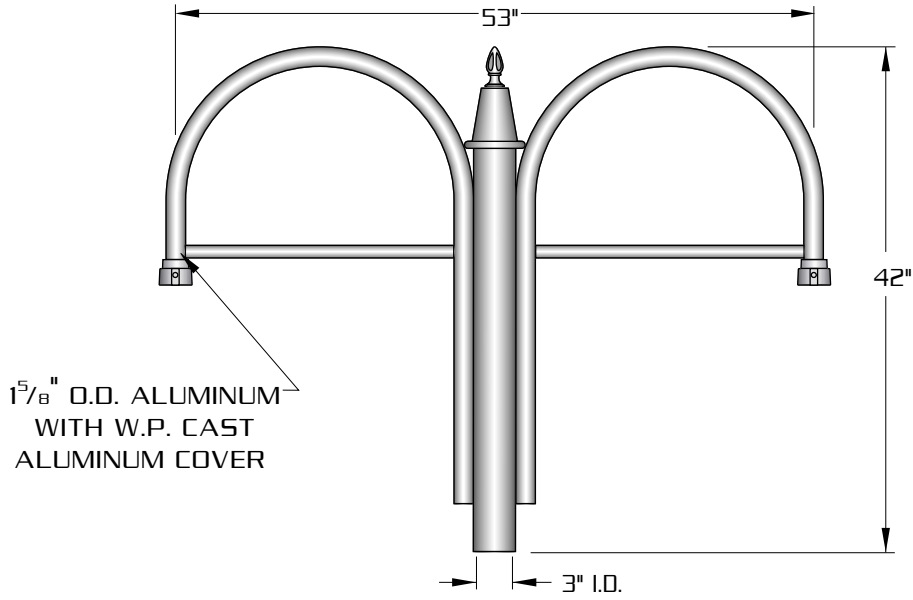
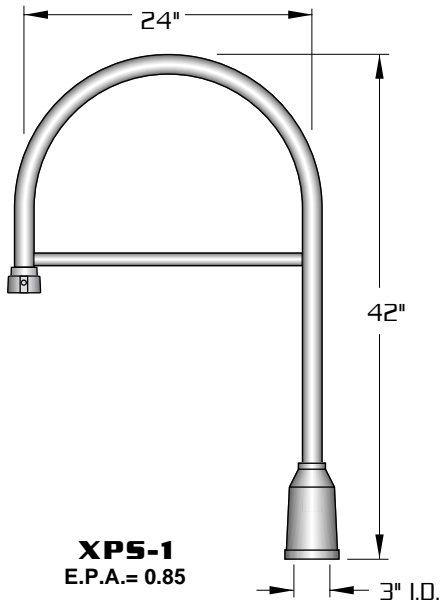


XPS

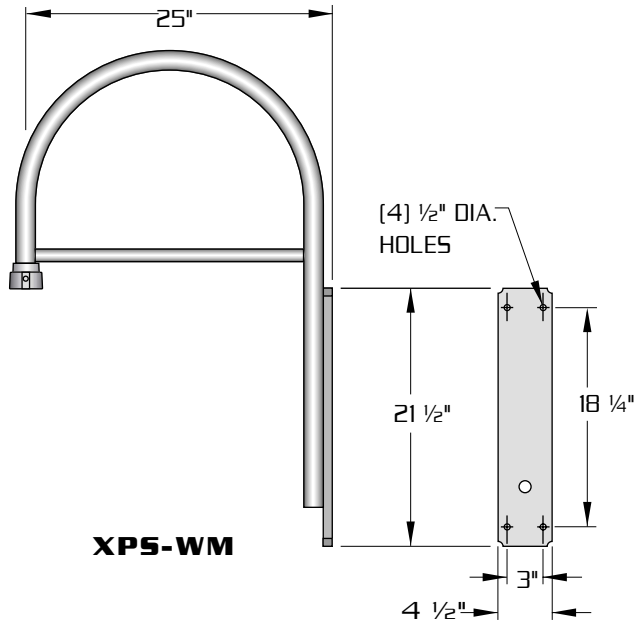


XPS-2-180
E.P.A.= 2.10

SCALE: 3/4"=1'-0"



XPS-1
E.P.A.= 0.85



XPS-WM



DURABLE CORROSION RESISTANT, CAST AND EXTRUDED ALUMINUM CONSTRUCTION.