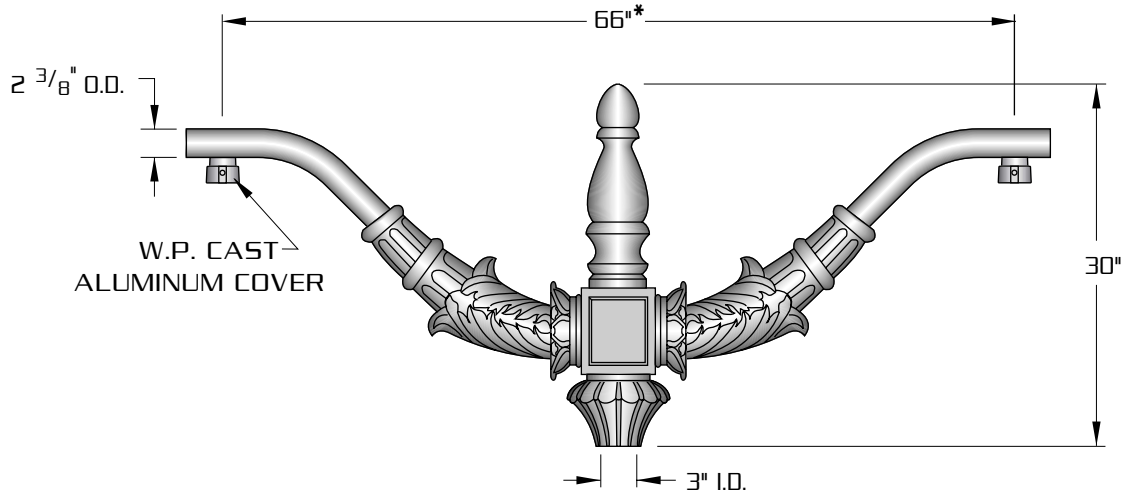
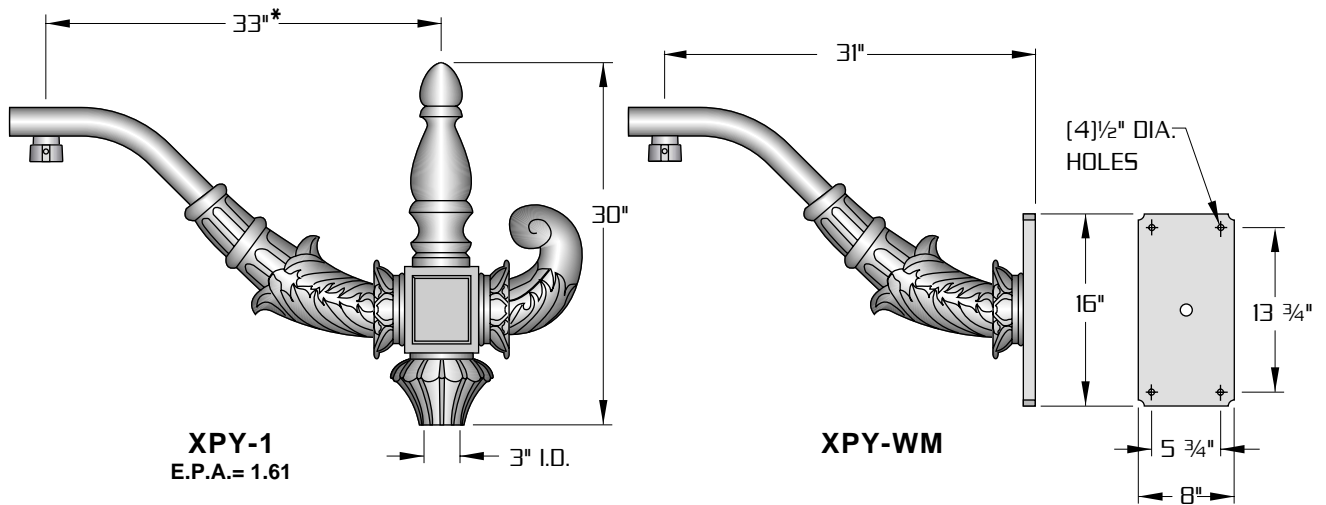


# X P Y



**XPY-2-180**  
E.P.A.= 2.36

SCALE: 3/4"=1'-0"



**XPY-1**  
E.P.A.= 1.61

**XPY-WM**

\*SINGLE ARM AVAILABLE TO 6'-0" MAX.



WM



1



2-180



3-90



4-90

**DURABLE CORROSION RESISTANT, CAST AND EXTRUDED ALUMINUM CONSTRUCTION.**