

SOLID STATE BOLLARDS

BDA8-HV SERIES-LED

SPECIFICATIONS

BOLLARD

Durable corrosion resistant extruded and cast aluminum construction. 1/4" wall thickness.

LED POWER ARRAY™

Three-dimensional array consisting of 6 individual LED tubes fastened to a retaining plate equally spaced to provide 360° of even illumination output. Each LED tube consists of a circuit board populated with a multiple of LED's which is fastened to a radial aluminum heat sink. A white polycarbonate lens and end caps protect each LED tube's internal components and provides diffusion to prevent shadowing and striations.

CAST LOUVER (CL) - External cast aluminum louver stack protects the internal LED Power Array Module and provides 180° of horizontal louvered illumination and 180° of vertical illumination. An internal clear polycarbonate lens is integrated with the LED Power Array Module.

LED EMITTERS

High Output LED's are driven at 350mA for nominal 1 Watt output each. 70CRI Minimum. LED's are available in standard Neutral White (4000K), or optional Cool White (5000K) or Warm White (3000K). Consult Factory for other LED options.

LED DRIVER

UL and CUL recognized Constant Current LED drivers operate on input voltages from 120-277VAC, 50/60hz. Consult Factory for (347-480VAC). Driver is mechanically fastened to a retaining bracket. Driver has a minimum 4KV of internal surge protection, 10KV & 20KV Surge Protector optional. Dimmable and High-Low Driver options available.

FINISH

Polyester powder coat incorporates four step iron phosphate process to pretreat metal surface for maximum adhesion. Top coat is baked at 400°F for maximum hardness and exterior durability.

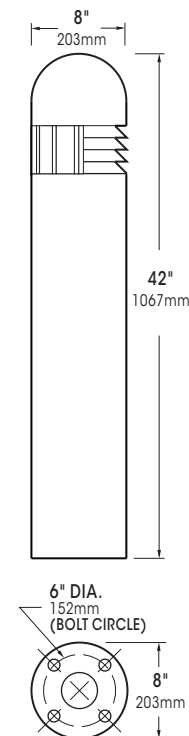
PROJECT NAME: _____

FIXTURE TYPE: _____



BDA8-HV

PATENT PENDING

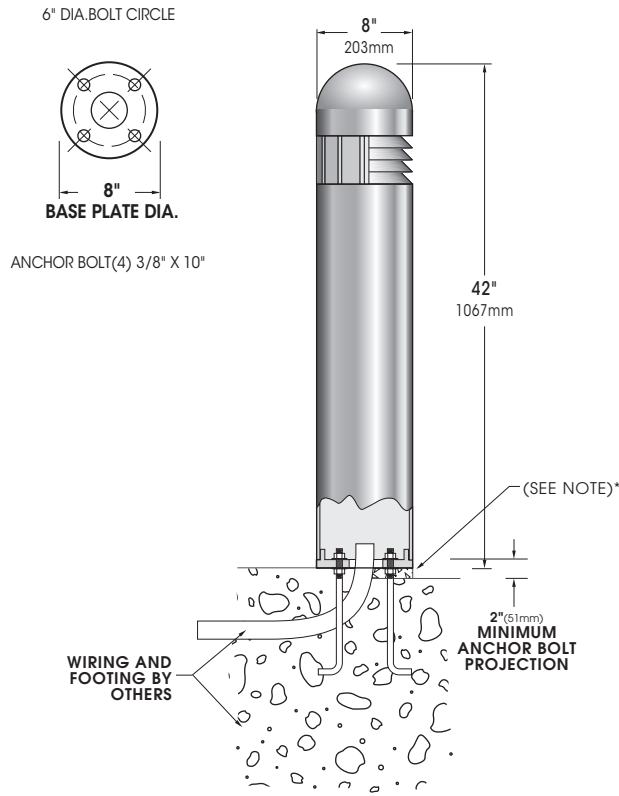


2013256

BDA8-HV SERIES-LED

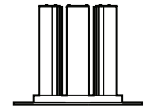
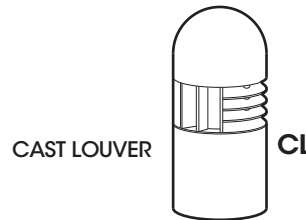
S P E C I F I C A T I O N S

WALL MOUNT



*When mounting in soil, anchor bolt fasteners and other hardware must be protected from soil by grouting.

LED MODULES



VPA - Vertical Array
Available in:
36 LED Max.

O R D E R I N G I N F O R M A T I O N

BOLLARD	OPTICS	# of LED's	COLOR	VOLTAGE	MOUNTING	FINISH	OPTIONS
<input type="checkbox"/> BDA8-HV-LED	VERTICAL POWER ARRAY <input type="checkbox"/> CAST LOUVER CL	# of LEDs <input type="checkbox"/> 36LED (42 Watts) <input type="checkbox"/> 24LED (28 Watts)	COLOR <input type="checkbox"/> NW (4000K) Standard <input type="checkbox"/> CW (5000K) <input type="checkbox"/> WW (3000K) OTHER LED COLORS AVAILABLE CONSULT FACTORY	VOLTAGE <input type="checkbox"/> 120 <input type="checkbox"/> 208 <input type="checkbox"/> 240 <input type="checkbox"/> 277 <input type="checkbox"/> 347 <input type="checkbox"/> 480	GROUND INSTALLATION	STANDARD TEXTURED FINISH <input type="checkbox"/> BLACK RAL-9005-T <input type="checkbox"/> WHITE RAL-9003-T <input type="checkbox"/> GREY RAL-7004-T <input type="checkbox"/> DARK BRONZE RAL-8019-T <input type="checkbox"/> GREEN RAL-6005-T FOR SMOOTH FINISH REMOVE SUFFIX "T" (EXAMPLE: RAL-9500) SEE USALTG.COM FOR ADDITIONAL COLORS	<input type="checkbox"/> DIMMABLE DRIVER (0-10V PROVIDED) DIM <input type="checkbox"/> HIGH-LOW DIMMING FOR HARDWIRED SWITCHING OR NONINTEGRATED MOTION SENSOR HLSW <input type="checkbox"/> INTERNAL HOUSE SIDE SHIELD HS <input type="checkbox"/> DUPLEX RECEPTACLE DUP <input type="checkbox"/> GROUND FAULT RECEPTACLE GFI <input type="checkbox"/> 10KV SURGE PROTECTOR 10SP <input type="checkbox"/> 20KV SURGE PROTECTOR (277V & 480V Only) 20SP OPTIONAL HEIGHTS: <input type="checkbox"/> 30" <input type="checkbox"/> 36"