

AREA & ROADWAY LIGHTING

PROJECT NAME: _____

PROJECT TYPE: _____

MISSION REVIVAL BELL

Luminaire

Upper part of housing is heavy gauge cast aluminum (min. .125" wall; alloy >0.2% Cu for MRL25) or spun aluminum with reveal (.125" min. wall for MRL20). Bottom part of housing is 0.080" thick spun aluminum with integrated LED module seat and is vented for convective cooling of LED module. Top Driver chamber is barriered from LED Module chamber. Trulevel ball coupling mount is welded to housing and facilitates quick leveling and installation.

PLED™ Optics

Emitters (LED's) are arrayed on a metal core PCB panel with each emitter located on a copper thermal transfer pad and enclosed by an LED refractor. LED optics completely seal each individual emitter to meet an IP66 rating. In asymmetric distributions, a micro-reflector inside the refractor re-directs the house side emitter output towards the street side, maximizing usable light. Optional house side shields are available that cover each individual optic. Refractors are injection molded H12 acrylic. Each LED refractor is sealed to the PCB over an emitter and all refractors are retained by an aluminum frame. Any one Panel, or group of Panels in a luminaire, have the same optical pattern. LED refractors produce standard site/area distributions. Panels are field replaceable and field rotatable in 90° increments. Quick-disconnects are provided above each panel for fast field replacement. All optical options provide a "U0" no uplight optical package.

LED Emitters

High Power White LED's are driven between 350mA and 875mA for a maximum output of 2.5 Watts nominal. LED's are available in standard Neutral White (4000K), Cool White (5000K), or Warm White (2700K & 3000K). All Standard LED's have a minimum of 70 CRI. Consult Factory for other LED options. Lumen Maintenance of L94 at 60,000 hours (TM-21 calculated at 6x Test Time).

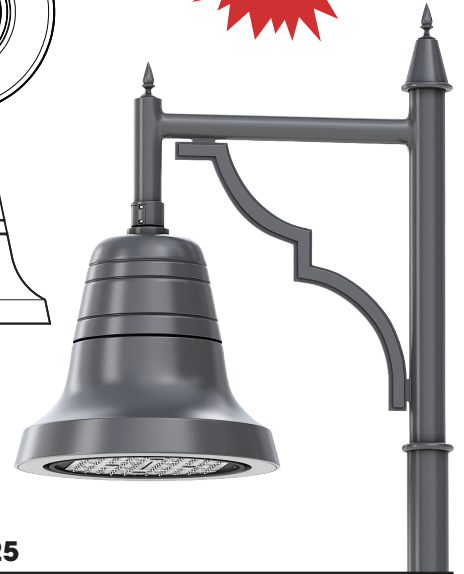
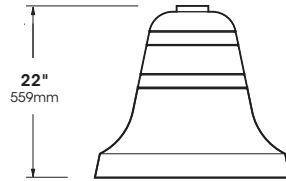
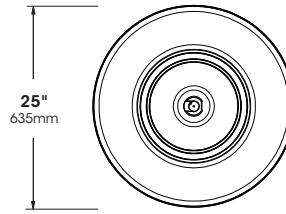
True Amber LED's TRA-True Amber LED's emit light in the amber spectral bandwidth centered on 585-590nm. True Amber has negligible blue light and is suitable for wildlife.

LED Driver

Constant current electronic with a power factor of >.90 and a minimum operating temperature of -40°F/-40°C. Driver(s) is/are UL and cUL recognized. In-line terminal blocks facilitate wiring between the driver and optical arrays. Drivers accept an input of 120-277V, 50/60Hz or 347V-480V, 50,60Hz. (0 - 10V dimmable driver is standard. Driver has a minimum of 3KV internal surge protection. Luminaire supplied with 20KV surge protector for field installation.)

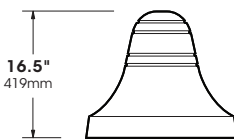
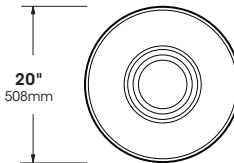
Finish

Polyester powder coat incorporates four step iron phosphate process to pretreat metal surface for maximum adhesion. Top coat is baked at 400°F for maximum hardness and exterior durability.



MRL25

(Shown w/ XMI arm)



MRL20

(Shown w/ XCR arm)

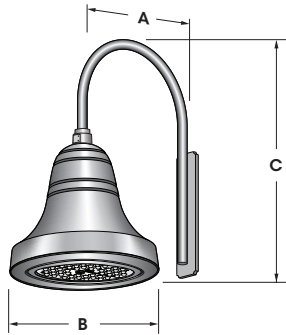


2022132

MRL SERIES - LED

SPECIFICATIONS

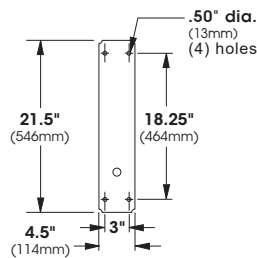
WALL MOUNT



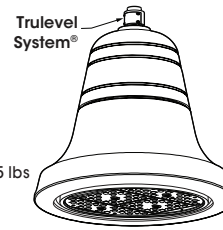
Fixture	A	B	C
MRL25	25.5" (648mm)	25" 635mm	42.75" 1086mm
MRL20	25.5" (648mm)	20" 508mm	37.25" 946mm

Extruded aluminum arm and cast aluminum wall bracket assembly provided with built in gasketed wire access for fixture/supply wire connection.

Wall Plate



EPA & WEIGHT

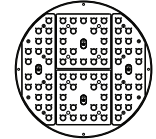


MRL25
Max Weight = 45 lbs
Max EPA = 1.62
80 LED Max

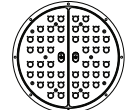


MRL20
Max Weight = 33 lbs
Max EPA = 0.96
48 LED Max

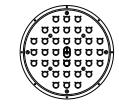
PLED™ MODULES



80 LED Module



48 LED Module



36 LED Module



20 LED Module

ORDERING INFORMATION

Spec/Order Example: MRL25/PLED-II/48LED-350mA/27K/347/3-90/RUST-S/TPR7

Luminaire	Optics	LED Mode			Voltage	Mounting	Finish	Options
Luminaire	Optics	LED			Voltage	Mounting	Finish	Options
	PLED™ Distribution Type	# of LEDs	Drive Current	Color Temp - CCT		Arm Mount	Standard Textured Finish	
<input type="checkbox"/> MRL25	<input type="checkbox"/> PLED-II	<input type="checkbox"/> 80LED ¹	<input type="checkbox"/> 875mA ²	<input type="checkbox"/> 27K (2700K)	<input type="checkbox"/> 120	<input type="checkbox"/> 1	<input type="checkbox"/> Black RAL-9005-T	<input type="checkbox"/> Stem Mount + Length(in) (48" Max) SM+L
<input type="checkbox"/> MRL20	<input type="checkbox"/> PLED-II-FR	<input type="checkbox"/> 48LED	<input type="checkbox"/> 700mA ²	<input type="checkbox"/> 30K (3000K)	<input type="checkbox"/> 208	<input type="checkbox"/> 2-180	<input type="checkbox"/> White RAL-9003-T	<input type="checkbox"/> Chain Mount + Length(in) (48" Max) CM+L
	<input type="checkbox"/> PLED-III	<input type="checkbox"/> 36LED	<input type="checkbox"/> 525mA	<input type="checkbox"/> 40K (4000K)	<input type="checkbox"/> 240	<input type="checkbox"/> 2-90	<input type="checkbox"/> Grey RAL-7004-T	<input type="checkbox"/> Internal House Side Shield inc. LED Count (Example: HS-PLED/48) HS-PLED
	<input type="checkbox"/> PLED-III-W	<input type="checkbox"/> 20LED	<input type="checkbox"/> 350mA	<input type="checkbox"/> 50K (5000K)	<input type="checkbox"/> 277	<input type="checkbox"/> 2-90	<input type="checkbox"/> Dark Bronze RAL-8019-T	<input type="checkbox"/> Twist Lock Receptacle Only TPR
	<input type="checkbox"/> PLED-IV			<input type="checkbox"/> TRA True Amber ²	<input type="checkbox"/> 347	<input type="checkbox"/> 3-90	<input type="checkbox"/> Green RAL-6005-T	<input type="checkbox"/> 7-Pin Twist Lock Receptacle Only TPR7
	<input type="checkbox"/> PLED-IV-FT				<input type="checkbox"/> 480	<input type="checkbox"/> 3-120		<input type="checkbox"/> High-Low Dimming for Switch by Others/Select Levels 50/100 or 25/100 (Example: HLSW/25) HLSW
	<input type="checkbox"/> PLED-VSQ-N					<input type="checkbox"/> 4-90	Premium Finishes	<input type="checkbox"/> Photo Cell + Voltage (Example: PC120V) PC+V
	<input type="checkbox"/> PLED-V-SQ-M					<input type="checkbox"/> Wall Mount	<input type="checkbox"/> Rust	<input type="checkbox"/> Single Fuse (120V, 277V) SF
	<input type="checkbox"/> PLED-V-SQ-W					<input type="checkbox"/> WM	<input type="checkbox"/> Patina Copper PC	<input type="checkbox"/> Double Fuse (208V, 240V) DF
							For smooth finish replace suffix "T" with suffix "S" (Example: RAL-9500-S)	<input type="checkbox"/> Blue-Tooth Programmable Photo/Motion Sensor (Factory - Motion 50/100; Photo 75c) MS-F311
							Consult factor for custom colors	

MRL SERIES - LED

SAMPLE ASSEMBLIES

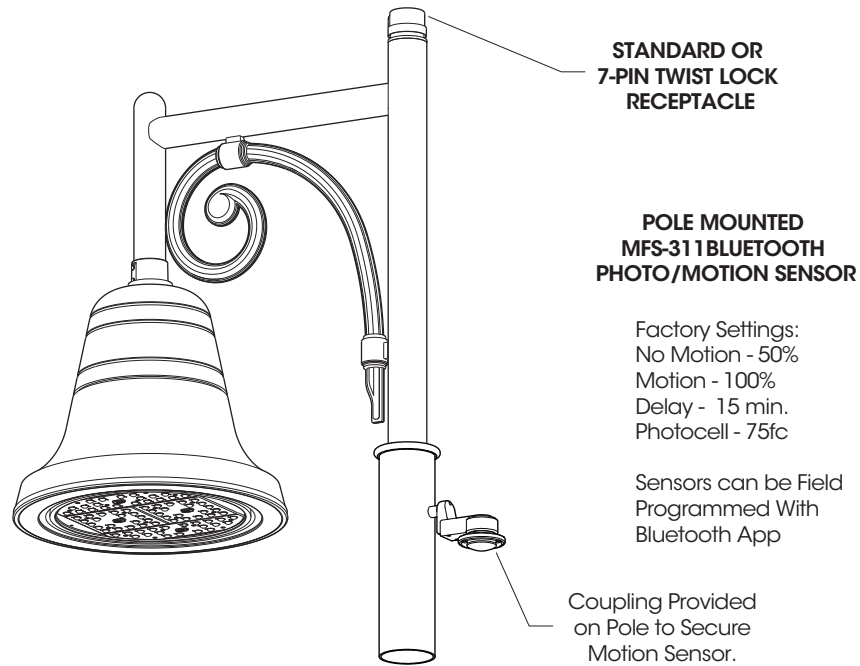


- A. 4-1060-11'/XPO-1/MRL20/LED/ACCESSORIES/FINISH
- B. 11-1035T-15'/XMI-1/MRL25/LED/ACCESSORIES/FINISH
- C. 44-1050C-16'/XCR-2-180/MRL25/LED/ACCESSORIES/FINISH
- D. 85-1050-13'/XPH/MRL25/LED/ACCESSORIES/FINISH
- E. WM-XPJ/MRL20/LED/ACCESSORIES/FINISH

Sample Assemblies show a small offering of the Sun Valley Line of Poles, Bases, Shafts, Arms, & Luminaires. Please visit usalight.com for the full product offering.

MRL SERIES - LED

OPTIONS



High Low Dimming For Switches (HLSW)

The HLSW is a Small Electronic Switch which Provides High Low Dimming Control Through the LED Driver's 0-10V Control. Switching is Done by Adding a Secondary AC Switched Hot Trigger Line to the HLSW in Addition to the Normal AC Power Line. When the Secondary Trigger Line is Powered, the Fixture will go to 100% Dimming. With no Power to the Trigger, the Fixture will operate at 50% or 25% Dimming. Switches for the Trigger Line can be a Normal AC Switch/Breaker or Timed Switch/Breaker.

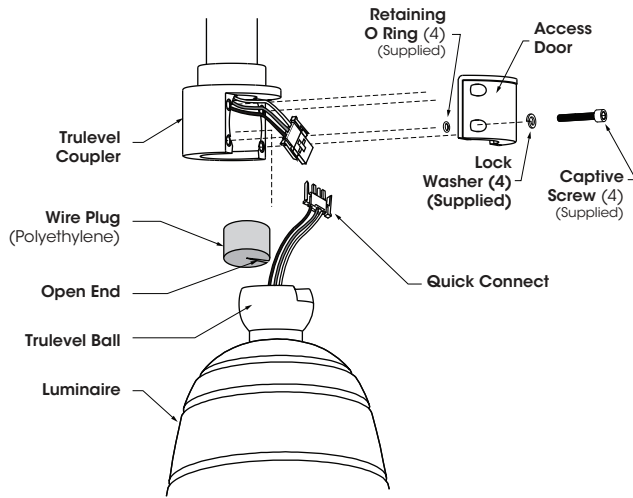
Wireless and Other Fixture Controls

Contact Factory for Wireless and Other Fixture Controls and Recommendations. Most Controls Can be Integrated and Factory Installed.

MRL SERIES - LED

INSTALLATION DETAIL

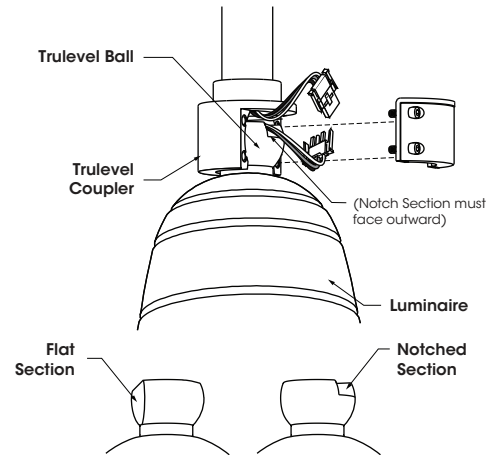
Trulevel System® Assembly for Installation of Pendant Mount Luminaires



1. Loosen (4) Captive Screws and remove Access Door from Trulevel Coupler, pull out Quick Connect from Trulevel Coupler and Trulevel Ball.

Press open end of Wire Plug around Quick Connect wires.

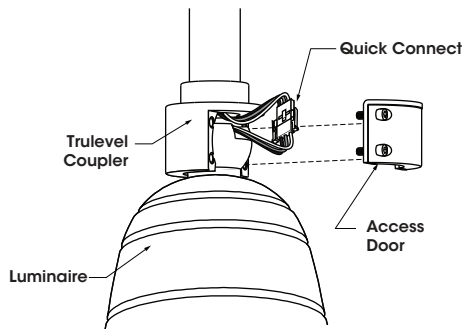
Slide Wire Plug down the wires and into Trulevel Ball opening, press Neoprene firmly into opening to prevent moisture and other contaminants from entering Luminaire Assembly.



2. Place Trulevel Ball inside of Trulevel Coupler as illustrated.

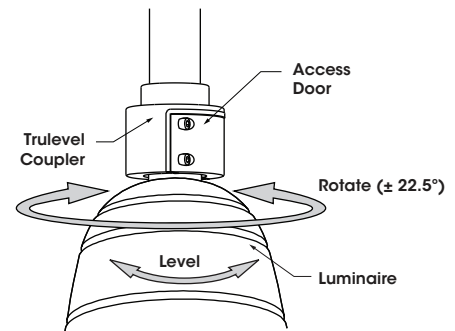
A - Notched Section of Trulevel Ball must face outward as illustrated.

B - Flat Section of Trulevel Ball must face inward.



3. Connect Quick Connect components, push components inside of Trulevel Coupler cavity, replace Access Door and loosely secure, do not tighten.

Fixture will suspend without Access Door during installation.



4. Rotate (left to right $\pm 22.5^\circ$) and level Luminaire to desired position. Tighten Access Door.

(Tighten each bolt to recommended torque: **10 ft-lb, foot-pound**)

Trulevel Pendant Mount is intended to allow for fixture leveling, but is not intended to be "free-swinging" upon proper installation.

MRL SERIES - LED

ELECTRICAL DATA GUIDE - AMPERAGE CHART

# of LED's	mA	System Watts	120V	208V	277V	347V	480V
20	350	22.0	0.18	0.11	0.08	0.06	0.05
20	525	33.0	0.28	0.16	0.12	0.10	0.07
20	700	44.0	0.37	0.21	0.16	0.13	0.09
20	875	55.0	0.46	0.26	0.20	0.16	0.11
36	350	39.6	0.33	0.19	0.14	0.11	0.08
36	525	59.4	0.50	0.29	0.21	0.17	0.12
36	700	79.2	0.66	0.38	0.29	0.23	0.17
36	875	99.0	0.83	0.48	0.36	0.29	0.21
48	350	52.8	0.44	0.25	0.19	0.15	0.11
48	525	79.2	0.66	0.38	0.29	0.23	0.17
48	700	105.6	0.88	0.51	0.38	0.30	0.22
48	875	132.0	1.10	0.63	0.48	0.38	0.28
80	350	88.0	0.73	0.42	0.32	0.25	0.18
80	525	132.0	1.10	0.63	0.48	0.38	0.28
80	700	174.0	1.45	0.84	0.63	0.50	0.36
80	875	220.0	1.83	1.06	0.79	0.63	0.46

PHOTOMETRIC DATA GUIDE - LM-80 LUMEN MAINTENANCE

LED Life / Operating Hours	Lumen Depreciation	Lumen Depreciation Scale Factor
60,000 (10x Test Time Calculated)	L94	0.94x
100,000 (Theoretical Calculated)	L92	0.92x
150,000 (Theoretical Calculated)	L89	0.89x

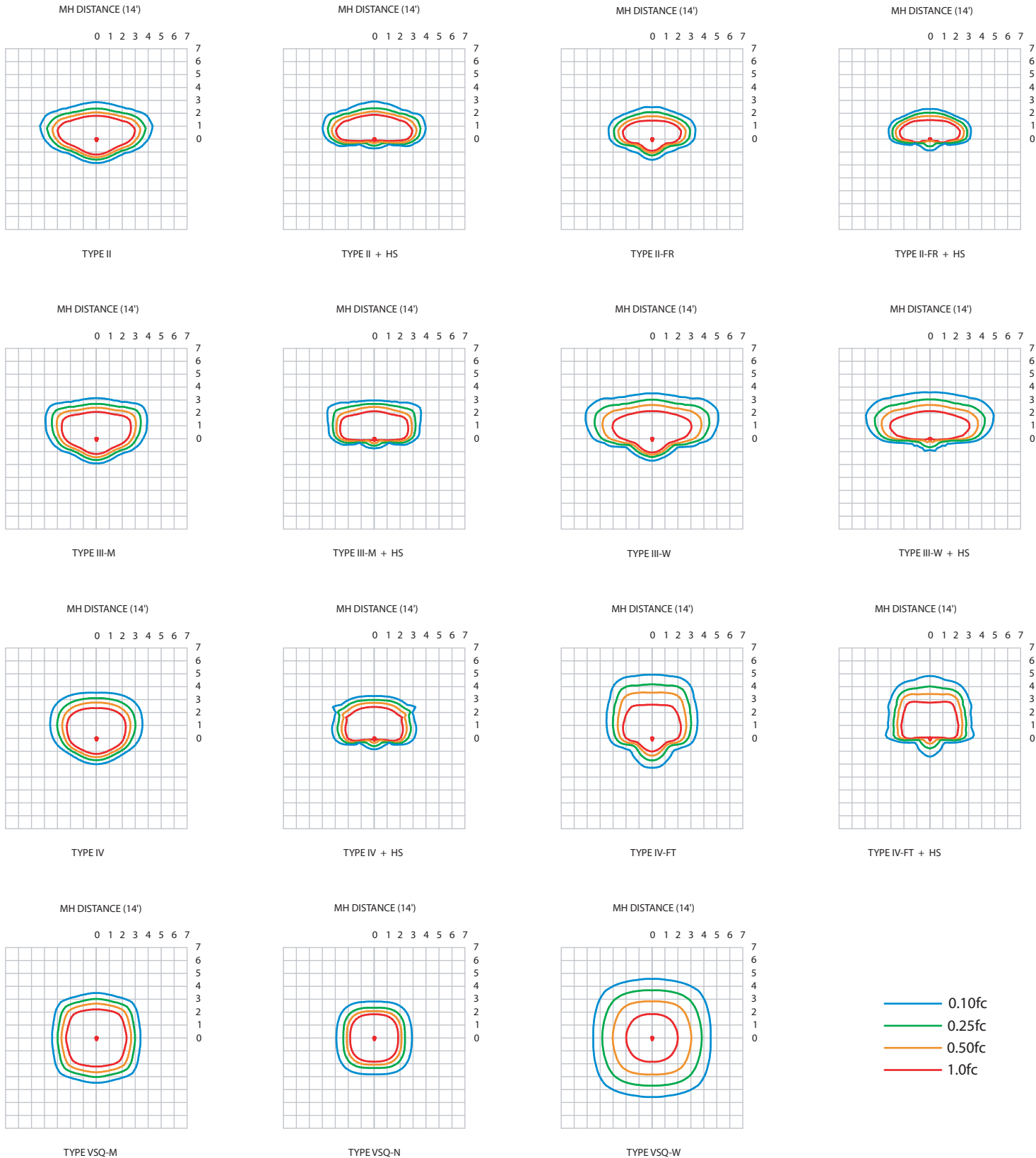
Lumen Depreciation Calculations Done in Accordance With IESNA TM-21 & LM-80 (25°C Ambient)

TM-21 6x Test Time Dictates that L94 > 60,000 Hours.

MRL SERIES - LED

PHOTOMETRIC DATA GUIDE - ISOFOOTCANDLE TEMPLATES

MRL20-PLD-NL-36LED-700mA-40K - 14' Pole Height

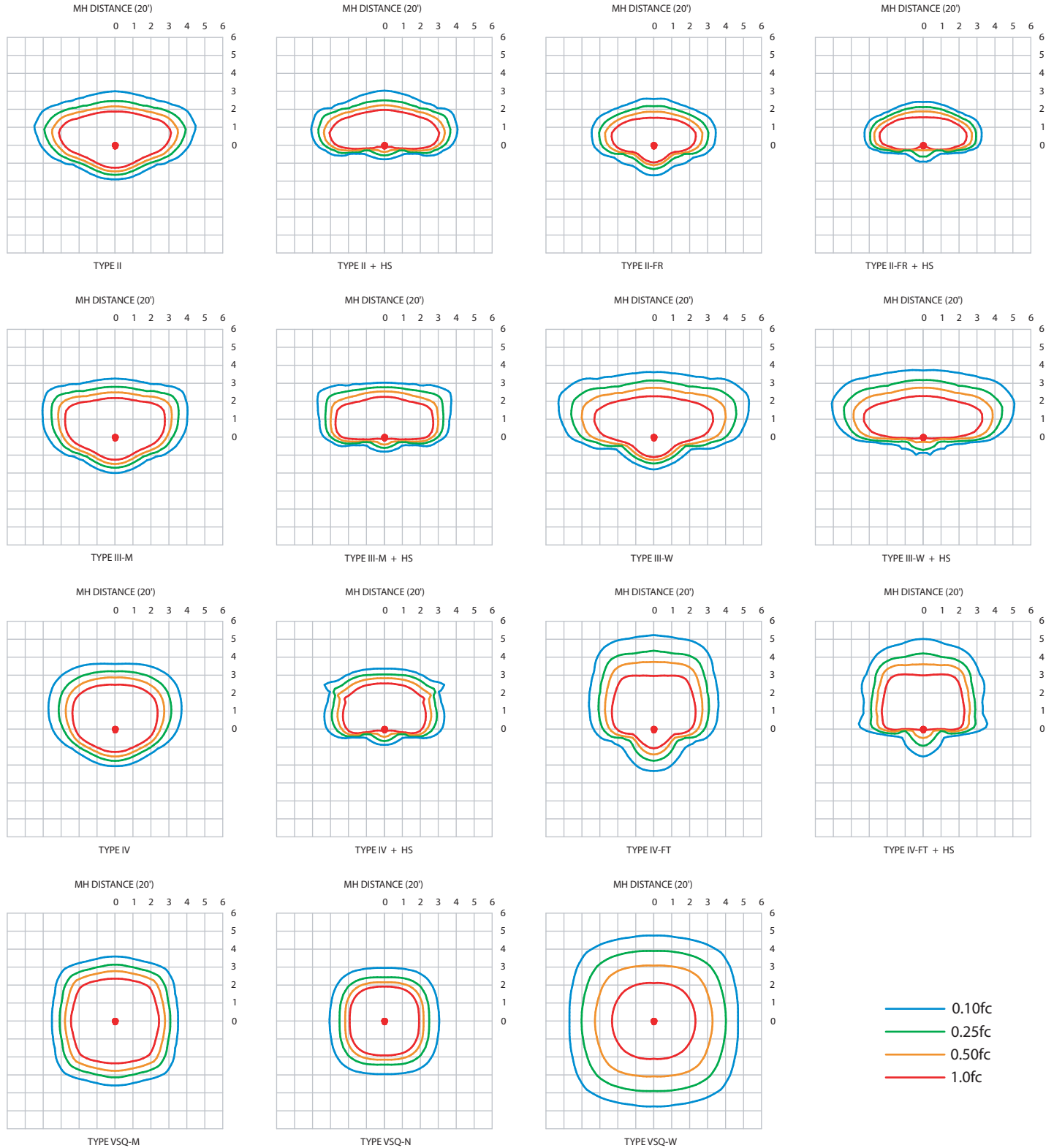


IES File downloads for this product can be found at www.usaltg.com/downloads/asr.html

MRL SERIES - LED

PHOTOMETRIC DATA GUIDE - ISOFOOTCANDLE TEMPLATES

MRL-PLED-80LED-700mA-40K - 20' Pole Height



IES File downloads for this product can be found at www.usaltg.com/downloads/asr.html

MRL SERIES - LED

PHOTOMETRIC GUIDE - LUMEN TABLES (MRL20-PLED)

MRL20-PLED																			
LED Count	Drive Current (mA)	System Watts	Dist'n Type	27K (2700K - 70CRI)			30K (3000K - 70CRI)			40K (4000K - 70CRI)			50K (5000K - 70CRI)			System Watts	TRA (590nm)		
				LUMENS	LPW	BUG RATING	LUMENS	LPW	BUG RATING	LUMENS	LPW	BUG RATING	LUMENS	LPW	BUG RATING		LUMENS	LPW	BUG RATING
20	350	21.9	II	2719	124	B1-U0-G1	2935	134	B1-U0-G1	3090	141	B1-U0-G1	3244	148	B1-U0-G1	17.1	1007	59	B0-U0-G0
			II-FR	2737	125	B1-U0-G1	2955	135	B1-U0-G1	3111	142	B1-U0-G1	3266	149	B1-U0-G1		1014	59	B0-U0-G0
			III-M	2767	126	B1-U0-G1	2987	136	B1-U0-G1	3144	144	B1-U0-G1	3301	151	B1-U0-G1		1025	60	B0-U0-G0
			III-W	2569	117	B1-U0-G1	2773	127	B1-U0-G1	2919	133	B1-U0-G1	3065	140	B1-U0-G1		952	56	B0-U0-G1
			IV	2746	125	B1-U0-G1	2964	135	B1-U0-G1	3120	142	B1-U0-G1	3276	150	B1-U0-G1		1017	59	B0-U0-G0
			IV-FT	2501	114	B1-U0-G1	2700	123	B1-U0-G1	2842	130	B1-U0-G1	2984	136	B1-U0-G1		926	54	B0-U0-G1
			VSQ-N	2870	131	B1-U0-G0	3098	141	B1-U0-G0	3262	149	B2-U0-G0	3424	156	B2-U0-G0		1063	62	B1-U0-G0
			VSQ-M	2814	129	B2-U0-G1	3038	139	B2-U0-G1	3198	146	B2-U0-G1	3358	153	B2-U0-G1		1043	61	B1-U0-G0
			VSQ-W	2747	125	B2-U0-G1	2966	135	B2-U0-G1	3122	143	B2-U0-G1	3278	150	B2-U0-G1		1018	60	B1-U0-G1
			II-HS	1989	91	B0-U0-G1	2147	98	B0-U0-G1	2260	103	B0-U0-G1	2372	108	B0-U0-G1		737	43	B0-U0-G0
			II-FR-HS	2023	92	B0-U0-G0	2184	100	B0-U0-G0	2299	105	B0-U0-G0	2413	110	B0-U0-G0		749	44	B0-U0-G0
			III-M-HS	2012	92	B0-U0-G1	2172	99	B0-U0-G1	2286	104	B0-U0-G1	2400	110	B0-U0-G1		745	44	B0-U0-G0
			III-W-HS	1969	90	B0-U0-G1	2126	97	B0-U0-G1	2238	102	B0-U0-G1	2349	107	B0-U0-G1		730	43	B0-U0-G1
			IV-HS	2078	95	B0-U0-G1	2243	102	B0-U0-G1	2361	108	B0-U0-G1	2479	113	B0-U0-G1		770	45	B0-U0-G0
			IV-FT-HS	1964	90	B0-U0-G1	2120	97	B0-U0-G1	2232	102	B0-U0-G1	2343	107	B0-U0-G1		727	43	B0-U0-G1
			20	525	32.9	II	3866	118	B1-U0-G1	4173	127	B1-U0-G1	4393	134	B1-U0-G1		4613	140	B1-U0-G1
II-FR	3892	118				B1-U0-G1	4201	128	B1-U0-G1	4423	134	B1-U0-G1	4644	141	B1-U0-G1	1177	46	B0-U0-G0	
III-M	3934	120				B1-U0-G1	4247	129	B1-U0-G1	4470	136	B1-U0-G1	4693	143	B1-U0-G1	1189	46	B0-U0-G0	
III-W	3653	111				B1-U0-G1	3943	120	B1-U0-G2	4151	126	B1-U0-G2	4358	132	B1-U0-G2	1104	43	B0-U0-G1	
IV	3904	119				B1-U0-G1	4215	128	B1-U0-G1	4437	135	B1-U0-G1	4658	142	B1-U0-G1	1180	46	B0-U0-G0	
IV-FT	3557	108				B1-U0-G1	3839	117	B1-U0-G1	4042	123	B1-U0-G1	4243	129	B1-U0-G2	1075	42	B0-U0-G1	
VSQ-N	4080	124				B2-U0-G0	4405	134	B2-U0-G1	4637	141	B2-U0-G1	4868	148	B2-U0-G1	1233	48	B1-U0-G0	
VSQ-M	4001	122				B2-U0-G1	4320	131	B3-U0-G1	4547	138	B3-U0-G1	4774	145	B3-U0-G1	1209	47	B1-U0-G0	
VSQ-W	3906	119				B3-U0-G1	4216	128	B3-U0-G2	4439	135	B3-U0-G2	4660	142	B3-U0-G2	1181	46	B1-U0-G1	
II-HS	2828	86				B0-U0-G1	3053	93	B0-U0-G1	3213	98	B0-U0-G1	3373	103	B0-U0-G1	855	33	B0-U0-G0	
II-FR-HS	2876	87				B0-U0-G0	3105	94	B0-U0-G0	3268	99	B0-U0-G1	3431	104	B0-U0-G1	869	34	B0-U0-G0	
III-M-HS	2861	87				B0-U0-G1	3088	94	B0-U0-G1	3250	99	B0-U0-G1	3412	104	B0-U0-G1	865	34	B0-U0-G0	
III-W-HS	2800	85				B0-U0-G1	3023	92	B0-U0-G1	3182	97	B0-U0-G1	3341	102	B0-U0-G1	846	33	B0-U0-G1	
IV-HS	2955	90				B0-U0-G1	3189	97	B0-U0-G1	3357	102	B0-U0-G1	3525	107	B0-U0-G1	893	35	B0-U0-G0	
IV-FT-HS	2792	85				B0-U0-G1	3014	92	B0-U0-G1	3173	96	B0-U0-G2	3331	101	B0-U0-G2	844	33	B0-U0-G1	
20	700	43.8				II	4863	111	B1-U0-G1	5249	120	B1-U0-G1	5526	126	B1-U0-G1	5802	132	B2-U0-G1	N/A
			II-FR	4895	112	B1-U0-G1	5285	121	B1-U0-G1	5563	127	B1-U0-G1	5841	133	B2-U0-G1				
			III-M	4948	113	B1-U0-G1	5341	122	B1-U0-G1	5622	128	B1-U0-G1	5904	135	B1-U0-G2				
			III-W	4594	105	B1-U0-G2	4959	113	B1-U0-G2	5220	119	B1-U0-G2	5481	125	B1-U0-G2				
			IV	4911	112	B1-U0-G1	5301	121	B1-U0-G1	5580	127	B1-U0-G1	5859	134	B1-U0-G2				
			IV-FT	4473	102	B1-U0-G2	4829	110	B1-U0-G2	5083	116	B1-U0-G2	5337	122	B1-U0-G2				
			VSQ-N	5132	117	B2-U0-G1	5540	126	B2-U0-G1	5832	133	B2-U0-G1	6123	140	B2-U0-G1				
			VSQ-M	5033	115	B3-U0-G1	5433	124	B3-U0-G1	5719	131	B3-U0-G1	6004	137	B3-U0-G1				
			VSQ-W	4913	112	B3-U0-G2	5303	121	B3-U0-G2	5582	127	B3-U0-G2	5861	134	B3-U0-G2				
			II-HS	3557	81	B0-U0-G1	3839	88	B0-U0-G1	4041	92	B0-U0-G1	4243	97	B0-U0-G1				
			II-FR-HS	3618	83	B0-U0-G1	3905	89	B0-U0-G1	4111	94	B0-U0-G1	4316	99	B0-U0-G1				
			III-M-HS	3598	82	B0-U0-G1	3883	89	B0-U0-G1	4088	93	B0-U0-G1	4292	98	B0-U0-G2				
			III-W-HS	3522	80	B0-U0-G1	3802	87	B0-U0-G2	4002	91	B0-U0-G2	4202	96	B0-U0-G2				
			IV-HS	3716	85	B0-U0-G1	4012	92	B0-U0-G1	4223	96	B0-U0-G1	4433	101	B0-U0-G1				
			IV-FT-HS	3512	80	B0-U0-G2	3791	87	B0-U0-G2	3991	91	B0-U0-G2	4190	96	B0-U0-G2				
			20	875	55.8	II	5842	105	B2-U0-G1	6307	113	B2-U0-G2	6639	119	B2-U0-G2	6971	125	B2-U0-G2	
II-FR	5881	105				B2-U0-G1	6349	114	B2-U0-G1	6683	120	B2-U0-G1	7017	126	B2-U0-G1				
III-M	5945	107				B1-U0-G2	6417	115	B2-U0-G2	6755	121	B2-U0-G2	7093	127	B2-U0-G2				
III-W	5519	99				B1-U0-G2	5958	107	B1-U0-G2	6272	112	B1-U0-G2	6585	118	B1-U0-G2				
IV	5900	106				B1-U0-G2	6369	114	B2-U0-G2	6705	120	B2-U0-G2	7040	126	B2-U0-G2				
IV-FT	5375	96				B1-U0-G2	5802	104	B1-U0-G2	6108	109	B1-U0-G2	6413	115	B1-U0-G2				
VSQ-N	6167	111				B2-U0-G1	6657	119	B2-U0-G1	7008	126	B2-U0-G1	7358	132	B2-U0-G1				
VSQ-M	6046	108				B3-U0-G1	6527	117	B3-U0-G1	6871	123	B3-U0-G1	7215	129	B3-U0-G1				
VSQ-W	5902	106				B3-U0-G2	6372	114	B3-U0-G2	6707	120	B3-U0-G2	7043	126	B3-U0-G2				
II-HS	4273	77				B0-U0-G1	4612	83	B1-U0-G1	4855	87	B1-U0-G2	5098	91	B1-U0-G2				
II-FR-HS	4346	78				B0-U0-G1	4692	84	B0-U0-G1	4939	89	B0-U0-G1	5186	93	B0-U0-G1				
III-M-HS	4323	77				B0-U0-G2	4666	84	B0-U0-G2	4912	88	B0-U0-G2	5157	92	B0-U0-G2				
III-W-HS	4231	76				B0-U0-G2	4567	82	B0-U0-G2	4808	86	B0-U0-G2	5048	90	B0-U0-G2				
IV-HS	4465	80				B0-U0-G1	4820	86	B0-U0-G2	5074	91	B0-U0-G2	5327	95	B0-U0-G2				
IV-FT-HS	4220	76				B0-U0-G2	4555	82	B0-U0-G2	4795	86	B0-U0-G2	5035	90	B0-U0-G2				

IES File downloads for this product can be found at www.usaltg.com/downloads/asr.html

MRL SERIES - LED

MRL20-PLED																			
LED Count	Drive Current (mA)	System Watts	Dist'n Type	27K (2700K - 70CRI)			30K (3000K - 70CRI)			40K (4000K - 70CRI)			50K (5000K - 70CRI)			System Watts	TRA (590nm)		
				LUMENS	LPW	BUG RATING	LUMENS	LPW	BUG RATING	LUMENS	LPW	BUG RATING	LUMENS	LPW	BUG RATING		LUMENS	LPW	BUG RATING
36	350	39.4	II	4894	124	B1-U0-G1	5283	134	B1-U0-G1	5561	141	B1-U0-G1	5839	148	B2-U0-G1	30.8	1813	59	B1-U0-G1
			II-FR	4927	125	B1-U0-G1	5319	135	B1-U0-G1	5599	142	B1-U0-G1	5878	149	B2-U0-G1		1825	59	B1-U0-G0
			III-M	4980	126	B1-U0-G1	5376	136	B1-U0-G1	5659	144	B1-U0-G1	5942	151	B1-U0-G2		1845	60	B1-U0-G1
			III-W	4624	117	B1-U0-G2	4991	127	B1-U0-G2	5254	133	B1-U0-G2	5517	140	B1-U0-G2		1713	56	B0-U0-G1
			IV	4942	125	B1-U0-G1	5335	135	B1-U0-G1	5616	143	B1-U0-G1	5896	150	B1-U0-G2		1831	59	B1-U0-G1
			IV-FT	4502	114	B1-U0-G2	4860	123	B1-U0-G2	5116	130	B1-U0-G2	5371	136	B1-U0-G2		1668	54	B1-U0-G1
			VSQ-N	5166	131	B2-U0-G1	5577	142	B2-U0-G1	5871	149	B2-U0-G1	6164	156	B2-U0-G1		1914	62	B1-U0-G0
			VSQ-M	5065	129	B3-U0-G1	5469	139	B3-U0-G1	5756	146	B3-U0-G1	6044	153	B3-U0-G1		1877	61	B1-U0-G0
			VSQ-W	4945	125	B3-U0-G2	5338	135	B3-U0-G2	5619	143	B3-U0-G2	5899	150	B3-U0-G2		1832	59	B2-U0-G1
			II-HS	3580	91	B0-U0-G1	3864	98	B0-U0-G1	4068	103	B0-U0-G1	4271	108	B0-U0-G1		1326	43	B0-U0-G0
			II-FR-HS	3642	92	B0-U0-G1	3931	100	B0-U0-G1	4138	105	B0-U0-G1	4344	110	B0-U0-G1		1349	44	B0-U0-G0
			III-M-HS	3621	92	B0-U0-G1	3909	99	B0-U0-G1	4115	104	B0-U0-G1	4320	110	B0-U0-G2		1341	44	B0-U0-G0
			III-W-HS	3545	90	B0-U0-G2	3826	97	B0-U0-G2	4028	102	B0-U0-G2	4229	107	B0-U0-G2		1313	43	B0-U0-G1
			IV-HS	3740	95	B0-U0-G1	4037	102	B0-U0-G1	4250	108	B0-U0-G1	4462	113	B0-U0-G1		1385	45	B0-U0-G0
			IV-FT-HS	3535	90	B0-U0-G2	3816	97	B0-U0-G2	4017	102	B0-U0-G2	4217	107	B0-U0-G2		1310	43	B0-U0-G1
			36	525	59.3	II	6958	117	B2-U0-G2	7512	127	B2-U0-G2	7907	133	B2-U0-G2		8303	140	B2-U0-G2
II-FR	7005	118				B2-U0-G1	7562	128	B2-U0-G1	7960	134	B2-U0-G1	8358	141	B2-U0-G1	2117	46	B1-U0-G0	
III-M	7080	119				B2-U0-G2	7643	129	B2-U0-G2	8046	136	B2-U0-G2	8448	142	B2-U0-G2	2140	46	B1-U0-G1	
III-W	6574	111				B1-U0-G2	7097	120	B1-U0-G2	7471	126	B1-U0-G2	7844	132	B2-U0-G2	1987	43	B1-U0-G1	
IV	7027	118				B2-U0-G2	7586	128	B2-U0-G2	7985	135	B2-U0-G2	8384	141	B2-U0-G2	2124	46	B1-U0-G1	
IV-FT	6401	108				B1-U0-G2	6910	117	B1-U0-G2	7274	123	B2-U0-G2	7638	129	B2-U0-G2	1935	42	B1-U0-G1	
VSQ-N	7344	124				B2-U0-G1	7929	134	B3-U0-G1	8346	141	B3-U0-G1	8763	148	B3-U0-G1	2220	48	B1-U0-G0	
VSQ-M	7202	121				B3-U0-G1	7774	131	B3-U0-G2	8184	138	B3-U0-G2	8593	145	B3-U0-G2	2177	47	B2-U0-G0	
VSQ-W	7031	119				B3-U0-G2	7589	128	B3-U0-G2	7989	135	B3-U0-G2	8388	141	B3-U0-G2	2125	46	B2-U0-G1	
II-HS	5090	86				B1-U0-G2	5494	93	B1-U0-G2	5783	98	B1-U0-G2	6072	102	B1-U0-G2	1538	33	B0-U0-G0	
II-FR-HS	5177	87				B0-U0-G1	5588	94	B0-U0-G1	5883	99	B1-U0-G1	6177	104	B1-U0-G1	1565	34	B0-U0-G0	
III-M-HS	5149	87				B0-U0-G2	5558	94	B0-U0-G2	5850	99	B0-U0-G2	6143	104	B0-U0-G2	1556	33	B0-U0-G1	
III-W-HS	5040	85				B0-U0-G2	5440	92	B0-U0-G2	5727	97	B0-U0-G2	6013	101	B0-U0-G2	1523	33	B0-U0-G1	
IV-HS	5318	90				B0-U0-G2	5741	97	B0-U0-G2	6043	102	B0-U0-G2	6345	107	B0-U0-G2	1607	35	B0-U0-G0	
IV-FT-HS	5026	85				B0-U0-G2	5425	91	B0-U0-G2	5711	96	B0-U0-G2	5996	101	B0-U0-G2	1519	33	B0-U0-G1	
36	700	78.8				II	8753	111	B2-U0-G2	9448	120	B2-U0-G2	9946	126	B2-U0-G2	10443	133	B2-U0-G2	N/A
			II-FR	8811	112	B2-U0-G1	9512	121	B2-U0-G1	10012	127	B2-U0-G1	10513	133	B2-U0-G1				
			III-M	8905	113	B2-U0-G2	9613	122	B2-U0-G2	10120	128	B2-U0-G2	10625	135	B2-U0-G2				
			III-W	8268	105	B2-U0-G2	8926	113	B2-U0-G3	9396	119	B2-U0-G3	9865	125	B2-U0-G3				
			IV	8838	112	B2-U0-G2	9541	121	B2-U0-G2	10044	127	B2-U0-G2	10546	134	B2-U0-G2				
			IV-FT	8051	102	B2-U0-G2	8691	110	B2-U0-G3	9149	116	B2-U0-G3	9606	122	B2-U0-G3				
			VSQ-N	9238	117	B3-U0-G1	9972	127	B3-U0-G1	10497	133	B3-U0-G1	11022	140	B3-U0-G1				
			VSQ-M	9059	115	B3-U0-G2	9779	124	B3-U0-G2	10294	131	B3-U0-G2	10808	137	B4-U0-G2				
			VSQ-W	8842	112	B4-U0-G2	9546	121	B4-U0-G3	10048	128	B4-U0-G3	10550	134	B4-U0-G3				
			II-HS	6401	81	B1-U0-G2	6910	88	B1-U0-G2	7274	92	B1-U0-G2	7637	97	B1-U0-G2				
			II-FR-HS	6511	83	B1-U0-G1	7029	89	B1-U0-G1	7399	94	B1-U0-G1	7769	99	B1-U0-G1				
			III-M-HS	6475	82	B0-U0-G2	6990	89	B0-U0-G2	7358	93	B0-U0-G2	7726	98	B1-U0-G2				
			III-W-HS	6339	80	B0-U0-G2	6842	87	B0-U0-G2	7203	91	B0-U0-G2	7563	96	B0-U0-G2				
			IV-HS	6689	85	B0-U0-G2	7221	92	B0-U0-G2	7601	96	B1-U0-G2	7980	101	B1-U0-G2				
			IV-FT-HS	6322	80	B0-U0-G2	6824	87	B1-U0-G2	7184	91	B1-U0-G3	7543	96	B1-U0-G3				
			36	875	100.4	II	10517	105	B2-U0-G2	11353	113	B2-U0-G2	11951	119	B2-U0-G2	12548	125	B2-U0-G2	
II-FR	10587	105				B2-U0-G1	11429	114	B3-U0-G1	12031	120	B3-U0-G1	12632	126	B3-U0-G1				
III-M	10701	107				B2-U0-G2	11552	115	B2-U0-G2	12160	121	B2-U0-G2	12768	127	B2-U0-G2				
III-W	9936	99				B2-U0-G3	10725	107	B2-U0-G3	11290	112	B2-U0-G3	11855	118	B2-U0-G3				
IV	10620	106				B2-U0-G2	11465	114	B2-U0-G2	12069	120	B2-U0-G2	12672	126	B2-U0-G2				
IV-FT	9675	96				B2-U0-G3	10444	104	B2-U0-G3	10994	110	B2-U0-G3	11544	115	B2-U0-G3				
VSQ-N	11101	111				B3-U0-G1	11983	119	B3-U0-G1	12614	126	B3-U0-G1	13245	132	B3-U0-G1				
VSQ-M	10885	108				B4-U0-G2	11750	117	B4-U0-G2	12369	123	B4-U0-G2	12987	129	B4-U0-G2				
VSQ-W	10625	106				B4-U0-G3	11470	114	B4-U0-G3	12074	120	B4-U0-G3	12677	126	B4-U0-G3				
II-HS	7692	77				B1-U0-G2	8303	83	B1-U0-G2	8740	87	B1-U0-G2	9177	91	B1-U0-G2				
II-FR-HS	7824	78				B1-U0-G1	8446	84	B1-U0-G1	8891	89	B1-U0-G1	9335	93	B1-U0-G1				
III-M-HS	7781	78				B1-U0-G2	8400	84	B1-U0-G2	8842	88	B1-U0-G2	9284	92	B1-U0-G2				
III-W-HS	7617	76				B0-U0-G2	8222	82	B1-U0-G2	8656	86	B1-U0-G2	9088	91	B1-U0-G2				
IV-HS	8038	80				B1-U0-G2	8676	86	B1-U0-G2	9133	91	B1-U0-G2	9590	96	B1-U0-G2				
IV-FT-HS	7596	76				B1-U0-G3	8200	82	B1-U0-G3	8632	86	B1-U0-G3	9063	90	B1-U0-G3				

IES File downloads for this product can be found at www.usaltg.com/downloads/asr.html

MRL SERIES - LED

PHOTOMETRIC GUIDE - LUMEN TABLES (MRL20-PLED)

MRL20-PLED																			
LED Count	Drive Current (mA)	System Watts	Dist'n Type	27K (2700K - 70CRI)			30K (3000K - 70CRI)			40K (4000K - 70CRI)			50K (5000K - 70CRI)			System Watts	TRA (590nm)		
				LUMENS	LPW	BUG RATING	LUMENS	LPW	BUG RATING	LUMENS	LPW	BUG RATING	LUMENS	LPW	BUG RATING		LUMENS	LPW	BUG RATING
48	350	52.5	II	6525	124	B2-U0-G2	7044	134	B2-U0-G2	7415	141	B2-U0-G2	7786	148	B2-U0-G2	41.0	2417	59	B1-U0-G1
			II-FR	6569	125	B2-U0-G1	7092	135	B2-U0-G1	7465	142	B2-U0-G1	7838	149	B2-U0-G1		2434	59	B1-U0-G1
			III-M	6640	126	B2-U0-G2	7168	137	B2-U0-G2	7545	144	B2-U0-G2	7922	151	B2-U0-G2		2460	60	B1-U0-G1
			III-W	6165	117	B1-U0-G2	6655	127	B1-U0-G2	7005	133	B1-U0-G2	7355	140	B1-U0-G2		2284	56	B1-U0-G1
			IV	6589	126	B2-U0-G2	7113	135	B2-U0-G2	7488	143	B2-U0-G2	7862	150	B2-U0-G2		2441	60	B1-U0-G1
			IV-FT	6003	114	B1-U0-G2	6480	123	B1-U0-G2	6821	130	B1-U0-G2	7162	136	B1-U0-G2		2224	54	B1-U0-G1
			VSQ-N	6888	131	B2-U0-G1	7435	142	B2-U0-G1	7827	149	B2-U0-G1	8218	157	B3-U0-G1		2552	62	B1-U0-G0
			VSQ-M	6754	129	B3-U0-G1	7291	139	B3-U0-G1	7675	146	B3-U0-G2	8059	153	B3-U0-G2		2502	61	B2-U0-G1
			VSQ-W	6593	126	B3-U0-G2	7117	136	B3-U0-G2	7492	143	B3-U0-G2	7867	150	B3-U0-G2		2443	60	B2-U0-G1
			II-HS	4773	91	B1-U0-G2	5152	98	B1-U0-G2	5423	103	B1-U0-G2	5694	108	B1-U0-G2		1768	43	B0-U0-G1
			II-FR-HS	4855	92	B0-U0-G1	5241	100	B0-U0-G1	5517	105	B0-U0-G1	5792	110	B1-U0-G1		1799	44	B0-U0-G0
			III-M-HS	4828	92	B0-U0-G2	5212	99	B0-U0-G2	5486	105	B0-U0-G2	5761	110	B0-U0-G2		1789	44	B0-U0-G1
			III-W-HS	4726	90	B0-U0-G2	5102	97	B0-U0-G2	5370	102	B0-U0-G2	5639	107	B0-U0-G2		1751	43	B0-U0-G1
			IV-HS	4987	95	B0-U0-G2	5383	103	B0-U0-G2	5667	108	B0-U0-G2	5950	113	B0-U0-G2		1847	45	B0-U0-G1
			IV-FT-HS	4713	90	B0-U0-G2	5088	97	B0-U0-G2	5356	102	B0-U0-G2	5623	107	B0-U0-G2		1746	43	B0-U0-G1
			48	525	79.0	II	9278	117	B2-U0-G2	10016	127	B2-U0-G2	10543	133	B2-U0-G2		11070	140	B2-U0-G2
II-FR	9340	118				B2-U0-G1	10083	128	B2-U0-G1	10614	134	B2-U0-G1	11144	141	B2-U0-G1	2823	46	B1-U0-G1	
III-M	9441	120				B2-U0-G2	10192	129	B2-U0-G2	10728	136	B2-U0-G2	11264	143	B2-U0-G2	2853	46	B1-U0-G1	
III-W	8766	111				B2-U0-G3	9463	120	B2-U0-G3	9961	126	B2-U0-G3	10459	132	B2-U0-G3	2650	43	B1-U0-G1	
IV	9369	119				B2-U0-G2	10115	128	B2-U0-G2	10647	135	B2-U0-G2	11179	142	B2-U0-G2	2832	46	B1-U0-G1	
IV-FT	8535	108				B2-U0-G2	9214	117	B2-U0-G2	9699	123	B2-U0-G2	10183	129	B2-U0-G3	2580	42	B1-U0-G1	
VSQ-N	9793	124				B3-U0-G1	10572	134	B3-U0-G1	11128	141	B3-U0-G1	11684	148	B3-U0-G1	2960	48	B1-U0-G0	
VSQ-M	9603	122				B3-U0-G2	10366	131	B3-U0-G2	10912	138	B4-U0-G2	11458	145	B4-U0-G2	2903	47	B2-U0-G1	
VSQ-W	9374	119				B4-U0-G2	10119	128	B4-U0-G3	10652	135	B4-U0-G3	11185	142	B4-U0-G3	2833	46	B2-U0-G1	
II-HS	6786	86				B1-U0-G2	7326	93	B1-U0-G2	7711	98	B1-U0-G2	8097	102	B1-U0-G2	2051	33	B0-U0-G1	
II-FR-HS	6902	87				B1-U0-G1	7451	94	B1-U0-G1	7844	99	B1-U0-G1	8235	104	B1-U0-G1	2086	34	B0-U0-G0	
III-M-HS	6865	87				B0-U0-G2	7410	94	B0-U0-G2	7800	99	B1-U0-G2	8190	104	B1-U0-G2	2075	33	B0-U0-G1	
III-W-HS	6720	85				B0-U0-G2	7254	92	B0-U0-G2	7636	97	B0-U0-G2	8017	101	B1-U0-G2	2031	33	B0-U0-G1	
IV-HS	7091	90				B0-U0-G2	7655	97	B1-U0-G2	8058	102	B1-U0-G2	8460	107	B1-U0-G2	2143	35	B0-U0-G1	
IV-FT-HS	6701	85				B0-U0-G2	7234	92	B1-U0-G3	7615	96	B1-U0-G3	7995	101	B1-U0-G3	2025	33	B0-U0-G1	
48	700	105.1				II	11670	111	B2-U0-G2	12598	120	B2-U0-G2	13261	126	B2-U0-G2	13924	132	B2-U0-G2	N/A
			II-FR	11748	112	B3-U0-G1	12682	121	B3-U0-G1	13350	127	B3-U0-G1	14017	133	B3-U0-G1				
			III-M	11874	113	B2-U0-G2	12818	122	B2-U0-G2	13493	128	B2-U0-G2	14167	135	B2-U0-G2				
			III-W	11024	105	B2-U0-G3	11901	113	B2-U0-G3	12528	119	B2-U0-G3	13154	125	B2-U0-G3				
			IV	11785	112	B2-U0-G2	12722	121	B2-U0-G2	13392	127	B2-U0-G2	14061	134	B2-U0-G2				
			IV-FT	10735	102	B2-U0-G3	11589	110	B2-U0-G3	12199	116	B2-U0-G3	12808	122	B2-U0-G3				
			VSQ-N	12317	117	B3-U0-G1	13296	127	B3-U0-G1	13996	133	B3-U0-G1	14696	140	B3-U0-G1				
			VSQ-M	12078	115	B4-U0-G2	13039	124	B4-U0-G2	13725	131	B4-U0-G2	14411	137	B4-U0-G2				
			VSQ-W	11790	112	B4-U0-G3	12727	121	B4-U0-G3	13398	127	B4-U0-G3	14067	134	B4-U0-G3				
			II-HS	8535	81	B1-U0-G2	9214	88	B1-U0-G2	9699	92	B1-U0-G2	10184	97	B1-U0-G2				
			II-FR-HS	8682	83	B1-U0-G1	9372	89	B1-U0-G1	9865	94	B1-U0-G1	10358	99	B1-U0-G1				
			III-M-HS	8634	82	B1-U0-G2	9321	89	B1-U0-G2	9811	93	B1-U0-G2	10302	98	B1-U0-G2				
			III-W-HS	8451	80	B1-U0-G2	9124	87	B1-U0-G2	9604	91	B1-U0-G3	10084	96	B1-U0-G3				
			IV-HS	8918	85	B1-U0-G2	9628	92	B1-U0-G2	10135	96	B1-U0-G2	10641	101	B1-U0-G2				
			IV-FT-HS	8429	80	B1-U0-G3	9099	87	B1-U0-G3	9578	91	B1-U0-G3	10057	96	B1-U0-G3				
			48	875	133.9	II	14022	105	B2-U0-G2	15138	113	B3-U0-G2	15935	119	B3-U0-G2	16731	125	B3-U0-G3	
II-FR	14116	105				B3-U0-G1	15239	114	B3-U0-G2	16041	120	B3-U0-G2	16843	126	B3-U0-G2				
III-M	14268	107				B2-U0-G2	15402	115	B3-U0-G2	16213	121	B3-U0-G3	17024	127	B3-U0-G3				
III-W	13247	99				B2-U0-G3	14301	107	B2-U0-G3	15054	112	B2-U0-G3	15806	118	B3-U0-G3				
IV	14161	106				B2-U0-G2	15287	114	B3-U0-G2	16092	120	B3-U0-G2	16896	126	B3-U0-G3				
IV-FT	12900	96				B2-U0-G3	13926	104	B2-U0-G3	14659	109	B3-U0-G3	15392	115	B3-U0-G3				
VSQ-N	14801	111				B3-U0-G1	15978	119	B4-U0-G1	16819	126	B4-U0-G2	17660	132	B4-U0-G2				
VSQ-M	14513	108				B4-U0-G2	15667	117	B4-U0-G2	16492	123	B4-U0-G2	17316	129	B4-U0-G2				
VSQ-W	14167	106				B4-U0-G3	15294	114	B4-U0-G3	16099	120	B4-U0-G3	16904	126	B5-U0-G3				
II-HS	10255	77				B1-U0-G2	11071	83	B1-U0-G2	11654	87	B1-U0-G2	12236	91	B1-U0-G2				
II-FR-HS	10432	78				B1-U0-G1	11262	84	B1-U0-G2	11855	89	B1-U0-G2	12447	93	B1-U0-G2				
III-M-HS	10375	77				B1-U0-G2	11200	84	B1-U0-G2	11790	88	B1-U0-G3	12378	92	B1-U0-G3				
III-W-HS	10155	76				B1-U0-G3	10963	82	B1-U0-G3	11540	86	B1-U0-G3	12117	90	B1-U0-G3				
IV-HS	10716	80				B1-U0-G2	11569	86	B1-U0-G2	12178	91	B1-U0-G2	12786	95	B1-U0-G2				
IV-FT-HS	10128	76				B1-U0-G3	10934	82	B1-U0-G3	11509	86	B1-U0-G3	12085	90	B1-U0-G3				

IES File downloads for this product can be found at www.usaltg.com/downloads/asr.html

MRL SERIES - LED

PHOTOMETRIC GUIDE - LUMEN TABLES (MRL25-PLED)

MRL25-PLED																			
LED Count	Drive Current (mA)	System Watts	Dist'n Type	27K (2700K - 70CRI)			30K (3000K - 70CRI)			40K (4000K - 70CRI)			50K (5000K - 70CRI)			System Watts	TRA (590nm)		
				LUMENS	LPW	BUG RATING	LUMENS	LPW	BUG RATING	LUMENS	LPW	BUG RATING	LUMENS	LPW	BUG RATING		LUMENS	LPW	BUG RATING
36	350	39.4	II	4904	124	B1-U0-G1	5294	134	B1-U0-G1	5573	141	B1-U0-G1	5851	149	B2-U0-G1	30.2	1817	60	B1-U0-G1
			II-FR	4937	125	B1-U0-G1	5330	135	B1-U0-G1	5610	142	B2-U0-G1	5891	150	B2-U0-G1		1829	61	B1-U0-G0
			III-M	4990	127	B1-U0-G1	5387	137	B1-U0-G1	5670	144	B1-U0-G1	5954	151	B1-U0-G2		1848	61	B1-U0-G1
			III-W	4633	118	B1-U0-G2	5001	127	B1-U0-G2	5265	134	B1-U0-G2	5528	140	B1-U0-G2		1716	57	B0-U0-G1
			IV	4952	126	B1-U0-G1	5346	136	B1-U0-G1	5628	143	B1-U0-G1	5909	150	B1-U0-G2		1835	61	B1-U0-G1
			IV-FT	4511	114	B1-U0-G2	4870	124	B1-U0-G2	5126	130	B1-U0-G2	5383	137	B1-U0-G2		1671	55	B1-U0-G1
			VSQ-N	5176	131	B2-U0-G1	5588	142	B2-U0-G1	5882	149	B2-U0-G1	6176	157	B2-U0-G1		1918	63	B1-U0-G0
			VSQ-M	5075	129	B3-U0-G1	5479	139	B3-U0-G1	5768	146	B3-U0-G1	6056	154	B3-U0-G1		1880	62	B1-U0-G0
			VSQ-W	4954	126	B3-U0-G2	5348	136	B3-U0-G2	5630	143	B3-U0-G2	5911	150	B3-U0-G2		1835	61	B2-U0-G1
			II-HS	3586	91	B0-U0-G1	3871	98	B0-U0-G1	4075	103	B0-U0-G1	4279	109	B0-U0-G1		1329	44	B0-U0-G0
			II-FR-HS	3648	93	B0-U0-G1	3938	100	B0-U0-G1	4145	105	B0-U0-G1	4352	110	B0-U0-G1		1351	45	B0-U0-G0
			III-M-HS	3628	92	B0-U0-G1	3917	99	B0-U0-G1	4123	105	B0-U0-G1	4329	110	B0-U0-G2		1344	45	B0-U0-G0
			III-W-HS	3552	90	B0-U0-G2	3834	97	B0-U0-G2	4036	102	B0-U0-G2	4237	108	B0-U0-G2		1316	44	B0-U0-G1
			IV-HS	3748	95	B0-U0-G1	4046	103	B0-U0-G1	4259	108	B0-U0-G1	4471	113	B0-U0-G1		1388	46	B0-U0-G0
			IV-FT-HS	3542	90	B0-U0-G2	3823	97	B0-U0-G2	4025	102	B0-U0-G2	4226	107	B0-U0-G2		1312	43	B0-U0-G1
			36	525	58.2	II	7062	121	B2-U0-G2	7624	131	B2-U0-G2	8025	138	B2-U0-G2		8426	145	B2-U0-G2
II-FR	7109	122				B2-U0-G1	7675	132	B2-U0-G1	8079	139	B2-U0-G1	8483	146	B2-U0-G1	2149	47	B1-U0-G0	
III-M	7186	123				B2-U0-G2	7757	133	B2-U0-G2	8165	140	B2-U0-G2	8574	147	B2-U0-G2	2172	48	B1-U0-G1	
III-W	6671	115				B1-U0-G2	7202	124	B1-U0-G2	7581	130	B1-U0-G2	7960	137	B2-U0-G2	2017	44	B1-U0-G1	
IV	7131	123				B2-U0-G2	7698	132	B2-U0-G2	8104	139	B2-U0-G2	8509	146	B2-U0-G2	2156	47	B1-U0-G1	
IV-FT	6496	112				B1-U0-G2	7013	120	B1-U0-G2	7382	127	B1-U0-G3	7751	133	B2-U0-G3	1964	43	B1-U0-G1	
VSQ-N	7454	128				B2-U0-G1	8047	138	B3-U0-G1	8470	146	B3-U0-G1	8894	153	B3-U0-G1	2253	50	B1-U0-G0	
VSQ-M	7309	126				B3-U0-G1	7890	136	B3-U0-G2	8306	143	B3-U0-G2	8721	150	B3-U0-G2	2209	49	B2-U0-G1	
VSQ-W	7134	123				B3-U0-G2	7702	132	B3-U0-G2	8108	139	B3-U0-G2	8513	146	B4-U0-G2	2157	47	B2-U0-G1	
II-HS	5165	89				B1-U0-G2	5576	96	B1-U0-G2	5869	101	B1-U0-G2	6162	106	B1-U0-G2	1561	34	B0-U0-G0	
II-FR-HS	5254	90				B0-U0-G1	5671	97	B1-U0-G1	5970	103	B1-U0-G1	6269	108	B1-U0-G1	1588	35	B0-U0-G0	
III-M-HS	5225	90				B0-U0-G2	5641	97	B0-U0-G2	5938	102	B0-U0-G2	6234	107	B0-U0-G2	1579	35	B0-U0-G1	
III-W-HS	5114	88				B0-U0-G2	5521	95	B0-U0-G2	5812	100	B0-U0-G2	6102	105	B0-U0-G2	1546	34	B0-U0-G1	
IV-HS	5397	93				B0-U0-G2	5826	100	B0-U0-G2	6133	105	B0-U0-G2	6439	111	B0-U0-G2	1631	36	B0-U0-G0	
IV-FT-HS	5101	88				B0-U0-G2	5506	95	B0-U0-G2	5796	100	B0-U0-G2	6086	105	B0-U0-G2	1542	34	B0-U0-G1	
36	700	78.1				II	8956	115	B2-U0-G2	9668	124	B2-U0-G2	10177	130	B2-U0-G2	10686	137	B2-U0-G2	N/A
			II-FR	9015	115	B2-U0-G1	9733	125	B2-U0-G1	10245	131	B2-U0-G1	10757	138	B2-U0-G1				
			III-M	9113	117	B2-U0-G2	9837	126	B2-U0-G2	10355	133	B2-U0-G2	10873	139	B2-U0-G2				
			III-W	8461	108	B2-U0-G2	9134	117	B2-U0-G3	9615	123	B2-U0-G3	10095	129	B2-U0-G3				
			IV	9044	116	B2-U0-G2	9763	125	B2-U0-G2	10277	132	B2-U0-G2	10791	138	B2-U0-G2				
			IV-FT	8239	105	B2-U0-G3	8894	114	B2-U0-G3	9362	120	B2-U0-G3	9830	126	B2-U0-G3				
			VSQ-N	9453	121	B3-U0-G1	10205	131	B3-U0-G1	10742	138	B3-U0-G1	11279	144	B3-U0-G1				
			VSQ-M	9269	119	B3-U0-G2	10006	128	B3-U0-G2	10533	135	B3-U0-G2	11060	142	B4-U0-G2				
			VSQ-W	9049	116	B4-U0-G2	9768	125	B4-U0-G3	10282	132	B4-U0-G3	10796	138	B4-U0-G3				
			II-HS	6550	84	B1-U0-G2	7071	91	B1-U0-G2	7443	95	B1-U0-G2	7815	100	B1-U0-G2				
			II-FR-HS	6663	85	B1-U0-G1	7192	92	B1-U0-G1	7571	97	B1-U0-G1	7949	102	B1-U0-G1				
			III-M-HS	6627	85	B0-U0-G2	7154	92	B0-U0-G2	7530	96	B1-U0-G2	7906	101	B1-U0-G2				
			III-W-HS	6486	83	B0-U0-G2	7002	90	B0-U0-G2	7371	94	B0-U0-G2	7739	99	B0-U0-G2				
			IV-HS	6845	88	B0-U0-G2	7389	95	B1-U0-G2	7778	100	B1-U0-G2	8167	105	B1-U0-G2				
			IV-FT-HS	6469	83	B0-U0-G2	6983	89	B1-U0-G3	7351	94	B1-U0-G3	7718	99	B1-U0-G3				
			36	875	102.1	II	10253	100	B2-U0-G2	11069	108	B2-U0-G2	11652	114	B2-U0-G2	12234	120	B2-U0-G2	
II-FR	10322	101				B2-U0-G1	11143	109	B2-U0-G1	11729	115	B3-U0-G1	12316	121	B3-U0-G1				
III-M	10433	102				B2-U0-G2	11262	110	B2-U0-G2	11855	116	B2-U0-G2	12448	122	B2-U0-G2				
III-W	9687	95				B2-U0-G3	10456	102	B2-U0-G3	11007	108	B2-U0-G3	11558	113	B2-U0-G3				
IV	10354	101				B2-U0-G2	11178	109	B2-U0-G2	11766	115	B2-U0-G2	12354	121	B2-U0-G2				
IV-FT	9432	92				B2-U0-G3	10183	100	B2-U0-G3	10719	105	B2-U0-G3	11254	110	B2-U0-G3				
VSQ-N	10822	106				B3-U0-G1	11682	114	B3-U0-G1	12298	120	B3-U0-G1	12913	126	B3-U0-G1				
VSQ-M	10612	104				B4-U0-G2	11455	112	B4-U0-G2	12059	118	B4-U0-G2	12662	124	B4-U0-G2				
VSQ-W	10359	101				B4-U0-G3	11182	110	B4-U0-G3	11771	115	B4-U0-G3	12360	121	B4-U0-G3				
II-HS	7499	73				B1-U0-G2	8095	79	B1-U0-G2	8521	83	B1-U0-G2	8947	88	B1-U0-G2				
II-FR-HS	7628	75				B1-U0-G1	8234	81	B1-U0-G1	8668	85	B1-U0-G1	9101	89	B1-U0-G1				
III-M-HS	7586	74				B1-U0-G2	8189	80	B1-U0-G2	8621	84	B1-U0-G2	9051	89	B1-U0-G2				
III-W-HS	7425	73				B0-U0-G2	8016	79	B1-U0-G2	8438	83	B1-U0-G2	8860	87	B1-U0-G2				
IV-HS	7836	77				B1-U0-G2	8459	83	B1-U0-G2	8904	87	B1-U0-G2	9349	92	B1-U0-G2				
IV-FT-HS	7405	73				B1-U0-G3	7994	78	B1-U0-G3	8415	82	B1-U0-G3	8836	87	B1-U0-G3				

IES File downloads for this product can be found at www.usaltg.com/downloads/asr.html

MRL SERIES - LED

PHOTOMETRIC GUIDE - LUMEN TABLES (MRL25-PLED)

MRL25-PLED																			
LED Count	Drive Current (mA)	System Watts	Dist'n Type	27K (2700K - 70CRI)			30K (3000K - 70CRI)			40K (4000K - 70CRI)			50K (5000K - 70CRI)			System Watts	TRA (590nm)		
				LUMENS	LPW	BUG RATING	LUMENS	LPW	BUG RATING	LUMENS	LPW	BUG RATING	LUMENS	LPW	BUG RATING		LUMENS	LPW	BUG RATING
48	350	52.5	II	6539	125	B2-U0-G2	7059	134	B2-U0-G2	7430	142	B2-U0-G2	7802	149	B2-U0-G2	41.0	2422	59	B1-U0-G1
			II-FR	6583	125	B2-U0-G1	7106	135	B2-U0-G1	7480	142	B2-U0-G1	7854	150	B2-U0-G1		2439	59	B1-U0-G1
			III-M	6653	127	B2-U0-G2	7182	137	B2-U0-G2	7561	144	B2-U0-G2	7938	151	B2-U0-G2		2465	60	B1-U0-G1
			III-W	6178	118	B1-U0-G2	6669	127	B1-U0-G2	7020	134	B1-U0-G2	7371	140	B1-U0-G2		2288	56	B1-U0-G1
			IV	6604	126	B2-U0-G2	7128	136	B2-U0-G2	7504	143	B2-U0-G2	7879	150	B2-U0-G2		2446	60	B1-U0-G1
			IV-FT	6015	115	B1-U0-G2	6493	124	B1-U0-G2	6835	130	B1-U0-G2	7177	137	B1-U0-G3		2228	54	B1-U0-G1
			VSQ-N	6902	131	B2-U0-G1	7450	142	B2-U0-G1	7843	149	B2-U0-G1	8235	157	B3-U0-G1		2557	62	B1-U0-G0
			VSQ-M	6768	129	B3-U0-G1	7306	139	B3-U0-G1	7691	146	B3-U0-G2	8075	154	B3-U0-G2		2507	61	B2-U0-G1
			VSQ-W	6606	126	B3-U0-G2	7131	136	B3-U0-G2	7507	143	B3-U0-G2	7882	150	B3-U0-G2		2447	60	B2-U0-G1
			II-HS	4782	91	B1-U0-G2	5162	98	B1-U0-G2	5434	104	B1-U0-G2	5706	109	B1-U0-G2		1772	43	B0-U0-G1
			II-FR-HS	4865	93	B0-U0-G1	5251	100	B0-U0-G1	5528	105	B0-U0-G1	5804	111	B1-U0-G1		1802	44	B0-U0-G0
			III-M-HS	4838	92	B0-U0-G2	5223	99	B0-U0-G2	5498	105	B0-U0-G2	5772	110	B0-U0-G2		1792	44	B0-U0-G1
			III-W-HS	4735	90	B0-U0-G2	5112	97	B0-U0-G2	5381	103	B0-U0-G2	5650	108	B0-U0-G2		1754	43	B0-U0-G1
			IV-HS	4997	95	B0-U0-G2	5395	103	B0-U0-G2	5679	108	B0-U0-G2	5962	114	B0-U0-G2		1851	45	B0-U0-G1
IV-FT-HS	4723	90	B0-U0-G2	5098	97	B0-U0-G2	5367	102	B0-U0-G2	5635	107	B0-U0-G2	1750	43	B0-U0-G1				
48	525	77.6	II	9416	121	B2-U0-G2	10165	131	B2-U0-G2	10700	138	B2-U0-G2	11235	145	B2-U0-G2	60.6	2846	47	B1-U0-G1
			II-FR	9479	122	B2-U0-G1	10233	132	B2-U0-G1	10772	139	B2-U0-G1	11310	146	B3-U0-G1		2865	47	B1-U0-G1
			III-M	9581	123	B2-U0-G2	10343	133	B2-U0-G2	10887	140	B2-U0-G2	11431	147	B2-U0-G2		2896	48	B1-U0-G1
			III-W	8896	115	B2-U0-G3	9603	124	B2-U0-G3	10109	130	B2-U0-G3	10614	137	B2-U0-G3		2689	44	B1-U0-G1
			IV	9509	123	B2-U0-G2	10265	132	B2-U0-G2	10805	139	B2-U0-G2	11345	146	B2-U0-G2		2874	47	B1-U0-G1
			IV-FT	8662	112	B2-U0-G3	9351	121	B2-U0-G3	9843	127	B2-U0-G3	10336	133	B2-U0-G3		2618	43	B1-U0-G1
			VSQ-N	9939	128	B3-U0-G1	10729	138	B3-U0-G1	11294	146	B3-U0-G1	11859	153	B3-U0-G1		3004	50	B1-U0-G0
			VSQ-M	9746	126	B3-U0-G2	10521	136	B3-U0-G2	11075	143	B4-U0-G2	11628	150	B4-U0-G2		2946	49	B2-U0-G1
			VSQ-W	9513	123	B4-U0-G3	10270	132	B4-U0-G3	10810	139	B4-U0-G3	11351	146	B4-U0-G3		2876	47	B2-U0-G1
			II-HS	6887	89	B1-U0-G2	7434	96	B1-U0-G2	7826	101	B1-U0-G2	8217	106	B1-U0-G2		2082	34	B0-U0-G1
			II-FR-HS	7005	90	B1-U0-G1	7562	97	B1-U0-G1	7960	103	B1-U0-G1	8358	108	B1-U0-G1		2118	35	B0-U0-G0
			III-M-HS	6967	90	B0-U0-G2	7521	97	B1-U0-G2	7917	102	B1-U0-G2	8313	107	B1-U0-G2		2106	35	B0-U0-G1
			III-W-HS	6819	88	B0-U0-G2	7361	95	B0-U0-G2	7749	100	B0-U0-G2	8136	105	B1-U0-G2		2061	34	B0-U0-G1
			IV-HS	7196	93	B0-U0-G2	7769	100	B1-U0-G2	8178	105	B1-U0-G2	8586	111	B1-U0-G2		2175	36	B0-U0-G1
IV-FT-HS	6801	88	B1-U0-G2	7342	95	B1-U0-G3	7728	100	B1-U0-G3	8115	105	B1-U0-G3	2056	34	B0-U0-G1				
48	700	104.2	II	11942	115	B2-U0-G2	12892	124	B2-U0-G2	13570	130	B2-U0-G2	14248	137	B2-U0-G2	N/A	N/A		
			II-FR	12021	115	B3-U0-G1	12977	125	B3-U0-G1	13660	131	B3-U0-G1	14343	138	B3-U0-G1				
			III-M	12151	117	B2-U0-G2	13117	126	B2-U0-G2	13808	133	B2-U0-G2	14498	139	B2-U0-G2				
			III-W	11281	108	B2-U0-G3	12179	117	B2-U0-G3	12820	123	B2-U0-G3	13461	129	B2-U0-G3				
			IV	12059	116	B2-U0-G2	13018	125	B2-U0-G2	13703	132	B2-U0-G2	14389	138	B2-U0-G2				
			IV-FT	10985	105	B2-U0-G3	11859	114	B2-U0-G3	12483	120	B2-U0-G3	13107	126	B2-U0-G3				
			VSQ-N	12604	121	B3-U0-G1	13607	131	B3-U0-G1	14323	137	B3-U0-G1	15038	144	B3-U0-G1				
			VSQ-M	12359	119	B4-U0-G2	13342	128	B4-U0-G2	14044	135	B4-U0-G2	14747	142	B4-U0-G2				
			VSQ-W	12064	116	B4-U0-G3	13024	125	B4-U0-G3	13710	132	B4-U0-G3	14395	138	B4-U0-G3				
			II-HS	8733	84	B1-U0-G2	9428	90	B1-U0-G2	9924	95	B1-U0-G2	10420	100	B1-U0-G2				
			II-FR-HS	8884	85	B1-U0-G1	9590	92	B1-U0-G1	10095	97	B1-U0-G1	10600	102	B1-U0-G1				
			III-M-HS	8836	85	B1-U0-G2	9538	92	B1-U0-G2	10040	96	B1-U0-G2	10542	101	B1-U0-G2				
			III-W-HS	8648	83	B1-U0-G2	9336	90	B1-U0-G2	9828	94	B1-U0-G3	10319	99	B1-U0-G3				
			IV-HS	9126	88	B1-U0-G2	9852	95	B1-U0-G2	10371	100	B1-U0-G2	10889	105	B1-U0-G2				
IV-FT-HS	8625	83	B1-U0-G3	9311	89	B1-U0-G3	9801	94	B1-U0-G3	10291	99	B1-U0-G3							
48	875	136.1	II	13671	100	B2-U0-G2	14759	108	B3-U0-G2	15536	114	B3-U0-G2	16312	120	B3-U0-G3	N/A	N/A		
			II-FR	13762	101	B3-U0-G1	14857	109	B3-U0-G2	15639	115	B3-U0-G2	16421	121	B3-U0-G2				
			III-M	13910	102	B2-U0-G2	15017	110	B2-U0-G2	15807	116	B3-U0-G3	16597	122	B3-U0-G3				
			III-W	12915	95	B2-U0-G3	13943	102	B2-U0-G3	14677	108	B2-U0-G3	15410	113	B2-U0-G3				
			IV	13806	101	B2-U0-G2	14904	110	B2-U0-G2	15688	115	B3-U0-G2	16473	121	B3-U0-G3				
			IV-FT	12577	92	B2-U0-G3	13577	100	B2-U0-G3	14292	105	B2-U0-G3	15006	110	B3-U0-G3				
			VSQ-N	14430	106	B3-U0-G1	15577	114	B3-U0-G1	16397	120	B4-U0-G1	17217	126	B4-U0-G2				
			VSQ-M	14149	104	B4-U0-G2	15274	112	B4-U0-G2	16078	118	B4-U0-G2	16882	124	B4-U0-G2				
			VSQ-W	13812	101	B4-U0-G3	14910	110	B4-U0-G3	15695	115	B4-U0-G3	16480	121	B4-U0-G3				
			II-HS	9999	73	B1-U0-G2	10794	79	B1-U0-G2	11362	83	B1-U0-G2	11930	88	B1-U0-G2				
			II-FR-HS	10170	75	B1-U0-G1	10979	81	B1-U0-G1	11557	85	B1-U0-G2	12135	89	B1-U0-G2				
			III-M-HS	10115	74	B1-U0-G2	10920	80	B1-U0-G2	11495	84	B1-U0-G2	12069	89	B1-U0-G3				
			III-W-HS	9900	73	B1-U0-G3	10688	79	B1-U0-G3	11251	83	B1-U0-G3	11813	87	B1-U0-G3				
			IV-HS	10448	77	B1-U0-G2	11279	83	B1-U0-G2	11873	87	B1-U0-G2	12466	92	B1-U0-G2				
IV-FT-HS	9874	73	B1-U0-G3	10660	78	B1-U0-G3	11221	82	B1-U0-G3	11781	87	B1-U0-G3							

IES File downloads for this product can be found at www.usalgt.com/downloads/asr.html

MRL SERIES - LED

PHOTOMETRIC GUIDE - LUMEN TABLES (MRL25-PLED)

MRL25-PLED																			
LED Count	Drive Current (mA)	System Watts	Dist'n Type	27K (2700K - 70CRI)			30K (3000K - 70CRI)			40K (4000K - 70CRI)			50K (5000K - 70CRI)			System Watts	TRA (590nm)		
				LUMENS	LPW	BUG RATING	LUMENS	LPW	BUG RATING	LUMENS	LPW	BUG RATING	LUMENS	LPW	BUG RATING		LUMENS	LPW	BUG RATING
80	350	87.5	II	10898	125	B2-U0-G2	11765	134	B2-U0-G2	12384	142	B2-U0-G2	13003	149	B2-U0-G2	67.0	4037	60	B1-U0-G1
			II-FR	10971	125	B2-U0-G1	11844	135	B3-U0-G1	12467	142	B3-U0-G1	13091	150	B3-U0-G1		4064	61	B1-U0-G1
			III-M	11089	127	B2-U0-G2	11970	137	B2-U0-G2	12601	144	B2-U0-G2	13231	151	B2-U0-G2		4108	61	B1-U0-G1
			III-W	10296	118	B2-U0-G3	11115	127	B2-U0-G3	11700	134	B2-U0-G3	12285	140	B2-U0-G3		3814	57	B1-U0-G1
			IV	11006	126	B2-U0-G2	11881	136	B2-U0-G2	12506	143	B2-U0-G2	13131	150	B2-U0-G2		4077	61	B1-U0-G1
			IV-FT	10025	115	B2-U0-G3	10823	124	B2-U0-G3	11392	130	B2-U0-G3	11962	137	B2-U0-G3		3714	55	B1-U0-G2
			VSQ-N	11503	131	B3-U0-G1	12418	142	B3-U0-G1	13071	149	B3-U0-G1	13724	157	B3-U0-G1		4261	64	B2-U0-G0
			VSQ-M	11280	129	B4-U0-G2	12177	139	B4-U0-G2	12818	146	B4-U0-G2	13459	154	B4-U0-G2		4179	62	B2-U0-G1
			VSQ-W	11010	126	B4-U0-G3	11885	136	B4-U0-G3	12511	143	B4-U0-G3	13137	150	B4-U0-G3		4079	61	B3-U0-G1
			II-HS	7970	91	B1-U0-G2	8604	98	B1-U0-G2	9057	104	B1-U0-G2	9510	109	B1-U0-G2		2953	44	B0-U0-G1
			II-FR-HS	8107	93	B1-U0-G1	8752	100	B1-U0-G1	9213	105	B1-U0-G1	9673	111	B1-U0-G1		3003	45	B0-U0-G0
			III-M-HS	8064	92	B1-U0-G2	8705	99	B1-U0-G2	9163	105	B1-U0-G2	9621	110	B1-U0-G2		2987	45	B0-U0-G1
			III-W-HS	7893	90	B1-U0-G2	8520	97	B1-U0-G2	8969	103	B1-U0-G2	9417	108	B1-U0-G3		2924	44	B0-U0-G1
			IV-HS	8329	95	B1-U0-G2	8991	103	B1-U0-G2	9464	108	B1-U0-G2	9937	114	B1-U0-G2		3085	46	B0-U0-G1
			IV-FT-HS	7871	90	B1-U0-G3	8497	97	B1-U0-G3	8944	102	B1-U0-G3	9391	107	B1-U0-G3		2916	44	B0-U0-G1
			80	525	129.4	II	15694	121	B3-U0-G2	16942	131	B3-U0-G3	17834	138	B3-U0-G3		18726	145	B3-U0-G3
II-FR	15799	122				B3-U0-G2	17055	132	B3-U0-G2	17953	139	B3-U0-G2	18851	146	B3-U0-G2	4776	47	B1-U0-G1	
III-M	15968	123				B3-U0-G3	17238	133	B3-U0-G3	18146	140	B3-U0-G3	19053	147	B3-U0-G3	4827	48	B1-U0-G1	
III-W	14826	115				B2-U0-G3	16005	124	B3-U0-G3	16848	130	B3-U0-G3	17690	137	B3-U0-G3	4482	44	B1-U0-G2	
IV	15848	122				B3-U0-G2	17108	132	B3-U0-G3	18009	139	B3-U0-G3	18909	146	B3-U0-G3	4790	47	B1-U0-G1	
IV-FT	14437	112				B2-U0-G3	15585	120	B3-U0-G3	16406	127	B3-U0-G4	17226	133	B3-U0-G4	4364	43	B1-U0-G2	
VSQ-N	16565	128				B4-U0-G1	17882	138	B4-U0-G2	18823	145	B4-U0-G2	19765	153	B4-U0-G2	5007	50	B2-U0-G1	
VSQ-M	16243	126				B4-U0-G2	17535	136	B4-U0-G2	18458	143	B4-U0-G2	19380	150	B4-U0-G2	4910	49	B3-U0-G1	
VSQ-W	15855	123				B4-U0-G3	17116	132	B5-U0-G3	18017	139	B5-U0-G3	18918	146	B5-U0-G3	4793	47	B3-U0-G2	
II-HS	11478	89				B1-U0-G2	12391	96	B1-U0-G2	13043	101	B1-U0-G3	13695	106	B1-U0-G3	3469	34	B0-U0-G1	
II-FR-HS	11675	90				B1-U0-G2	12604	97	B1-U0-G2	13267	103	B1-U0-G2	13930	108	B1-U0-G2	3529	35	B0-U0-G1	
III-M-HS	11612	90				B1-U0-G3	12536	97	B1-U0-G3	13195	102	B1-U0-G3	13855	107	B1-U0-G3	3510	35	B0-U0-G1	
III-W-HS	11365	88				B1-U0-G3	12269	95	B1-U0-G3	12915	100	B1-U0-G3	13561	105	B1-U0-G3	3435	34	B0-U0-G1	
IV-HS	11994	93				B1-U0-G2	12948	100	B1-U0-G3	13630	105	B1-U0-G3	14311	111	B1-U0-G3	3625	36	B0-U0-G1	
IV-FT-HS	11335	88				B1-U0-G3	12237	95	B1-U0-G3	12881	100	B1-U0-G3	13525	105	B1-U0-G3	3426	34	B0-U0-G2	
80	700	173.6				II	19903	115	B3-U0-G3	21486	124	B3-U0-G3	22617	130	B3-U0-G3	23748	137	B3-U0-G3	N/A
			II-FR	20035	115	B3-U0-G2	21629	125	B3-U0-G2	22767	131	B3-U0-G2	23906	138	B3-U0-G2				
			III-M	20251	117	B3-U0-G3	21862	126	B3-U0-G3	23012	133	B3-U0-G3	24163	139	B3-U0-G4				
			III-W	18802	108	B3-U0-G4	20298	117	B3-U0-G4	21366	123	B3-U0-G4	22434	129	B3-U0-G4				
			IV	20098	116	B3-U0-G3	21697	125	B3-U0-G3	22839	132	B3-U0-G3	23981	138	B3-U0-G3				
			IV-FT	18308	105	B3-U0-G4	19765	114	B3-U0-G4	20805	120	B3-U0-G4	21845	126	B3-U0-G4				
			VSQ-N	21007	121	B4-U0-G2	22678	131	B4-U0-G2	23871	138	B4-U0-G2	25065	144	B4-U0-G2				
			VSQ-M	20599	119	B4-U0-G2	22237	128	B5-U0-G3	23408	135	B5-U0-G3	24577	142	B5-U0-G3				
			VSQ-W	20108	116	B5-U0-G3	21707	125	B5-U0-G4	22850	132	B5-U0-G4	23992	138	B5-U0-G4				
			II-HS	14556	84	B1-U0-G3	15713	91	B1-U0-G3	16541	95	B1-U0-G3	17367	100	B1-U0-G3				
			II-FR-HS	14806	85	B1-U0-G2	15983	92	B1-U0-G2	16825	97	B1-U0-G2	17666	102	B1-U0-G2				
			III-M-HS	14726	85	B1-U0-G3	15897	92	B1-U0-G3	16734	96	B1-U0-G3	17570	101	B1-U0-G4				
			III-W-HS	14414	83	B1-U0-G3	15560	90	B1-U0-G4	16379	94	B1-U0-G4	17198	99	B1-U0-G4				
			IV-HS	15211	88	B1-U0-G3	16420	95	B1-U0-G3	17285	100	B1-U0-G3	18149	105	B1-U0-G3				
			IV-FT-HS	14375	83	B1-U0-G4	15518	89	B1-U0-G4	16335	94	B1-U0-G4	17152	99	B1-U0-G4				
			80	875	226.8	II	22786	100	B3-U0-G3	24598	108	B3-U0-G3	25893	114	B3-U0-G3	27187	120	B3-U0-G4	
II-FR	22937	101				B3-U0-G2	24762	109	B3-U0-G2	26065	115	B3-U0-G2	27368	121	B3-U0-G2				
III-M	23184	102				B3-U0-G3	25028	110	B3-U0-G4	26345	116	B3-U0-G4	27662	122	B3-U0-G4				
III-W	21526	95				B3-U0-G4	23238	102	B3-U0-G4	24461	108	B3-U0-G4	25684	113	B3-U0-G4				
IV	23009	101				B3-U0-G3	24840	110	B3-U0-G4	26147	115	B3-U0-G4	27454	121	B3-U0-G4				
IV-FT	20961	92				B3-U0-G4	22628	100	B3-U0-G4	23819	105	B3-U0-G5	25010	110	B3-U0-G5				
VSQ-N	24049	106				B4-U0-G2	25962	114	B4-U0-G2	27329	120	B5-U0-G2	28695	127	B5-U0-G2				
VSQ-M	23582	104				B5-U0-G3	25457	112	B5-U0-G3	26798	118	B5-U0-G3	28137	124	B5-U0-G3				
VSQ-W	23020	101				B5-U0-G4	24850	110	B5-U0-G4	26159	115	B5-U0-G4	27467	121	B5-U0-G4				
II-HS	16664	73				B1-U0-G3	17990	79	B1-U0-G3	18936	83	B1-U0-G3	19883	88	B1-U0-G4				
II-FR-HS	16951	75				B1-U0-G2	18299	81	B1-U0-G2	19262	85	B1-U0-G2	20225	89	B1-U0-G2				
III-M-HS	16858	74				B1-U0-G3	18199	80	B1-U0-G4	19157	84	B1-U0-G4	20115	89	B1-U0-G4				
III-W-HS	16501	73				B1-U0-G4	17814	79	B1-U0-G4	18751	83	B1-U0-G4	19688	87	B1-U0-G4				
IV-HS	17414	77				B1-U0-G3	18799	83	B1-U0-G3	19788	87	B1-U0-G4	20778	92	B1-U0-G4				
IV-FT-HS	16457	73				B1-U0-G4	17766	78	B1-U0-G4	18701	82	B1-U0-G4	19636	87	B1-U0-G4				

IES File downloads for this product can be found at www.usaltg.com/downloads/asr.html