

TENON MOUNTED ARM

XBZ27

PROJECT NAME: _____

PROJECT TYPE: _____

FEATURES

Arm

Durable corrosion resistant, cast aluminum construction.

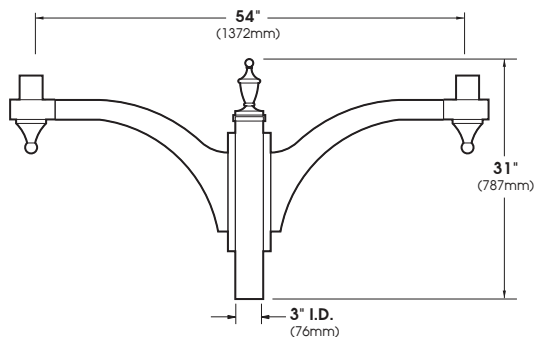
Finish

Electrostatically applied TGIC Polyester Powder Coat on substrate prepared with 20 PSI power wash at 140°F. Four step media blast and iron phosphate pretreatment for protection and paint adhesion. 400°F bake for maximum hardness and durability.

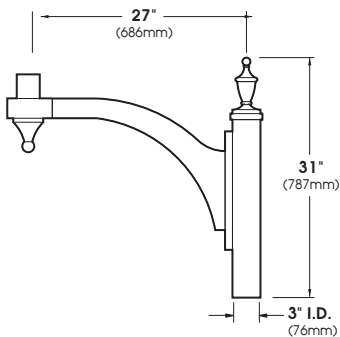


XBZ27-TM-UP

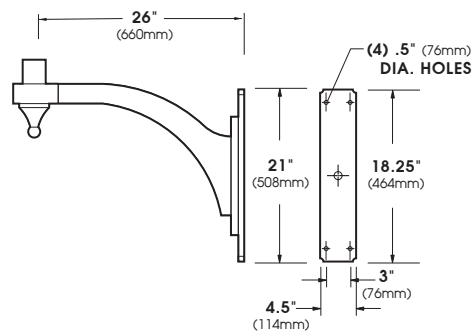
Patent pending



XBZ27-TM-UP-2-180
EPA = 1.23



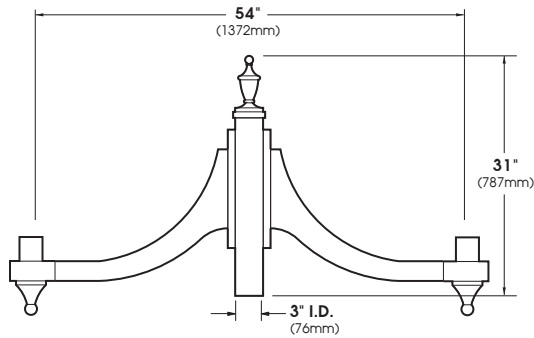
XBZ27-TM-UP-1
EPA = 1.12



XBZ27-TM-UP-WM
EPA = 0.83

SCALE: 1/2"=1'

XBZ27

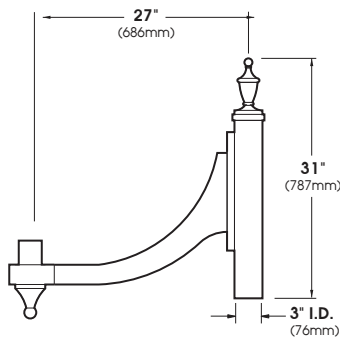


XBZ27-TM-DN-2-180
EPA = 1.23

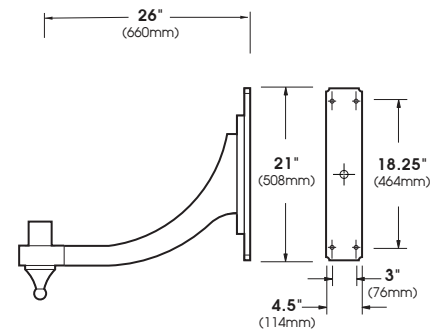


XBZ27-TM-DN

Patent pending



XBZ27-TM-DN-1
EPA = 1.12



XBZ27-TM-DN-WM
EPA = 0.83

ORDERING INFORMATION

Spec/Order Example: XBZ27-TM-UP-4-120/RAL-8019-S

Positioning	<input type="checkbox"/> XBZ27-TM-UP	<input type="checkbox"/> XBZ27-TM-DN						
Configuration	<input type="checkbox"/> XBZ27-WM	<input type="checkbox"/> XBZ27-1	<input type="checkbox"/> XBZ27-2-180	<input type="checkbox"/> XBZ27-3-180	<input type="checkbox"/> XBZ27-3-120	<input type="checkbox"/> XBZ27-4-120	<input type="checkbox"/> XBZ27-4-90	<input type="checkbox"/> XBZ27-5-90
Finish*	<input type="checkbox"/> Black RAL-9005-T	<input type="checkbox"/> White RAL-9003-T	<input type="checkbox"/> Grey RAL-7004-T	<input type="checkbox"/> Dark Bronze RAL-8019-T	<input type="checkbox"/> Green RAL-6005-T	<small>*Standard texture finish For smooth finish replace suffix "T" with suffix "S" (Example: RAL-9005-S) Consult factory for custom colors</small>		