

# 4200

## DIRECT BURIAL FIXTURE

### SPECIFICATIONS

**FIXTURE:** **ALUMINUM PRODUCT**-CONSTRUCTED OF PRIMARY 356 CAST ALUMINUM ALLOY.  
**BRONZE PRODUCT**-CONSTRUCTED OF PRIMARY 844 CAST BRONZE ALLOY.

**LENS:** CLEAR-CONVEX OR FLAT, 1/4" TEMPERED GLASS.

**OPTIONS:**

**FWL**-CLEAR FLAT WALKOVER LENS, 3/8" THICK TEMPERED GLASS.

**PFL**-PRISMATIC FLAT LENS, 1/2" THICK TEMPERED GLASS.

**GASKETING:** **LENS GASKET**-50 S.D.H. "A" SCALE HIGH TEMPERATURE EXTRUDED SILICONE.

**SPLICE COMPARTMENT GASKET**-60 S.D.H. "A" SCALE-DIE CUT NEOPRENE.

**LAMP HOLDER:** PAR 38/R40 INC - 4KV PORCELAIN MEDIUM BASE  
PAR 46 - MEDIUM END PRONG.  
PAR 20, 30, 38, R40 AND E-17/ED-17 HID UNITS  
4KV PORCELAIN MEDIUM BASE.  
PAR 56-MOGUL END PRONG.

**LAMP:** (BY OTHERS)-FIELD ADJUSTABLE TO 20° TILT-360° ON AXIS.

**OPTION:**

**WWS**-43° TILT.

**BALLAST:** HIGH POWER FACTOR AUTOTRANSFORMER  
-20°F STARTING TEMPERATURE.

**FASTENERS:** 18-8 STAINLESS STEEL OR SILICONE BRONZE.

**WIRING COMPONENTS:** 14 GAUGE 200°C TEMPERATURE RATING. 1/4"-20 GROUNDING LUG PROVIDED.

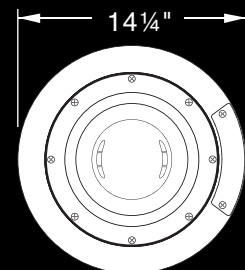
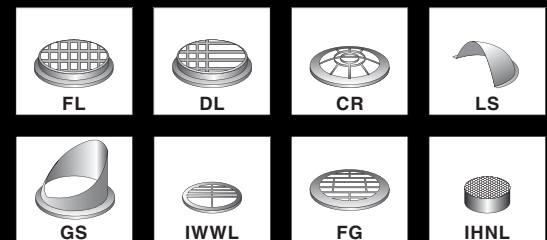
**SPLICE COMPARTMENT:** SUPPLIED WITH TWO (2) 3/4" NPT CONDUIT ENTRIES. SPLICE COMPARTMENT ISOLATED FROM THE LAMP COMPARTMENT BY AN ANTI-WICKING CHAMBER, SEALED WITH A EPOXY BASED RESIN.

**FINISH:** **ALUMINUM PRODUCT**-3 MIL STG IC THERMOSET EPOXY POWDER COATING.  
**BRONZE PRODUCT**-3 MIL STHICK BITUMINOUS COATING APPLIED TO THE EXTERIOR HOUSING

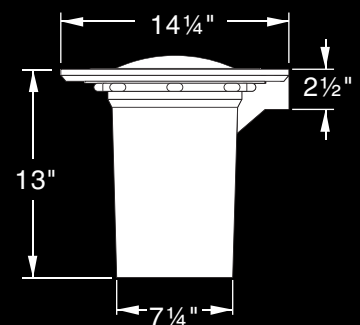
**TESTING:** FACTORY UNDER WATER POROSITY PRESSURE TEST TO 10 P.S.I.

FACTORY CERTIFIED UNDER WATER LEAK PREVENTION TEST ON 100% OF ALL FINISHED GOODS.

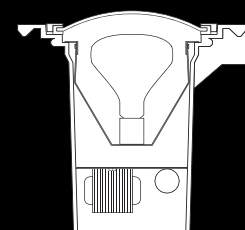
ETL LISTED FOR WET LOCATION AND CONCRETE POUR APPLICATIONS.



TOP VIEW



SIDE VIEW



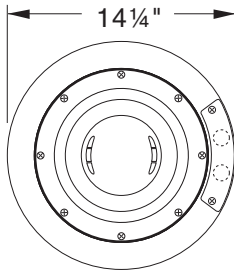
CROSS SECTION

# 4200

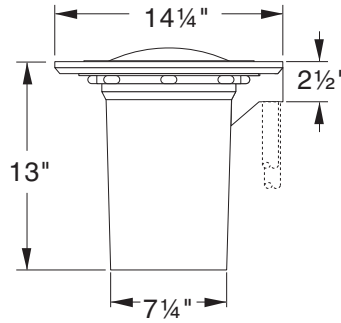
## DIRECT BURIAL FIXTURE

TYPE: \_\_\_\_\_

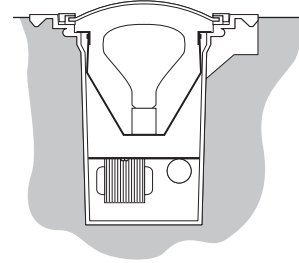
TOP VIEW



SIDE VIEW



CROSS SECTION



## ORDERING INFORMATION

MODEL NO. :  
4200

MODEL NO. :

4  
2  
0  
0

PART NUMBERS

### PART NUMBERS

- 4200-INC., PAR 38/R40, 300W
- 4200-INC., PAR 56, 500W
- 4200-MV 100 PAR 38, 100W
- 4200-HPS 70, E-17, 70W
- 4200-HPS 100, E-17, 100W
- 4200-HPS 150, E-17, 150W
- 4200-MH 35 PAR 20/30, 35W
- 4200-MH 50, E-17, 50W
- 4200-MH 70, PAR 38/R40, 70W
- 4200-MH 100, PAR 38/R40, 100W
- 4200-MH 150, ED-17, 150W
- 4200-MH 150, PAR 38, 150W
- 4200-MH 175, E-17, 175W
- 4200-MH 175, R40, 175W
- 4200-MH 175, ED-17, 175W

FINISH

### FINISH

- DARK BRONZE. . . . DB  
(STANDARD COLOR)
- BLACK. . . . .BK
- WHITE. . . . .WT
- ALUMINUM. . . . .AL

OPTIONS

### OPTIONS

- ALUMINUM. . . . . "A"
- BRONZE. . . . . "B"
- CONVEX LENS. . . . . "C"
- FLAT LENS. . . . . "F"
- FULL LOUVER. . . . . "FL"
- DIRECTIONAL LOUVER. . . . . "DL"
- CONVEX ROCKGUARD. . . . . "CR"
- LIGHT SHIELD. . . . . "LS"
- GLARE SHIELD. . . . . "GS"
- FLAT GRILL. . . . . "FG"
- FLAT WALKOVER LENS. . . . . "FWL"
- PRISMATIC FLAT LENS. . . . . "PFL"
- INTERNAL WALL WASH LOUVER. . . . . "IWWL"
- INTERNAL HONEYCOMB LOUVER. . . . . "IHNL"
- WALL WASH SYSTEM. . . . . "WWS"
- SPOT E LAMP REFLECTOR. . . . . "SER"
- FLOOD E LAMP REFLECTOR. . . . . "FER"

US ARCHITECTURAL. RESERVES THE RIGHT TO MAKE CONTINUED PRODUCT DESIGN AND CONSTRUCTION IMPROVEMENTS WHICH MAY AFFECT THE PRODUCT ILLUSTRATED

