

SOLID STATE AREA LIGHTING

GALAXY8 SERIES-LED

S P E C I F I C A T I O N S

HOUSING

Heavy cast low copper aluminum assembly (A356 alloy, <0.2% copper). Minimum wall thickness is .188". Housing attaches to pole via a one piece, cast aluminum arm and a gasketed wiring access cast aluminum door. Housing/pole junction is gasketed. All exposed hardware is stainless steel. Internal protected hardware is electro-zinc plated.

✓LED[®] OPTICAL MODULE

Low copper A356 alloy (<.2% copper) cast aluminum housing. Integrated clear tempered 3/16" glass lens sealed with a continuous silicone gasket protects emitters (LED's) and emitter Reflector-Prism optics, and seals the module from water intrusion and environmental contaminants. LED's are available in standard Neutral White (4000K), or optional Cool White (5000K) or Warm White (3000K). Each emitter is optically controlled by a Reflector-Prism injection molded from H12 acrylic (3 types per module; one from 0° - 50°; one from 50° - 65°; one from 65° - 72°). Each Reflector-Prism has indexing pins for aiming and is secured to an optical plate made of matte black anodized aluminum. The optical plate locates every Reflector-Prism over an emitter. Reflector-Prisms are secured to the optical plate with a UV curing adhesive. The Reflector-Prisms are arrayed to produce IES Type II, III, IV, and V-SQ distributions. The entire Optical Module is field rotatable in 90° increments. Both module and drivers are factory wired using water resistant, insulated cord. Lens, module and drivers are field replaceable.

LED EMITTERS

High Output LED's are driven at 350mA for nominal 1 Watt output each or 525mA for nominal 1.5 Watt output each. LED's are available in standard Neutral White (4000K), or optional Cool White (5000K) or Warm White (3000K). Consult Factory for other LED options.

LED DRIVER

UL and CUL recognized High Power Factor, Constant Current LED drivers operate on input voltages from 120-277VAC, 50/60hz. Consult Factory for 347-480VAC. Driver is mechanically fastened to a retaining bracket. Main power quick disconnect provided. Driver has a minimum 4KV of internal surge protection, 10KV & 20KV Surge Protector optional. Dimming and High-Low Driver options available.

FINISH

Electrostatically applied TGIC Polyester Powder Coat on substrate prepared with 20 PSI power wash at 140°F. Four step iron phosphate pretreatment for protection and paint adhesion. 400°F bake for maximum hardness and durability. Texture finish is standard.

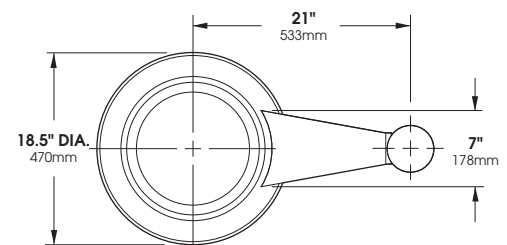
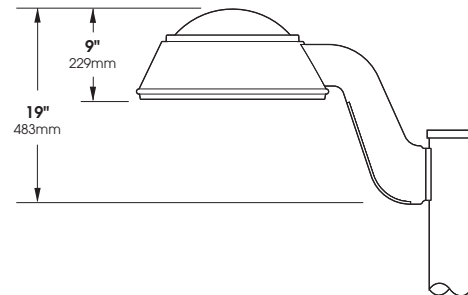
PROJECT NAME: _____

FIXTURE TYPE: _____



GLXM8

PATENT PENDING



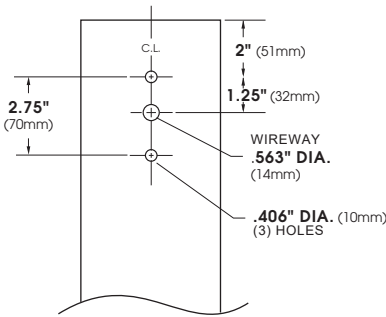
2018334



GALAXY8 SERIES - LED

S P E C I F I C A T I O N S

POLE DRILLING TEMPLATE



OVERVIEW

PRECISE CAST ALUMINUM LED MODULE. HOUSING IS VENTED TO PROVIDE AIR FLOW FOR THERMAL MANAGEMENT.

SELF CONTAINED, LENSED LED MODULE.

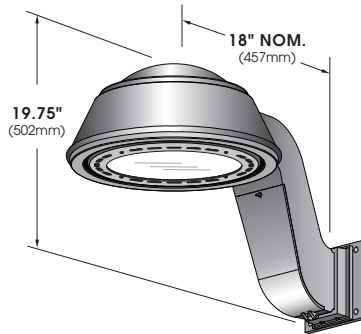
PROPRIETARY LED OPTICS SEALED IN LED MODULE.

LUXEON® REBEL LED EMITTERS.

LED DRIVER ACCEPTS FROM 100-277 VAC INPUT VOLTAGE.

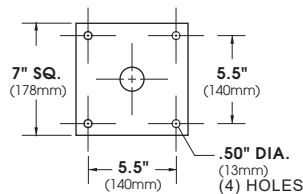
BALLAST TRAY IS REMOVABLE WITHOUT THE USE OF TOOLS FOR EASY ACCESS TO ELECTRICAL COMPONENTS.

WALL MOUNT

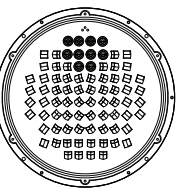
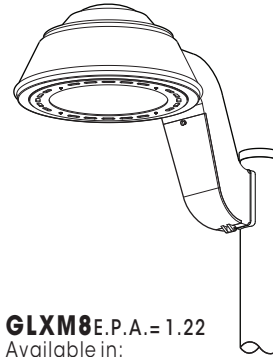


EXTRUDED ALUMINUM ARM AND CAST ALUMINUM WALL BRACKET ASSEMBLY PROVIDED WITH BUILT IN GASKETED WIRE ACCESS FOR FIXTURE/SUPPLY WIRE CONNECTION.

WALL PLATE



VLED® MODULES



80 LED Module

GLXM8 E.P.A. = 1.22
Available in:
80, 64 & 48
LED Module

MAX INPUT WATTAGE

# OF LED's	DRIVE CURRENT 350mA	DRIVE CURRENT 525mA
80	91W	130W
64	70W	105W
48	53W	79W

O R D E R I N G I N F O R M A T I O N

LUMINAIRE	OPTICS	# of LED's	DRIVE CURRENT	COLOR	VOLTAGE	MOUNTING	FINISH	OPTIONS
LUMINAIRE	OPTICS	LED		MOUNTING		FINISH	OPTIONS	
<input type="checkbox"/> GLXM8	VLED® IES DISTRIBUTION TYPE <input type="checkbox"/> VLED - II (Type-II) <input type="checkbox"/> VLED - III (Type-III) <input type="checkbox"/> VLED - IV (Type-IV) <input type="checkbox"/> VLED - VSQ (Type-VSQ)	<input type="checkbox"/> 80LED <input type="checkbox"/> 64LED <input type="checkbox"/> 48LED	<input type="checkbox"/> 350mA <input type="checkbox"/> 525mA	<input type="checkbox"/> NW (4000K) *STANDARD <input type="checkbox"/> CW (5000K) <input type="checkbox"/> WW (3000K) OTHER LED COLORS AVAILABLE CONSULT FACTORY	VOLTAGE <input type="checkbox"/> 120 <input type="checkbox"/> 208 <input type="checkbox"/> 240 <input type="checkbox"/> 277 <input type="checkbox"/> 347 <input type="checkbox"/> 480	ARM MOUNT <input type="checkbox"/> 1 <input type="checkbox"/> 2-180 <input type="checkbox"/> 2-90 <input type="checkbox"/> 3-90 <input type="checkbox"/> 3-120 <input type="checkbox"/> 4-90 WALL MOUNT <input type="checkbox"/> WM	STANDARD TEXTURED FINISH <input type="checkbox"/> BLACK RAL-9005-T <input type="checkbox"/> WHITE RAL-9003-T <input type="checkbox"/> GREY RAL-7004-T <input type="checkbox"/> DARK BRONZE RAL-8019-T <input type="checkbox"/> GREEN RAL-6005-T FOR SMOOTH FINISH REPLACE SUFFIX "T" WITH SUFFIX "S" (EXAMPLE: RAL-9500) SEE USALTG.COM FOR ADDITIONAL COLORS	<input type="checkbox"/> INTERNAL HOUSE SIDE SHIELDS... HS <input type="checkbox"/> EXTERNAL HOUSE SIDE SHIELD... EHS <input type="checkbox"/> DIMMABLE DRIVER(S) (0-10V)... DIM <input type="checkbox"/> HIGH-LOW DIMMING FOR HARDWIRED SWITCHING OR NON-INTEGRATED MOTION SENSOR... HLSW <input type="checkbox"/> PHOTO CELL + VOLTAGE (EXAMPLE: PC120V)... PC+V <input type="checkbox"/> TWIST LOCK PHOTOCELL RECEPTACLE ONLY... TPR <input type="checkbox"/> 10KV SURGE PROTECTOR... 10SP <input type="checkbox"/> 20KV SURGE PROTECTOR (277V & 480V Only)... 20SP

