

## TRADITIONAL STYLED BASE

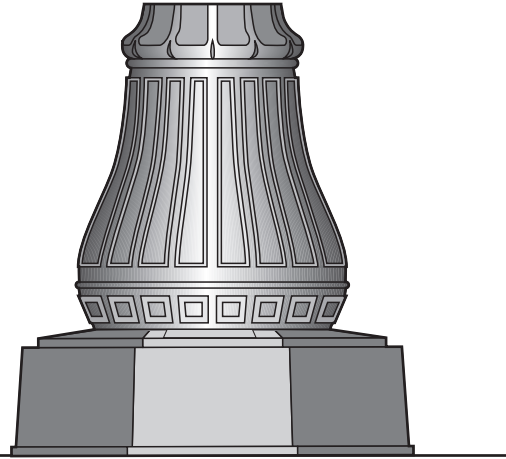
# 2000 Split Base Series

**Base**

Two piece decorative Base. No Hand Hole, no wiring access on decorative Base to prevent theft. Hand Hole Cover on Base welded to prevent access. Set Screws provided to secure decorative base to pole.

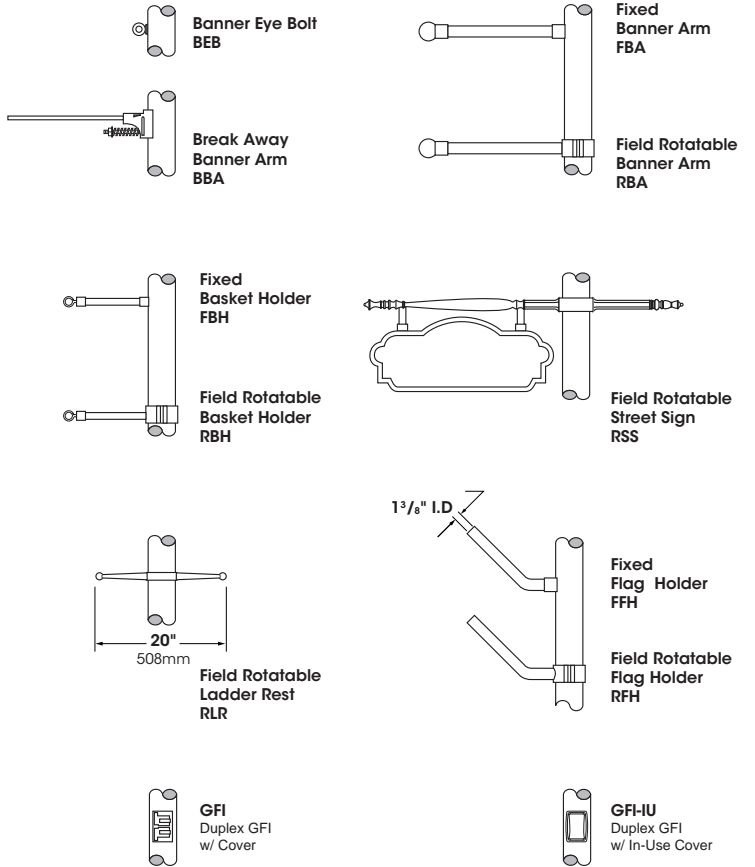
**Finish**

Super TGIC polyester powder coating is applied onto a metal substrate this has been pretreated with a four-stage process for maximum adhesion and color retention. The top coat is baked at 400° F for maximum hardness and exterior durability.


**2000SB**
**ORDERING INFORMATION**

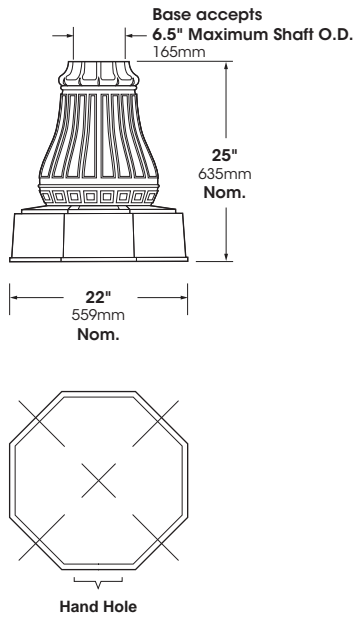
Spec/Order Example: 2000SB/RAL-9003-T/RBH

Base	Finish	Options
<input type="checkbox"/> <b>2000SB</b>	<b>Standard Textured Finish</b> <input type="checkbox"/> Black <b>RAL-9005-T</b> <input type="checkbox"/> White <b>RAL-9003-T</b> <input type="checkbox"/> Grey <b>RAL-7004-T</b> <input type="checkbox"/> Dark Bronze <b>RAL-8019-T</b> <input type="checkbox"/> Green <b>RAL-6005-T</b> <b>Premium Finishes</b> <input type="checkbox"/> Rust <input type="checkbox"/> Patina Copper <b>PC</b>  For smooth finish replace suffix "T" with suffix "S" (Example: RAL-9500-S)  Consult factory for custom colors	<input type="checkbox"/> Banner Eye Bolt <b>BEB</b> <sup>1</sup> <input type="checkbox"/> Break Away Banner Arm <b>BBA</b> <input type="checkbox"/> Fixed Banner Arm <b>FBA</b> <sup>1</sup> <input type="checkbox"/> Field Rotatable Banner Arm <b>RBA</b> <input type="checkbox"/> Fixed Basket Holder <b>FBH</b> <sup>1</sup> <input type="checkbox"/> Field Rotatable Basket Holder <b>RBH</b> <input type="checkbox"/> Field Rotatable Street Sign <b>RSS</b> <input type="checkbox"/> Field Rotatable Ladder Rest <b>RLR</b> <input type="checkbox"/> Fixed Flag Holder <b>FFH</b> <sup>1</sup> <input type="checkbox"/> Field Rotatable Flag Holder <b>RFH</b> <input type="checkbox"/> Duplex GFI w/ Cover <b>GFI</b> <sup>1</sup> <input type="checkbox"/> Duplex GFI w/ In-Use Cover <b>GFI-U</b> <sup>1</sup>  1- available only with the purchase of a new pole assembly from our factories.  *Field* options must specify the diameter of the pole (4" to 6" Dia. max.)

**OPTIONS**

<https://www.usaltg.com/downloads/pdf/Pole-Arm-Accessories.pdf>

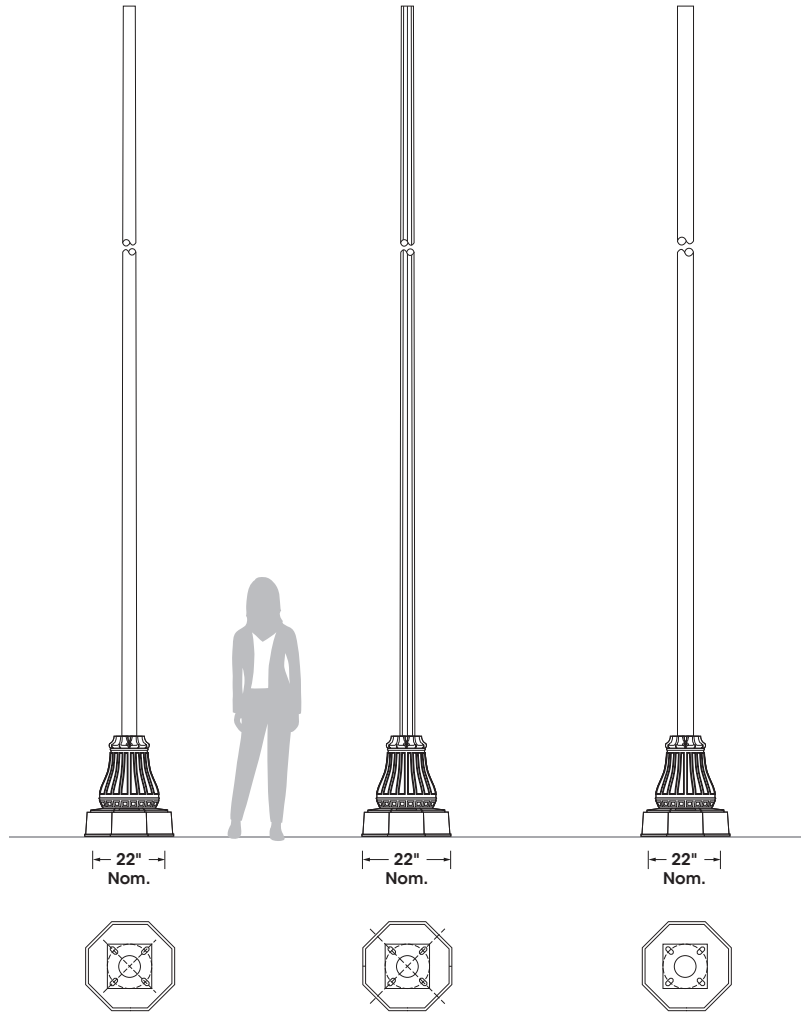
2024136

## DIMENSIONS



**Note:** Anchor Plate for Pole Assembly used with this decorative 2-pc Base must fit inside a 21" dia.

## SAMPLE ASSEMBLIES



SCALE: 1/4"=1'-0"

Sample Assemblies show small offering of Sun Valley's line of Poles & Shafts. Please visit [usaltg.com](http://usaltg.com) for full product catalog.