

TRADITIONAL STYLED BASE

2200 Series

Base

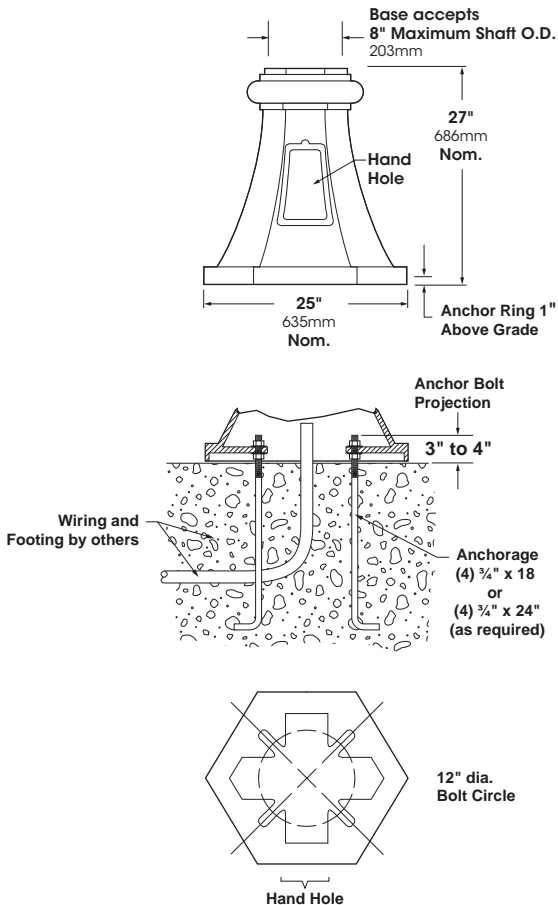
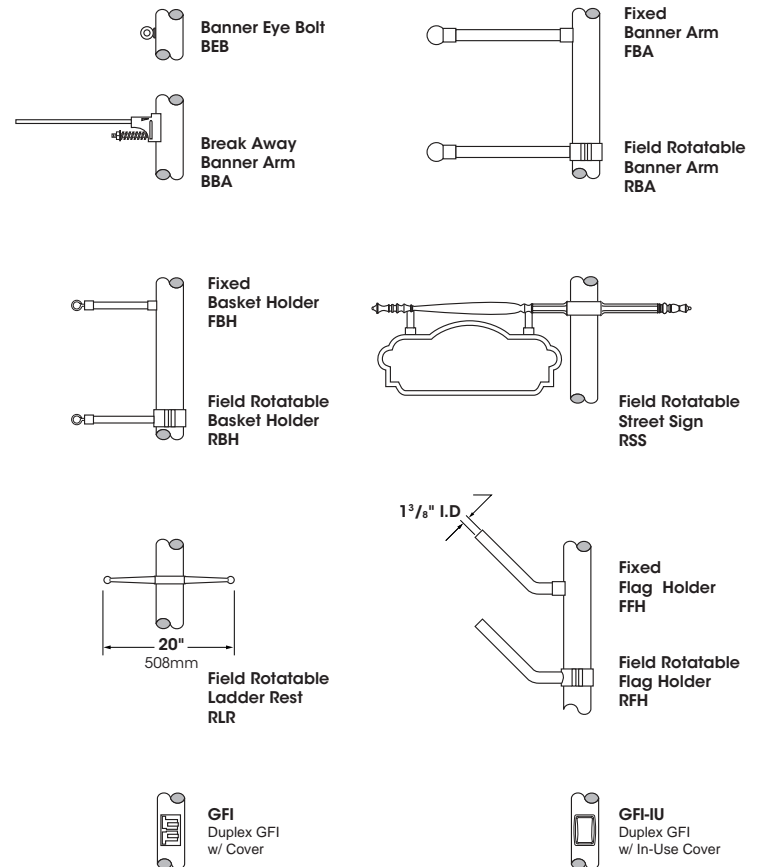
One piece corrosion resistant, durable cast aluminum construction. Minimum .275 wall thickness. Base is furnished with hand hole and cover. Hand hole cover supplied with tamper resistant hardware. Grounding lug provided inside base opposite hand hole.

Anchorage

A 3/4" cast aluminum anchor ring is welded 1" above bottom of base to accept (4) fully galvanized anchor bolts. Each bolt supplied with two nuts and two washers. Anchorage is fastened through hand hole.

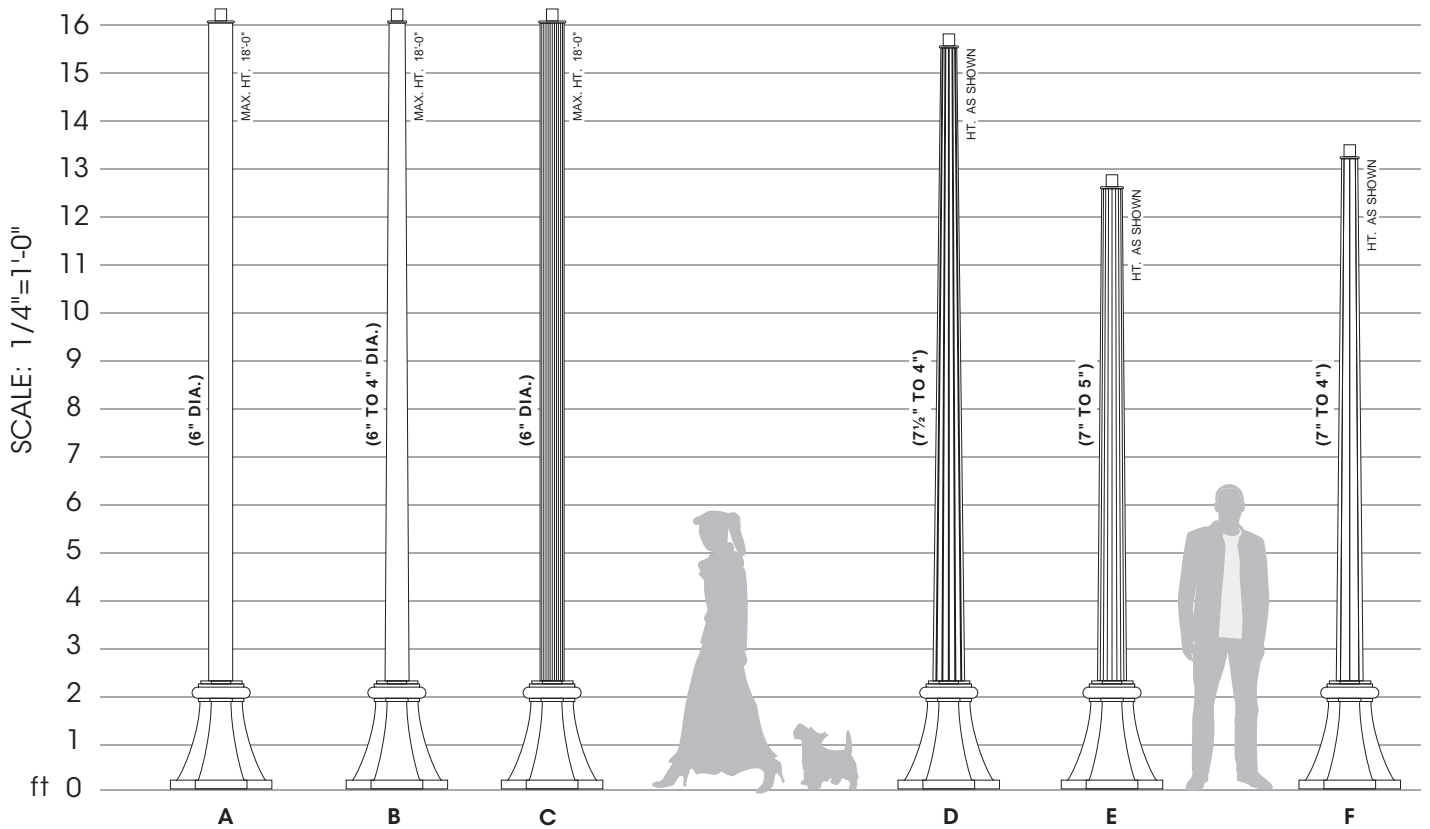
Finish

Electrostatically applied TGIC Polyester Powder Coat on substrate prepared with 20 PSI power wash at 140°F. Four step media blast and iron phosphate pretreatment for protection and paint adhesion. 400°F bake for maximum hardness and durability.


2200
ANCHORAGE DATA

OPTIONS

<https://www.usaltg.com/downloads/pdf/Pole-Arm-Accessories.pdf>

2024056

SAMPLE ASSEMBLIES



- A. 22-1090-XX-PT27/OPTIONS
- B. 22-1046T-XX-PT27/OPTIONS
- C. 22-1080-XX-PT27/OPTIONS
- D. 22-1050C-XX-PT27/OPTIONS
- E. 22-1075C-XX-PT27/OPTIONS
- F. 22-1080C-XX-PT27/OPTIONS

Note: XX represents height, example 10 foot and 6 inches will be written as 10'-6": 22-1040-10'-6"-PT27/OPTIONS/FINISH.

Sample Assemblies show a small offering of the Sun Valley Line of Poles & Shafts.

Please visit usaltg.com for the full product offering.

TRADITIONAL STYLED BASE

2300 Series

Base

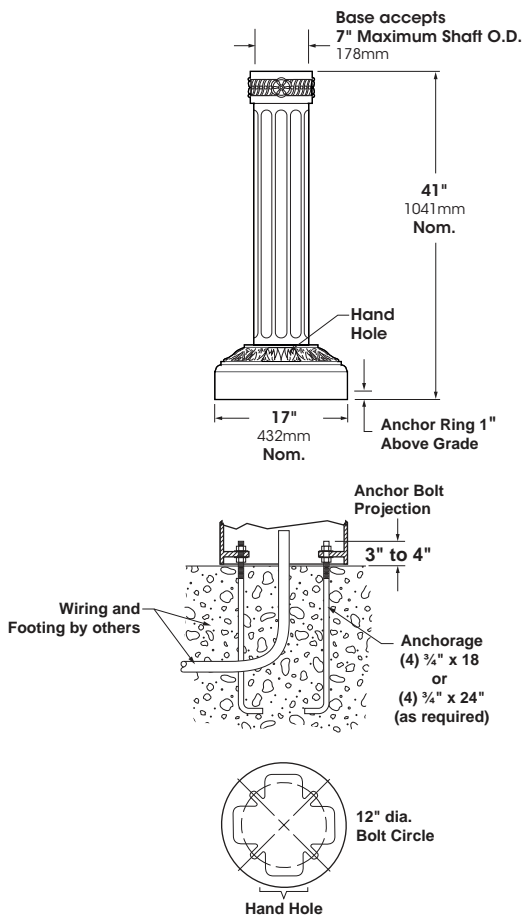
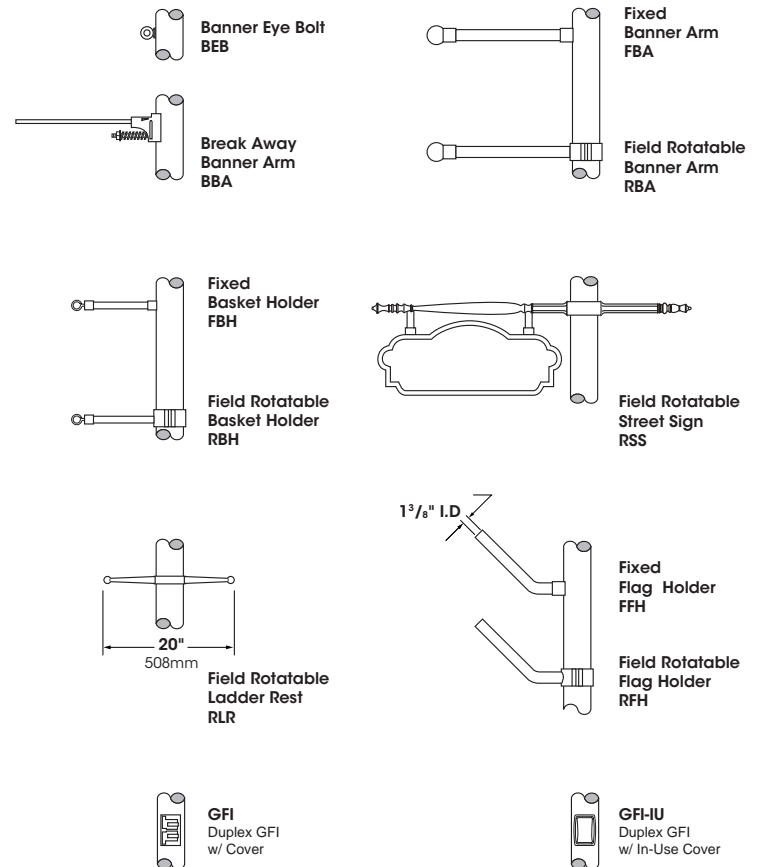
One piece corrosion resistant, durable cast aluminum construction. Minimum .225 wall thickness. Base consists of a smooth bottom section, and a fluted top section with a decorative Collar. Base is furnished with Hand Hole and Cover. Hand Hole Cover supplied with tamper resistant hardware. Grounding Lug provided inside base opposite Hand Hole.

Anchorage

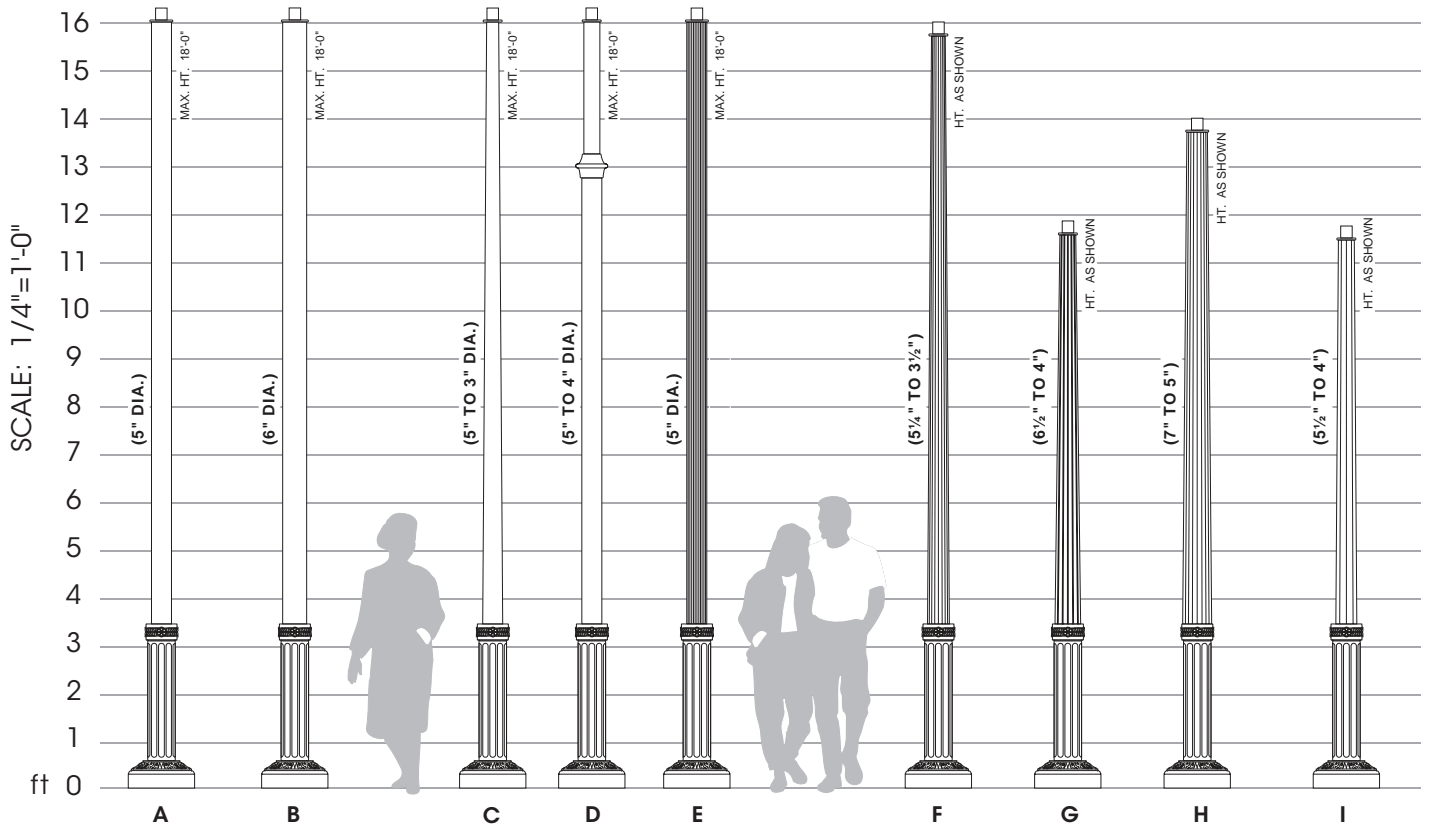
A 3/4" cast aluminum anchor ring is welded 1" above bottom of base to accept (4) fully galvanized anchor bolts. Each bolt supplied with two nuts and two washers. Anchorage is fastened through hand hole.

Finish

Electrostatically applied TGIC Polyester Powder Coat on substrate prepared with 20 PSI power wash at 140°F. Four step media blast and iron phosphate pretreatment for protection and paint adhesion. 400°F bake for maximum hardness and durability.


2300
ANCHORAGE DATA

OPTIONS

<https://www.usaltg.com/downloads/pdf/Pole-Arm-Accessories.pdf>

2024056

SAMPLE ASSEMBLIES


- A. 23-1050-XX-PT27/OPTIONS
- B. 23-1090-XX-PT27/OPTIONS
- C. 23-1035T-XX-PT27/OPTIONS
- D. 23-5040-XX-PT27/OPTIONS
- E. 23-1070-XX-PT27/OPTIONS
- F. 23-1030C-XX-PT27/OPTIONS
- G. 23-1050-XX-PT27C/OPTIONS
- H. 23-1075C-XX-PT27/OPTIONS
- I. 23-1058C-XX-PT27/OPTIONS

Note: XX represents height, example 10 foot and 6 inches will be written as 10'-6": 23-1040-10'-6"-PT27/OPTIONS.

Sample Assemblies show a small offering of the Sun Valley Line of Poles & Shafts.
 Please visit usaltg.com for the full product offering.

TRADITIONAL STYLED BASE

2400 Series

Base

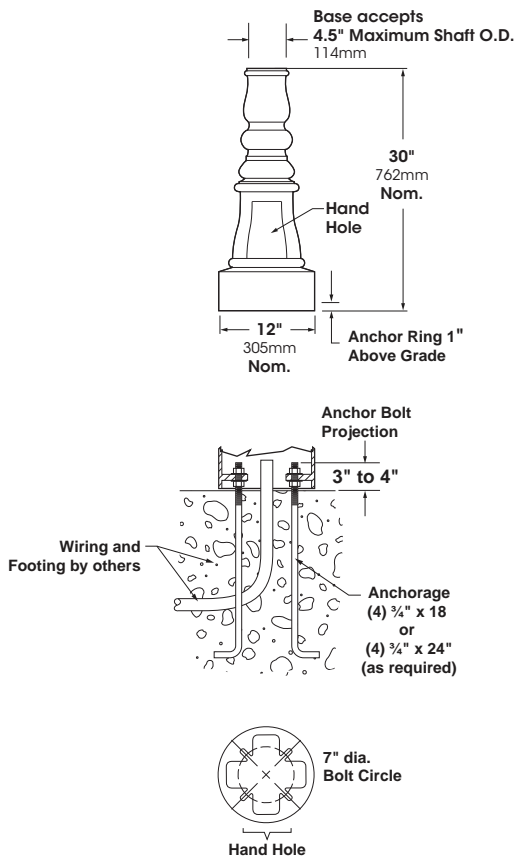
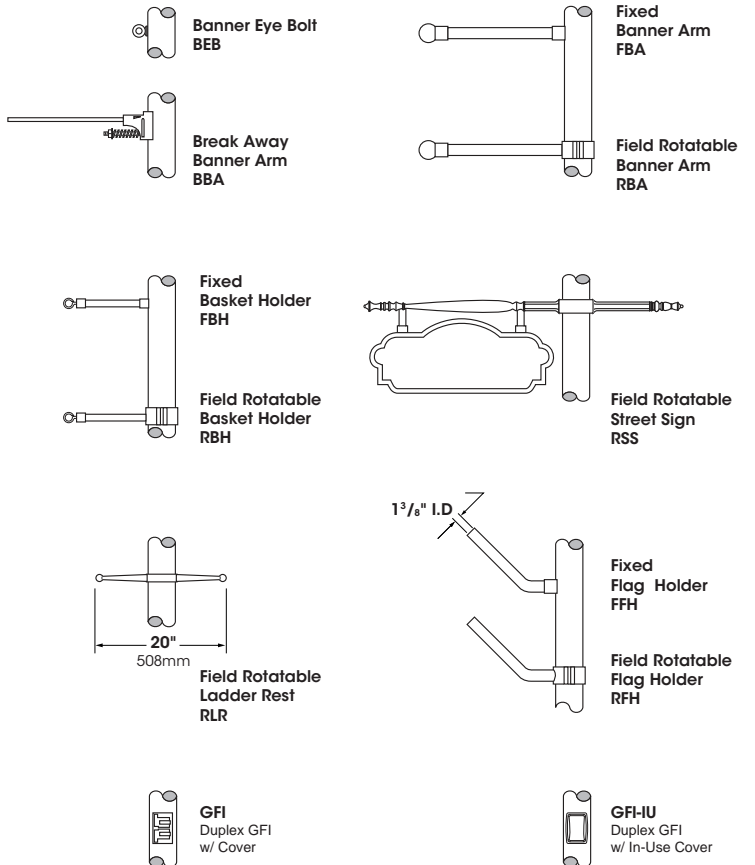
One piece corrosion resistant, durable cast aluminum construction. Minimum .225 wall thickness. Base consists of a smooth, stepped bottom section and a decorative top section provided with Hand Hole and Cover. Hand hole cover supplied with tamper resistant hardware. Grounding lug provided inside base opposite Hand Hole.

Anchorage

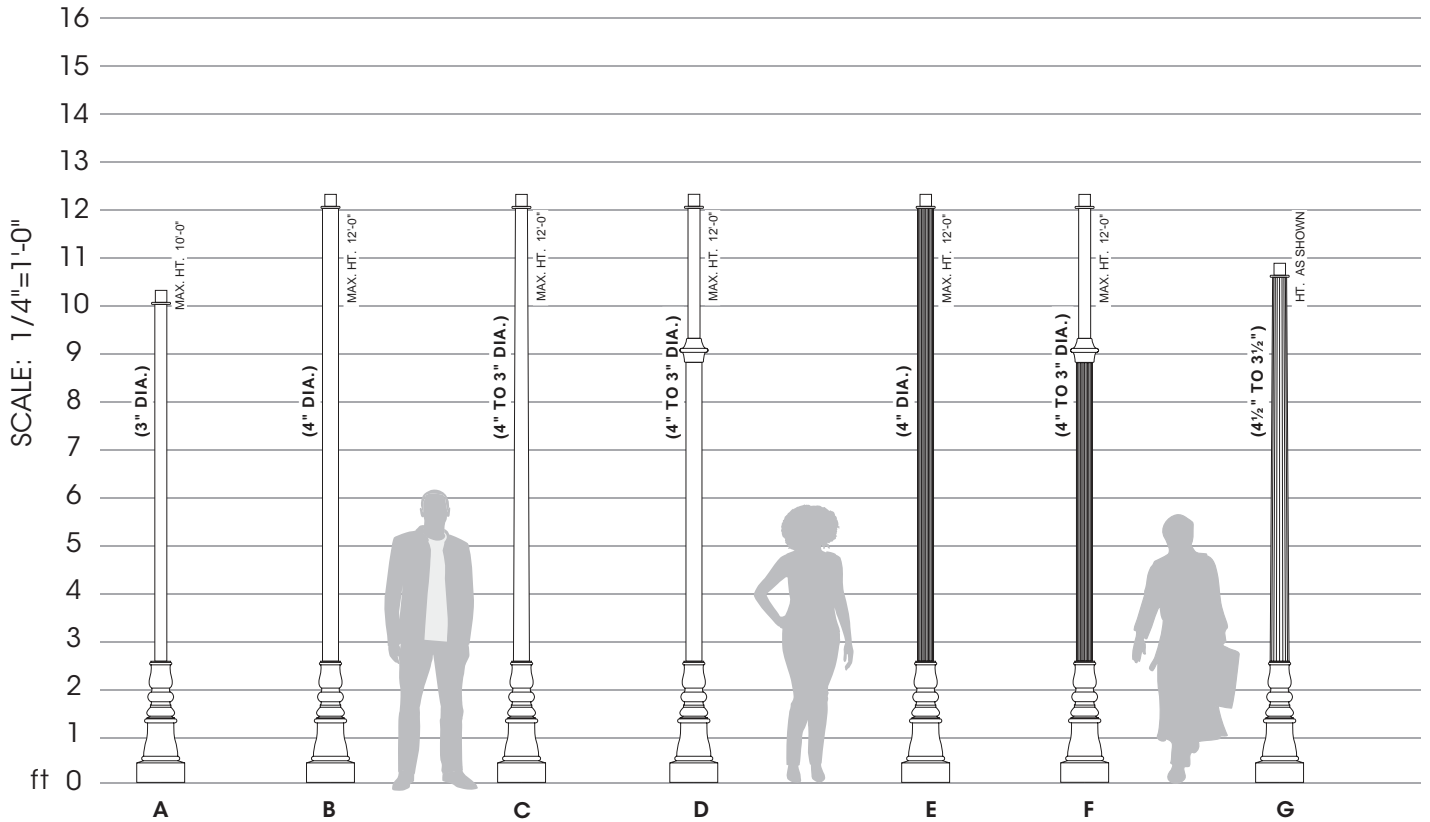
A 3/4" cast aluminum anchor ring is welded 1" above bottom of base to accept (4) fully galvanized anchor bolts. Each bolt supplied with two nuts and two washers. Anchorage is fastened through hand hole.

Finish

Electrostatically applied TGIC Polyester Powder Coat on substrate prepared with 20 PSI power wash at 140°F. Four step media blast and iron phosphate pretreatment for protection and paint adhesion. 400°F bake for maximum hardness and durability.


2400
ANCHORAGE DATA

OPTIONS

<https://www.usaltg.com/downloads/pdf/Pole-Arm-Accessories.pdf>

2024056

SAMPLE ASSEMBLIES


- A. 24-1030-XX-PT27/OPTIONS
- B. 24-1040-XX-PT27/OPTIONS
- C. 24-1030T-XX-PT27/OPTIONS
- D. 24-4030-XX-PT27/OPTIONS
- E. 24-1060-XX-PT27/OPTIONS
- F. 24-6030-XX-PT27/OPTIONS
- G. 24-1030C-XX-PT27/OPTIONS

Note: XX represents height, example 10 foot and 6 inches will be written as 10'-6": 24-1040-10'-6"-PT27/OPTIONS.

Sample Assemblies show a small offering of the Sun Valley Line of Poles & Shafts.

Please visit usaltg.com for the full product offering.

TRADITIONAL STYLED BASE

2500 Series

Base

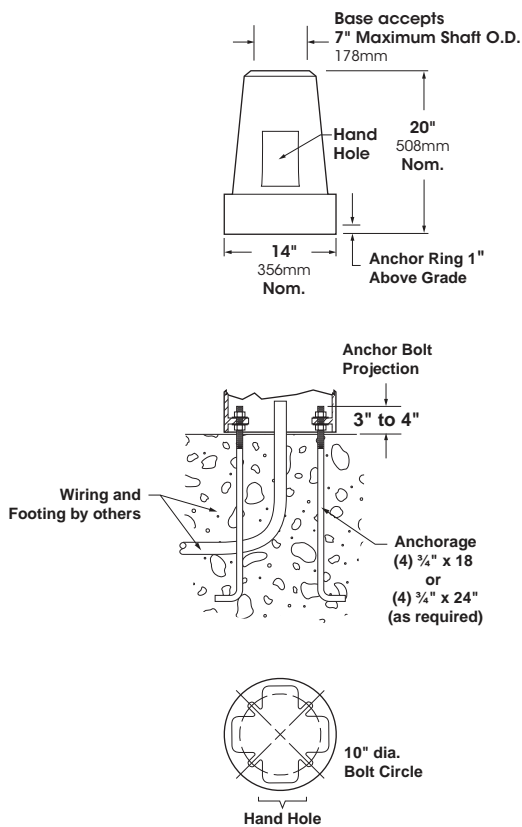
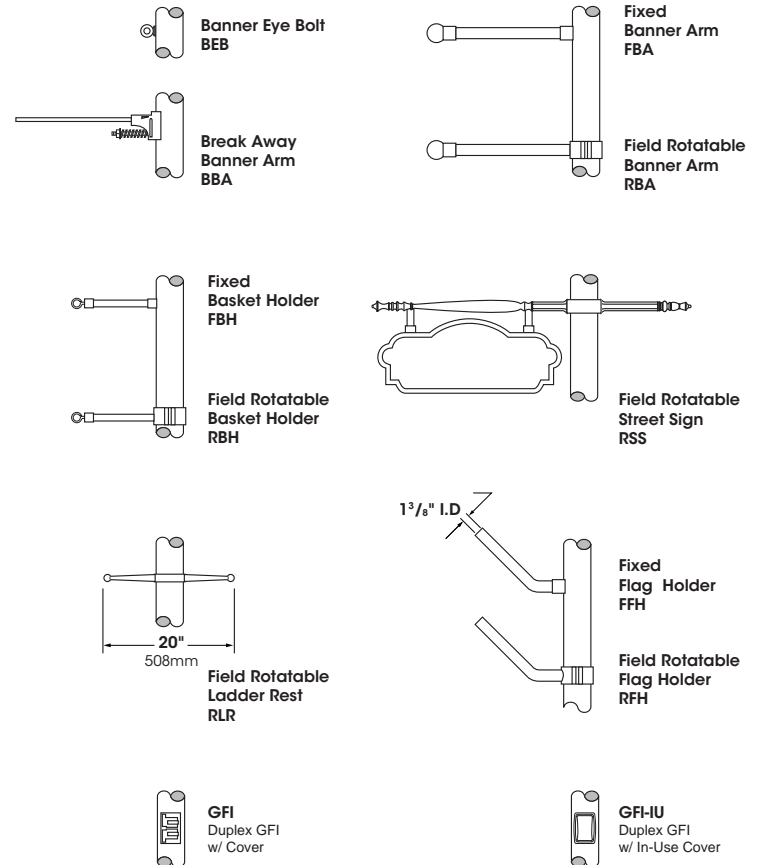
One piece, corrosion resistant durable cast aluminum construction. Minimum .225 wall thickness. Base consists of a smooth, bottom section and a decorative top section. Base is furnished with hand hole and cover. Hand hole cover supplied with tamper resistant hardware. Grounding lug provided inside base opposite hand hole.

Anchorage

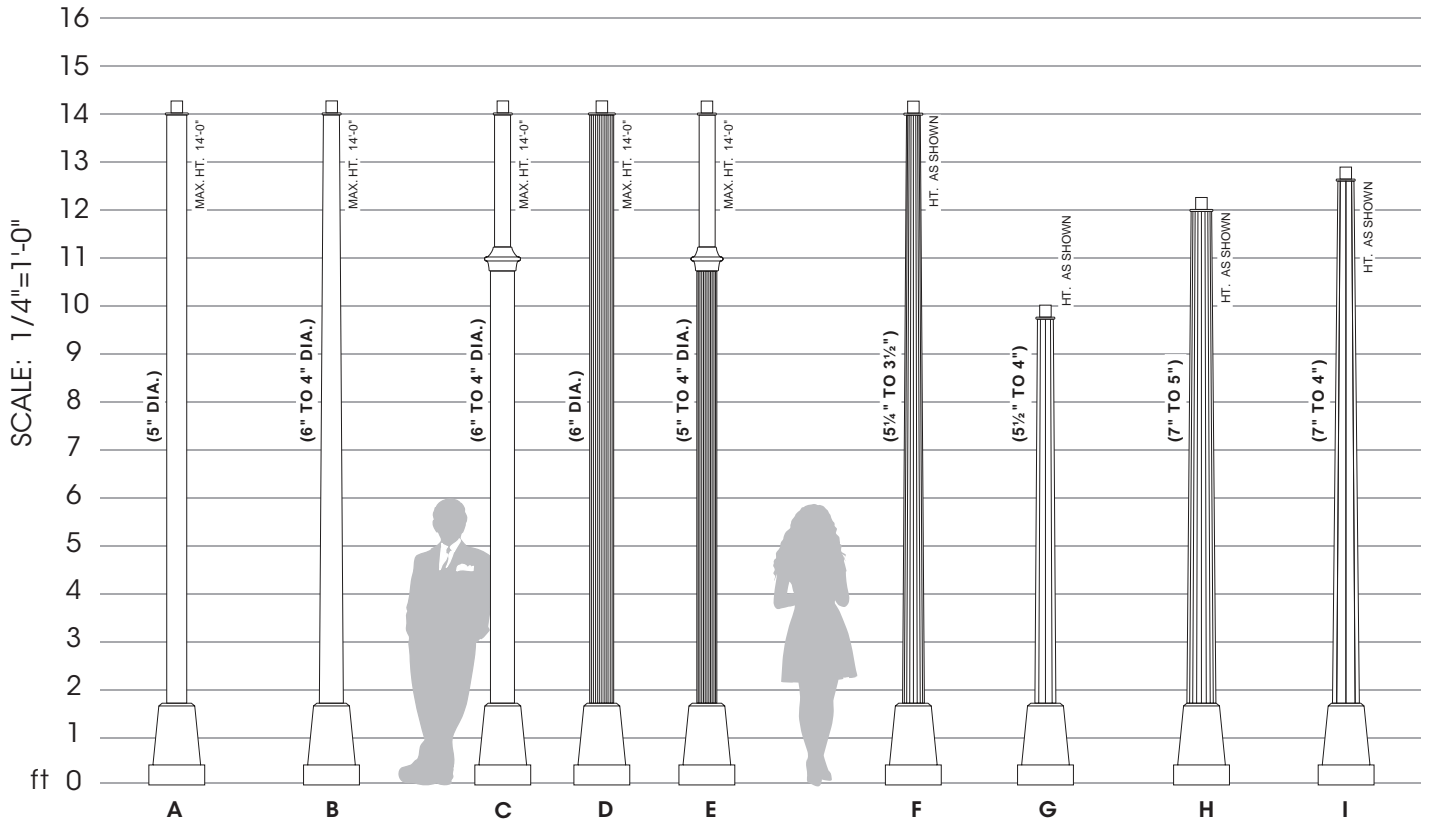
A 3/4" cast aluminum anchor ring is welded 1" above bottom of base to accept (4) fully galvanized anchor bolts. Each bolt supplied with two nuts and two washers. Anchorage is fastened through hand hole.

Finish

Electrostatically applied TGIC Polyester Powder Coat on substrate prepared with 20 PSI power wash at 140°F. Four step media blast and iron phosphate pretreatment for protection and paint adhesion. 400°F bake for maximum hardness and durability.


2500
ANCHORAGE DATA

OPTIONS

<https://www.usaltg.com/downloads/pdf/Pole-Arm-Accessories.pdf>

2024056

SAMPLE ASSEMBLIES


- A. 25-1050-XX-PT27/OPTIONS
- B. 25-1046T-XX-PT27/OPTIONS
- C. 25-9040-XX-PT27/OPTIONS
- D. 25-1080-XX-PT27/OPTIONS
- E. 25-7040-XX-PT27/OPTIONS
- F. 25-1030C-XX-PT27/OPTIONS
- G. 25-1058C-XX-PT27/OPTIONS
- H. 25-1075C-XX-PT27/OPTIONS
- I. 25-1080C-XX-PT27/OPTIONS

Note: XX represents height, example 10 foot and 6 inches will be written as 10'-6": 25-1040-10'-6"-PT27/OPTIONS.

Sample Assemblies show a small offering of the Sun Valley Line of Poles & Shafts.

Please visit usaltg.com for the full product offering.

TRADITIONAL STYLED BASE

2600 Series

Base

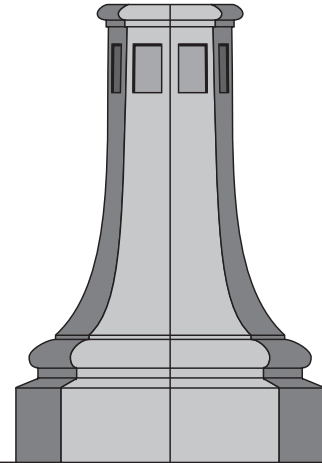
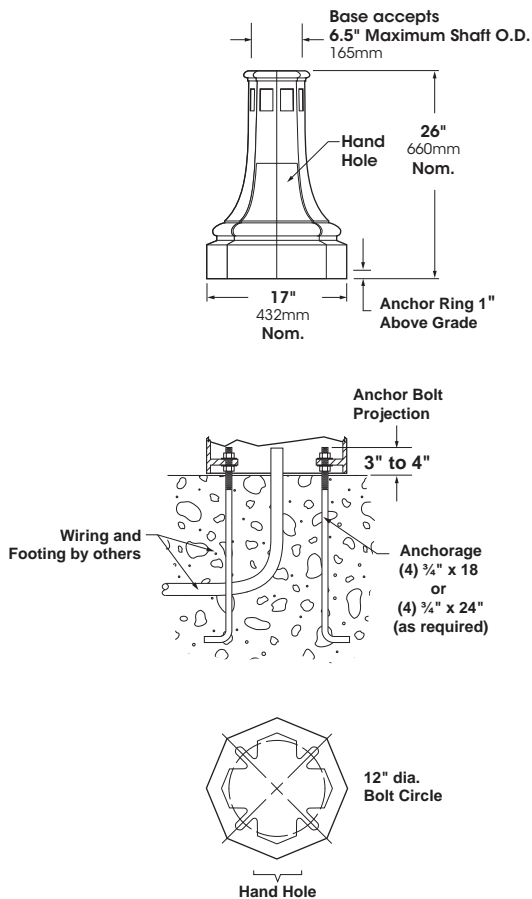
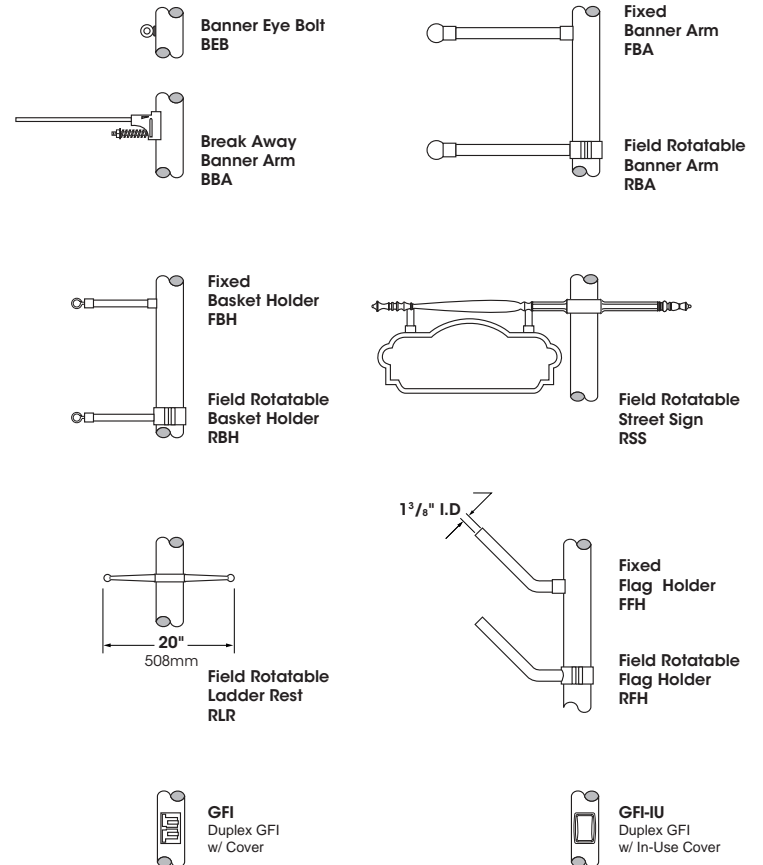
One piece corrosion resistant, durable cast aluminum construction. Minimum .210 wall thickness. Base consists of an octagonal lower section and an octagonal tapered upper section containing a flush Hand Hole Cover conforming to Base design. Hand Hole Cover supplied with tamper resistant hardware. Grounding Lug provided inside Base opposite Hand Hole.

Anchorage

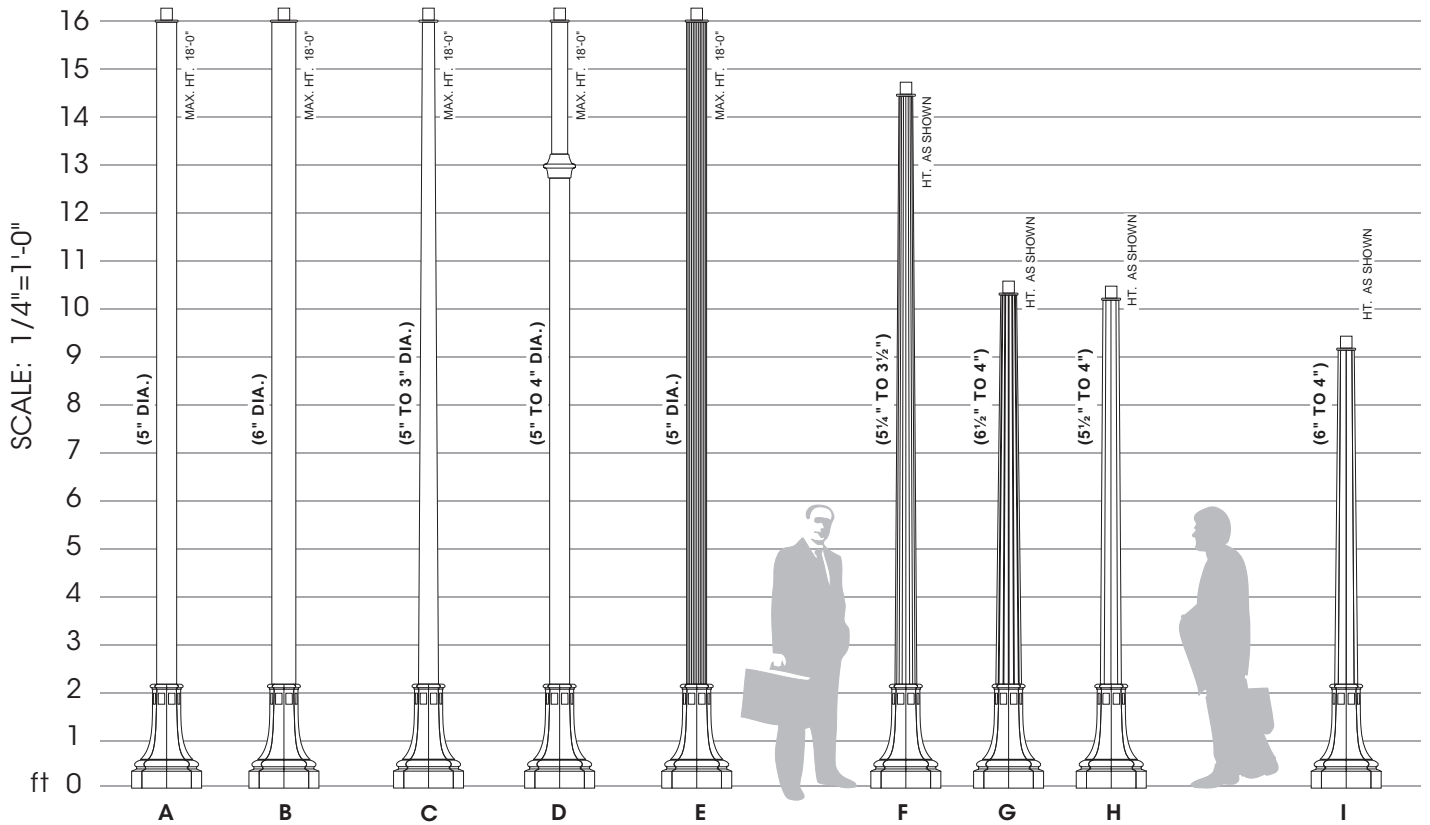
A 3/4" cast aluminum anchor ring is welded 1" above bottom of base to accept (4) fully galvanized anchor bolts. Each bolt supplied with two nuts and two washers. Anchorage is fastened through hand hole.

Finish

Electrostatically applied TGIC Polyester Powder Coat on substrate prepared with 20 PSI power wash at 140°F. Four step media blast and iron phosphate pretreatment for protection and paint adhesion. 400°F bake for maximum hardness and durability.


2600
ANCHORAGE DATA

OPTIONS

<https://www.usaltg.com/downloads/pdf/Pole-Arm-Accessories.pdf>

2024056

SAMPLE ASSEMBLIES


- A. 26-1050-XX-PT27/OPTIONS
- B. 26-1090-XX-PT27/OPTIONS
- C. 26-1035T-XX-PT27/OPTIONS
- D. 26-5040-XX-PT27/OPTIONS
- E. 26-1070-XX-PT27/OPTIONS
- F. 26-1030C-XX-PT27/OPTIONS
- G. 26-1050C-XX-PT27/OPTIONS
- H. 26-1058C-XX-PT27/OPTIONS
- I. 26-1080C-XX-PT27/OPTIONS

Note: XX represents height, example 10 foot and 6 inches will be written as 10'-6": 26-1040-10'-6"-PT27/OPTIONS.

Sample Assemblies show a small offering of the Sun Valley Line of Poles & Shafts.

Please visit usaltg.com for the full product offering.

TRADITIONAL STYLED BASE

2700 Series

Base

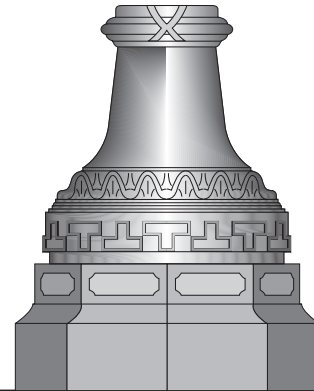
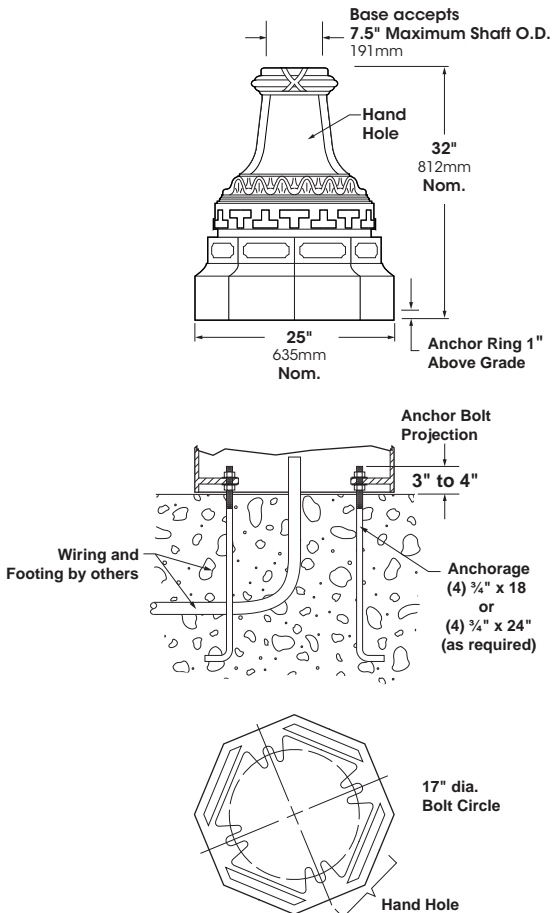
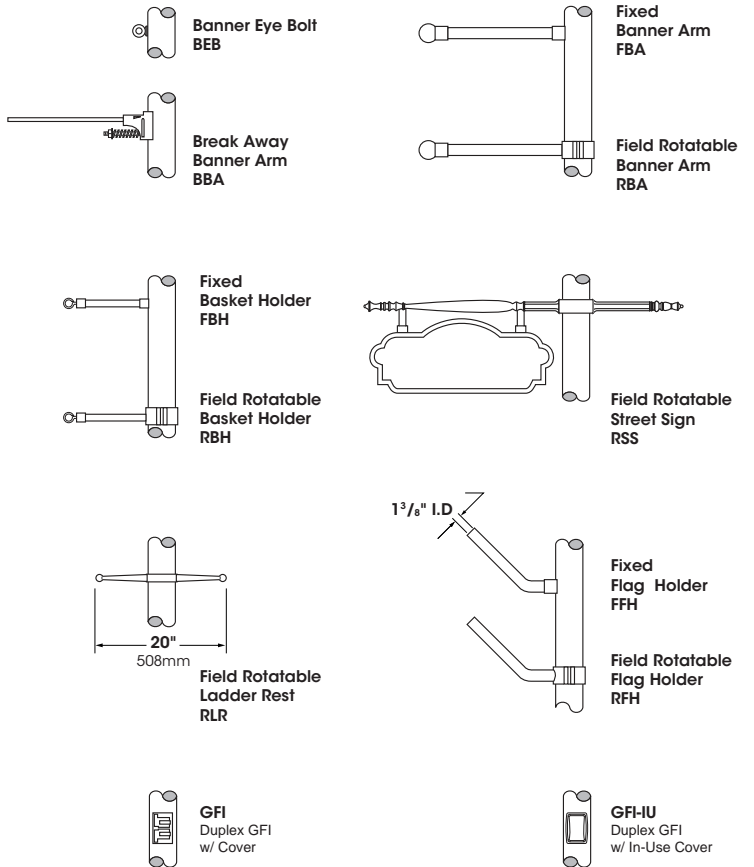
One piece corrosion resistant durable cast aluminum construction. Base consists of an octagonal bottom section and a decorative top section. Base is furnished with Hand Hole and Cover. Hand Hole Cover supplied with tamper resistant hardware. Grounding Lug provided inside Base opposite Hand Hole.

Anchorage

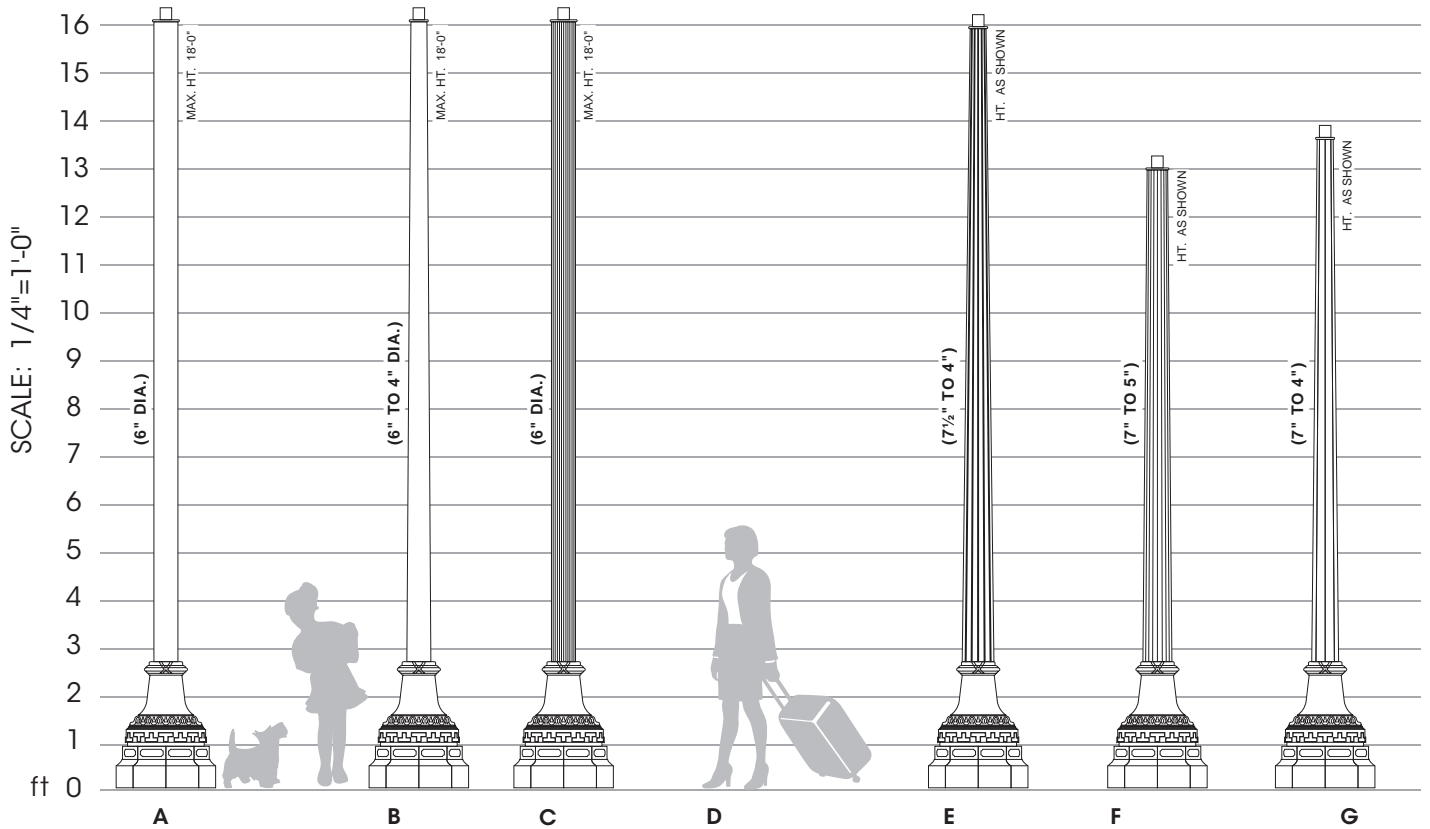
A 3/4" cast aluminum anchor ring is welded 1" above bottom of base to accept (4) fully galvanized anchor bolts. Each bolt supplied with two nuts and two washers. Anchorage is fastened through hand hole.

Finish

Electrostatically applied TGIC Polyester Powder Coat on substrate prepared with 20 PSI power wash at 140°F. Four step media blast and iron phosphate pretreatment for protection and paint adhesion. 400°F bake for maximum hardness and durability.


2700
ANCHORAGE DATA

OPTIONS

<https://www.usaltg.com/downloads/pdf/Pole-Arm-Accessories.pdf>

2024056

SAMPLE ASSEMBLIES


- A. 27-1090-XX-PT27/OPTIONS
- B. 27-1046T-XX-PT27/OPTIONS
- C. 27-1080-XX-PT27/OPTIONS
- D. 27-1050C-XX-PT27/OPTIONS
- E. 27-1075C-XX-PT27/OPTIONS
- F. 27-1080C-XX-PT27/OPTIONS

Note: XX represents height, example 10 foot and 6 inches will be written as 10'-6": 27-1040-10'-6"-PT27/OPTIONS.

Sample Assemblies show a small offering of the Sun Valley Line of Poles & Shafts.

Please visit usaltg.com for the full product offering.

TRADITIONAL STYLED BASE

2800 Series

Base

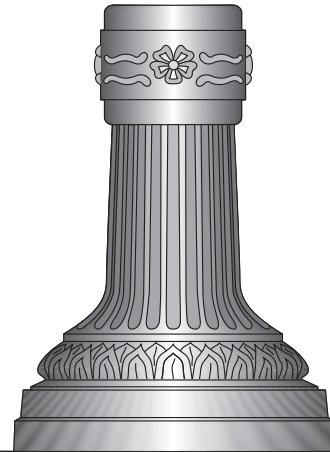
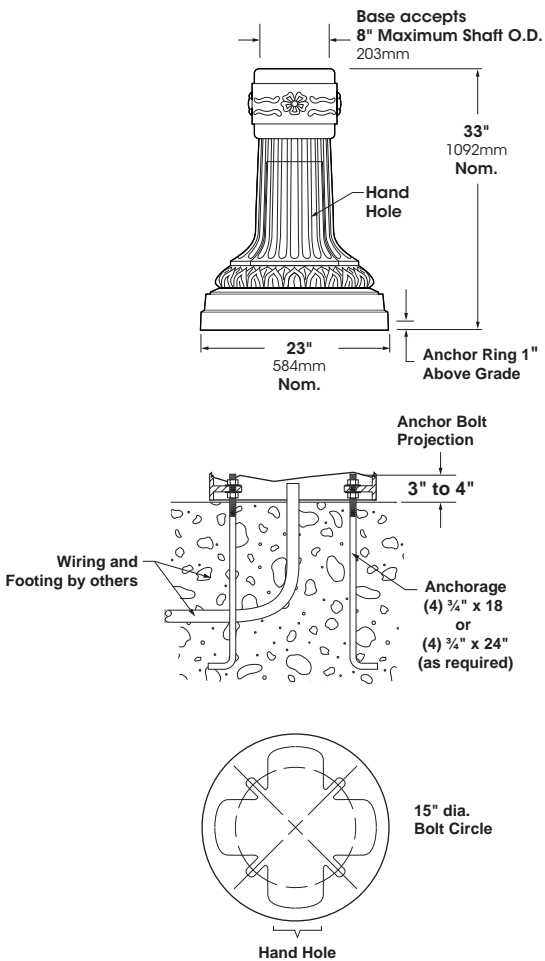
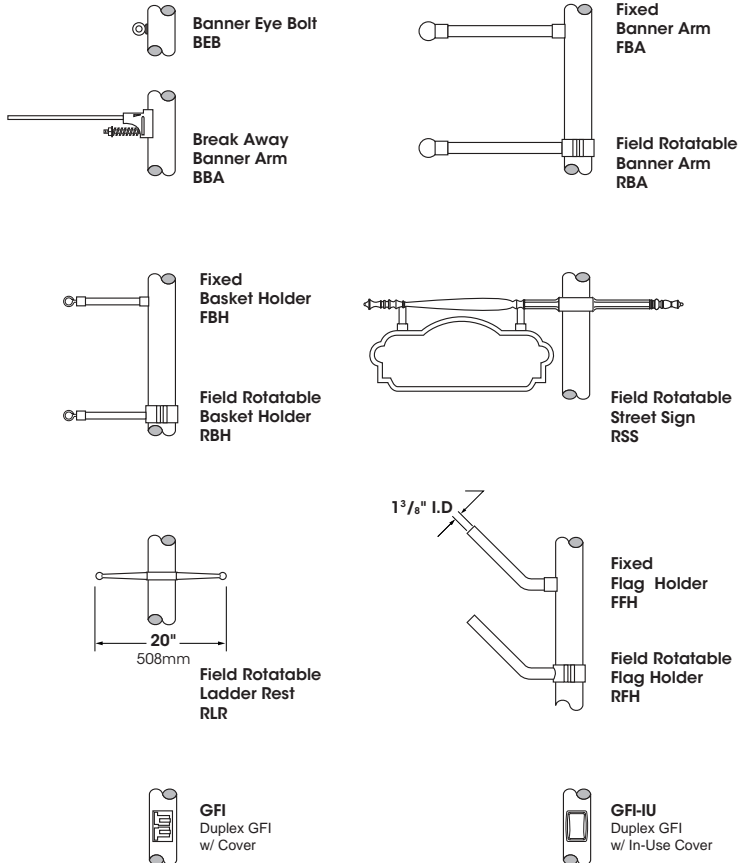
One piece corrosion resistant, durable cast aluminum construction. Minimum .210 wall thickness. Base consists of a smooth, tapered bottom section, and a highly detailed, decorative fluted section, a decorative cast aluminum Collar and a fluted Hand Hole Cover contoured to Base design. Base is furnished with Hand Hole and Cover. Hand Hole Cover supplied with tamper resistant hardware. Grounding Lug provided inside Base opposite Hand Hole.

Anchorage

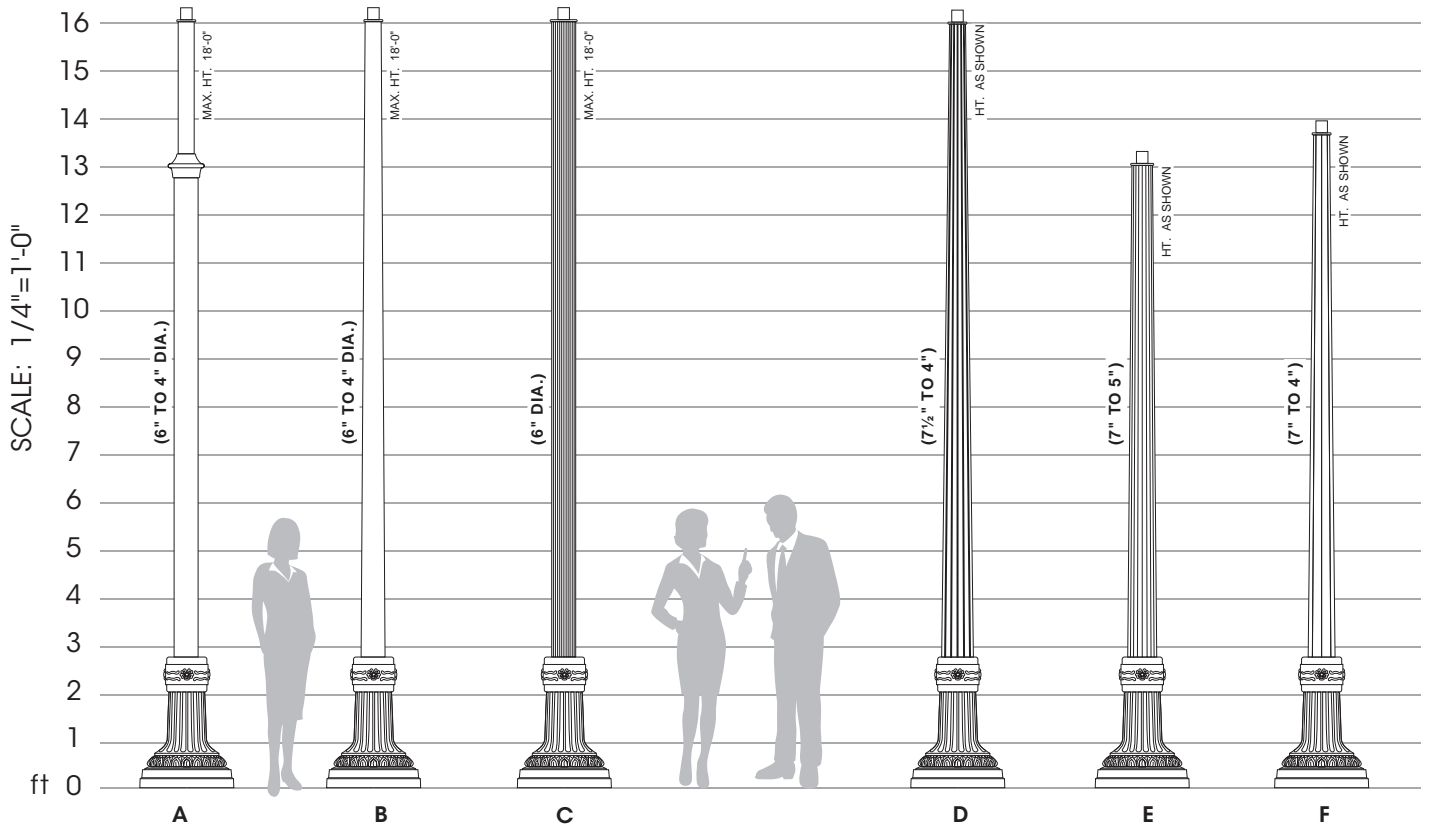
A 3/4" cast aluminum anchor ring is welded 1" above bottom of base to accept (4) fully galvanized anchor bolts. Each bolt supplied with two nuts and two washers. Anchorage is fastened through hand hole.

Finish

Electrostatically applied TGIC Polyester Powder Coat on substrate prepared with 20 PSI power wash at 140°F. Four step media blast and iron phosphate pretreatment for protection and paint adhesion. 400°F bake for maximum hardness and durability.

ANCHORAGE DATA

2800
OPTIONS

<https://www.usaltg.com/downloads/pdf/Pole-Arm-Accessories.pdf>

2024056

SAMPLE ASSEMBLIES


- A. 28-9040-XX-PT27/OPTIONS
- B. 28-1046T-XX-PT27/OPTIONS
- C. 28-1080-XX-PT27/OPTIONS
- D. 28-1050C-XX-PT27/OPTIONS
- E. 28-1075C-XX-PT27/OPTIONS
- F. 28-1080C-XX-PT27/OPTIONS

Note: XX represents height, example 10 foot and 6 inches will be written as 10'-6": 28-1040-10'-6"-PT27/OPTIONS.

Sample Assemblies show a small offering of the Sun Valley Line of Poles & Shafts.

Please visit usaltg.com for the full product offering.

TRADITIONAL STYLED BASE

2900 Series

Base

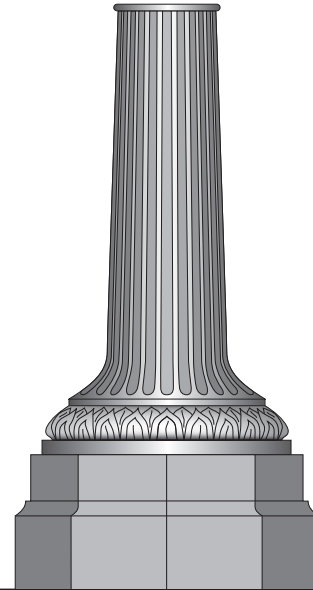
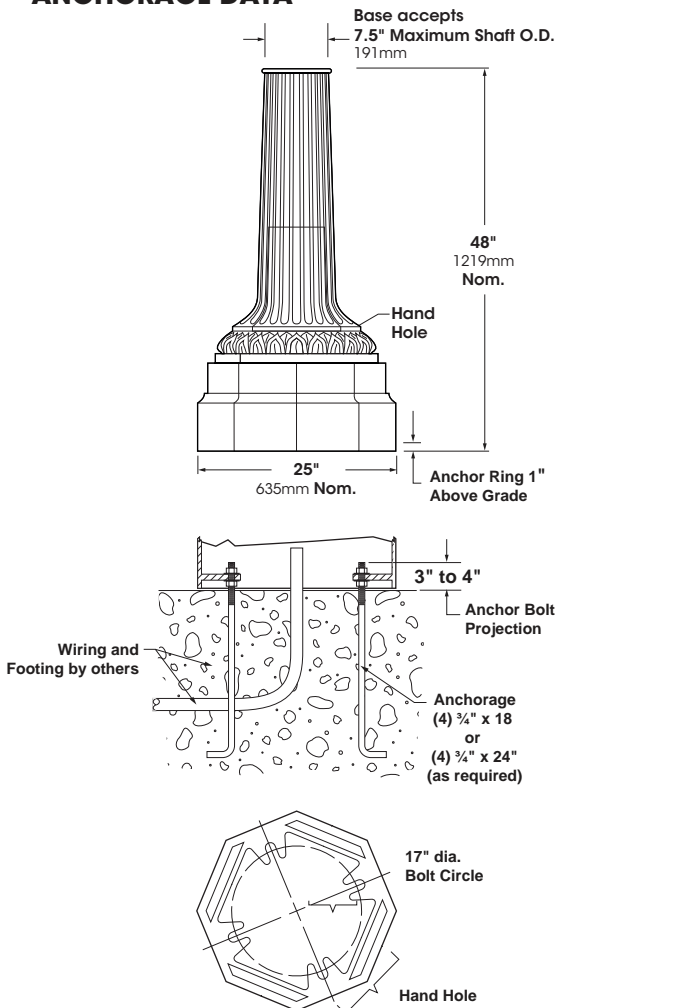
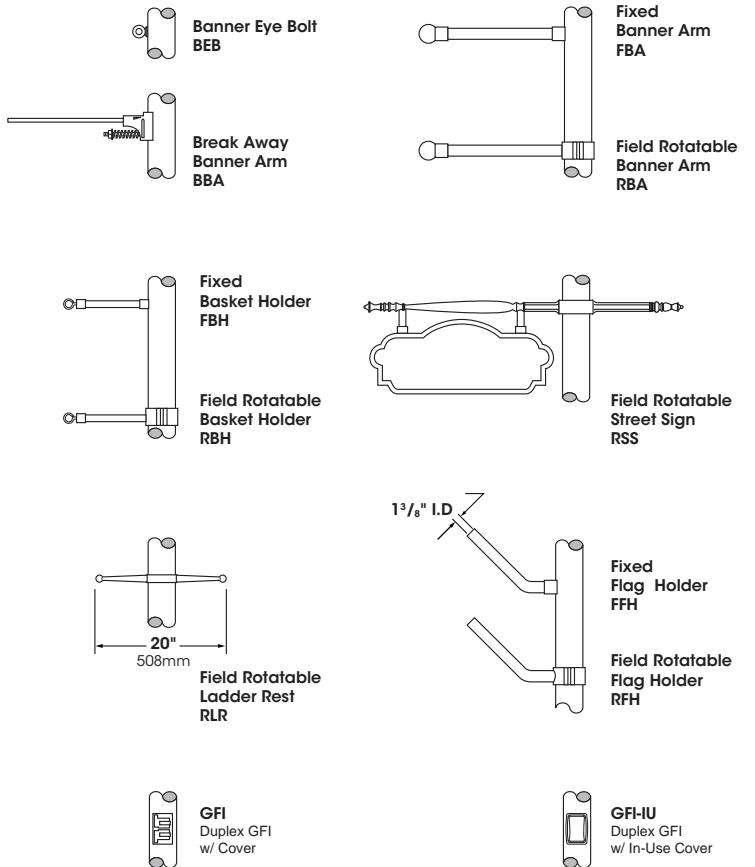
One piece corrosion resistant, durable cast aluminum construction. Minimum .225 wall thickness. Decorative Base consists of an octagonal section topped by a finely detailed fluted stepped section. Base contains a large Hand Hole and Cover contoured to Base design. Hand Hole Cover supplied with tamper resistant hardware. Grounding Lug provided inside Base opposite Hand Hole.

Anchorage

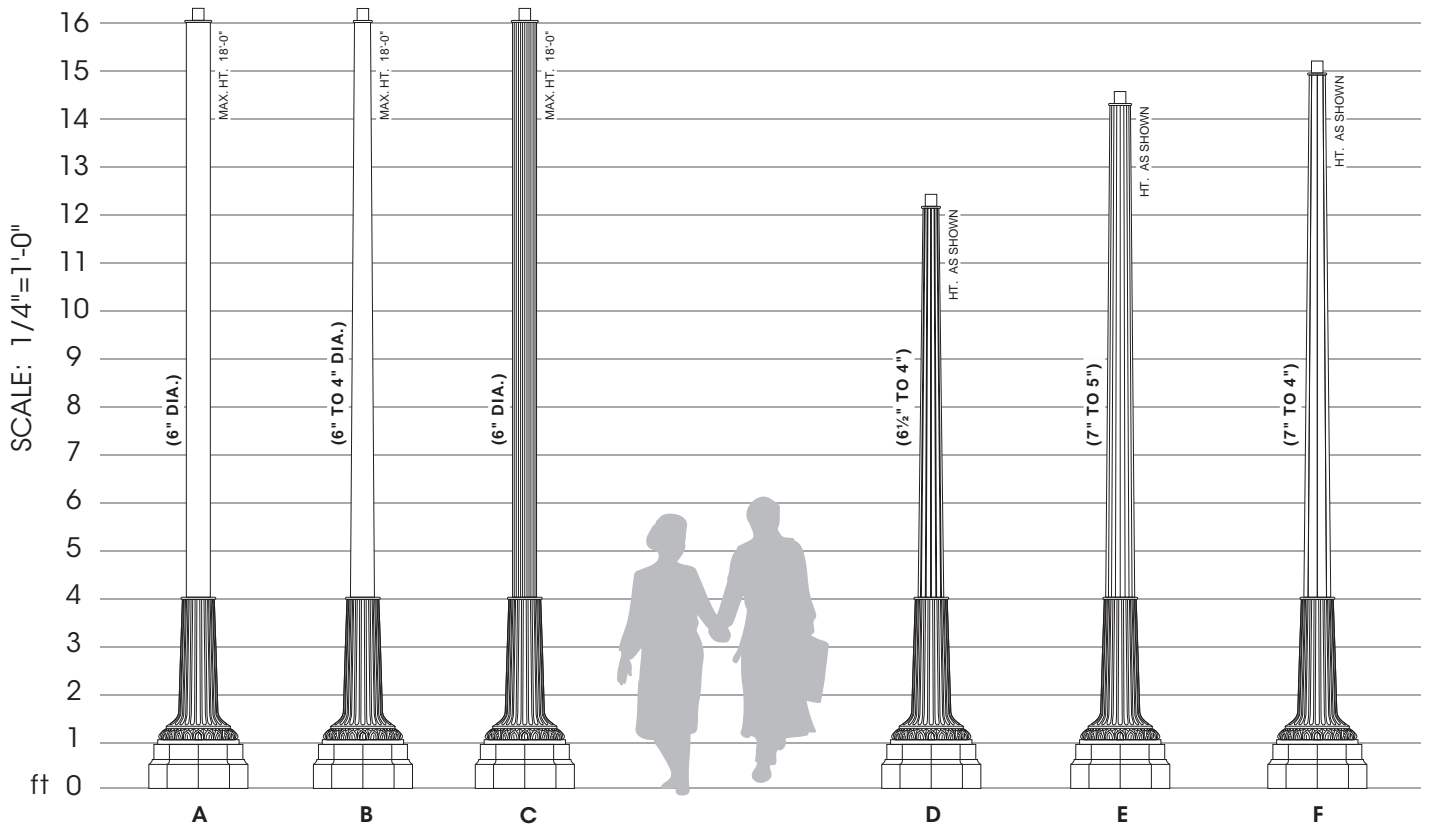
A 3/4" cast aluminum anchor ring is welded 1" above bottom of base to accept (4) fully galvanized anchor bolts. Each bolt supplied with two nuts and two washers. Anchorage is fastened through hand hole.

Finish

Electrostatically applied TGIC Polyester Powder Coat on substrate prepared with 20 PSI power wash at 140°F. Four step media blast and iron phosphate pretreatment for protection and paint adhesion. 400°F bake for maximum hardness and durability.

ANCHORAGE DATA

2900
OPTIONS

<https://www.usaltg.com/downloads/pdf/Pole-Arm-Accessories.pdf>

2024056

SAMPLE ASSEMBLIES


- A. 29-1090-XX-PT27/OPTIONS
- B. 29-1046T-XX-PT27/OPTIONS
- C. 29-1080-XX-PT27/OPTIONS
- D. 29-1050C-XX-PT27/OPTIONS
- E. 29-1075C-XX-PT27/OPTIONS
- F. 29-1080C-XX-PT27/OPTIONS

Note: XX represents height, example 10 foot and 6 inches will be written as 10'-6": 29-1040-10'-6"-PT27/OPTIONS.

Sample Assemblies show a small offering of the Sun Valley Line of Poles & Shafts.

Please visit usaltg.com for the full product offering.

TRADITIONAL STYLED BASE

3000 Series

Base

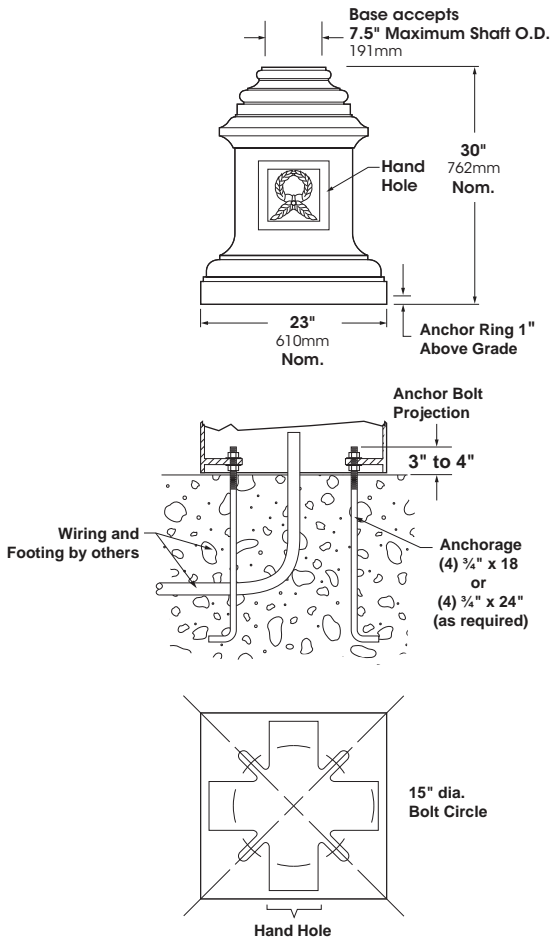
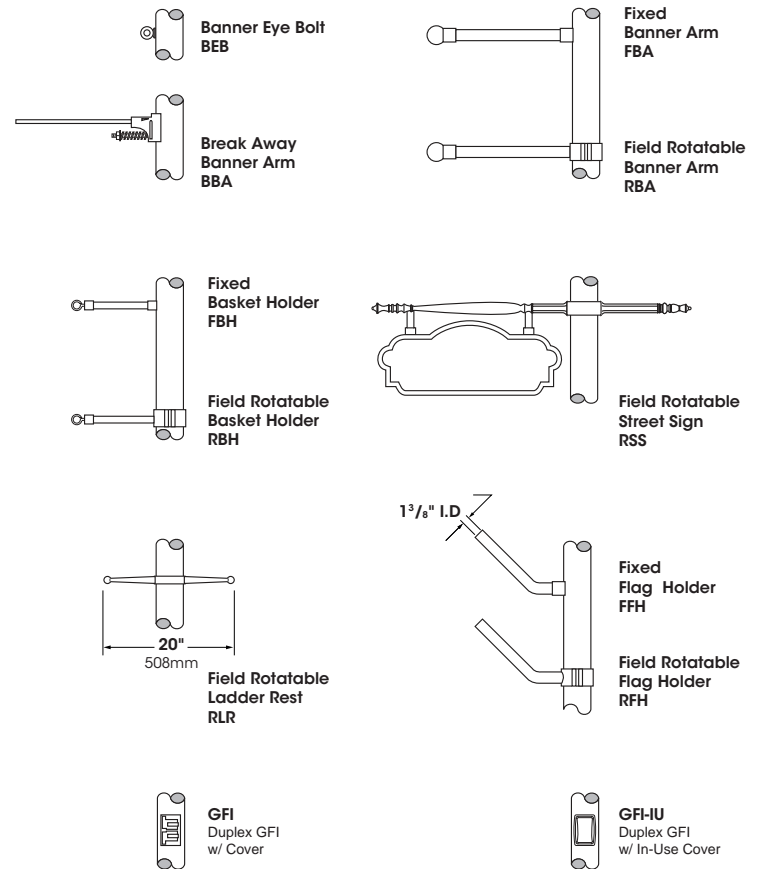
Decorative, one piece corrosion resistant, durable cast aluminum construction. Minimum .220 wall thickness. Stepped four-sided Base is provided with a large Hand Hole opening and Cover contoured to Base design. Hand Hole Cover supplied with tamper resistant hardware. Grounding Lug provided inside Base opposite Hand Hole.

Anchorage

A 3/4" cast aluminum anchor ring is welded 1" above bottom of base to accept (4) fully galvanized anchor bolts. Each bolt supplied with two nuts and two washers. Anchorage is fastened through hand hole.

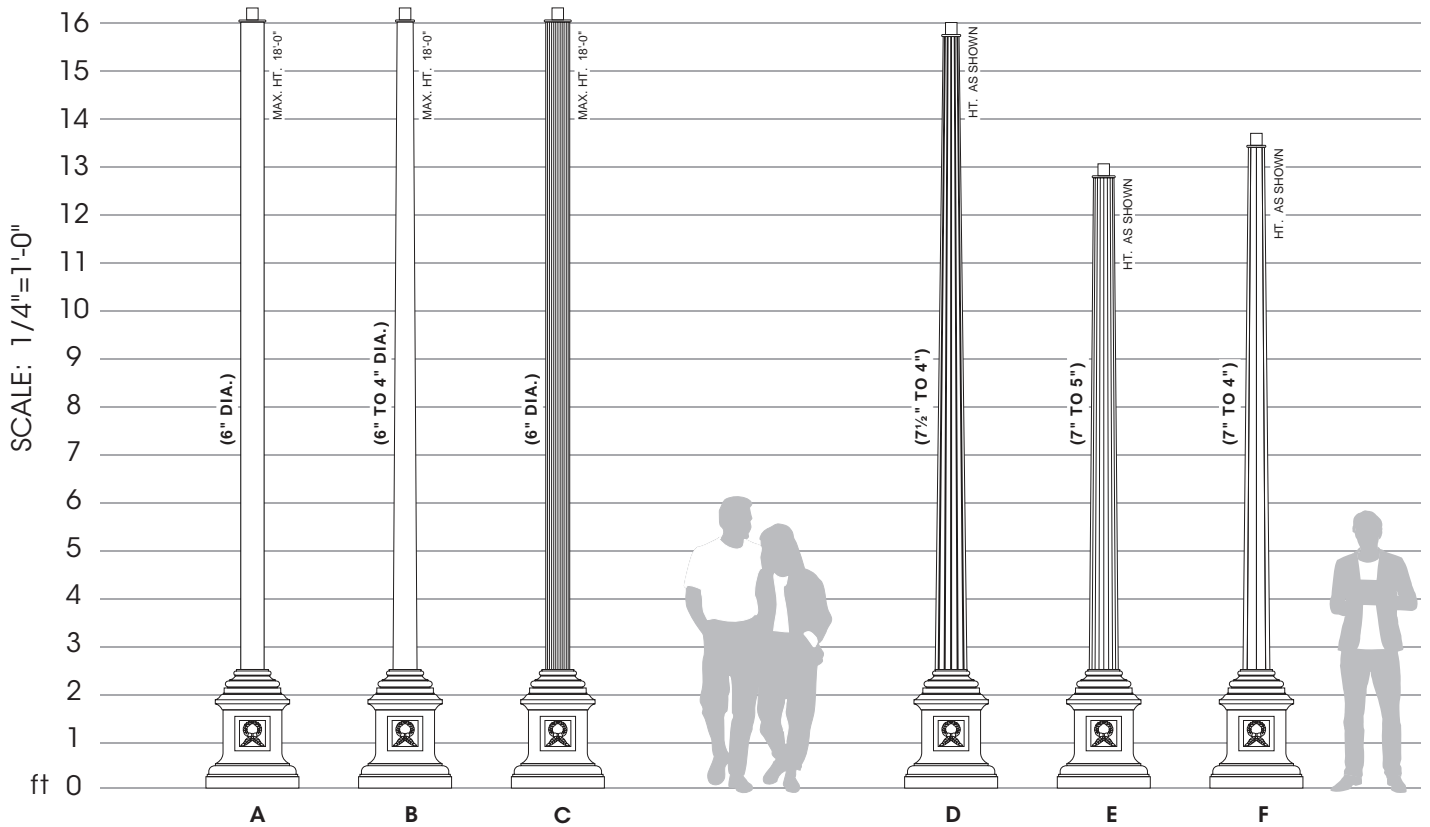
Finish

Electrostatically applied TGIC Polyester Powder Coat on substrate prepared with 20 PSI power wash at 140°F. Four step media blast and iron phosphate pretreatment for protection and paint adhesion. 400°F bake for maximum hardness and durability.


3000
ANCHORAGE DATA

OPTIONS

<https://www.usaltg.com/downloads/pdf/Pole-Arm-Accessories.pdf>

2024056

SAMPLE ASSEMBLIES



- A. 30-1090-XX-PT27/OPTIONS
- B. 30-1046T-XX-PT27/OPTIONS
- C. 30-1080-XX-PT27T/OPTIONS
- D. 30-1050C-XX-PT27/OPTIONS
- E. 30-1075C-XX-PT27/OPTIONS
- F. 30-1080C-XX-PT27/OPTIONS

Note: XX represents height, example 10 foot and 6 inches will be written as 10'-6": 30-1040-10'-6"-PT27/OPTIONS.

Sample Assemblies show a small offering of the Sun Valley Line of Poles & Shafts.

Please visit usaltg.com for the full product offering.