

## TRADITIONAL STYLED BASE

# 3200 Series

**Base**

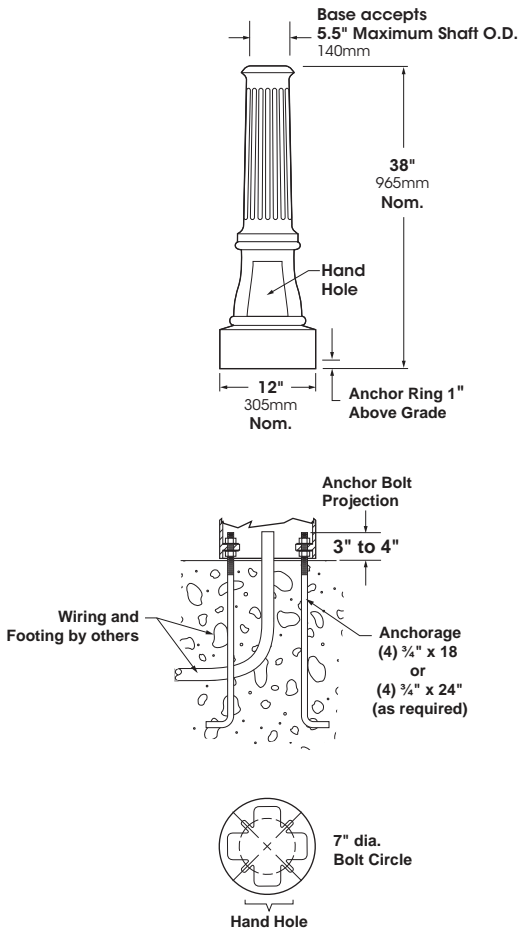
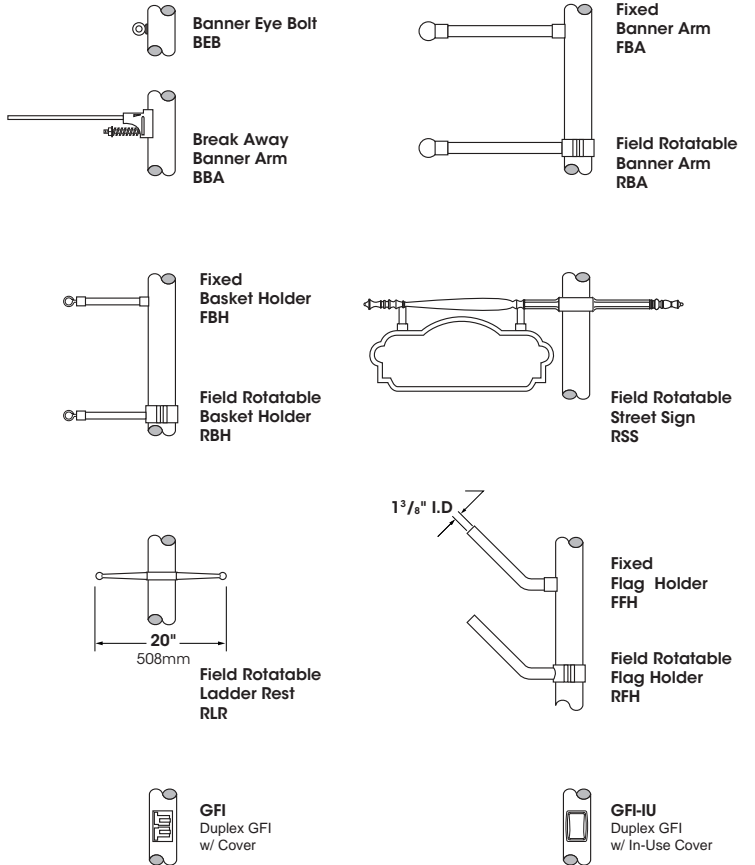
One piece corrosion resistant, durable cast aluminum construction. Minimum .220 wall thickness. Base consists of a smooth, stepped bottom section with flush Hand Hole and a decorative tapered fluted section consisting of evenly spaced, highly detailed raised vertical flutes. Hand Hole Cover supplied with tamper resistant hardware. Grounding Lug provided inside Base opposite Hand Hole.

**Anchorage**

A 3/4" cast aluminum anchor ring is welded 1" above bottom of base to accept (4) fully galvanized anchor bolts. Each bolt supplied with two nuts and two washers. Anchorage is fastened through hand hole.

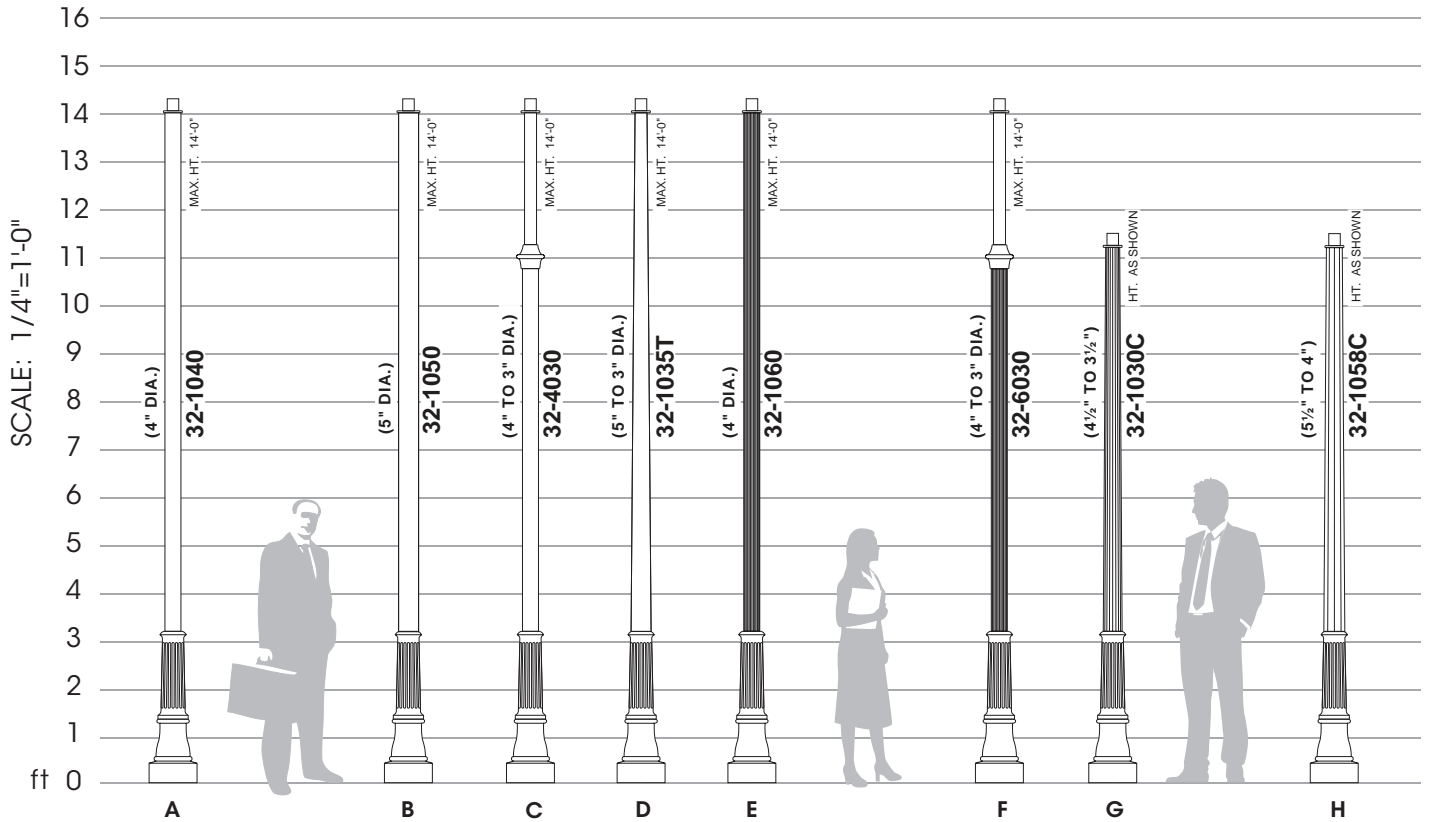
**Finish**

Electrostatically applied TGIC Polyester Powder Coat on substrate prepared with 20 PSI power wash at 140°F. Four step media blast and iron phosphate pretreatment for protection and paint adhesion. 400°F bake for maximum hardness and durability.


**3200**
**ANCHORAGE DATA**

**OPTIONS**

<https://www.usaltg.com/downloads/pdf/Pole-Arm-Accessories.pdf>

2024057

## SAMPLE ASSEMBLIES



### Finish Standard Textured (-T)

- Black  
RAL-9005-T
- White  
RAL-9003-T
- Grey  
RAL-7004-T
- Dark Bronze  
RAL-8019-T
- Green  
RAL-6005-T

### Premium Finishes

- Patina  
Copper  
PC
- Rust
- Custom  
Specify RAL# \_\_\_\_\_
- Anodized  
AZ

See USALTG.com for additional colors

- A. 32-1040-XX-PT27/OPTIONS/FINISH
- B. 32-1050-XX-PT27/OPTIONS/FINISH
- C. 32-4030-XX-PT27/OPTIONS/FINISH
- D. 32-1035T-XX-PT27/OPTIONS/FINISH
- E. 32-1060-XX-PT27/OPTIONS/FINISH
- F. 32-6030-XX-PT27/OPTIONS/FINISH
- G. 32-1030C-XX-PT27/OPTIONS/FINISH
- H. 32-1058C-XX-PT27/OPTIONS/FINISH

Note: XX represents height, example 10 foot and 6 inches will be written as 10'-6": 32-1040-10'-6"-PT27/OPTIONS/FINISH.

Sample Assemblies show a small offering of the Sun Valley Line of Poles & Shafts.

Please visit [usaltdg.com](http://usaltdg.com) for the full product offering.