

## TRADITIONAL STYLED BASE

# 5200 Series

**Base**

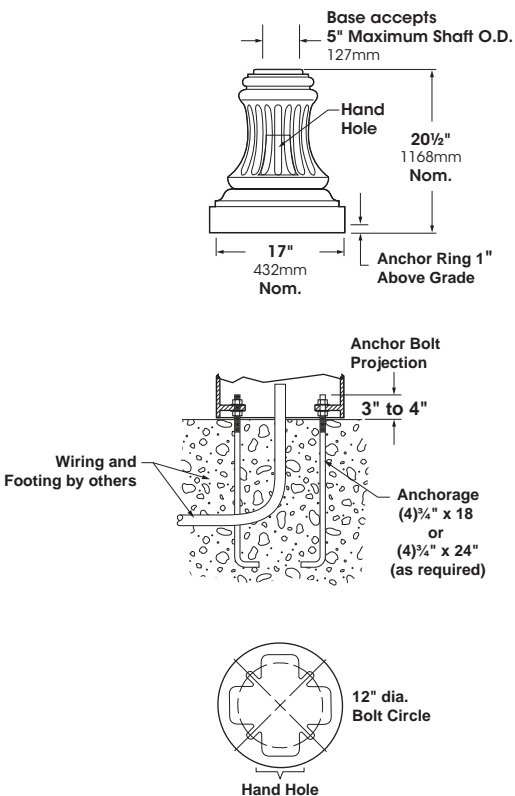
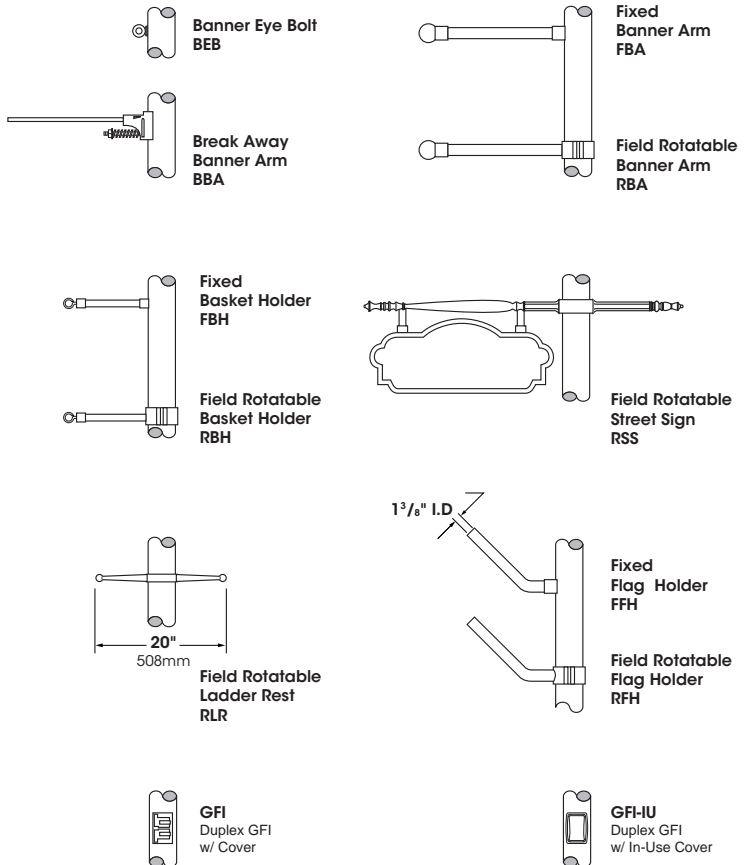
One piece corrosion resistant, durable cast aluminum construction. Minimum .225 wall thickness. Base consists of a smooth, tapered bottom section and a decorative tapered fluted section with evenly spaced raised vertical flutes. Base is furnished with a contoured, fluted flush Hand Hole and Cover. Hand Hole Cover supplied with tamper resistant hardware. Grounding Lug provided inside Base opposite Hand Hole.

**Anchorage**

A 3/4" cast aluminum anchor ring is welded 1" above bottom of base to accept (4) fully galvanized anchor bolts. Each bolt supplied with two nuts and two washers. Anchorage is fastened through hand hole.

**Finish**

Electrostatically applied TGIC Polyester Powder Coat on substrate prepared with 20 PSI power wash at 140°F. Four step media blast and iron phosphate pretreatment for protection and paint adhesion. 400°F bake for maximum hardness and durability.


**5200**
**ANCHORAGE DATA**

**OPTIONS**

<https://www.usaltg.com/downloads/pdf/Pole-Arm-Accessories.pdf>

2024057