

## BASE

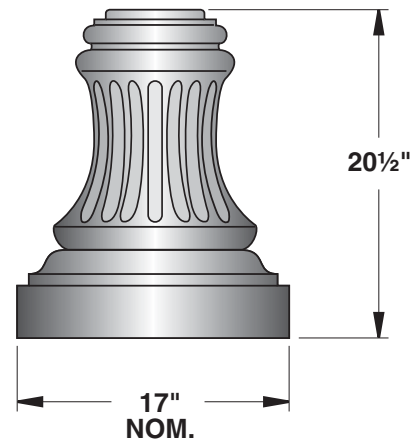
ONE PIECE CORROSION RESISTANT, DURABLE CAST ALUMINUM CONSTRUCTION. MINIMUM .225 WALL THICKNESS. BASE CONSISTS OF A SMOOTH, TAPERED BOTTOM SECTION AND A DECORATIVE TAPERED FLUTED SECTION WITH EVENLY SPACED RAISED VERTICAL FLUTES. BASE IS FURNISHED WITH A CONTOURED, FLUTED FLUSH HAND HOLE AND COVER. HAND HOLE COVER SUPPLIED WITH TAMPER RESISTANT HARDWARE. GROUNDING LUG PROVIDED INSIDE BASE OPPOSITE HAND HOLE.

## ANCHORAGE

A 3/4" CAST ALUMINUM ANCHOR RING IS WELDED 1" ABOVE BOTTOM OF BASE TO ACCEPT (4) FULLY GALVANIZED ANCHOR BOLTS. EACH BOLT SUPPLIED WITH TWO NUTS AND TWO WASHERS. ANCHORAGE IS FASTENED THROUGH HAND HOLE.

## FINISH

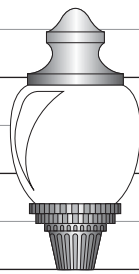
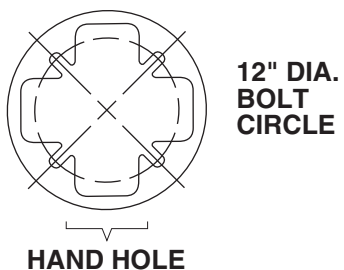
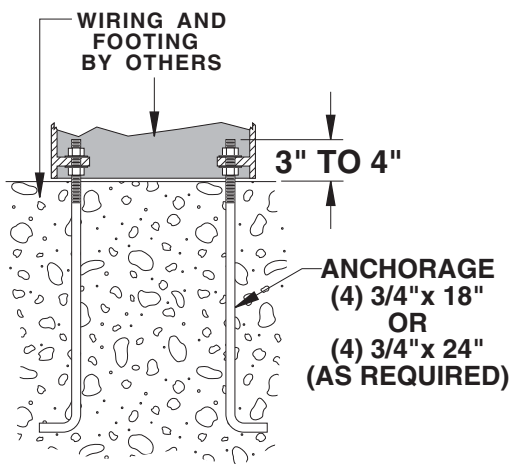
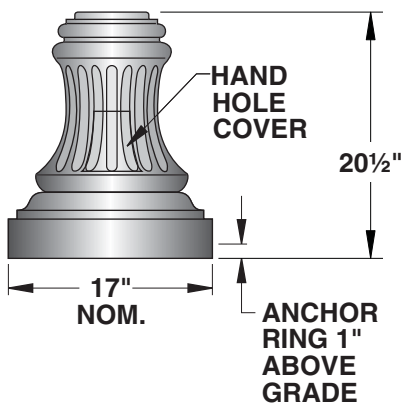
ELECTROSTATICALLY APPLIED BAKED ON TEXTURED ACRYLIC ENAMEL. (SEE PAGE 5 FOR OPTIONAL FINISH AND COLOR SELECTION)



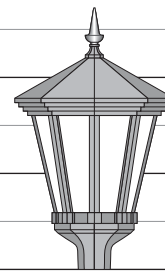
# 5200 BASE

## SUGGESTED LUMINAIRES

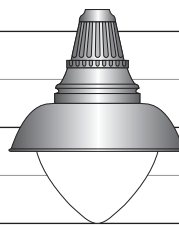
4  
3  
2  
1  
0  
4  
3  
2  
1  
0  
4  
3  
2  
1  
0  
FT.



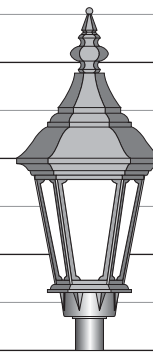
LAG1-YA



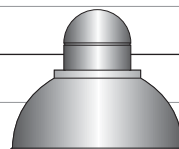
LCT-YL



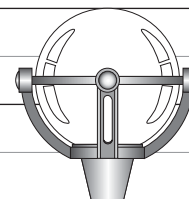
LCAD



LCF



DSD1



RCGN18

SEE LUMINAIRE SECTION FOR ADDITIONAL STYLES