

SOLID STATE AREA LIGHTING

CLXB SERIES-LED

SPECIFICATIONS

HOUSING and RISER

Durable corrosion resistant extruded aluminum Riser with a minimum wall thickness of .125". Top cap and vertical support flanges are cast aluminum (A356 alloy; <0.2% copper) construction and compress silicone gaskets top and bottom of the injection molded clear polycarbonate lens. Base Plate cover is spun aluminum.

VERTICAL SUPPORTS

Solid aluminum rod drilled and tapped to accept stainless hex head screws.

INTERNAL LOUVER (IL)

A specular louver stack conceals the inner lamp module and provides uplight and glare control through the external clear polycarbonate lens.

OPAL LENS (WP)

Opal polycarbonate lens protects the internal lamp or LED Power Array Module (with opal diffuse lenses) and provides uniform illumination.

ELECTRICAL MODULE

All electrical components are UL and cUL recognized are mounted on a single plate and factory prewired with quick-disconnect plugs. All HID lamps are medium base (E26) or Bi-pin Base (G12). Electronic MH ballasts have a power factor of >.95 (35/39W - 100W) -20°F starting, 120-277V and have lamp End-of-life protection. 347V option utilizes a step down transformer to the electronic ballast. Magnetic MH ballasts are high power factor (35/39W - 100W), -20°F starting, multi-tap 120-277V, 60Hz. All HPS ballasts are core and coil, high-reactance, high power factor (35/39W - 100W), -40°F starting. Electronic CFL ballasts are high power factor 120 - 277 voltage sensing. GX24-q4 socket supplied for all 18w - 42w triple tube lamps.

LED Driver - UL and cUL recognized High Power Factor, Constant Current LED drivers operate on input voltages from 120-277VAC, 50/60hz and is mechanically fastened to a retaining bracket. 347V option may utilize a step down transformer to the LED driver. Driver. Main power quick disconnect provided. Driver has a minimum 4KV of internal surge protection. Consult factory for other voltages. Dimming and High-Low Driver options available. 10KV & 20KV Surge Protector optional.

LED Power Array - Three-dimensional array consisting of 6 individual LED tubes fastened to a retaining plate equally spaced to provide 360° of even illumination output. Each LED tube consists of a circuit board populated with a multiple of LED's which is fastened to a radial aluminum heat sink. A white polycarbonate lens and end caps protect each LED tube's internal components and provides diffusion to prevent shadowing and striations.

FINISH

Electrostatically applied TGIC Polyester Powder Coat on substrate prepared with 20 PSI power wash at 140°F. Four step media blast and iron phosphate pretreatment for protection and paint adhesion. 400°F bake for maximum hardness and durability.

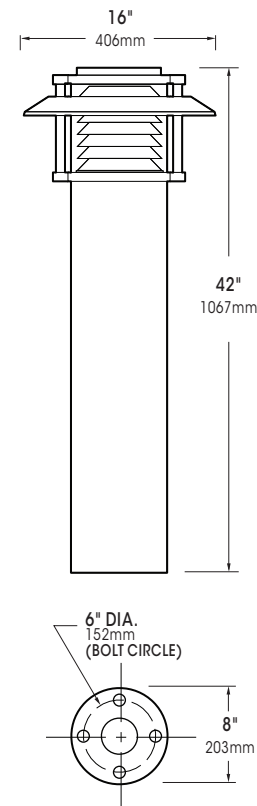
PROJECT NAME: _____

PROJECT TYPE: _____



CLXB

PATENT PENDING



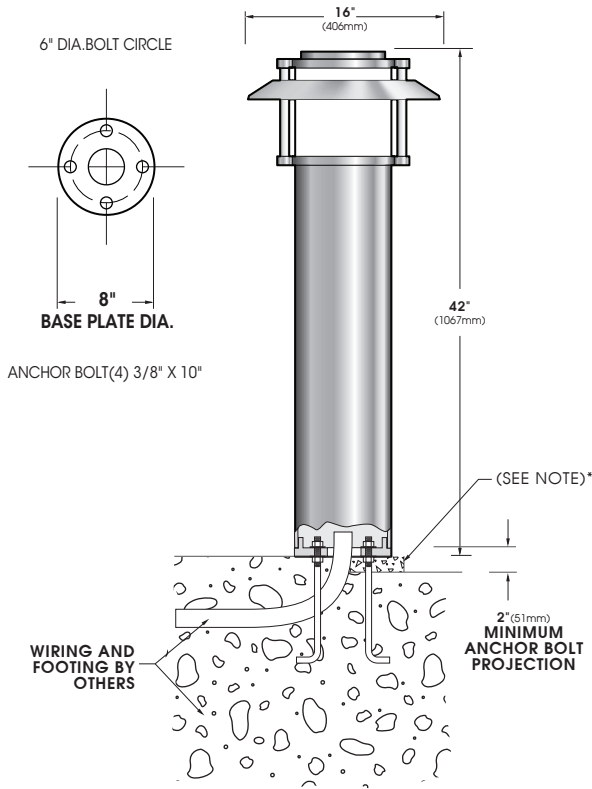
2017088



CLXB SERIES-LED

S P E C I F I C A T I O N S

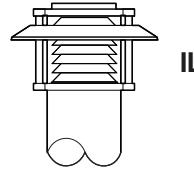
INSTALLATION



*When mounting in soil, anchor bolt fasteners and other hardware must be protected from soil by grouting.

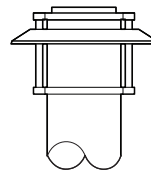
OPTICS

INTERNAL LOUVER



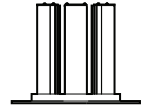
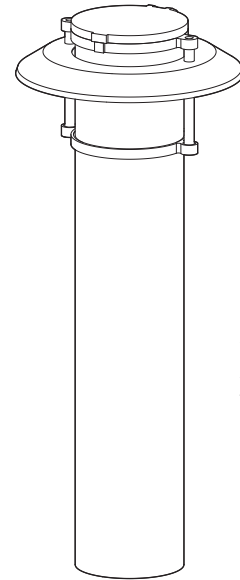
IL

OPAL ACRYLIC



WA

LAMP WATTAGE



VPA - Vertical Array
Available in:
48 LED Max.

CLXB-LED
Available in:
36 LED & 24 LED

Spe/Order Example: CLXB-IL/50THPS208/RAL-9003-S/GFI

S P E C / O R D E R I N G I N F O R M A T I O N

MODEL	OPTICS	# OF LEDS	COLOR TEMP - CCT	VOLTAGE	FINISH	OPTIONS
MODEL	OPTICS	LAMP		FINISH	OPTIONS	
		WATTAGE	COLOR TEMP - CCT	VOLTAGE	STANDARD TEXTURED FINISH	
<input type="checkbox"/> CLXB-LED	<input type="checkbox"/> INTERNAL LOUVER . . . IL <input type="checkbox"/> OPAL ACRYLIC WA	<input type="checkbox"/> 36LED ¹ <input type="checkbox"/> 24LED	<input type="checkbox"/> NW (4000K)* *STANDARD <input type="checkbox"/> CW (5000K) <input type="checkbox"/> WW (3000K) OTHER LED COLORS AVAILABLE CONSULT FACTORY	<input type="checkbox"/> 120 <input type="checkbox"/> 208 <input type="checkbox"/> 240 <input type="checkbox"/> 277 <input type="checkbox"/> 347 <input type="checkbox"/> 480	<input type="checkbox"/> BLACK RAL-9005-T <input type="checkbox"/> WHITE RAL-9003-T <input type="checkbox"/> GREY RAL-7004-T <input type="checkbox"/> DARK BRONZE RAL-8019-T <input type="checkbox"/> GREEN RAL-6005-T	INTERNAL HOUSE SIDE SHIELD <input type="checkbox"/> 90° HS90 <input type="checkbox"/> 135° HS135 <input type="checkbox"/> 180° HS180 <input type="checkbox"/> DIMMABLE DRIVER(S) (0-10V) DIM <input type="checkbox"/> HIGH-LOW DIMMING FOR HARDWIRED SWITCHING OR NON-INTEGRATED MOTION SENSOR HLSW <input type="checkbox"/> 10KV SURGE PROTECTOR. 10SP <input type="checkbox"/> 20KV SURGE PROTECTOR (277V & 480V Only) 20SP <input type="checkbox"/> DUPLEX RECEPTACLE . . . DUP <input type="checkbox"/> GROUND FAULT RECEPTACLE GFI OPTIONAL HEIGHTS: <input type="checkbox"/> 30" OVERALL HEIGHT . . . 30-OAH <input type="checkbox"/> 36" OVERALL HEIGHT . . . 36-OAH
		NOTES: 1- 8" BOLLARDS ONLY			FOR SMOOTH FINISH REPLACE SUFFIX "T" WITH SUFFIX "S" (EXAMPLE: RAL-9500-S) SEE USALTG.COM FOR ADDITIONAL COLORS	

