

EXPEDITED AVAILABILITY

QSRW1-PLED

SPECIFICATIONS

OPTICAL HOUSING

Heavy cast low copper aluminum (A356 alloy; <0.2% copper) assembly with integral cooling fins. The Optical Panel mounting surface is milled flat (surface variance $<\pm .003"$) to facilitate thermal transfer of heat to housing and cooling fins. The Optical Housing bolts to the Electrical Housing forming a unified assembly. The minimum wall thickness is .188".

ELECTRICAL HOUSING

Heavy cast low copper aluminum (A356 alloy; <0.2% copper) assembly. Minimum wall thickness is .188". Fixture Mounting Plate affixes to mounting surface over a recessed j-box. Electrical Housing anchors on the top edge of the Mounting Plate and stainless steel recessed socket head screws tighten the Electrical Housing to the Mounting Plate from the bottom.

PLED™ OPTICAL MODULES

Emitters (LED's) are arrayed on a metal core PCB panel with each emitter located on a copper thermal transfer pad and enclosed by an LED refractor. LED optics completely seal each individual emitter to meet an IP66 rating. A micro-reflector inside the refractor re-directs the house side emitter output towards the street side and functions as a house side shielding element. Refractors are injection molded H12 acrylic. Each LED refractor is sealed to the PCB over an emitter and all refractors are retained by an aluminum frame. All LED's in the PLED panel have the same optical pattern. LED refractors produce Type III and Type IV-FT site/area distributions. Panels are field replaceable and field rotatable in 90° increments. LED's are 3000K or 4000K CCT.

LED DRIVER(S)

Constant current electronic with a power factor of $>.90$ and a minimum operating temperature of $-30^{\circ}\text{C}/-22^{\circ}\text{F}$. Driver(s) is/are UL and cUL recognized and mounted to a driver assembly plate that has slotted holes to facilitate ease of assembly removal for fixture installation. Quick disconnects for incoming power and optical assembly power are provided. Driver accept an input of 120-277V, 50/60Hz and utilize 0-10V dimming. (0 - 10V dimmable driver is standard. Driver has a minimum of 3KV internal surge protection. Luminaire supplied with 20KV surge protector for field accessible installation.)

FINISH

Electrostatically applied TGIC Polyester Powder Coat on substrate prepared with 20 PSI power wash at 140°F. Four step media blast and iron phosphate pretreatment for protection and paint adhesion. 400°F bake for maximum hardness and durability.

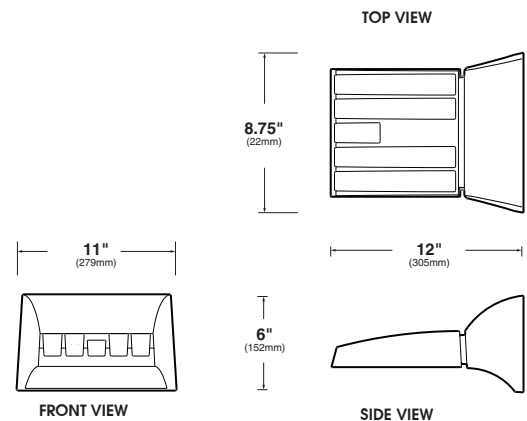
PROJECT NAME: _____

PROJECT TYPE: _____



QSRW1-LED

PATENT PENDING

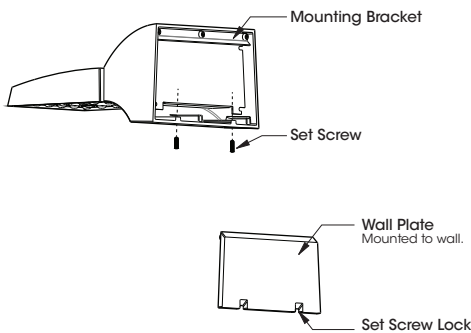


2020174

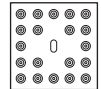
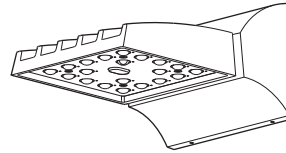


S P E C I F I C A T I O N S

WALL MOUNTING



PLED® MODULE



20 LED Module

QSR-WM1-LED E.P.A.= .33
Available in:
20LED Module

S P E C / O R D E R I N G I N F O R M A T I O N

CATALOG #	LED COUNT	VOLTAGE	WATTS	LUMENS	B-U-G RATING	OPTIONS
<input type="checkbox"/> QSRW1/2050/PLED-III/(X)/(CX)/RAL-8019/DBZ	20	* = Specify Voltage <input type="checkbox"/> 120 <input type="checkbox"/> 208 <input type="checkbox"/> 240 <input type="checkbox"/> 277	33	3534	B1-U0-G1	<input type="checkbox"/> HOUSE SIDE SHIELD . . . HS-PLED SURGE PROTECTOR. . . . SP (Now included with luminaire for field installation)
<input type="checkbox"/> QSRW1/2050/PLED-IVFT/(X)/(CX)/RAL-8019/DBZ	20		33	3250	B1-U0-G1	
<input type="checkbox"/> QSRW1/2070/PLED-III/(X)/(CX)/RAL-8019/DBZ	20		44	4424	B1-U0-G1	
<input type="checkbox"/> QSRW1/2070/PLED-IVFT/(X)/(CX)/RAL-8019/DBZ	20		44	4163	B1-U0-G2	
<input type="checkbox"/> QSRW1/2010/PLED-III/(X)/(CX)/RAL-8019/DBZ	20		67	5814	B1-U0-G1	
<input type="checkbox"/> QSRW1/2010/PLED-IVFT/(X)/(CX)/RAL-8019/DBZ	20		67	5313	B1-U0-G2	
NOTE: (X) = indicate voltage (CX) = WW (3000K) or NW (4000K)						

