

# ROUND STRAIGHT ALUMINUM POLE

## RNTA 6<sup>5</sup>/<sub>8</sub>"

PROJECT NAME: \_\_\_\_\_

PROJECT TYPE: \_\_\_\_\_

### FEATURES

#### Shaft

6<sup>5</sup>/<sub>8</sub>" diameter, extruded from 6063 alloy aluminum tubing. Heat treated to produce a T6 temper. Shaft includes a hand hole furnished with cover. Shaft is furnished with ground lugs located on cast aluminum base plate.

#### Base Plate

Cast aluminum constructed of A-356 aluminum alloy heat treated to produce a T6 temper. Structurally engineered base includes eight heavy wall reinforcing vertical gussets. Base telescopes and is circumferentially welded to shaft at both the outside top and inside bottom of the base.

#### Anchorage

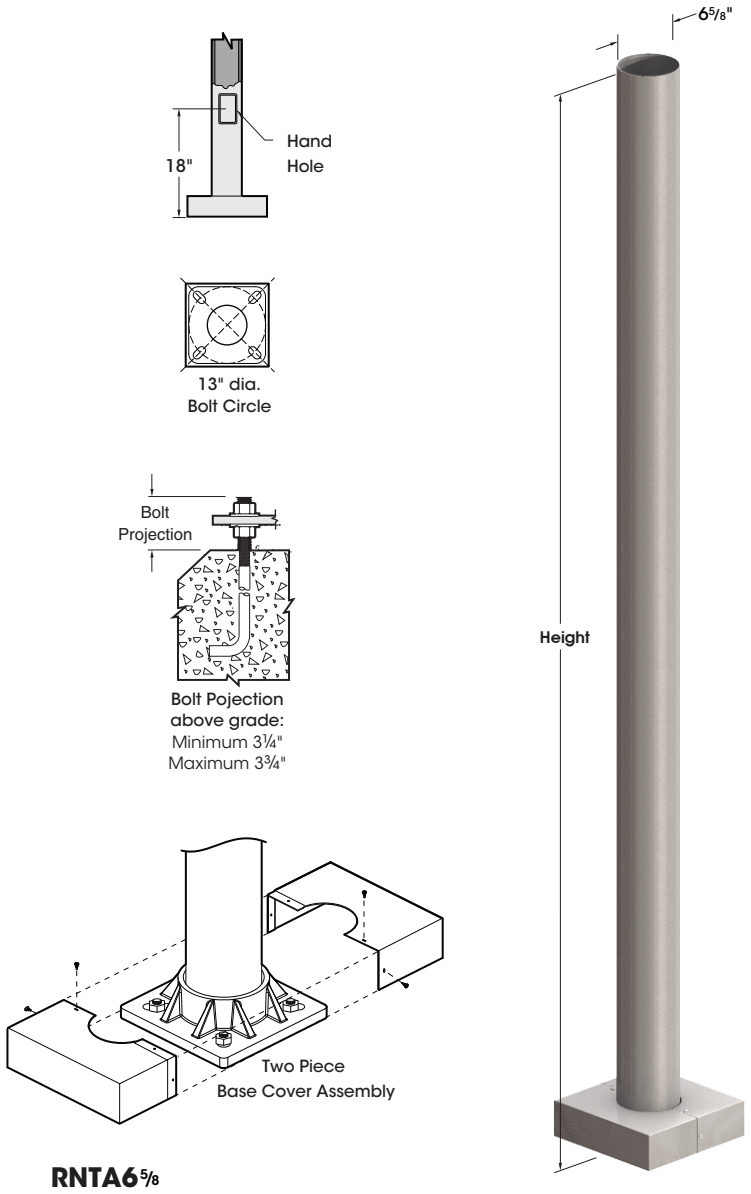
(4) anchor bolts fabricated from hot rolled steel bar. Minimum yield strength of 50,000 P.S.I. bolts have "L" bend on one end and are threaded on the other. Bolts are fully galvanized and are furnished with two nuts and two washers.

#### Base Cover

Fabricated from heavy wall aluminum construction. Two piece cover conceals base.

#### Finish

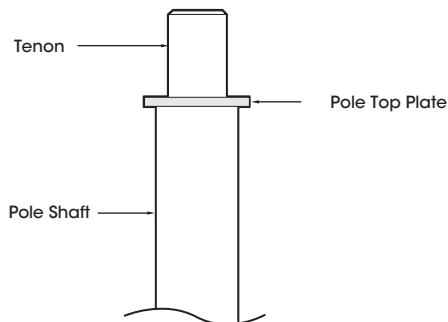
Electrostatically applied TGIC Polyester Powder Coat on substrate prepared with 20 PSI power wash at 140°F. Four step media blast and iron phosphate pretreatment for protection and paint adhesion. 400°F bake for maximum hardness and durability.



RNTA6<sup>5</sup>/<sub>8</sub>

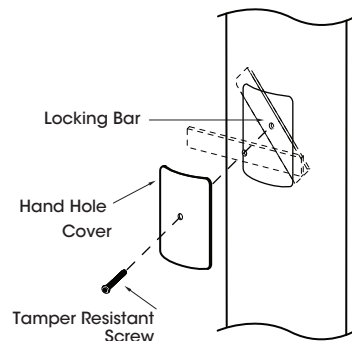
### Pole Top Mount

PT23 - 2<sup>3</sup>/<sub>8</sub>"X4" Tenon     PT27 - 2<sup>7</sup>/<sub>8</sub>"X4" Tenon



### Hand Hole Cover

Hand hole cover with tamper resistant bolt assembly



# ○ RNTA 6<sup>5</sup>/<sub>8</sub>"

## SPECIFICATIONS

### Engineering Data

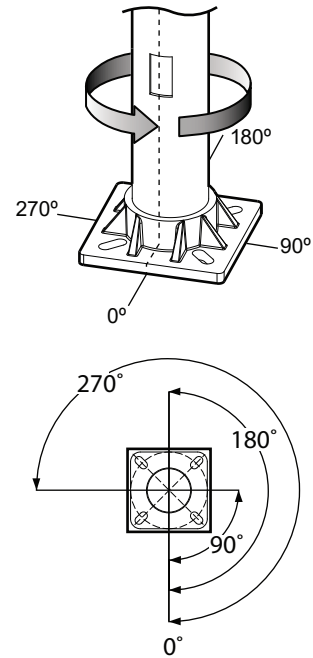
Maximum EPA - Square Feet

Model Number	Max. Fixture Weight	100 MPH	90 MPH	80 MPH	70 MPH
RNTA 2066 - 250	300	6.9	9.0	11.4	14.1
RNTA 2566 - 250	300	4.0	5.1	6.6	8.4
RNTA 3066 - 250	300	1.9	2.4	3.1	4.0

All above design calculations are based on sustained wind forces plus additional 1.3 wind gust  
(Example: Pole rated at 80 MPH withstands 104 MPH gusts)

### Drilled Side Mount

Specify drilling location using codes below.



## ORDERING INFORMATION

Spec/Order Example: RNTA3066-250/4-90/RAL-6005-T

Pole Model Number - RNTA 6 <sup>5</sup> / <sub>8</sub> "					Mounting	Finish	Options		
Pole Model Number - RNTA 6 <sup>5</sup> / <sub>8</sub> "					Mounting	Finish	Options		
	Pole Height	Wall Thickness	Bolt Circle	Anchorage					
<input type="checkbox"/> RNTA 2066 - 250	20'	.250	13"	1"X36"X4"	<input type="checkbox"/> <b>PT23</b> 2 <sup>3</sup> / <sub>8</sub> " X 4" Tenon  <input type="checkbox"/> <b>PT27</b> 2 <sup>7</sup> / <sub>8</sub> " X 4" Tenon  <input type="checkbox"/> Other Tenon Mt _____	<input type="checkbox"/> Black <b>RAL-9005-T</b>  <input type="checkbox"/> White <b>RAL-9003-T</b>  <input type="checkbox"/> Grey <b>RAL-7004-T</b>  <input type="checkbox"/> Dark Bronze <b>RAL-8019-T</b>  <input type="checkbox"/> Green <b>RAL-6005-T</b>	<b>Receptacle</b>  <input type="checkbox"/> Duplex Receptacle <b>DUP</b>  <input type="checkbox"/> GFI Receptacle <b>GFI</b>  <input type="checkbox"/> 3 Way Adapter <b>T3120</b>  <input type="checkbox"/> 4 Way Adapter <b>T490</b>  <input type="checkbox"/> Round Base Cover <b>RBC</b>		
<input type="checkbox"/> RNTA 2566 - 250	25'	.250	13"	1"X36"X4"				<b>Drill Mount</b>  <input type="checkbox"/> 1 ..... ●  <input type="checkbox"/> 2-180 ..... ●●  <input type="checkbox"/> 2-90 ..... ●●  <input type="checkbox"/> 3-90 ..... ●●●  <input type="checkbox"/> 4-90 ..... ●●●●  <input type="checkbox"/> 3-120 ..... ●●●●  3-120 requires PT27 and T3120 Adapter  2-90, 3-90, 4-90 requires PT27 and T490 Adapter	<b>Coupling</b>  <input type="checkbox"/> 1/2" Coupling <b>CPLN1/2</b>  <input type="checkbox"/> 3/4" Coupling <b>CPLN3/4</b>  <input type="checkbox"/> 2" Coupling <b>CPLN2</b>  Specify Coupling location  Refer to the Accessories Section for other options
<input type="checkbox"/> RNTA 3066 - 250	30'	.250	13"	1"X36"X4"					
<input type="checkbox"/> Specify other heights _____									