

# TENON MOUNTED ARM

## XBX

PROJECT NAME: \_\_\_\_\_

PROJECT TYPE: \_\_\_\_\_

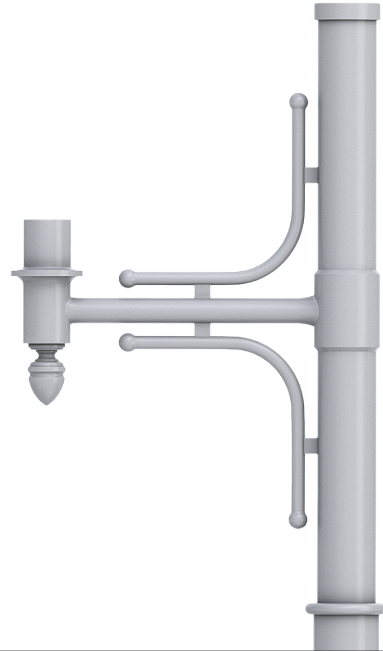
### FEATURES

#### Arm

Durable corrosion resistant, cast aluminum construction. All hardware is stainless steel.

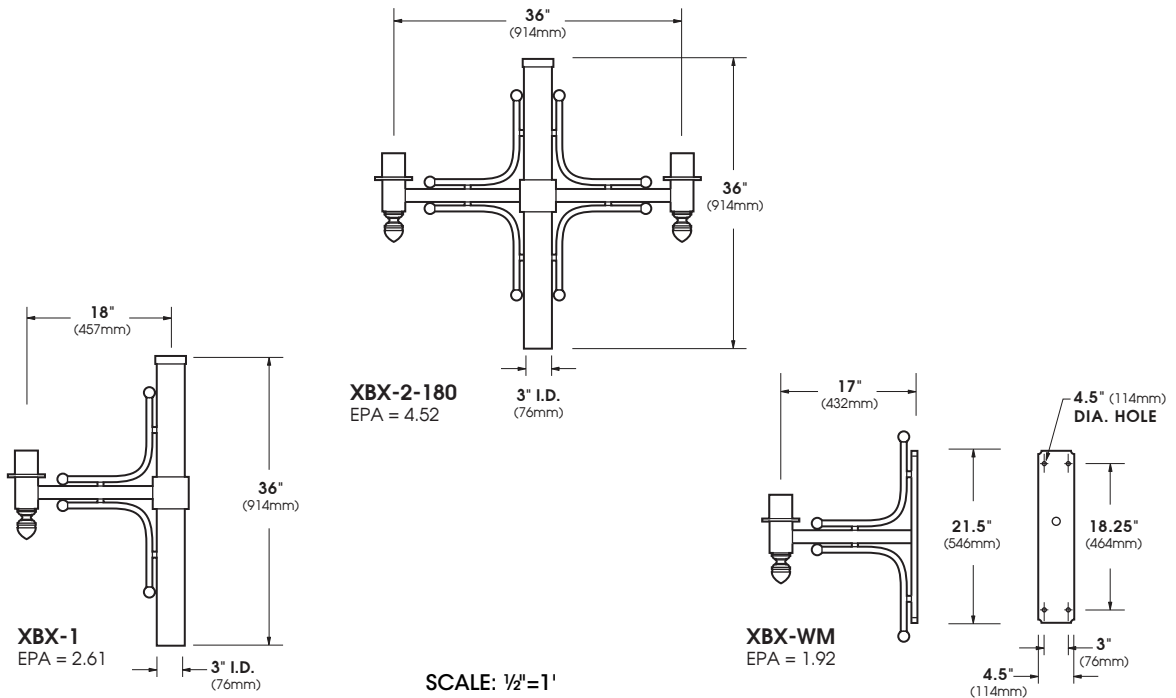
#### Finish

Electrostatically applied TGIC Polyester Powder Coat on substrate prepared with 20 PSI power wash at 140°F. Four step media blast and iron phosphate pretreatment for protection and paint adhesion. 400°F bake for maximum hardness and durability.



### XBX

Patent pending



### ORDERING INFORMATION

Spec/Order Example: XBX-3-180/RAL-8019-S

Configuration	<input type="checkbox"/> XBX-WM	<input type="checkbox"/> XBX-1	<input type="checkbox"/> XBX-2-180	<input type="checkbox"/> XBX-3-180	<input type="checkbox"/> XBX-3-120	<input type="checkbox"/> XBX-4-120	<input type="checkbox"/> XBX-4-90	<input type="checkbox"/> XBX-5-90
Finish*	<input type="checkbox"/> Black RAL-9005-T	<input type="checkbox"/> White RAL-9003-T	<input type="checkbox"/> Grey RAL-7004-T	<input type="checkbox"/> Dark Bronze RAL-8019-T	<input type="checkbox"/> Green RAL-6005-T	*Standard texture finish For smooth finish replace suffix "T" with suffix "S" (Example: RAL-9005-S) Consult factory for custom colors		