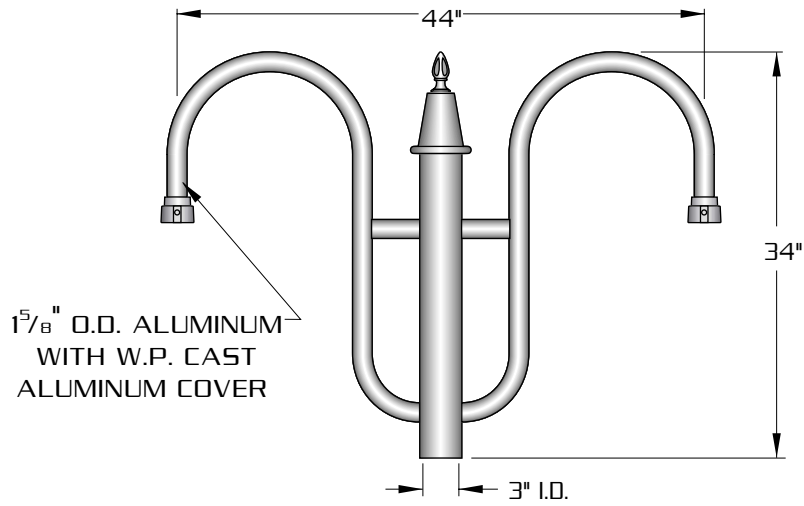
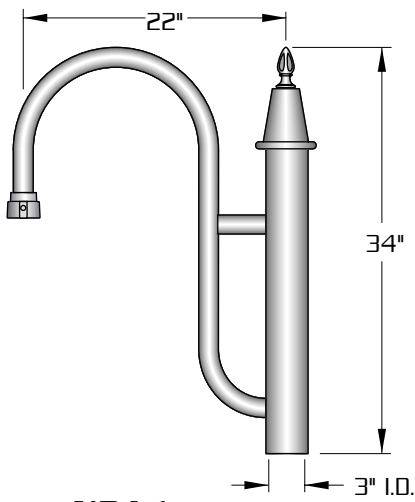


XPJ

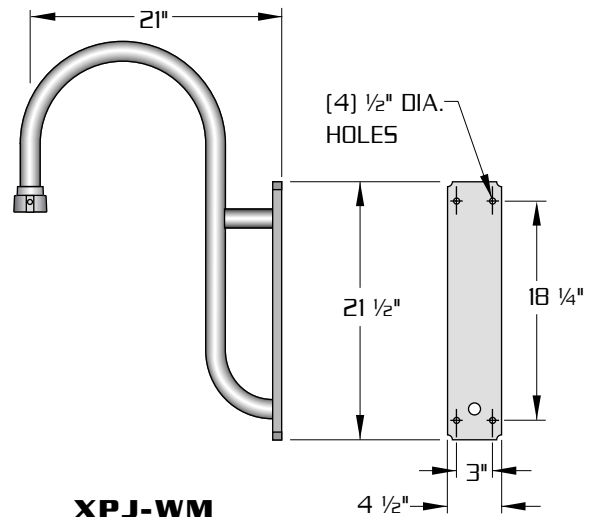
SCALE: 3/4"=1'-0"



XPJ-2-180
E.P.A.= 1.54



XPJ-1
E.P.A.= 1.05



XPJ-WM



DURABLE CORROSION RESISTANT, CAST AND EXTRUDED ALUMINUM CONSTRUCTION.