

TRADITIONAL STYLED BASE

100 Series

Base

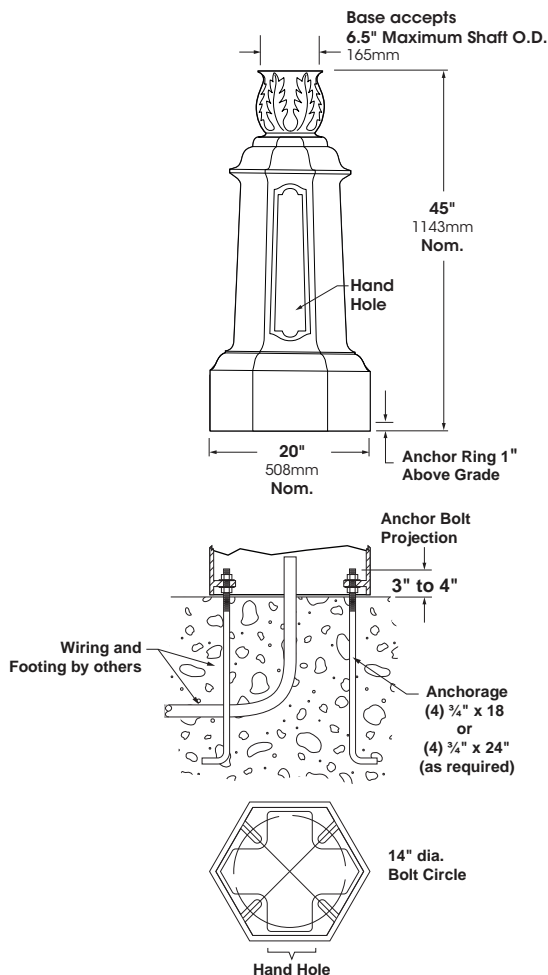
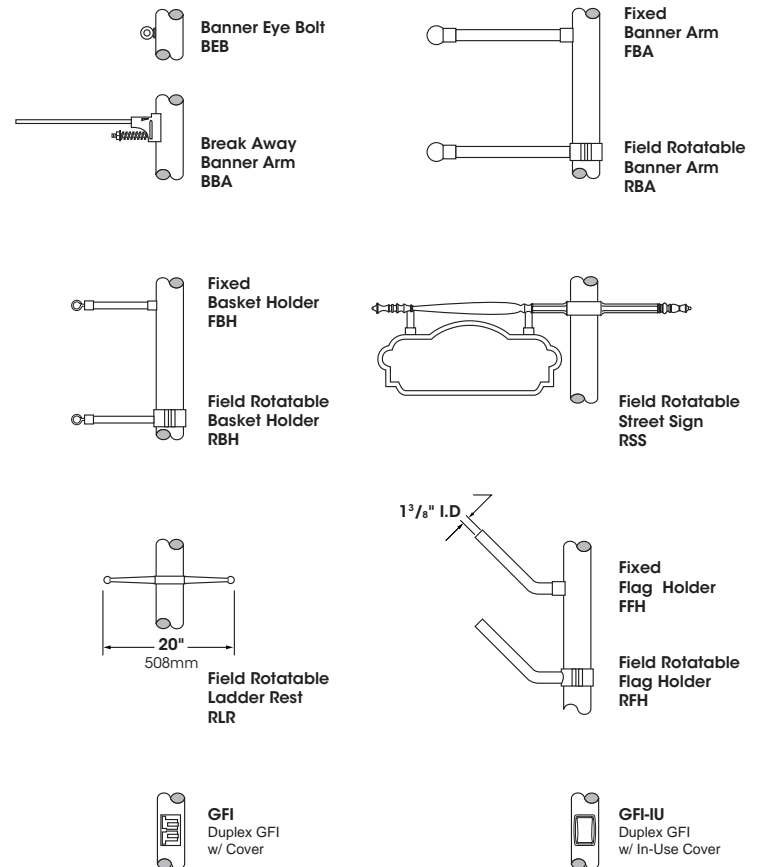
Tapered one piece construction, topped by a decorative Rosette. Base is constructed of durable, corrosion resistant, cast aluminum a356 alloy. Minimum .285 wall thickness. Base is furnished with large Hand Hole contoured to Base design, Hand Hole cover supplied with tamper resistant hardware. Grounding Lug provided inside Base opposite Hand Hole.

Anchorage

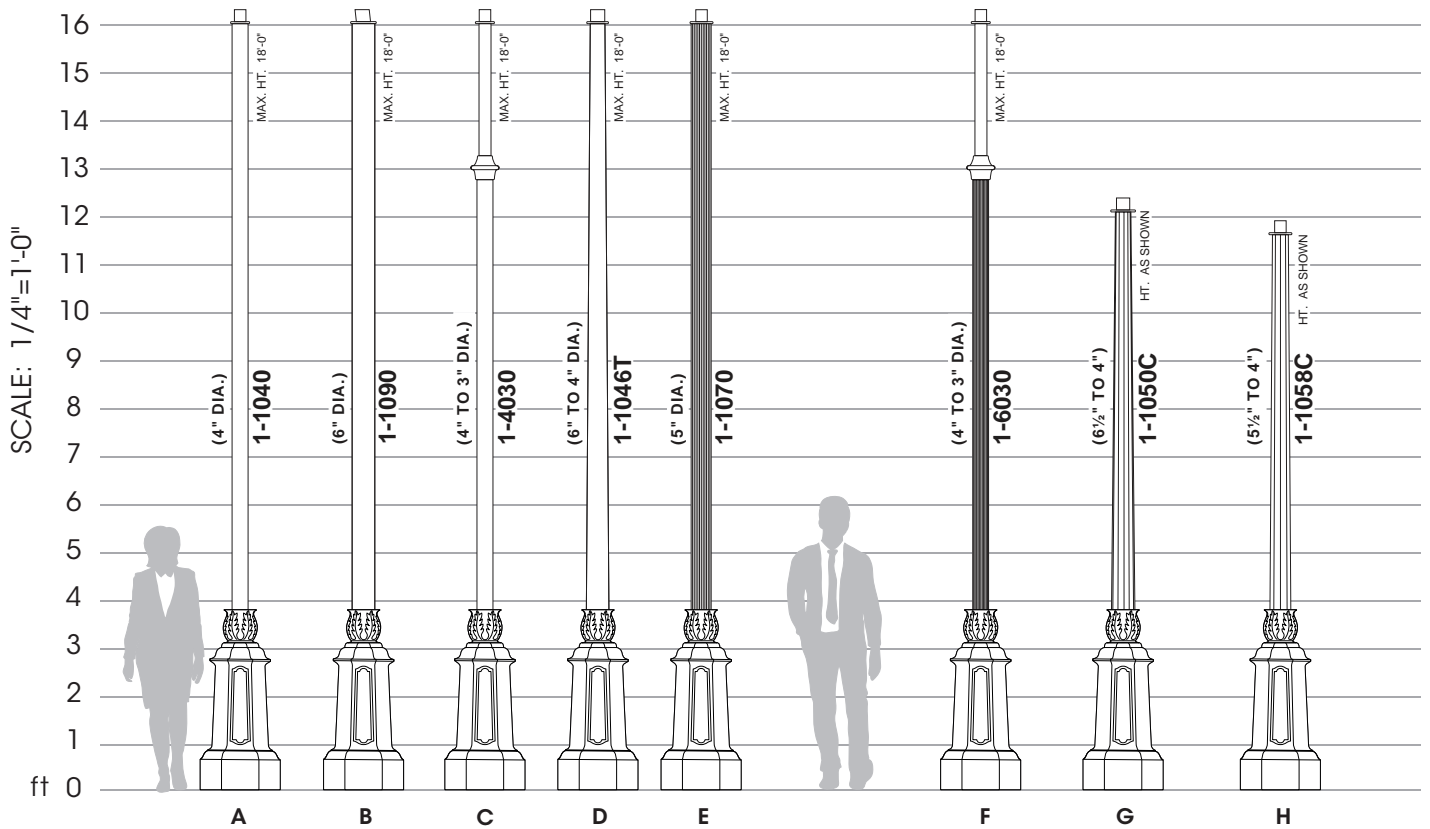
A 3/4" cast aluminum Anchor Ring is welded 1" above bottom of Base to accept (4) fully galvanized Anchor Bolts. Each Bolt supplied with two nNuts and two Washers. Anchorage is fastened through Hand Hole.

Finish

Electrostatically applied TGIC Polyester Powder Coat on substrate prepared with 20 PSI power wash at 140°F. Four step media blast and iron phosphate pretreatment for protection and paint adhesion. 400°F bake for maximum hardness and durability.


100
ANCHORAGE DATA

OPTIONS

<https://www.usaltg.com/downloads/pdf/Pole-Arm-Accessories.pdf>

2025014

SAMPLE ASSEMBLIES

Finish
 Standard Textured (-T)

- Black
RAL-9005-T
- White
RAL-9003-T
- Grey
RAL-7004-T
- Dark Bronze
RAL-8019-T
- Green
RAL-6005-T

Premium Finishes

- Patina Copper
PC
- Rust
- Custom
Specify RAL# _____
- Anodized
AZ

See USALTG.com for additional colors

- A. 1-1040-XX-PT27/OPTIONS/FINISH
- B. 1-1090-XX-PT27/OPTIONS/FINISH
- C. 1-4030-XX-PT27/OPTIONS/FINISH
- D. 1-1046T-XX-PT27/OPTIONS/FINISH
- E. 1-1070-XX-PT27/OPTIONS/FINISH
- F. 1-6030-XX-PT27/OPTIONS/FINISH
- G. 1-1050C-XX-PT27/OPTIONS/FINISH
- H. 1-1058C-XX-PT27/OPTIONS/FINISH

Note: XX represents height, example 10 foot and 6 inches will be written as 10'-6": 10-1040-10'-6"-PT27/OPTIONS.

Sample Assemblies show a small offering of the Sun Valley Line of Poles & Shafts.

Please visit usaltdg.com for the full product offering.