

TRADITIONAL STYLED BASE

200 Series

Base

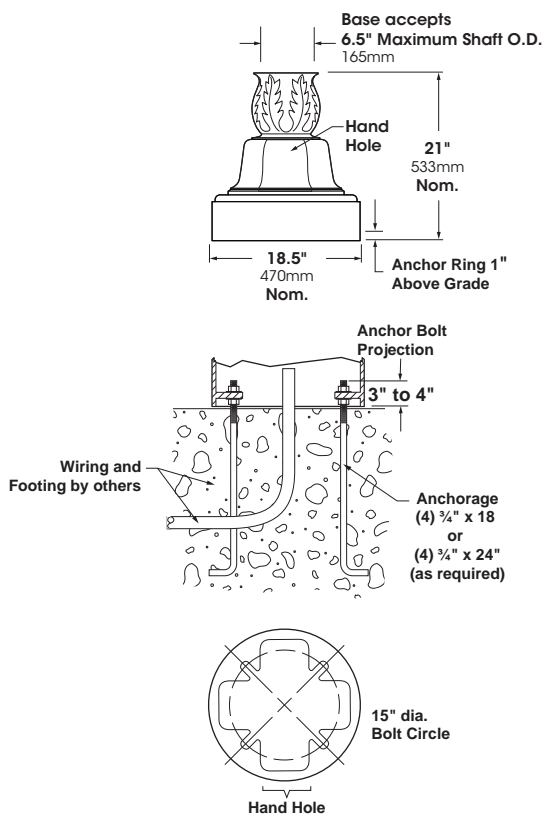
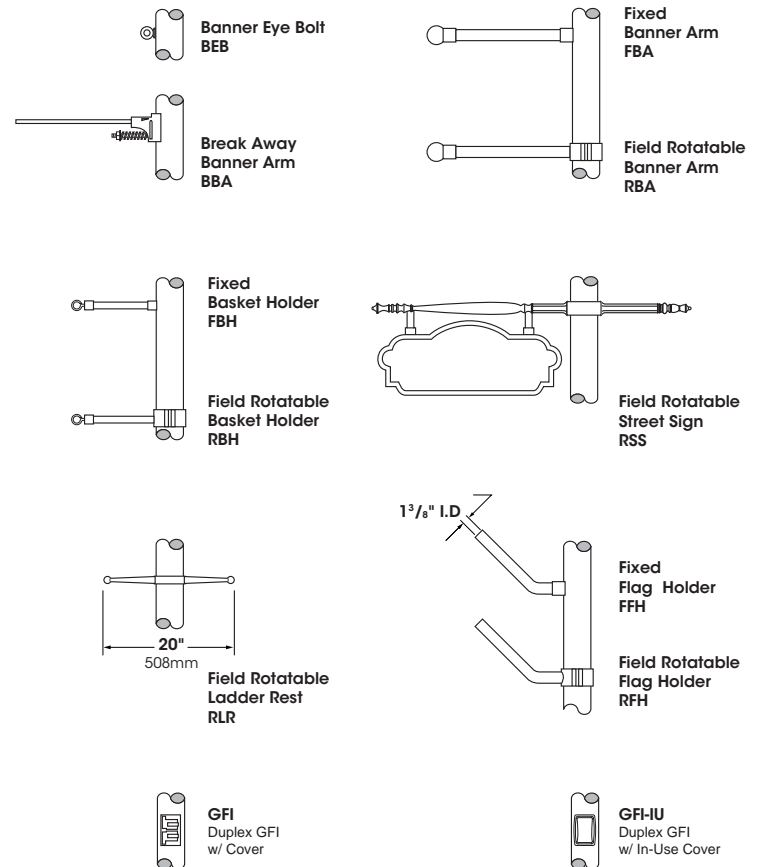
One piece corrosion resistant, durable cast aluminum construction. Minimum .225 wall thickness. Base consists of a 19" dia. wide smooth stepped bottom section with decorative Rosette and a contoured flush Hand Hole, Hand Hole Hover supplied with tamper resistant hardware. Grounding Grog provided inside Base opposite Hand Hole.

Anchorage

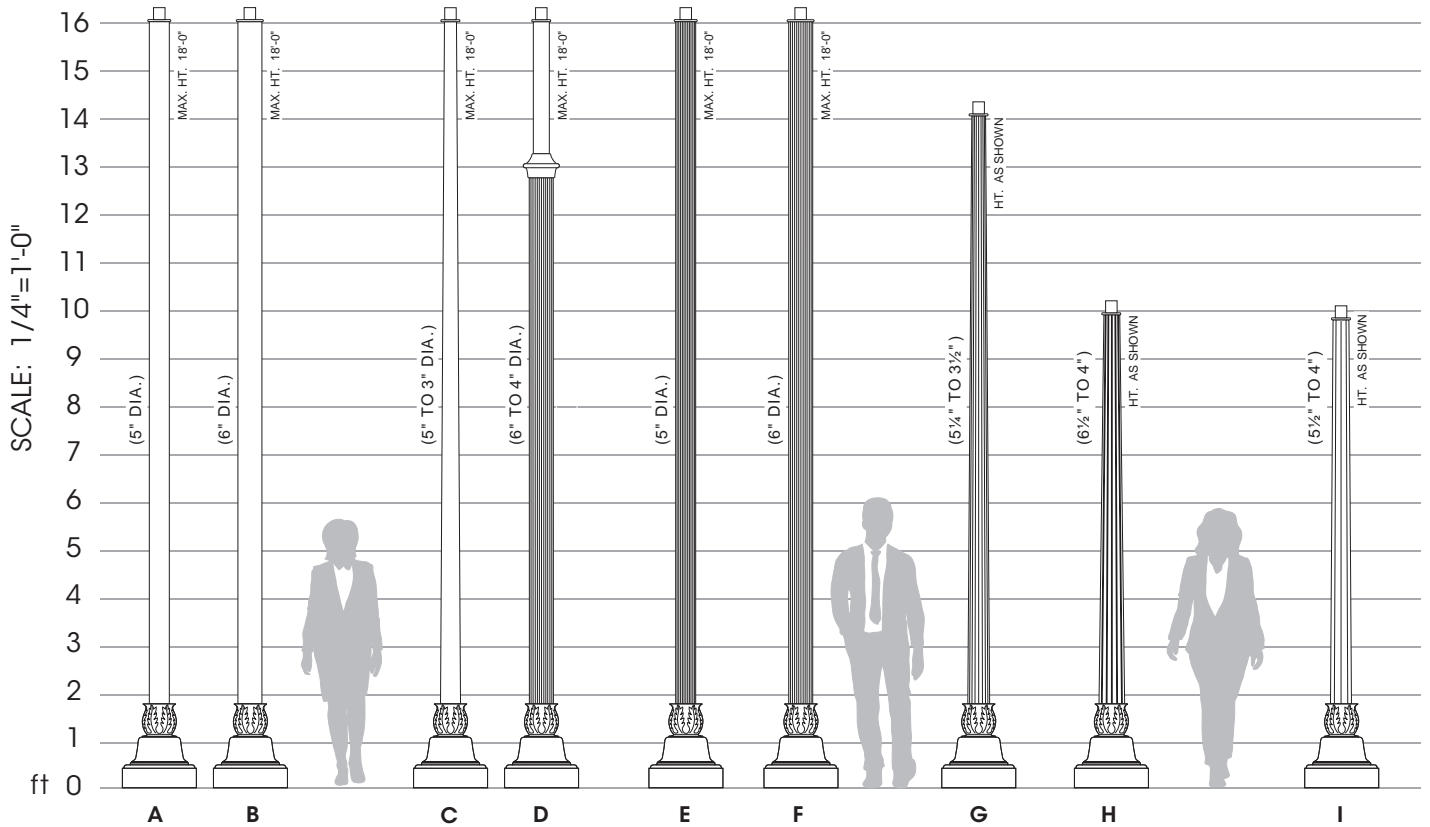
A 3/4" cast aluminum anchor ring is welded 1" above bottom of base to accept (4) fully galvanized anchor bolts. Each bolt supplied with two nuts and two washers. Anchorage is fastened through hand hole.

Finish

Electrostatically applied TGIC Polyester Powder Coat on substrate prepared with 20 PSI power wash at 140°F. Four step media blast and iron phosphate pretreatment for protection and paint adhesion. 400°F bake for maximum hardness and durability.


200
ANCHORAGE DATA

OPTIONS

<https://www.usaltg.com/downloads/pdf/Pole-Arm-Accessories.pdf>

2025014

SAMPLE ASSEMBLIES

Finish
 Standard Textured (-T)

- Black
RAL-9005-T
- White
RAL-9003-T
- Grey
RAL-7004-T
- Dark Bronze
RAL-8019-T
- Green
RAL-6005-T

Premium Finishes

- Patina
Copper
PC
- Rust
- Custom
Specify RAL# _____
- Anodized
AZ

See USALTG.com for additional colors

- A. 2-1050-XX-PT27/OPTIONS/FINISH
- B. 2-1090-XX-PT27/OPTIONS/FINISH
- C. 2-1035T-XX-PT27/OPTIONS/FINISH
- D. 2-9040-XX-PT27/OPTIONS/FINISH
- E. 2-1070-XX-PT27/OPTIONS/FINISH
- F. 2-1080-XX-PT27/OPTIONS/FINISH
- G. 2-1030C-XX-PT27/OPTIONS/FINISH
- H. 2-1050C-XX-PT27/OPTIONS/FINISH
- I. 2-1058C-XX-PT27/OPTIONS/FINISH

Note: XX represents height, example 10 foot and 6 inches will be written as 10'-6": 10-1040-10'-6"-PT27/OPTIONS.

Sample Assemblies show a small offering of the Sun Valley Line of Poles & Shafts.

Please visit usaltg.com for the full product offering.