

## TRADITIONAL STYLED BASE

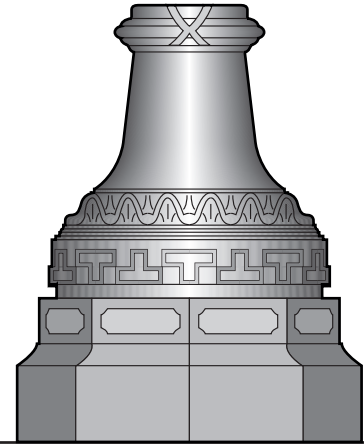
# 2700 Split Base Series

**Base**

Two piece wraparound, corrosion resistant, durable cast aluminum construction with Hand Hole Cover contoured to Base design. Hand Hole Cover supplied with tamper resistant hardware. (4) 1/4"-20 Set Screws provided to secure decorative Base to Shaft.

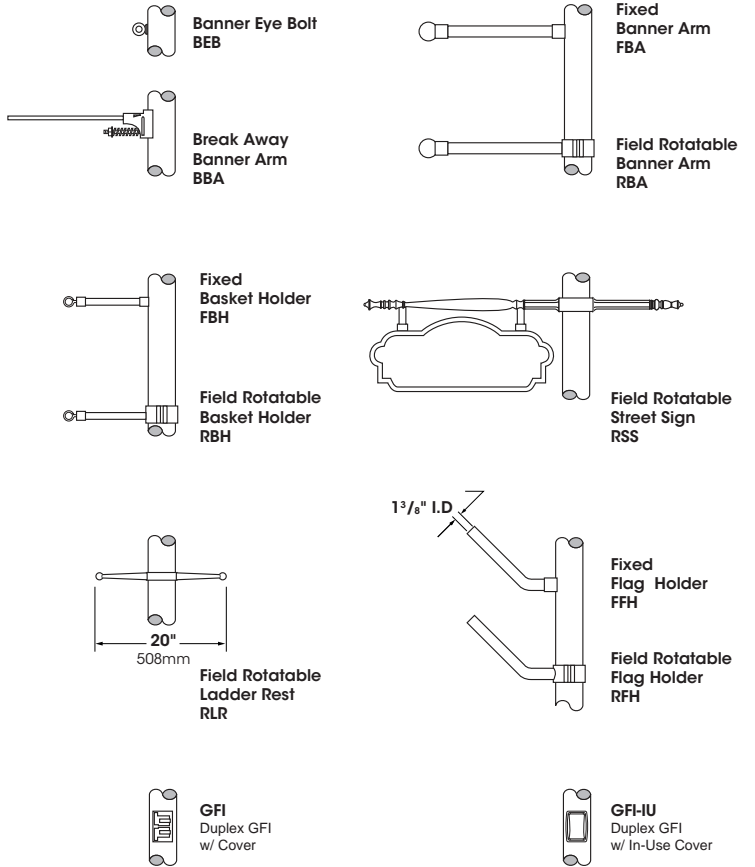
**Finish**

Super TGIC polyester powder coating is applied onto a metal substrate this has been pretreated with a four-stage process for maximum adhesion and color retention. The top coat is baked at 400° F for maximum hardness and exterior durability.


**2700SB**
**ORDERING INFORMATION**

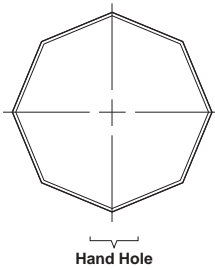
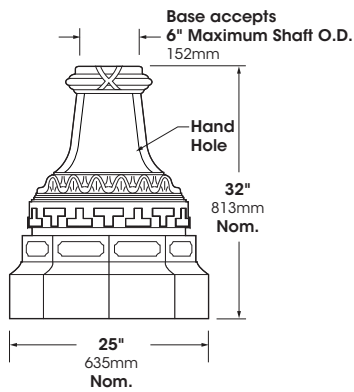
Spec/Order Example: 2700SB/RAL-9003-T/RBH

Base	Finish	Options
<b>Base</b>	<b>Finish</b>	<b>Options</b>
<input type="checkbox"/> 2700SB	<b>Standard Textured Finish</b> <input type="checkbox"/> Black RAL-9005-T <input type="checkbox"/> White RAL-9003-T <input type="checkbox"/> Grey RAL-7004-T <input type="checkbox"/> Dark Bronze RAL-8019-T <input type="checkbox"/> Green RAL-6005-T  <b>Premium Finishes</b> <input type="checkbox"/> Rust <input type="checkbox"/> Patina Copper PC  For smooth finish replace suffix "T" with suffix "S" (Example: RAL-9500-S)  Consult factory for custom colors	<input type="checkbox"/> Banner Eye Bolt BEB <sup>1</sup> <input type="checkbox"/> Break Away Banner Arm BBA <input type="checkbox"/> Fixed Banner Arm FBA <sup>1</sup> <input type="checkbox"/> Field Rotatable Banner Arm RBA <input type="checkbox"/> Fixed Basket Holder FBH <sup>1</sup> <input type="checkbox"/> Field Rotatable Basket Holder RBH <input type="checkbox"/> Field Rotatable Street Sign RSS <input type="checkbox"/> Field Rotatable Ladder Rest RLR <input type="checkbox"/> Fixed Flag Holder FFH <sup>1</sup> <input type="checkbox"/> Field Rotatable Flag Holder RFH <input type="checkbox"/> Duplex GFI w/ Cover GFI <sup>1</sup> <input type="checkbox"/> Duplex GFI w/ In-Use Cover GFHU <sup>1</sup>  1- available only with the purchase of a new pole assembly from our factories.  *Field* options must specify the diameter of the pole (4" to 6" Dia. max.)

**OPTIONS**

<https://www.usaltg.com/downloads/pdf/Pole-Arm-Accessories.pdf>

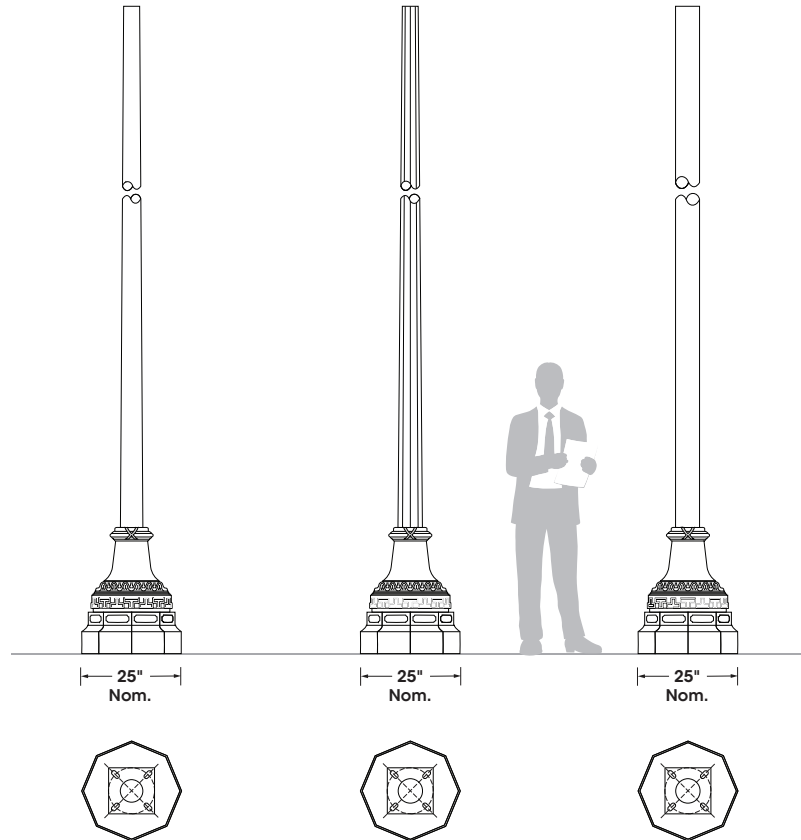
2024136

## DIMENSIONS



**Note:** Anchor Plate for Pole Assembly used with this decorative 2-pc Base must fit inside a 22" dia.

## SAMPLE ASSEMBLIES



SCALE: 1/4"=1'-0"

Sample Assemblies show small offering of Sun Valley's line of Poles & Shafts. Please visit [usaltg.com](http://usaltg.com) for full product catalog.