

TRADITIONAL STYLED BASE

3600 Split Base Series

Base

Two piece wraparound, corrosion resistant, durable cast aluminum construction with Hand Hole Cover contoured to Base design. Hand Hole Cover supplied with tamper resistant hardware. (4) 1/4"-20 Set Screws provided to secure decorative Base to Shaft.

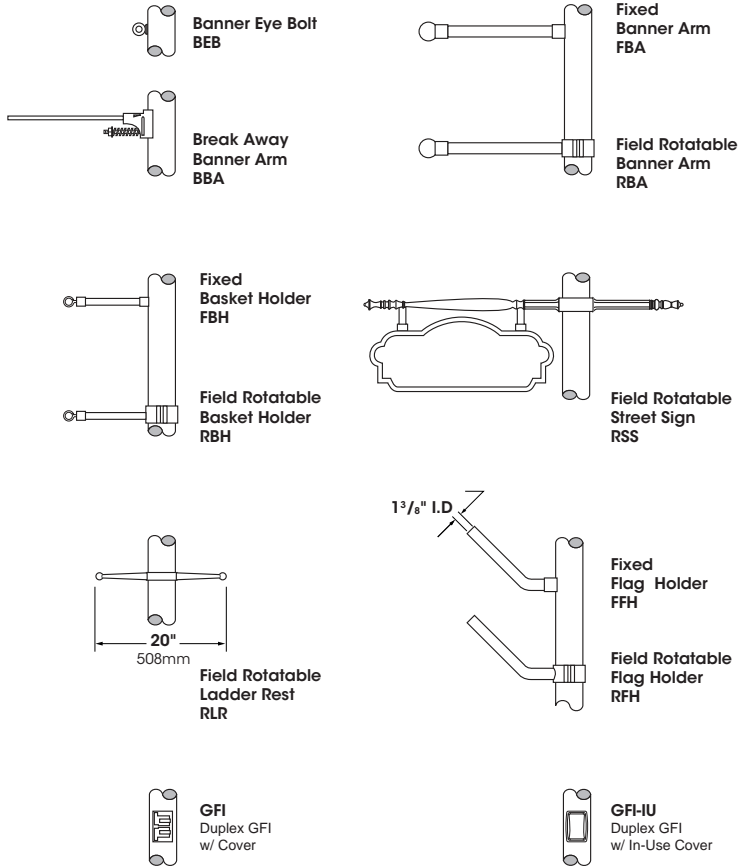
Finish

Super TGIC polyester powder coating is applied onto a metal substrate this has been pretreated with a four-stage process for maximum adhesion and color retention. The top coat is baked at 400° F for maximum hardness and exterior durability.


3600SB
ORDERING INFORMATION

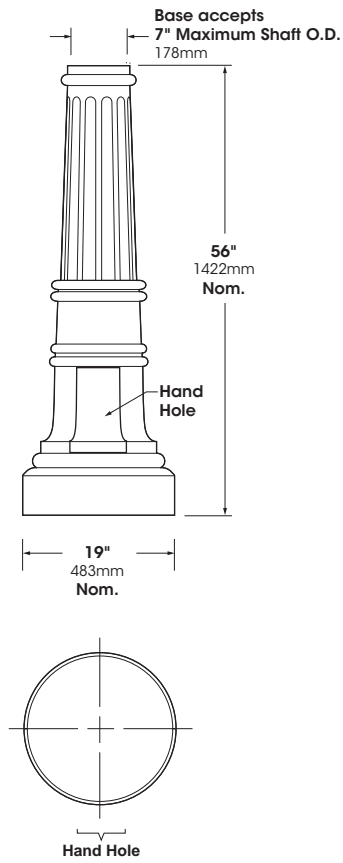
Spec/Order Example: 3600SB/RAL-9003-T/RBH

Base	Finish	Options
Base	Finish	Options
<input type="checkbox"/> 3600SB	Standard Textured Finish <input type="checkbox"/> Black RAL-9005-T <input type="checkbox"/> White RAL-9003-T <input type="checkbox"/> Grey RAL-7004-T <input type="checkbox"/> Dark Bronze RAL-8019-T <input type="checkbox"/> Green RAL-6005-T Premium Finishes <input type="checkbox"/> Rust <input type="checkbox"/> Patina Copper PC For smooth finish replace suffix "T" with suffix "S" (Example: RAL-9500-S) Consult factory for custom colors	<input type="checkbox"/> Banner Eye Bolt BEB ¹ <input type="checkbox"/> Break Away Banner Arm BBA <input type="checkbox"/> Fixed Banner Arm FBA ¹ <input type="checkbox"/> Field Rotatable Banner Arm RBA <input type="checkbox"/> Fixed Basket Holder FBH ¹ <input type="checkbox"/> Field Rotatable Basket Holder RBH <input type="checkbox"/> Field Rotatable Street Sign RSS <input type="checkbox"/> Field Rotatable Ladder Rest RLR <input type="checkbox"/> Fixed Flag Holder FFH ¹ <input type="checkbox"/> Field Rotatable Flag Holder RFH <input type="checkbox"/> Duplex GFI w/ Cover GFI ¹ <input type="checkbox"/> Duplex GFI w/ In-Use Cover GFIU ¹ 1- available only with the purchase of a new pole assembly from our factories. *Field* options must specify the diameter of the pole (4" to 6" Dia. max.)

OPTIONS

<https://www.usaltg.com/downloads/pdf/Pole-Arm-Accessories.pdf>

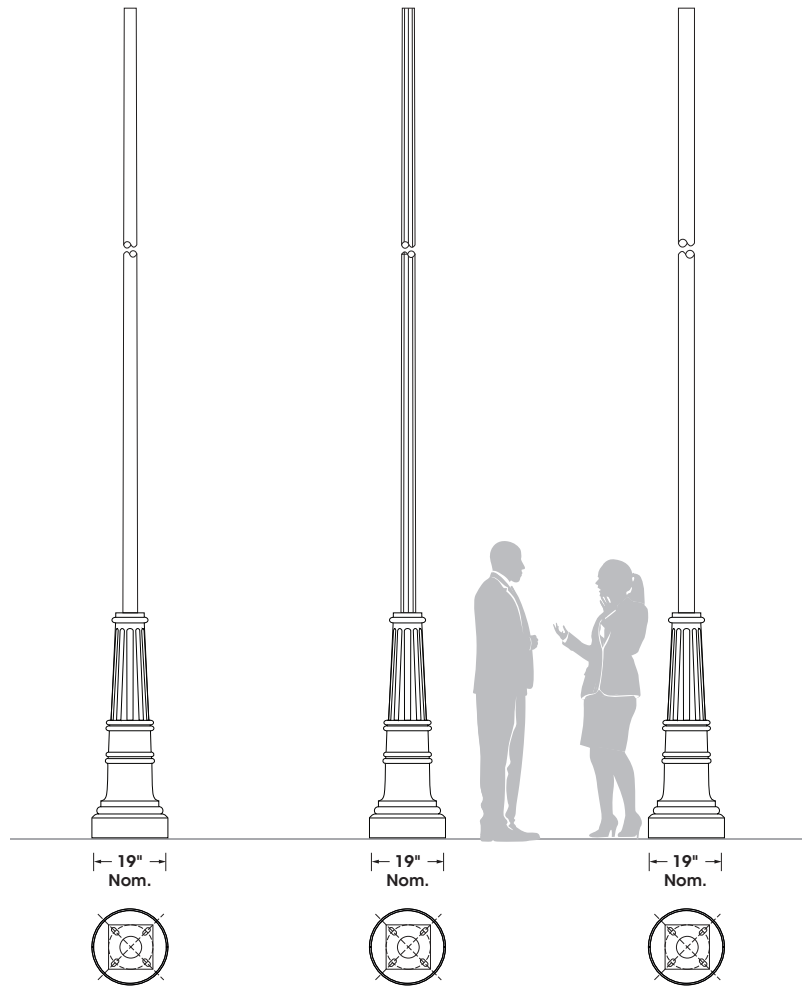
2024136

DIMENSIONS



Note: Anchor Plate for Pole Assembly used with this decorative 2-pc Base must fit inside a 18" dia.

SAMPLE ASSEMBLIES



SCALE: 1/4"=1'-0"

Sample Assemblies show small offering of Sun Valley's line of Poles & Shafts. Please visit usaltg.com for full product catalog.