

## TRADITIONAL STYLED BASE

# 4300 Split Base Series

**Base**

Two piece wraparound, corrosion resistant, durable cast aluminum construction. Minimum .225 wall thickness. Base consists of a smooth top and bottom section. Base is furnished with Hand Hole and Cover. Hand Hole Cover supplied with tamper resistant hardware. (4) 1/4"-20 Set Screws provided to secure decorative Base to Shaft.

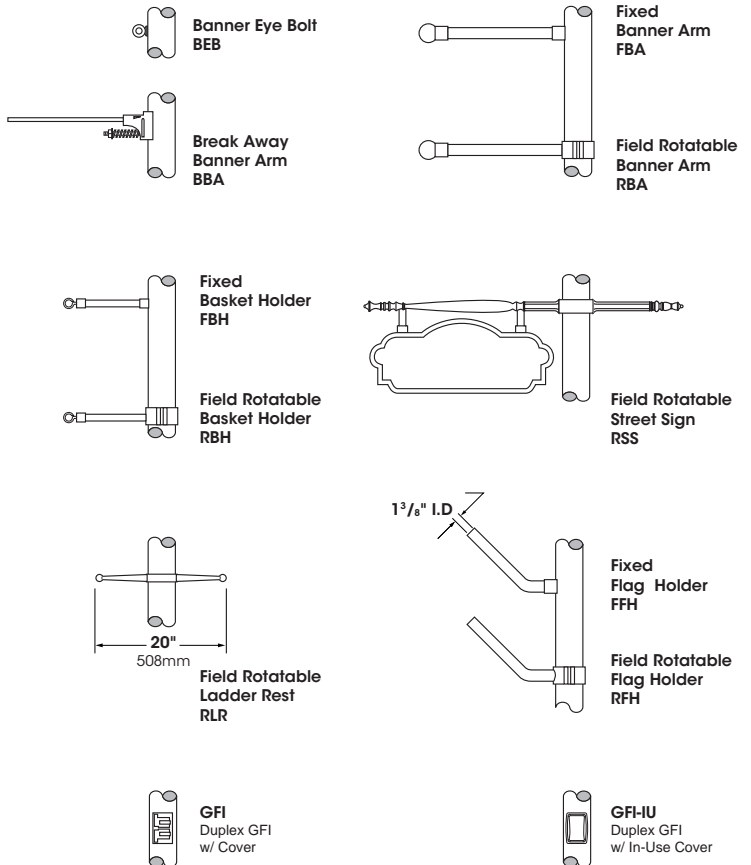
**Finish**

Electrostatically applied TGIC Polyester Powder Coat on substrate prepared with 20 PSI power wash at 140°F. Four step media blast and iron phosphate pretreatment for protection and paint adhesion. 400°F bake for maximum hardness and durability.


**4300SB**
**ORDERING INFORMATION**

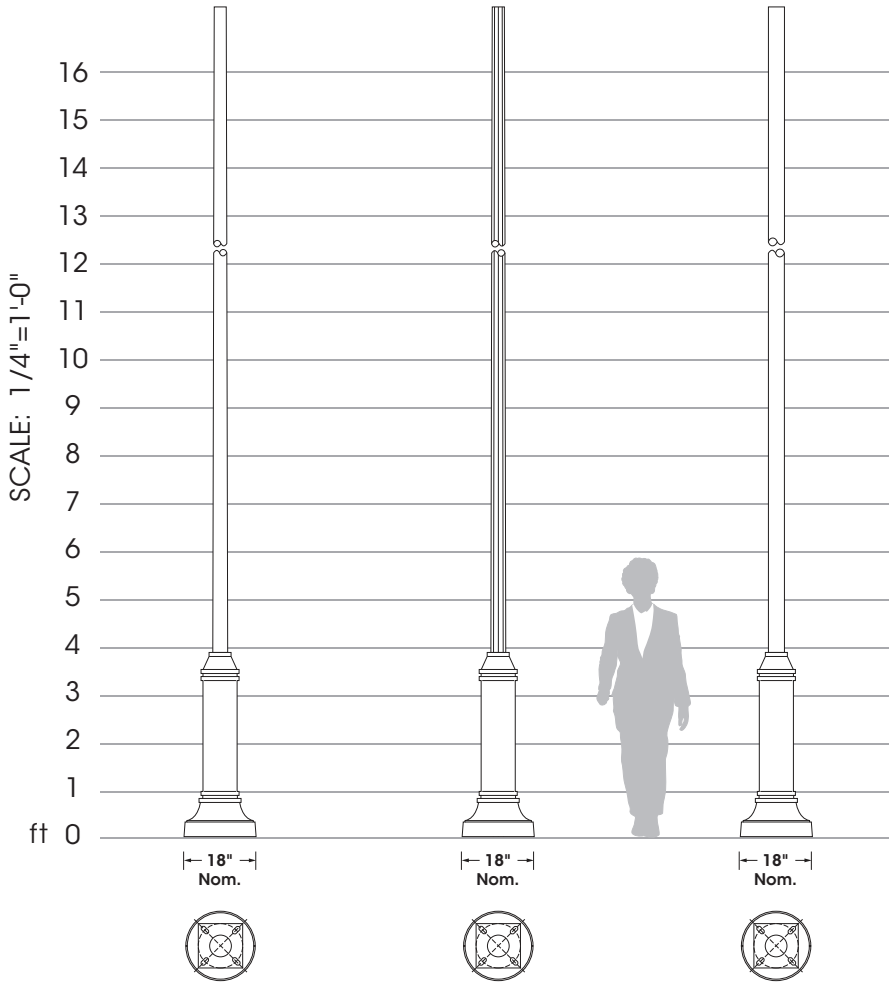
Spec/Order Example: 4300SB/RAL-9003-T/RBH

Base	Finish	Options
<input type="checkbox"/> 4300SB	<b>Standard Textured Finish</b> <input type="checkbox"/> Black RAL-9005-T <input type="checkbox"/> White RAL-9003-T <input type="checkbox"/> Grey RAL-7004-T <input type="checkbox"/> Dark Bronze RAL-8019-T <input type="checkbox"/> Green RAL-6005-T  <b>Premium Finishes</b> <input type="checkbox"/> Rust <input type="checkbox"/> Patina Copper PC  For smooth finish replace suffix "T" with suffix "S" (Example: RAL-9500-S) Consult factory for custom colors	<input type="checkbox"/> Banner Eye Bolt BEB <sup>1</sup> <input type="checkbox"/> Break Away Banner Arm BBA <input type="checkbox"/> Fixed Banner Arm FBA <sup>1</sup> <input type="checkbox"/> Field Rotatable Banner Arm RBA <input type="checkbox"/> Fixed Basket Holder FBH <sup>1</sup> <input type="checkbox"/> Field Rotatable Basket Holder RBH <input type="checkbox"/> Field Rotatable Street Sign RSS <input type="checkbox"/> Field Rotatable Ladder Rest RLR <input type="checkbox"/> Fixed Flag Holder FFH <sup>1</sup> <input type="checkbox"/> Field Rotatable Flag Holder RFH <input type="checkbox"/> Duplex GFI w/ Cover GFI <sup>1</sup> <input type="checkbox"/> Duplex GFI w/ In-Use Cover GFH-U <sup>1</sup> 1- Available only when purchasing a new Pole Assembly from SV Ltg

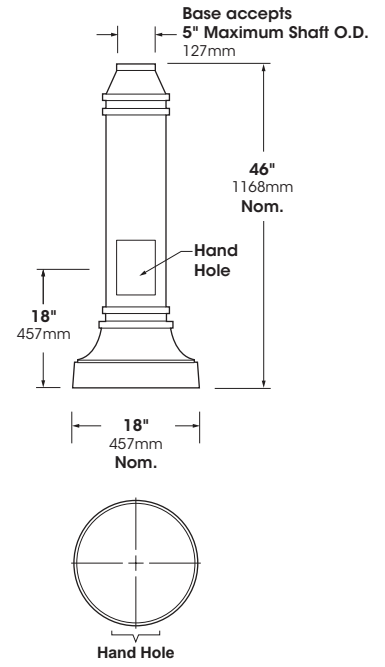
**OPTIONS**


2023289

## SAMPLE ASSEMBLIES



## DIMENSIONS



**Note:** Anchor Plate for Pole Assembly used with this decorative 2-pc Base must fit inside a 17" dia.

Sample Assemblies show a small offering of the Sun Valley Line of Poles & Shafts.  
 Please visit [usaltg.com](http://usaltg.com) for the full product offering.