

## TRADITIONAL STYLED BASE

# 4900 Series

**Base**

One piece, corrosion resistant durable cast aluminum construction. Minimum .225 wall thickness. Base consists of a smooth, bottom section and a decorative top section. Base is furnished with hand hole and cover. Hand hole cover supplied with tamper resistant hardware. Grounding lug provided inside base opposite hand hole.

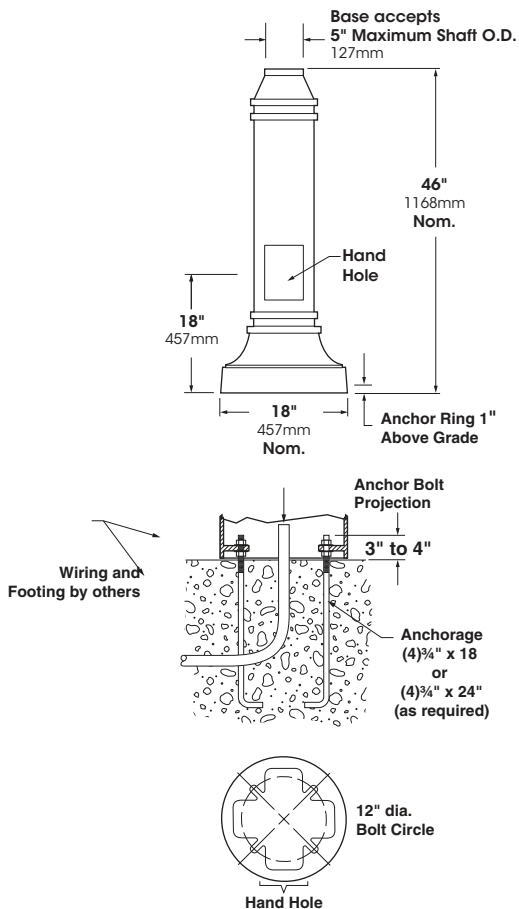
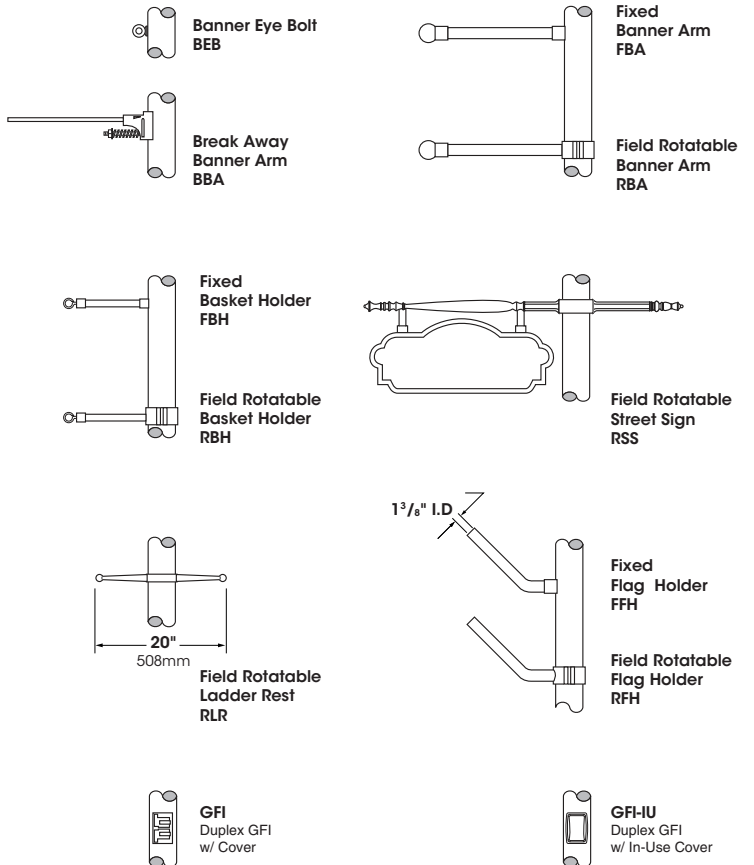
**Anchorage**

A 3/4" cast aluminum anchor ring is welded 1" above bottom of base to accept (4) fully galvanized anchor bolts. Each bolt supplied with two nuts and two washers. Anchorage is fastened through hand hole.

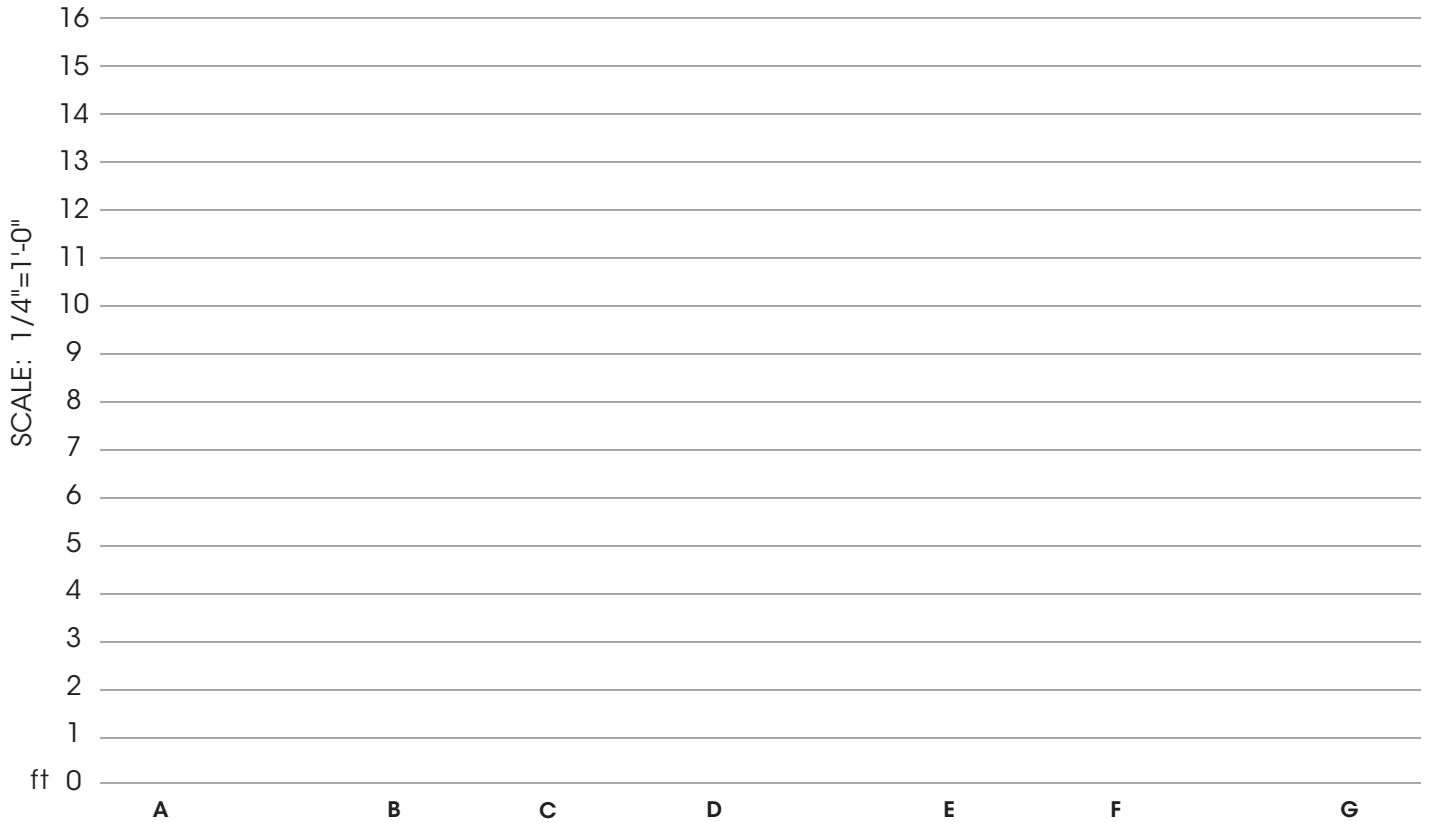
**Finish**

Electrostatically applied TGIC Polyester Powder Coat on substrate prepared with 20 PSI power wash at 140°F. Four step media blast and iron phosphate pretreatment for protection and paint adhesion. 400°F bake for maximum hardness and durability.

## 4900

**ANCHORAGE DATA**

**OPTIONS**

<https://www.usaltg.com/downloads/pdf/Pole-Arm-Accessories.pdf>

2024057

**SAMPLE ASSEMBLIES**


- A. 4300-1040-XX-PT27/OPTIONS
- B. 4300-1050-XX-PT27/OPTIONS
- C. 4300-1030T-XX-PT27/OPTIONS
- D. 4300-4030-XX-PT27/OPTIONS
- E. 4300-1060-XX-PT27/OPTIONS
- F. 4300-6030-XX-PT27/OPTIONS
- G. 4300-1030C-XX-PT27/OPTIONS

Note: XX represents height, example 10 foot and 6 inches will be written as 10'-6": 49-1040-10'-6"-PT27/OPTIONS.

**Sample Assemblies show a small offering of the Sun Valley Line of Poles & Shafts.**

**Please visit [usaltg.com](http://usaltg.com) for the full product offering.**

## TRADITIONAL STYLED BASE

# 5100 Series

**Base**

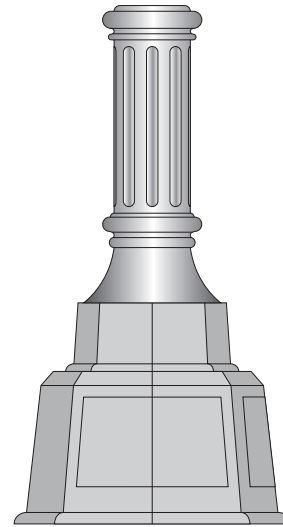
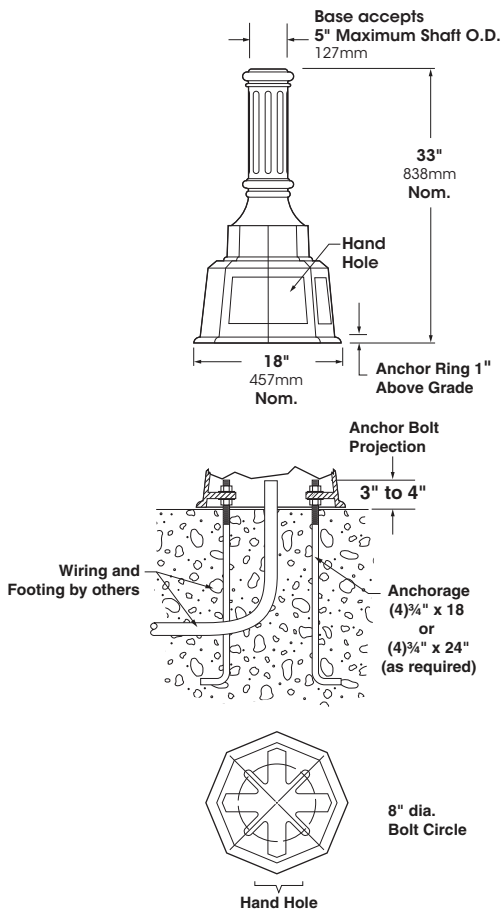
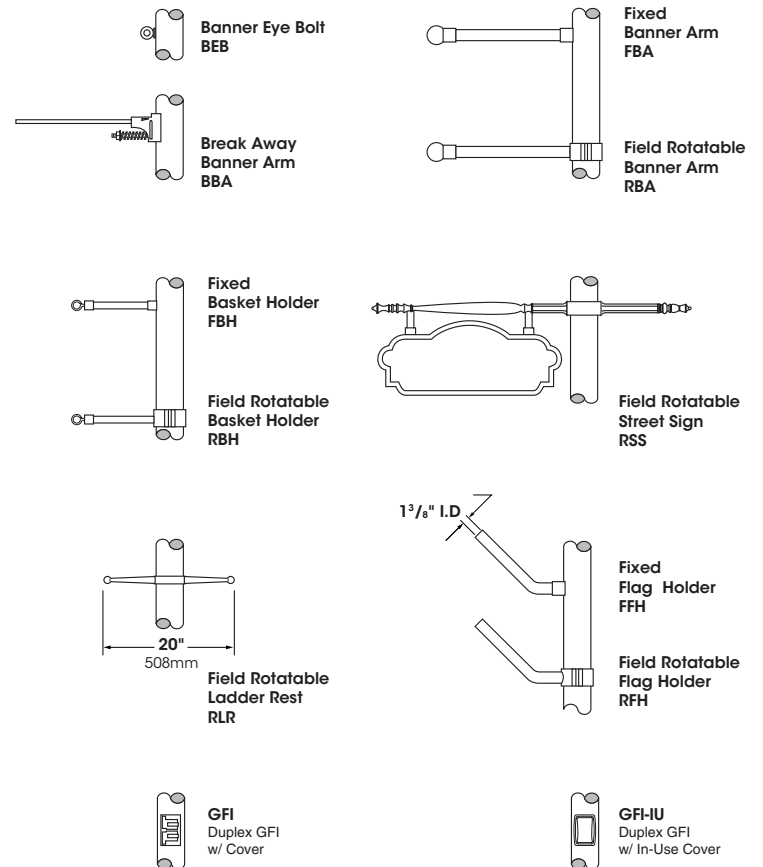
One piece corrosion resistant, durable cast aluminum construction. Minimum .210 wall thickness. Base consists of an octagonal, stepped bottom section with Hand Hole and a decorative fluted section consisting of evenly spaced, highly detailed raised vertical flutes. Hand Hole Cover supplied with tamper resistant hardware. Grounding Lug provided inside Base opposite Hand Hole.

**Anchorage**

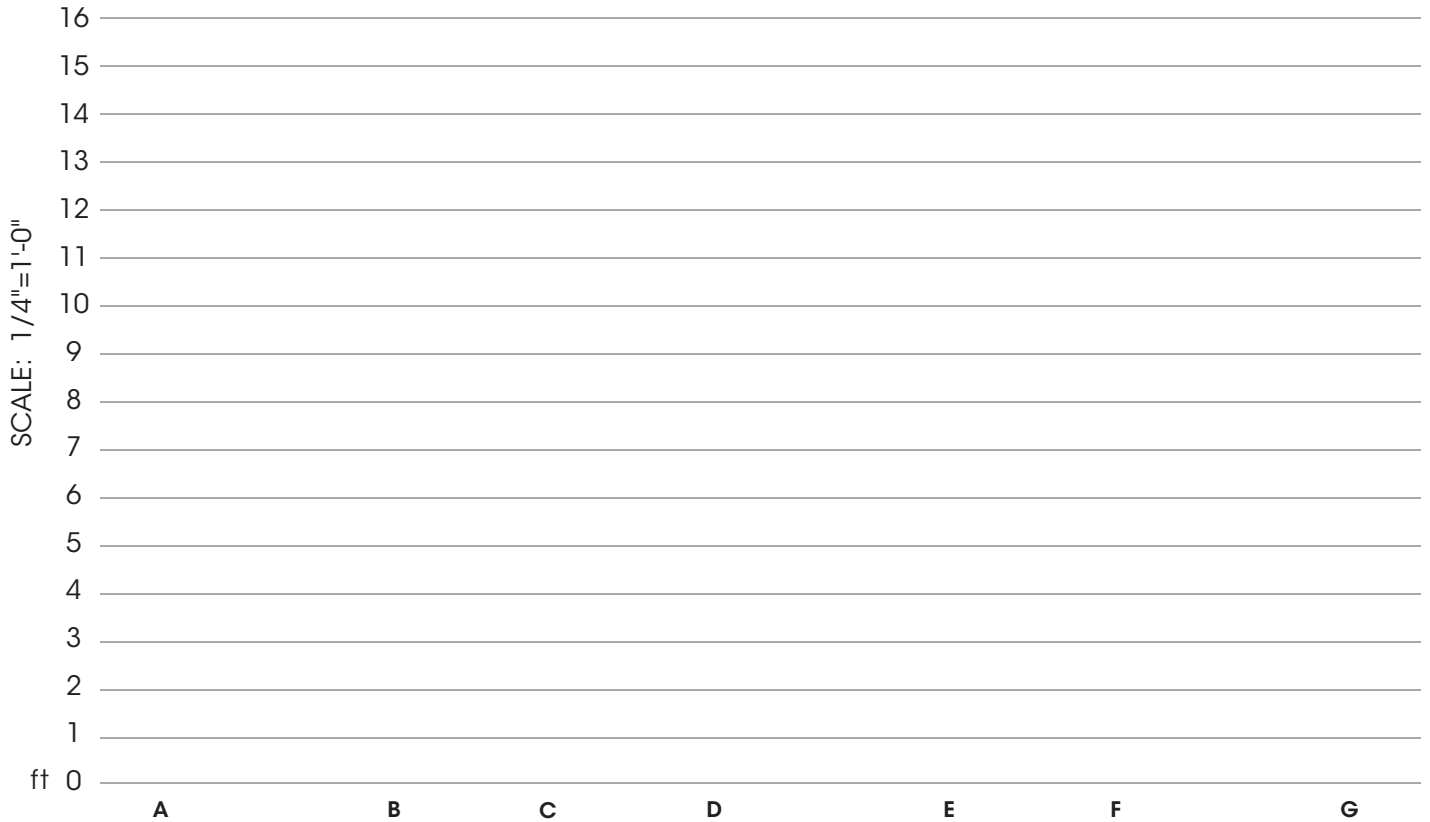
A 3/4" cast aluminum anchor ring is welded 1" above bottom of base to accept (4) fully galvanized anchor bolts. Each bolt supplied with two nuts and two washers. Anchorage is fastened through hand hole.

**Finish**

Electrostatically applied TGIC Polyester Powder Coat on substrate prepared with 20 PSI power wash at 140°F. Four step media blast and iron phosphate pretreatment for protection and paint adhesion. 400°F bake for maximum hardness and durability.


**5100**
**ANCHORAGE DATA**

**OPTIONS**

<https://www.usaltg.com/downloads/pdf/Pole-Arm-Accessories.pdf>

2024057

**SAMPLE ASSEMBLIES**


- A. 4300-1040-XX-PT27/OPTIONS
- B. 4300-1050-XX-PT27/OPTIONS
- C. 4300-1030T-XX-PT27/OPTIONS
- D. 4300-4030-XX-PT27/OPTIONS
- E. 4300-1060-XX-PT27/OPTIONS
- F. 4300-6030-XX-PT27/OPTIONS
- G. 4300-1030C-XX-PT27/OPTIONS

Note: XX represents height, example 10 foot and 6 inches will be written as 10'-6": 51-1040-10'-6"-PT27/OPTIONS.

**Sample Assemblies show a small offering of the Sun Valley Line of Poles & Shafts.**

**Please visit [usaltg.com](http://usaltg.com) for the full product offering.**

## TRADITIONAL STYLED BASE

# 5200 Series

**Base**

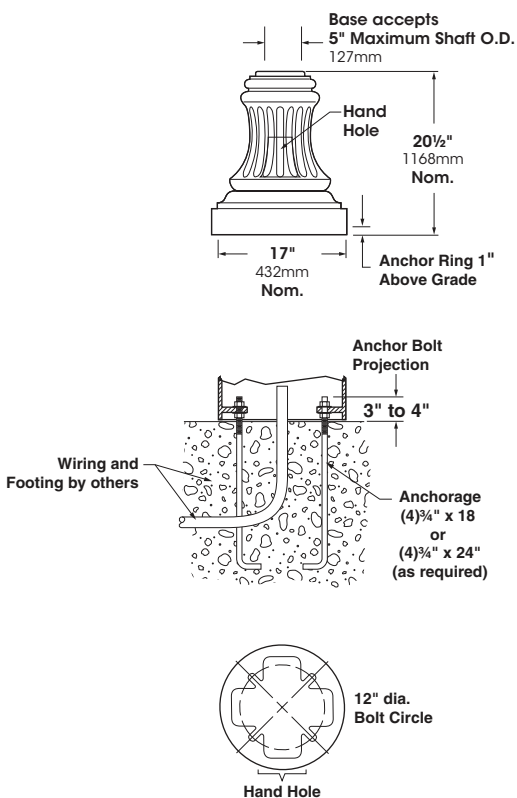
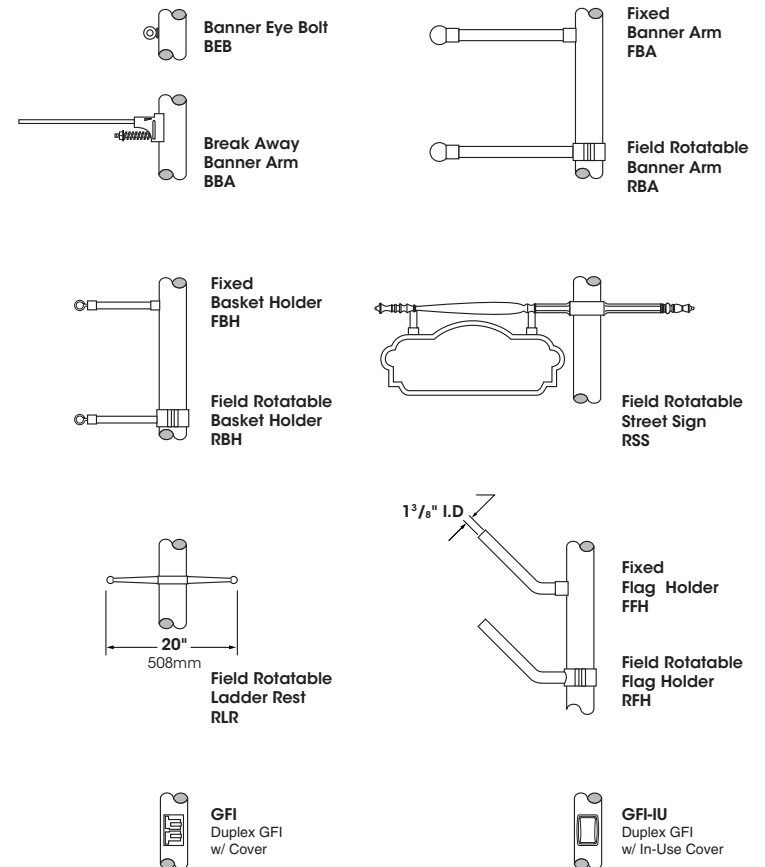
One piece corrosion resistant, durable cast aluminum construction. Minimum .225 wall thickness. Base consists of a smooth, tapered bottom section and a decorative tapered fluted section with evenly spaced raised vertical flutes. Base is furnished with a contoured, fluted flush Hand Hole and Cover. Hand Hole Cover supplied with tamper resistant hardware. Grounding Lug provided inside Base opposite Hand Hole.

**Anchorage**

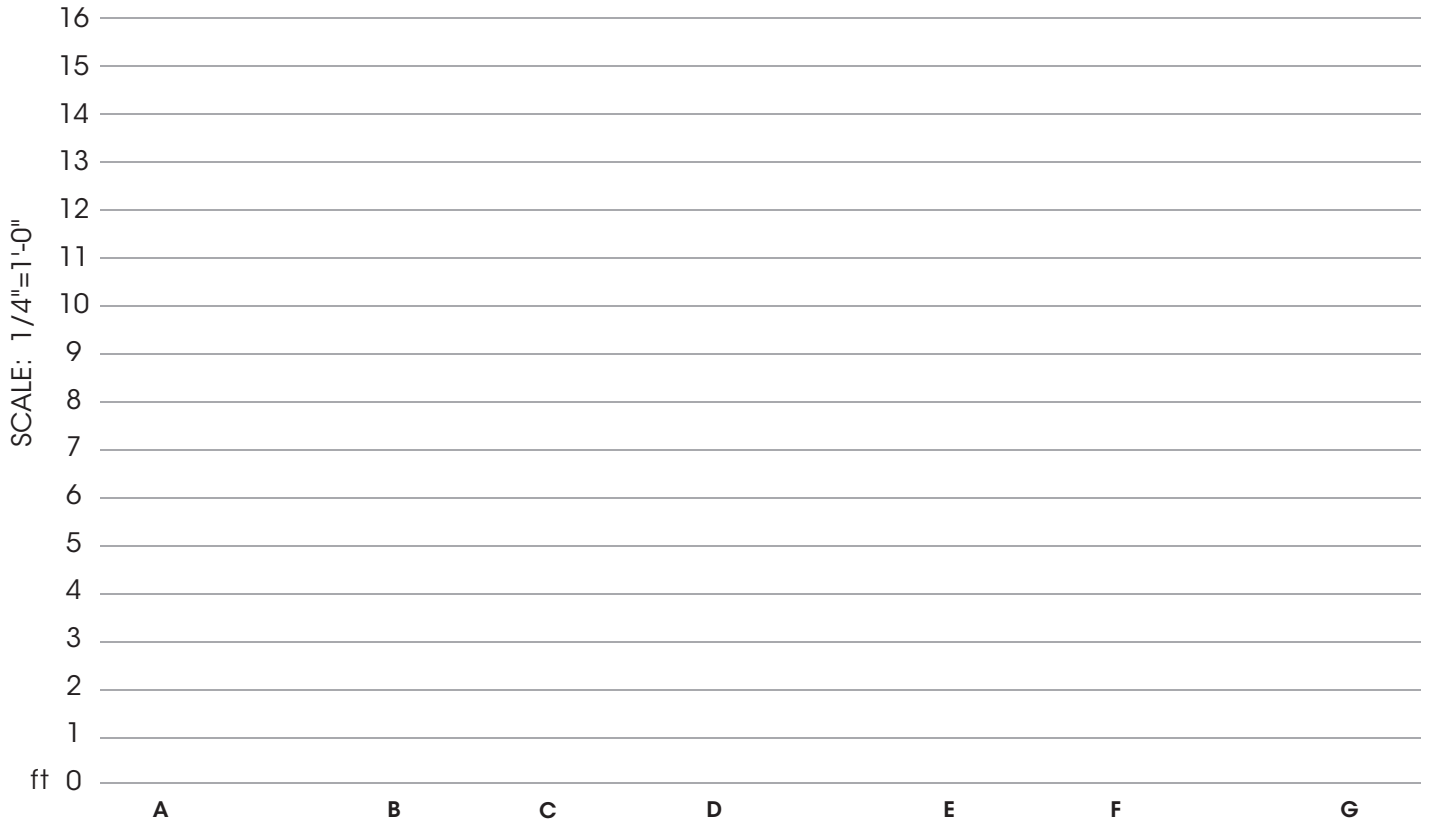
A 3/4" cast aluminum anchor ring is welded 1" above bottom of base to accept (4) fully galvanized anchor bolts. Each bolt supplied with two nuts and two washers. Anchorage is fastened through hand hole.

**Finish**

Electrostatically applied TGIC Polyester Powder Coat on substrate prepared with 20 PSI power wash at 140°F. Four step media blast and iron phosphate pretreatment for protection and paint adhesion. 400°F bake for maximum hardness and durability.


**5200**
**ANCHORAGE DATA**

**OPTIONS**

<https://www.usaltg.com/downloads/pdf/Pole-Arm-Accessories.pdf>

2024057

**SAMPLE ASSEMBLIES**


- A. 4300-1040-XX-PT27/OPTIONS
- B. 4300-1050-XX-PT27/OPTIONS
- C. 4300-1030T-XX-PT27/OPTIONS
- D. 4300-4030-XX-PT27/OPTIONS
- E. 4300-1060-XX-PT27/OPTIONS
- F. 4300-6030-XX-PT27/OPTIONS
- G. 4300-1030C-XX-PT27/OPTIONS

Note: XX represents height, example 10 foot and 6 inches will be written as 10'-6": 52-1040-10'-6"-PT27/OPTIONS.

**Sample Assemblies show a small offering of the Sun Valley Line of Poles & Shafts.**

**Please visit [usaltg.com](http://usaltg.com) for the full product offering.**

## TRADITIONAL STYLED BASE

# 5300 Series

**Base**

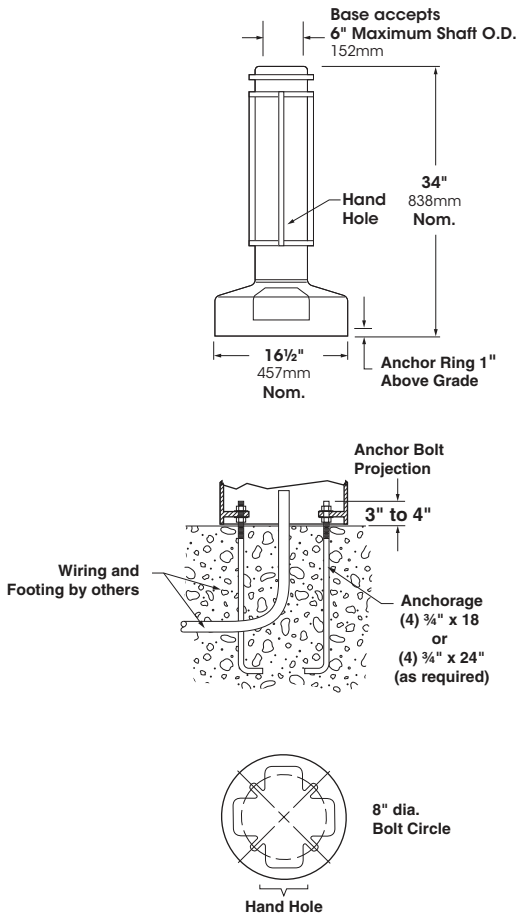
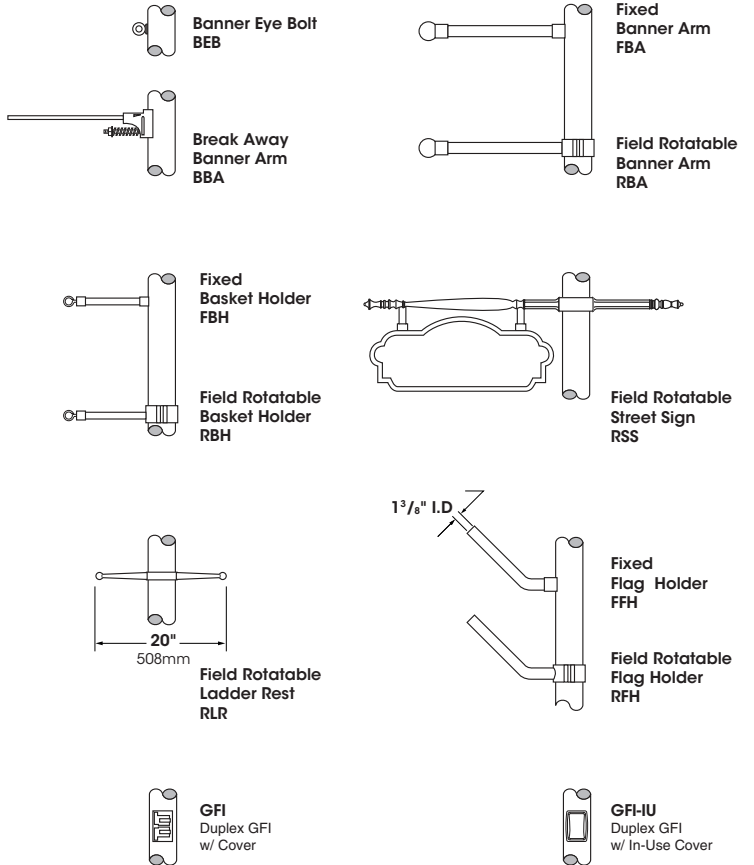
One piece corrosion resistant, durable cast aluminum construction, minimum .210 wall thickness. Base consists of an octagonal, stepped bottom section with Hand Hole and a decorative fluted section consisting of evenly spaced, highly detailed raised vertical flutes. Hand Hole Cover supplied with tamper resistant hardware. Grounding Lug provided inside Base opposite Hand Hole.

**Anchorage**

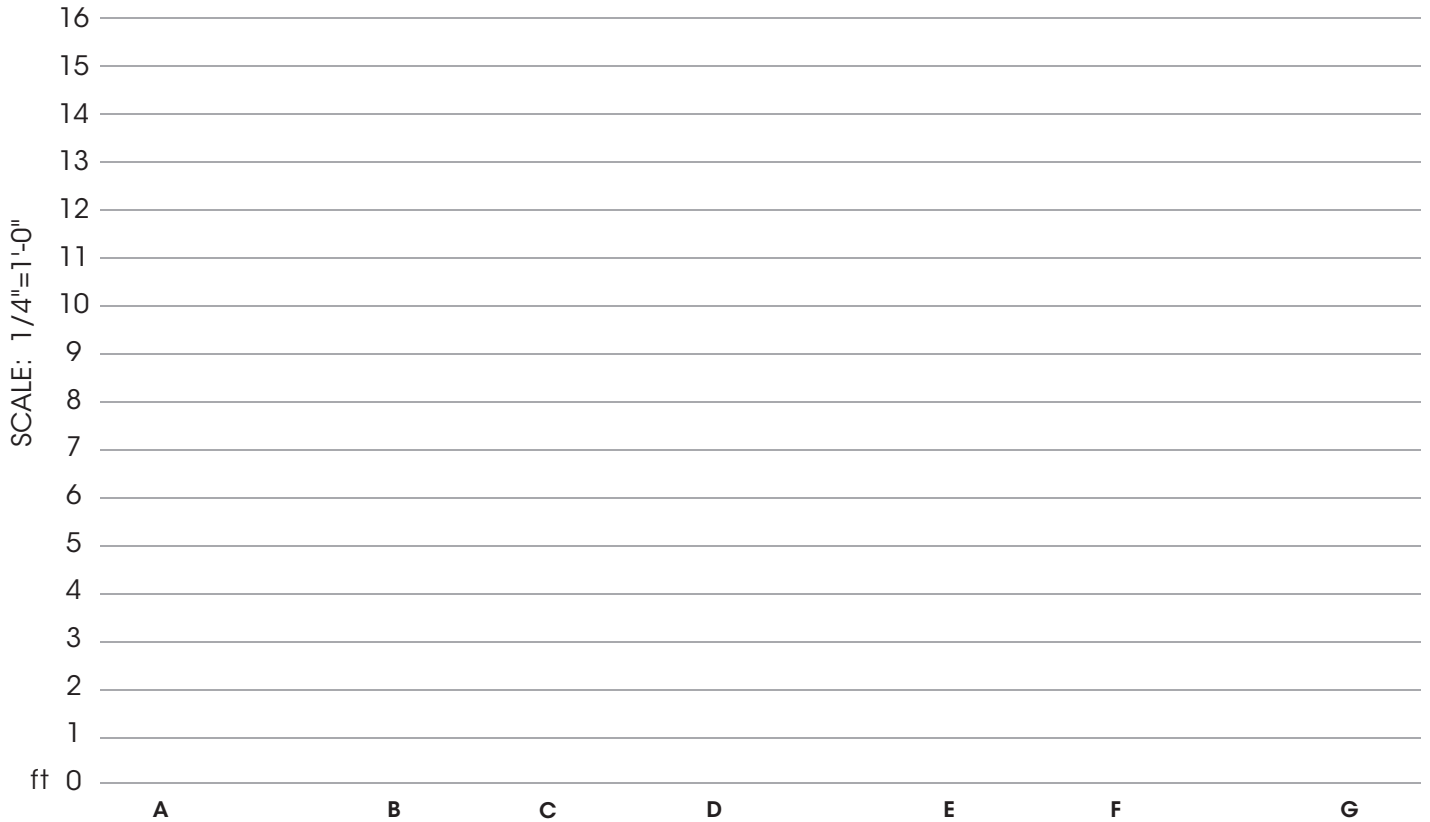
A 3/4" cast aluminum anchor ring is welded 1" above bottom of base to accept (4) fully galvanized anchor bolts. Each bolt supplied with two nuts and two washers. Anchorage is fastened through hand hole.

**Finish**

Electrostatically applied TGIC Polyester Powder Coat on substrate prepared with 20 PSI power wash at 140°F. Four step media blast and iron phosphate pretreatment for protection and paint adhesion. 400°F bake for maximum hardness and durability.


**5300**
**ANCHORAGE DATA**

**OPTIONS**

<https://www.usaltg.com/downloads/pdf/Pole-Arm-Accessories.pdf>

2024057

**SAMPLE ASSEMBLIES**


- A. 4300-1040-XX-PT27/OPTIONS
- B. 4300-1050-XX-PT27/OPTIONS
- C. 4300-1030T-XX-PT27/OPTIONS
- D. 4300-4030-XX-PT27/OPTIONS
- E. 4300-1060-XX-PT27/OPTIONS
- F. 4300-6030-XX-PT27/OPTIONS
- G. 4300-1030C-XX-PT27/OPTIONS

Note: XX represents height, example 10 foot and 6 inches will be written as 10'-6": 53-1040-10'-6"-PT27/OPTIONS.

Sample Assemblies show a small offering of the Sun Valley Line of Poles & Shafts.

Please visit [usaltg.com](http://usaltg.com) for the full product offering.



## TRADITIONAL STYLED BASE

# 7500 Series

**Base**

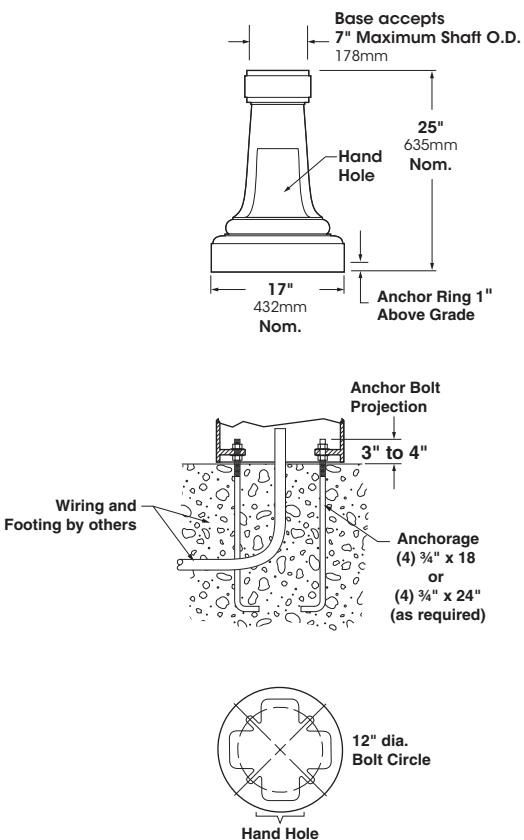
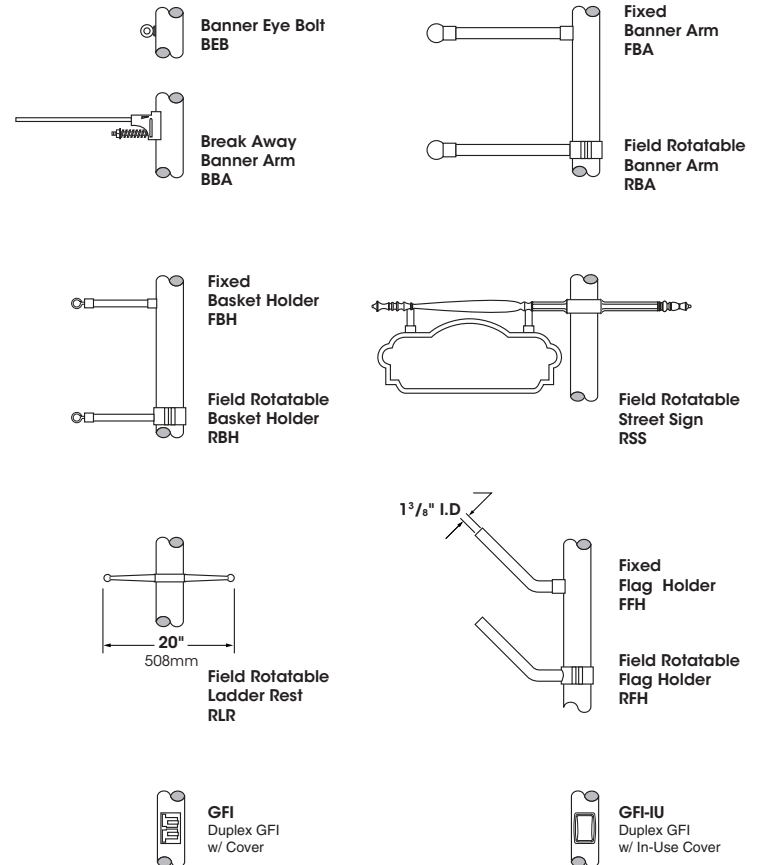
One piece corrosion resistant, durable cast aluminum construction. Minimum .210 wall thickness. Base consists of a smooth, tapered bottom section, and a smooth tapered top section, with a decorative cast aluminum Collar, and a Hand Hole Cover contoured to Base design. Hand Hole Cover supplied with tamper resistant hardware. Grounding Lug provided inside Base opposite Hand Hole.

**Anchorage**

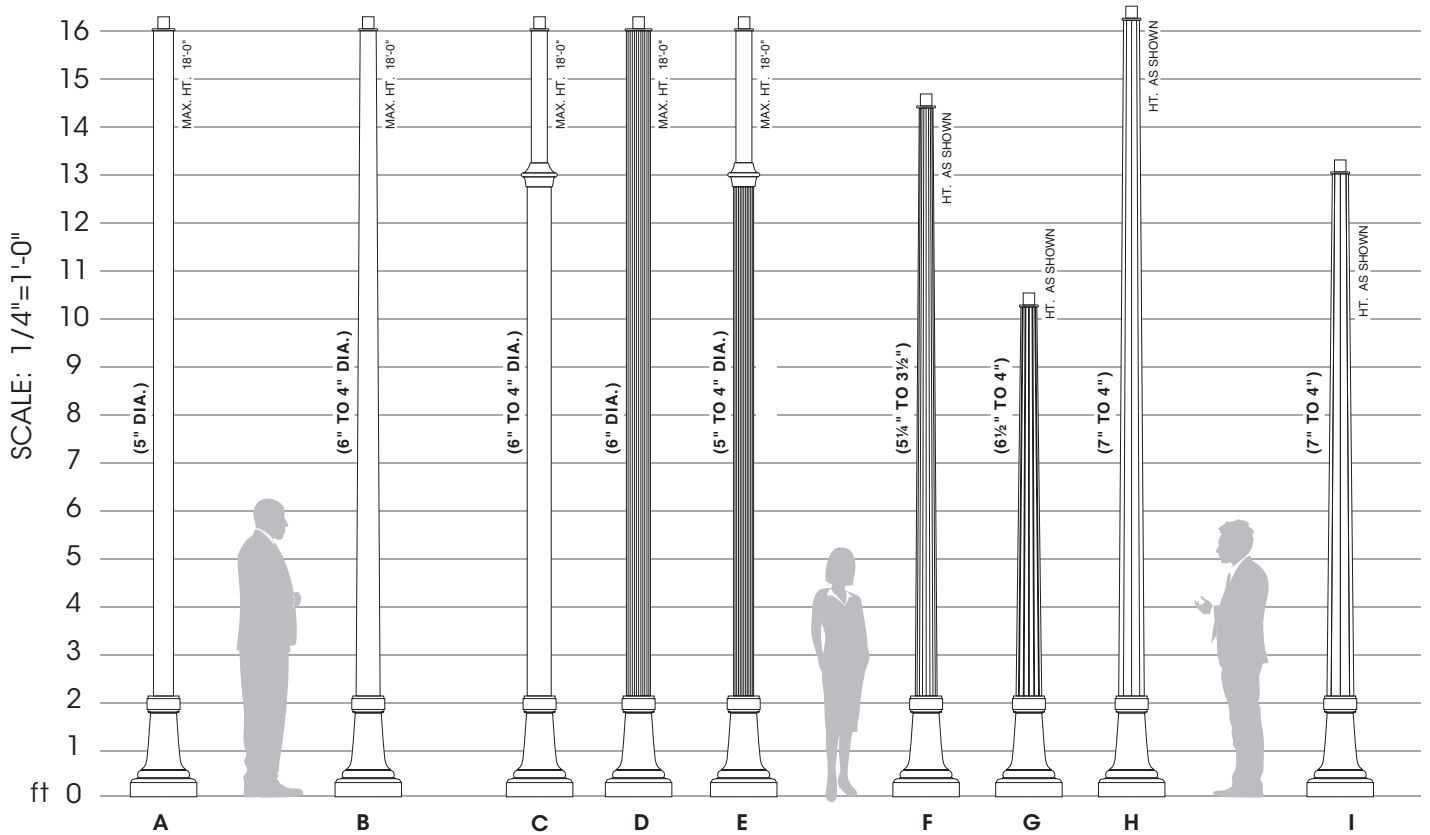
A 3/4" cast aluminum anchor ring is welded 1" above bottom of base to accept (4) fully galvanized anchor bolts. Each bolt supplied with two nuts and two washers. Anchorage is fastened through hand hole.

**Finish**

Electrostatically applied TGIC Polyester Powder Coat on substrate prepared with 20 PSI power wash at 140°F. Four step media blast and iron phosphate pretreatment for protection and paint adhesion. 400°F bake for maximum hardness and durability.


**7500**
**ANCHORAGE DATA**

**OPTIONS**

<https://www.usaltg.com/downloads/pdf/Pole-Arm-Accessories.pdf>

2024057

**SAMPLE ASSEMBLIES**


- A. 75-1050-XX-PT27/OPTIONS
- B. 75-1046T-XX-PT27/OPTIONS
- C. 75-9040-XX-PT27/OPTIONS
- D. 75-1080-XX-PT27/OPTIONS
- E. 75-7040-XX-PT27/OPTIONS
- F. 75-1030C-XX-PT27/OPTIONS
- G. 75-1050C-XX-PT27/OPTIONS
- H. 75-1058C-XX-PT27/OPTIONS
- I. 75-1080C-XX-PT27/OPTIONS

Note: XX represents height, example 10 foot and 6 inches will be written as 10'-6": 75-1040-10'-6"-PT27/OPTIONS.

Sample Assemblies show a small offering of the Sun Valley Line of Poles & Shafts.

Please visit [usaltg.com](http://usaltg.com) for the full product offering.

## TRADITIONAL STYLED BASE

# 8500 Series

**Base**

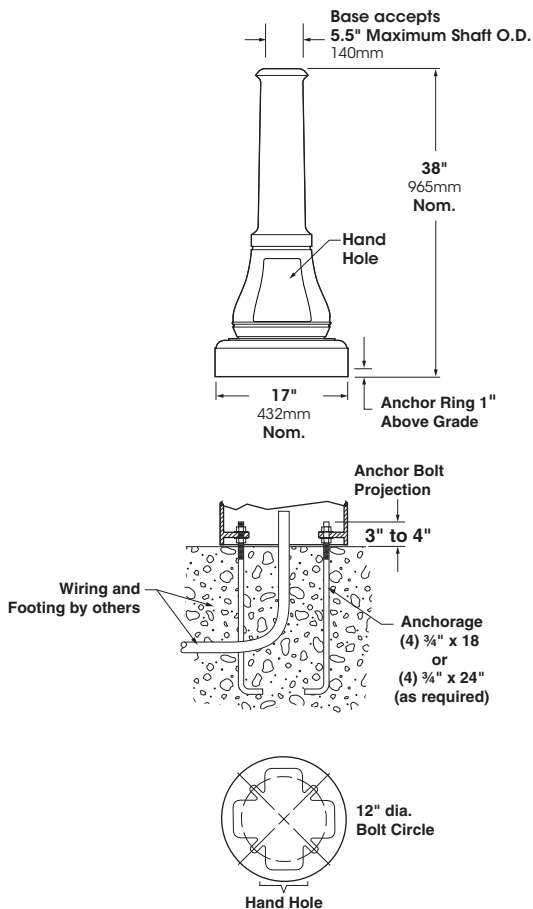
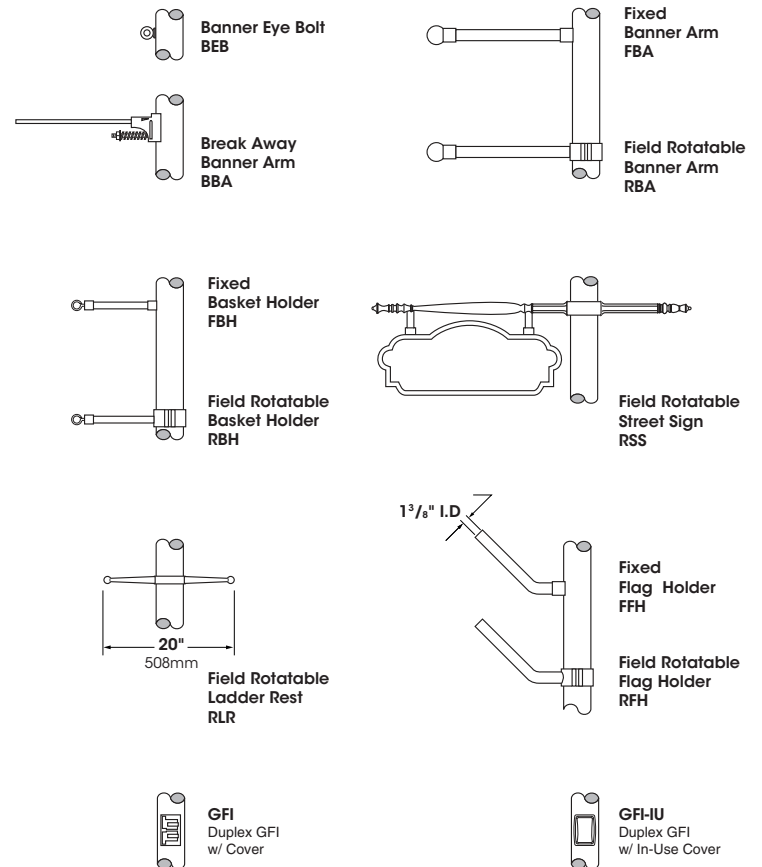
One piece corrosion resistant, durable cast aluminum construction. Minimum .225 wall thickness. Base consists of a smooth, stepped bottom section, and a smooth top section. Base is furnished with a Hand Hole Cover contoured to Base design. Hand Hole Cover supplied with tamper resistant hardware. Grounding Lug provided inside Base opposite Hand Hole.

**Anchorage**

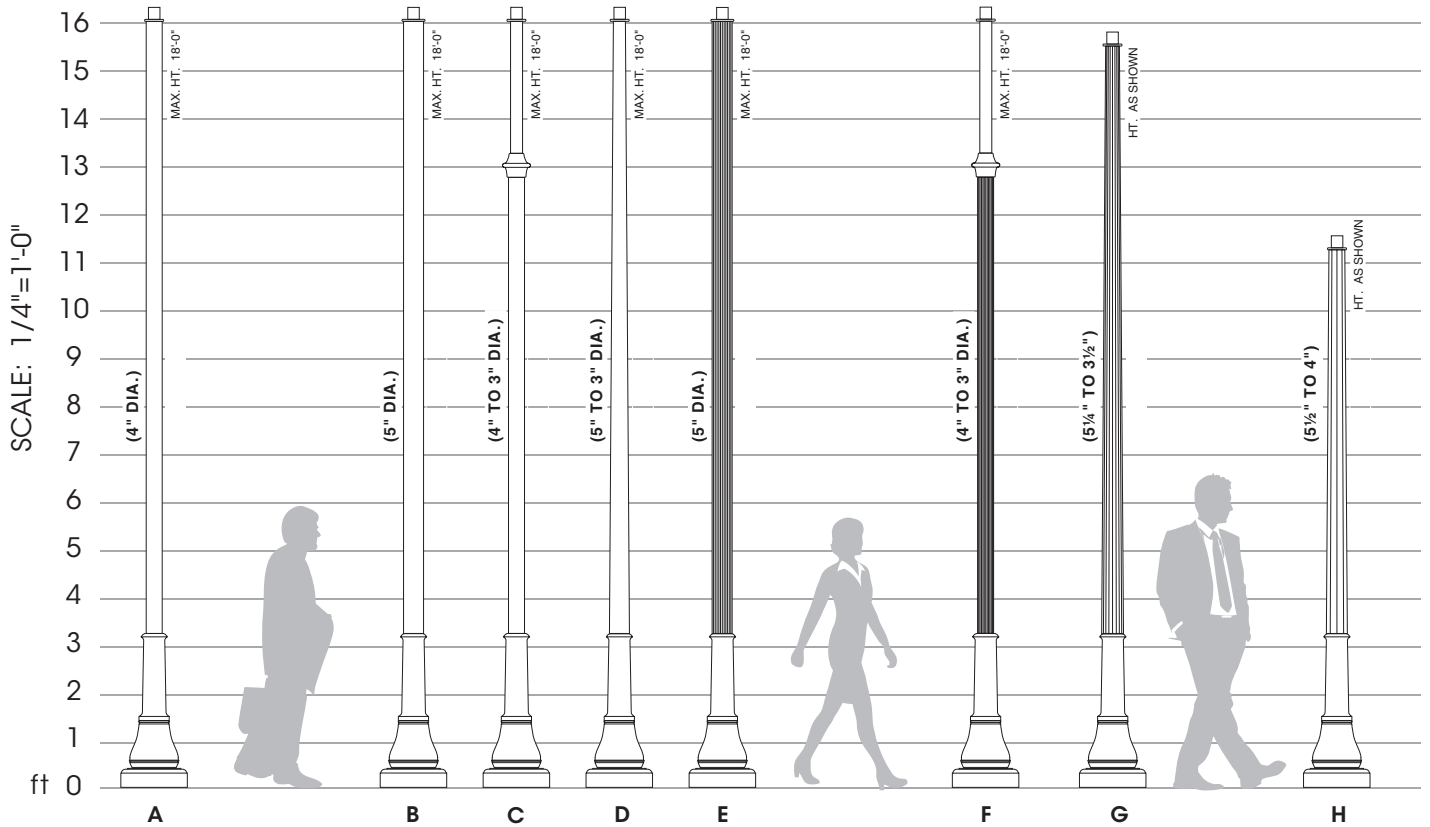
A 3/4" cast aluminum anchor ring is welded 1" above bottom of base to accept (4) fully galvanized anchor bolts. Each bolt supplied with two nuts and two washers. Anchorage is fastened through hand hole.

**Finish**

Electrostatically applied TGIC Polyester Powder Coat on substrate prepared with 20 PSI power wash at 140°F. Four step media blast and iron phosphate pretreatment for protection and paint adhesion. 400°F bake for maximum hardness and durability.


**8500**
**ANCHORAGE DATA**

**OPTIONS**

<https://www.usaltg.com/downloads/pdf/Pole-Arm-Accessories.pdf>

2024057

**SAMPLE ASSEMBLIES**


- A. 85-1040-XX-PT27/OPTIONS
- B. 85-1050-XX-PT27/OPTIONS
- C. 85-4030-XX-PT27/OPTIONS
- D. 85-1035T-XX-PT27/OPTIONS
- E. 85-1070-XX-PT27/OPTIONS
- F. 85-6030-XX-PT27/OPTIONS
- G. 85-1030C-XX-PT27/OPTIONS
- H. 85-1058C-XX-PT27/OPTIONS

Note: XX represents height, example 10 foot and 6 inches will be written as 10'-6": 85-1040-10'-6"-PT27/OPTIONS.

Sample Assemblies show a small offering of the Sun Valley Line of Poles & Shafts.

Please visit [usaltg.com](http://usaltg.com) for the full product offering.