

## TRADITIONAL STYLED BASE

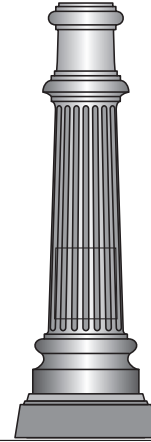
# 5400 Split Base Series

**Base**

Two piece wraparound, corrosion resistant, durable cast aluminum construction. Base, which is used with aluminum Poles only, consists of a smooth, stepped bottom section with a decorative tapered fluted section consisting of evenly spaced, highly detailed raised vertical flutes. Hand Hole Cover supplied with tamper resistant hardware. (4) 1/4"-20 Set Screws provided to secure decorative Base to Shaft.

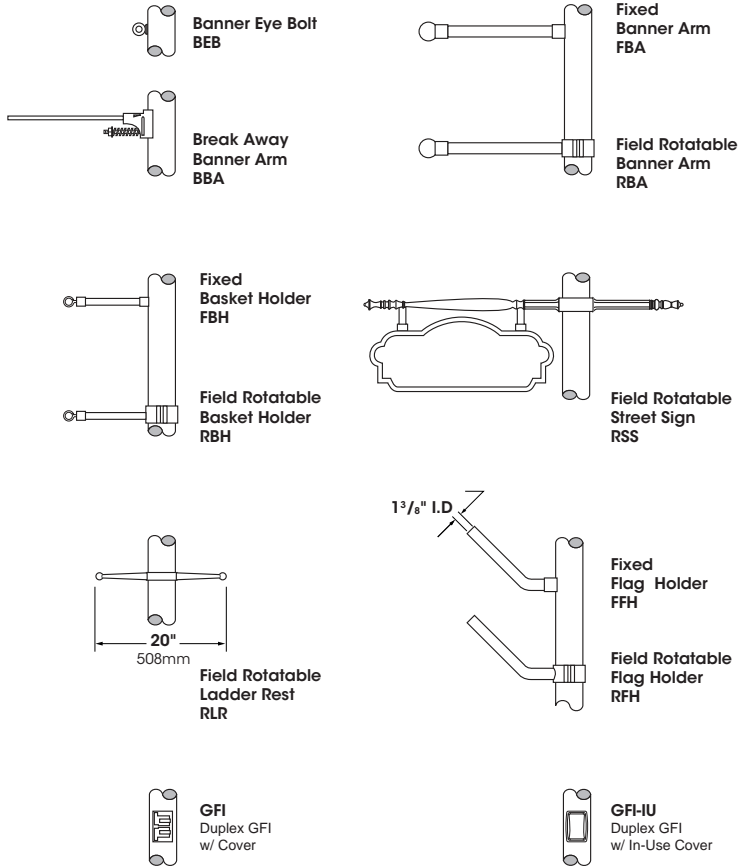
**Finish**

Super TGIC polyester powder coating is applied onto a metal substrate this has been pretreated with a four-stage process for maximum adhesion and color retention. The top coat is baked at 400° F for maximum hardness and exterior durability.


**5400SB**
**ORDERING INFORMATION**

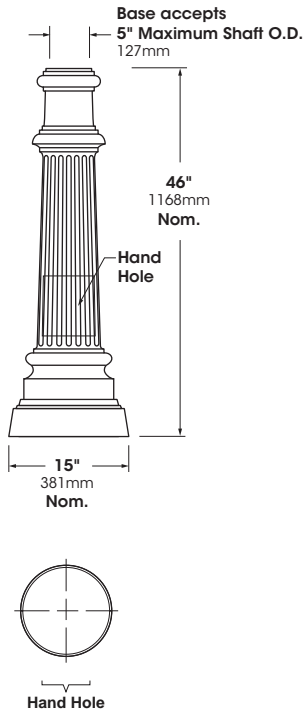
Spec/Order Example: 5400SB/RAL-9003-T/RBH

Base	Finish	Options
<input type="checkbox"/> <b>5400SB</b>	<b>Standard Textured Finish</b> <input type="checkbox"/> Black <b>RAL-9005-T</b> <input type="checkbox"/> White <b>RAL-9003-T</b> <input type="checkbox"/> Grey <b>RAL-7004-T</b> <input type="checkbox"/> Dark Bronze <b>RAL-8019-T</b> <input type="checkbox"/> Green <b>RAL-6005-T</b>  <b>Premium Finishes</b> <input type="checkbox"/> Rust <input type="checkbox"/> Patina Copper <b>PC</b>	<input type="checkbox"/> Banner Eye Bolt <b>BEB</b> <sup>1</sup> <input type="checkbox"/> Break Away Banner Arm <b>BBA</b> <input type="checkbox"/> Fixed Banner Arm <b>FBA</b> <sup>1</sup> <input type="checkbox"/> Field Rotatable Banner Arm <b>RBA</b> <input type="checkbox"/> Fixed Basket Holder <b>FBH</b> <sup>1</sup> <input type="checkbox"/> Field Rotatable Basket Holder <b>RBH</b> <input type="checkbox"/> Field Rotatable Street Sign <b>RSS</b> <input type="checkbox"/> Field Rotatable Ladder Rest <b>RLR</b> <input type="checkbox"/> Fixed Flag Holder <b>FFH</b> <sup>1</sup> <input type="checkbox"/> Field Rotatable Flag Holder <b>RFH</b> <input type="checkbox"/> Duplex GFI w/ Cover <b>GFI</b> <sup>1</sup> <input type="checkbox"/> Duplex GFI w/ In-Use Cover <b>GFHU</b> <sup>1</sup>
	For smooth finish replace suffix "T" with suffix "S" (Example: RAL-9500-S)  Consult factory for custom colors	1- available only with the purchase of a new pole assembly from our factories.  *Field* options must specify the diameter of the pole (4" to 6" Dia. max.)

**OPTIONS**

<https://www.usaltg.com/downloads/pdf/Pole-Arm-Accessories.pdf>

2024180

## DIMENSIONS

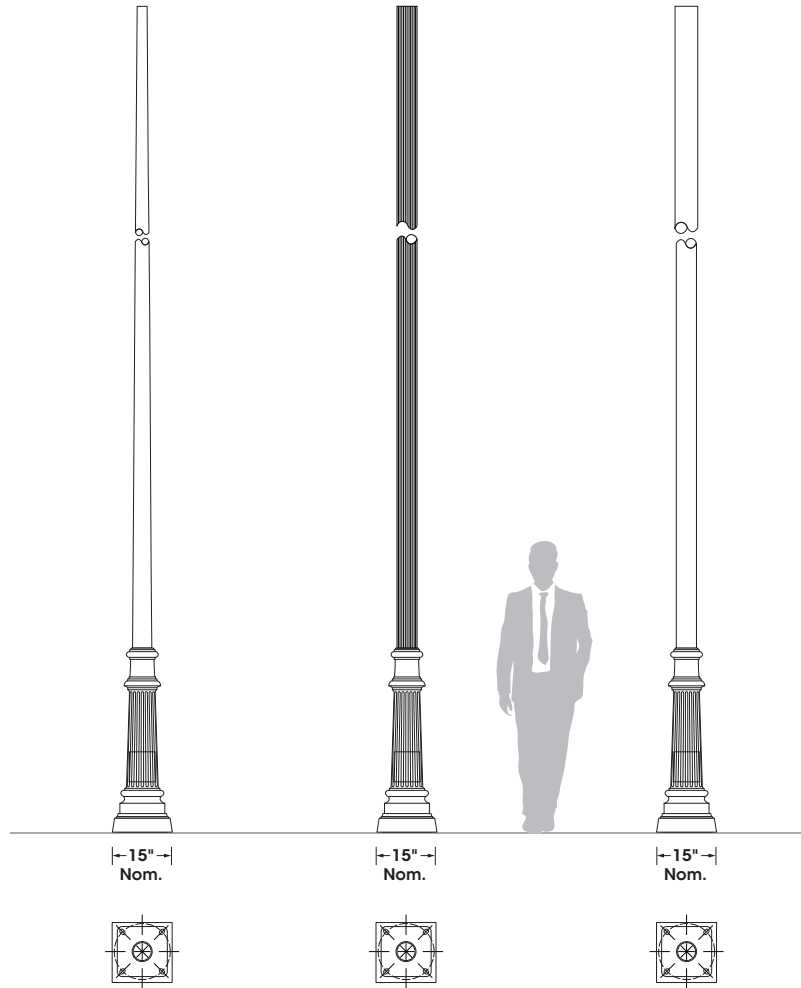


**Notes:**

Base to be used with aluminum Poles only.

Anchor Plate for Pole Assembly used with this decorative 2-pc Base must fit inside a 14" dia.

## SAMPLE ASSEMBLIES



SCALE: 1/4"=1'-0"

Sample Assemblies show small offering of Sun Valley's line of Poles & Shafts. Please visit [usaltg.com](http://usaltg.com) for full product catalog.