

## SOLID AREA LIGHTING

# B100 SERIES - LED

### Housing and Riser

Durable, corrosion resistant cast aluminum (A356 alloy; < 0.2% Cu) base, riser and top cap, minimum .250" wall thickness. All visible welds are blended, all exposed hardware is stainless steel.

### LED Power Array™

Three-dimensional array consisting of 6 individual LED tubes fastened to a retaining plate equally spaced to provide 360° of even illumination output. Each LED tube consists of a circuit board populated with a multiple of LED's which is fastened to a radial aluminum heat sink. A white Acrylic Lens and end caps protect each LED tube's internal components and provides diffusion to prevent shadowing and striations.

### Internal Louver (IL)

A specular louver stack conceals the LED Power Array (with opal diffuse lens) module and provides uplight and glare control through the external clear injection molded Acrylic Lens.

### Opal Lens (WA)

Injection molded Opal Acrylic Lens protects the LED Power Array Module (with opal diffuse lenses) and provides uniform illumination.

### LED Driver

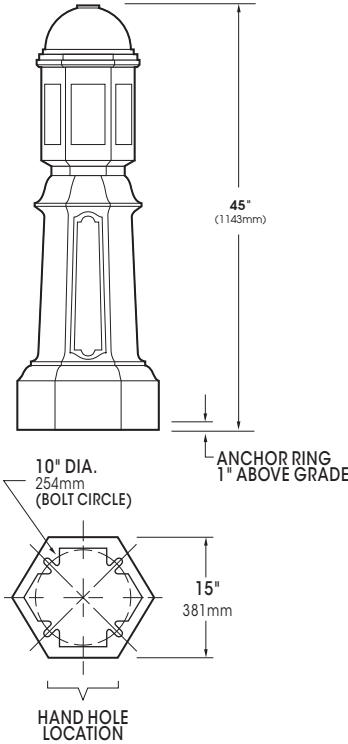
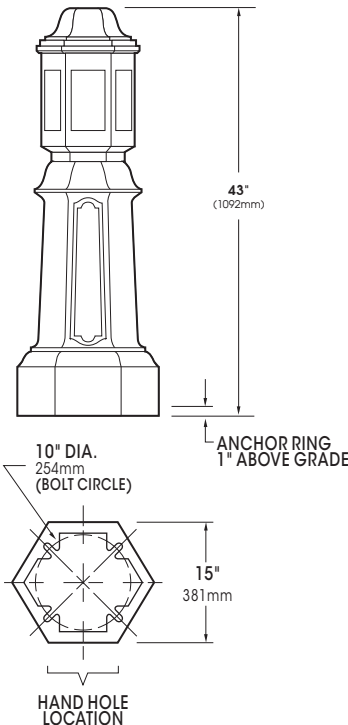
UL and cUL recognized High Power Factor, Constant Current LED drivers operate on input voltages from 120-277VAC, 50/60hz and is mechanically fastened to a retaining bracket. 347V and 480V options may utilize a step down transformer to the LED driver. Main power quick disconnect provided. Driver has a minimum 4KV of internal surge protection. Consult factory for other voltages. Dimming and High-Low Driver options available. 10KV & 20KV Surge Protector optional.

### Finish

Electrostatically applied TGIC Polyester Powder Coat on substrate prepared with 20 PSI power wash at 140°F. Four step media blast and iron phosphate pretreatment for protection and paint adhesion. 400°F bake for maximum hardness and durability.

PROJECT NAME: \_\_\_\_\_

PROJECT TYPE: \_\_\_\_\_


**B1CL-CAP**

**B1CL-HCAP**

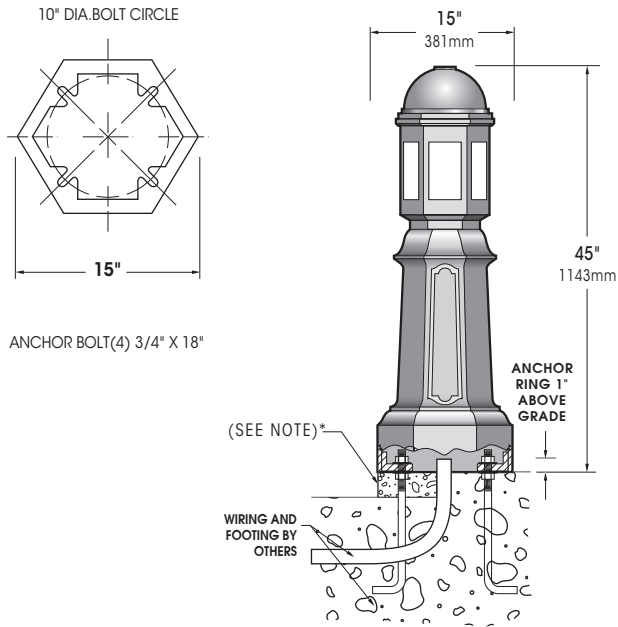

BABA compliant


 U.L. Listed for  
Wet Location

2023320

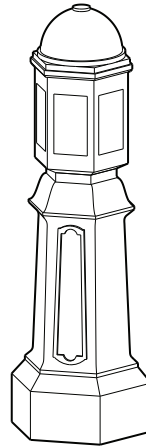
## SPECIFICATIONS

### INSTALLATION



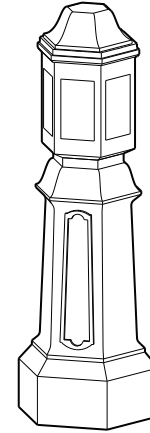
\*When mounting in soil, anchor bolt fasteners and other hardware must be protected from soil by grouting.

### OPTICS



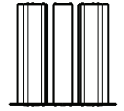
#### B1CL-CAP-LED

**VERTICAL POWER ARRAY™**  
Available in:  
36 LED, 24 LED & 12 LED



#### B1CL-HCAP-LED

**VERTICAL POWER ARRAY™**  
Available in:  
36 LED, 24 LED & 12 LED



VPA - Vertical Array

### LIGHTED VERSION ORDERING INFORMATION

Lighted Spec/Order Example: B1CL-CAP-IL/24LEDWW208/RAL-8019-S/MBD

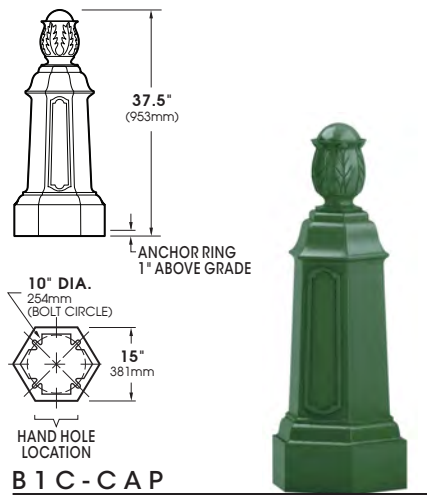
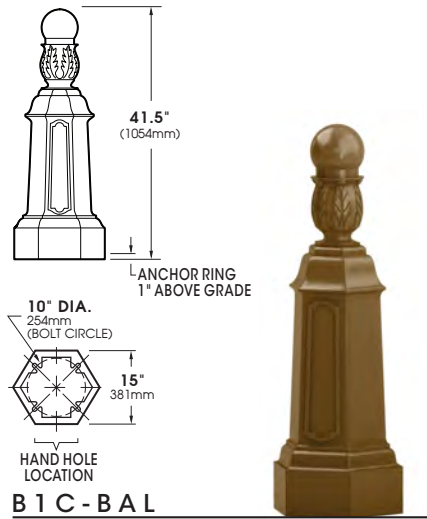
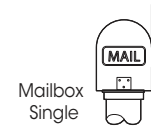
Model	Optics	# of LEDs	Color Temp - CCT	Voltage	Finish	Options
<b>Model</b>	<b>Optics</b>	<b>LED</b>			<b>Finish</b>	<b>Options</b>
Lighted	Vertical Power Array	# of LEDs	Color Temp - CCT	Voltage	Standard Textured Finish	
<input type="checkbox"/> B1CL-CAP-CP <input type="checkbox"/> B1CL-CAP-WA <input type="checkbox"/> B1CL-CAP-CPA <input type="checkbox"/> B1CL-HCAP-CP <input type="checkbox"/> B1CL-HCAP-WA <input type="checkbox"/> B1CL-HCAP-CPA	<input type="checkbox"/> Internal Louver IL <sup>1</sup> <input type="checkbox"/> Vertical Array VPA-SYM <sup>2</sup>	<input type="checkbox"/> 36LED <input type="checkbox"/> 24LED <input type="checkbox"/> 12LED	<input type="checkbox"/> NW (4000K) Standard <input type="checkbox"/> CW (5000K) <input type="checkbox"/> WW (3000K)	<input type="checkbox"/> UNV (120-277) <input type="checkbox"/> 347 <input type="checkbox"/> 480	<input type="checkbox"/> Black RAL-9005-T <input type="checkbox"/> White RAL-9003-T <input type="checkbox"/> Grey RAL-7004-T <input type="checkbox"/> Dark Bronze RAL-8019-T <input type="checkbox"/> Green RAL-6005-T  <b>Premium Finishes</b> <input type="checkbox"/> Rust <input type="checkbox"/> Patina Copper PC	Internal House Side Shield <input type="checkbox"/> 90° <b>HS90</b> <input type="checkbox"/> 135° <b>HS135</b> <input type="checkbox"/> 180° <b>HS180</b>  <input type="checkbox"/> Dimmable driver(s) (0-10V) <b>DIM</b>  <input type="checkbox"/> High-Low Dimming for Hardwired Switching or Non-Integrated Motion Sensor <b>HLSW</b>  <input type="checkbox"/> 10KV Surge Protector <b>10SP</b> <input type="checkbox"/> 20KV Surge Protector (240V & 480V only) <b>20SP</b> <input type="checkbox"/> Duplex Receptacle <b>DUP</b>  <input type="checkbox"/> Ground Fault Receptacle <b>GFI</b>  <input type="checkbox"/> Mailbox - Single <b>MBS</b> <input type="checkbox"/> Mailbox - Double <b>MBD</b>  <input type="checkbox"/> Bollard Eye Bolt <b>BEB</b>
<p><b>NOTES:</b>                      1 - Used with -CP and -CPA Lenses only                      2 - Used with -WA Lens only</p> <p>Consult Factory for Other LED Color, CCT, &amp; CRI Options</p> <p>For smooth finish replace suffix 'T' with suffix 'S' (Example: RAL-9500-S)</p> <p>Consult factor for custom colors</p>						

**UNLIT VERSION**
**Housing and Riser**

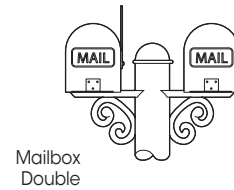
Durable, corrosion resistant cast aluminum (A356 alloy; < 0.2% Cu) base, riser and top cap, minimum .250" wall thickness. All visible welds are blended, all exposed hardware is stainless steel.

**Finish**

Electrostatically applied TGIC Polyester Powder Coat on substrate prepared with 20 PSI power wash at 140°F. Four step media blast and iron phosphate pretreatment for protection and paint adhesion. 400°F bake for maximum hardness and durability.


**ACCESSORIES**


Mailboxes may be mounted post top or side mount.



Mailboxes are of durable, corrosion resistant, cast aluminum (A356 alloy; < .02% copper) and painted to match the decorative bollard.

Mailboxes include nonlocking pull latch and cast flag.



Specify Duplex or GFCI receptacle to mount in the outlet provision. Standard cover supplied.



Eyebolts for barrier chain or cord. Specify eyebolt(s) height and location.

**UNLIT VERSION ORDERING INFORMATION**

Unlit Spec/Order Example: B1C-CAP/RAL-9005-S

Model	Finish	Accessories
<b>Model</b>	<b>Finish</b>	<b>Accessories</b>
Unlit	Standard Textured Finish	
<input type="checkbox"/> B1C-BAL <input type="checkbox"/> B1C-CAP  <small>To configure, show Model, Finish and pertinent Accessories</small>	<input type="checkbox"/> Black <b>RAL-9005-T</b> <input type="checkbox"/> White <b>RAL-9003-T</b> <input type="checkbox"/> Grey <b>RAL-7004-T</b> <input type="checkbox"/> Dark Bronze <b>RAL-8019-T</b> <input type="checkbox"/> Green <b>RAL-6005-T</b>  Premium Finishes <input type="checkbox"/> Rust <input type="checkbox"/> Patina Copper <b>PC</b>  <small>For smooth finish replace suffix "T" with suffix "S"            (Example: RAL-9500-S)</small>  <small>Consult factor for custom colors</small>	<input type="checkbox"/> Mailbox - Single <b>MBS</b> <input type="checkbox"/> Mailbox - Double <b>MBD</b> <input type="checkbox"/> Duplex Receptacle <b>DUP</b> <input type="checkbox"/> Ground Fault Receptacle <b>GFI</b> <input type="checkbox"/> Single Banner Eye Bolt <b>BEB</b> <input type="checkbox"/> Double Banner Eye Bolt <b>BEB/2-180</b>