

SOLID AREA LIGHTING

B2300 SERIES - LED

Housing and Riser

Durable, corrosion resistant cast aluminum (A356 alloy; < 0.2% Cu) base, riser and top cap, minimum .250" wall thickness. All visible welds are blended, all exposed hardware is stainless steel.

LED Power Array™

Three-dimensional array consisting of 6 individual LED tubes fastened to a retaining plate equally spaced to provide 360° of even illumination output. Each LED tube consists of a circuit board populated with a multiple of LED's which is fastened to a radial aluminum heat sink. A white acrylic lens and end caps protect each LED tube's internal components and provides diffusion to prevent shadowing and striations.

Radial LED Module

LED'S are mounted to a circular heatsink in a radial array. The radial LED module is concealed in the cap of the bollard. LED's are not directly visible from angles above 90°.

Internal Louver (IL)

A specular louver stack conceals the LED Power Array (with opal diffuse lens) module and provides uplight and glare control through the external clear injection molded Acrylic Lens.

Opal Lens (WA)

Injection molded Opal Acrylic Lens protects the LED Power Array Module (with opal diffuse lenses) and provides uniform illumination.

Cast Louver (CL)

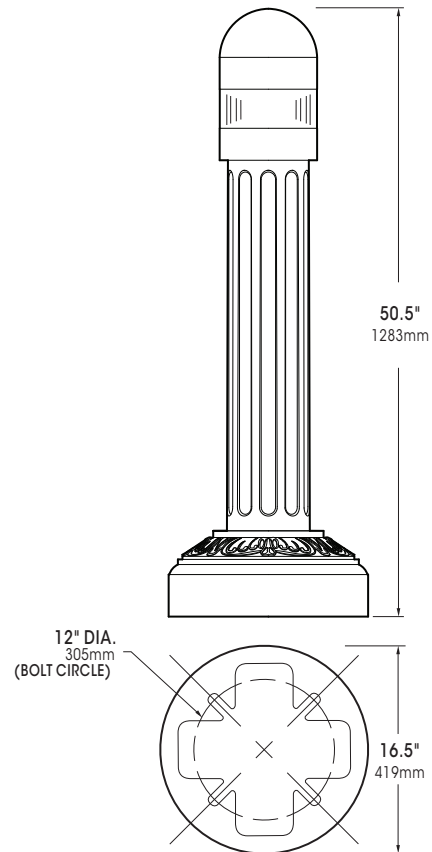
Cast aluminum (A356 alloy, <0.2%Cu) louver stack protects the LED Power Array Module (with opal diffuse lenses). Horizontal louvers create a 30° cut-off angle and provide 360° of downlight.

LED Driver

UL and cUL recognized High Power Factor, Constant Current LED drivers operate on input voltages from 120-277VAC, 50/60hz and is mechanically fastened to a retaining bracket. 347V and 480V options may utilize a step down transformer to the LED driver. Main power quick disconnect provided. Driver has a minimum 4KV of internal surge protection. Consult factory for other voltages. Dimming and High-Low Driver options available. 10KV & 20KV Surge Protector optional.

Finish

Electrostatically applied TGIC Polyester Powder Coat on substrate prepared with 20 PSI power wash at 140°F. Four step media blast and iron phosphate pretreatment for protection and paint adhesion. 400°F bake for maximum hardness and durability.


B23EL-CAP


BABA compliant

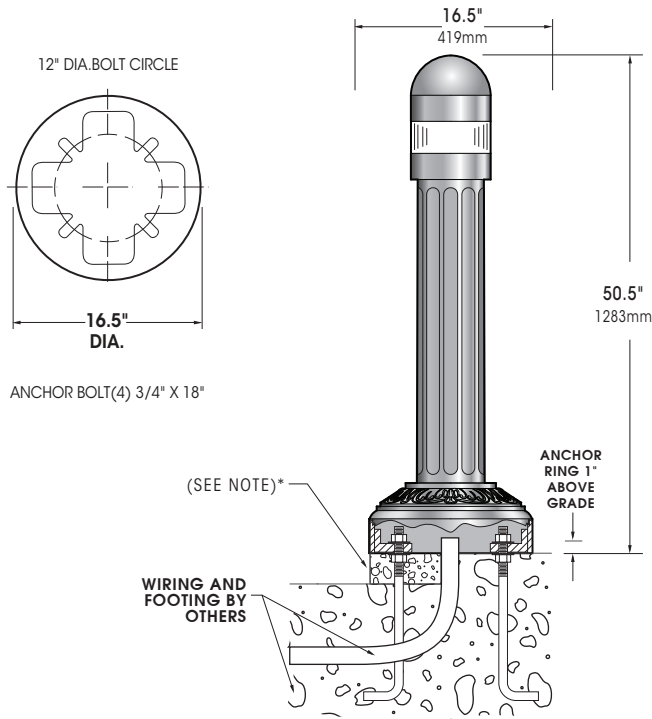


U.L. Listed for Wet Location

2023320

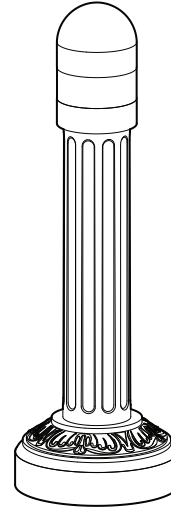
SPECIFICATIONS

INSTALLATION



*When mounting in soil, anchor bolt fasteners and other hardware must be protected from soil by grouting.

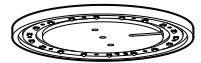
OPTICS



B23EL-CAP-LED



VPA - Vertical Array™
Available in:
36LED, 24LED and 12LED
(Used with -IL, -CL and WA optics)



Radial LED Module
Available in:
18LED Module only
(Used with -PR optics)

LIGHTED VERSION ORDERING INFORMATION

Lighted Spec/Order Example: B23EL-CAP-VPA-SYM/12LED208/RAL-9005-T

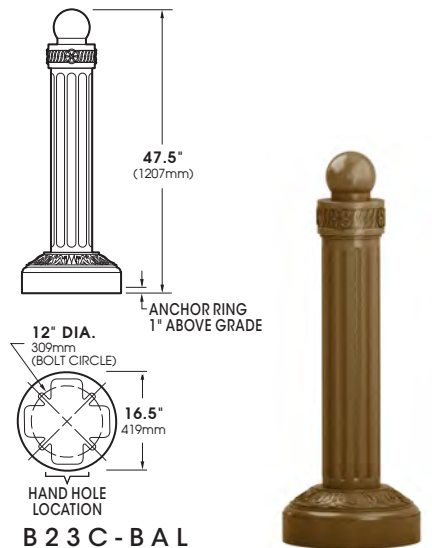
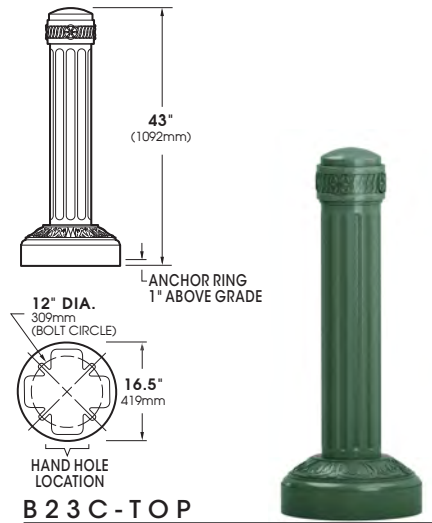
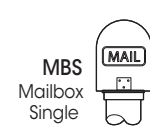
Model	Optics	# of LEDs	Color Temp - CCT	Voltage	Finish	Options
Model	Optics	LED		Finish	Options	
Lighted	Vertical Power Array	# of LEDs	Color Temp - CCT	Voltage	Standard Textured Finish	
<input type="checkbox"/> B23EL-CAP	<input type="checkbox"/> Internal Louver IL <input type="checkbox"/> Cast Louver CL <input type="checkbox"/> Opal Acrylic WA	<input type="checkbox"/> 36LED <input type="checkbox"/> 24LED <input type="checkbox"/> 12LED	<input type="checkbox"/> NW (4000K) Standard <input type="checkbox"/> CW (5000K) <input type="checkbox"/> WW (3000K) Consult Factory for Other LED Color, CCT, & CRI Options	<input type="checkbox"/> UNV (120-277) <input type="checkbox"/> 347 <input type="checkbox"/> 480	<input type="checkbox"/> Black RAL-9005-T <input type="checkbox"/> White RAL-9003-T <input type="checkbox"/> Grey RAL-7004-T <input type="checkbox"/> Dark Bronze RAL-8019-T <input type="checkbox"/> Green RAL-6005-T Premium Finishes <input type="checkbox"/> Rust <input type="checkbox"/> Patina Copper PC For smooth finish replace suffix "T" with suffix "S" (Example: RAL-9500-S) Consult factor for custom colors	Internal House Side Shield <input type="checkbox"/> 90° HS90 <input type="checkbox"/> 135° HS135 <input type="checkbox"/> 180° HS180 <input type="checkbox"/> Dimmable driver(s) (0-10V) DIM <input type="checkbox"/> High-low Dimming for Hardwired Switching or Non-Integrated Motion Sensor HLSW <input type="checkbox"/> 10KV Surge Protector 10SP <input type="checkbox"/> 20KV Surge Protector (240V & 480V only) 20SP <input type="checkbox"/> Duplex Receptacle DUP <input type="checkbox"/> Ground Fault Receptacle GFI <input type="checkbox"/> Mailbox - Single MBS <input type="checkbox"/> Mailbox - Double MBD <input type="checkbox"/> Bollard Eye Bolt BEB
	Radial LED Array	<input type="checkbox"/> 18LED				
	<input type="checkbox"/> Parabolic Reflector PR					

UNLIT VERSION
Housing and Riser

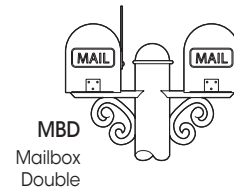
Durable, corrosion resistant cast aluminum (A356 alloy; < 0.2% Cu) base, riser and top cap, minimum .250" wall thickness. All visible welds are blended, all exposed hardware is stainless steel.

Finish

Electrostatically applied TGIC Polyester Powder Coat on substrate prepared with 20 PSI power wash at 140°F. Four step media blast and iron phosphate pretreatment for protection and paint adhesion. 400°F bake for maximum hardness and durability.

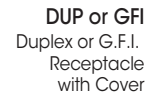

ACCESSORIES


Mailboxes may be mounted post top or side mount.

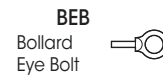


Mailboxes are of durable, corrosion resistant, cast aluminum (A356 alloy; < 0.2% copper) and painted to match the decorative bollard.

Mailboxes include nonlocking pull latch and cast flag.



Specify Duplex or GFCI receptacle to mount in the outlet provision. Standard cover supplied.



Eyebolts for barrier chain or cord. Specify eyebolt(s) height and location.

UNLIT VERSION ORDERING INFORMATION

Unlit Spec/Order Example: B23C-TOP/RAL-6005-T

Model	Finish	Accessories
Model Unlit <input type="checkbox"/> B23C-TOP <input type="checkbox"/> B23C-BAL <small>To configure, show Model, Finish and pertinent Accessories</small>	Finish Standard Textured Finish <input type="checkbox"/> Black RAL-9005-T <input type="checkbox"/> White RAL-9003-T <input type="checkbox"/> Grey RAL-7004-T <input type="checkbox"/> Dark Bronze RAL-8019-T <input type="checkbox"/> Green RAL-6005-T Premium Finishes <input type="checkbox"/> Rust <input type="checkbox"/> Patina Copper PC <small>For smooth finish replace suffix "T" with suffix "S" (Example: RAL-9500-S)</small> <small>Consult factor for custom colors</small>	Accessories <input type="checkbox"/> Mailbox - Single MBS <input type="checkbox"/> Mailbox - Double MBD <input type="checkbox"/> Duplex Receptacle DUP <input type="checkbox"/> Ground Fault Receptacle GFI <input type="checkbox"/> Single Banner Eye Bolt BEB <input type="checkbox"/> Double Banner Eye Bolt BEB/2-180