

○ ROUND TAPERED ALUMINUM POLE

RTA

Shaft

Spun tapered from 6063 alloy aluminum tubing. Heat treated to produce a T6 temper. Shaft is furnished with ground lugs located on cast aluminum base plate.

Drilling Side Mount

A removable pole cap is included. Pole will be drilled to match U.S. Architectural fixtures. For other Drilling required, please specify DP after specified drill pattern. (example: 2-180DP)

Pole Top Mount

Standard pole top mount - PT27, fabricated from 2.5" (2.875" O.D.) aluminum pipe - tenon options available for pole tops please see Mounting column. For other pole top configurations please consult factory.

Hand Hole Cover

Rectangular 3" x 5" stamped heavy gauge aluminum material Hand Hole Cover, 2¼" x 4¼" access opening. Sealed door is secured by a formed aluminum bar and a stainless steel, tamper proof screw.

Base Plate

Cast aluminum constructed of A-356 aluminum alloy heat treated to produce a T6 temper. Structurally engineered base includes eight heavy wall reinforcing vertical gussets. Base telescopes and is circumferentially welded to shaft at both the outside top and inside bottom of the base.

Anchorage

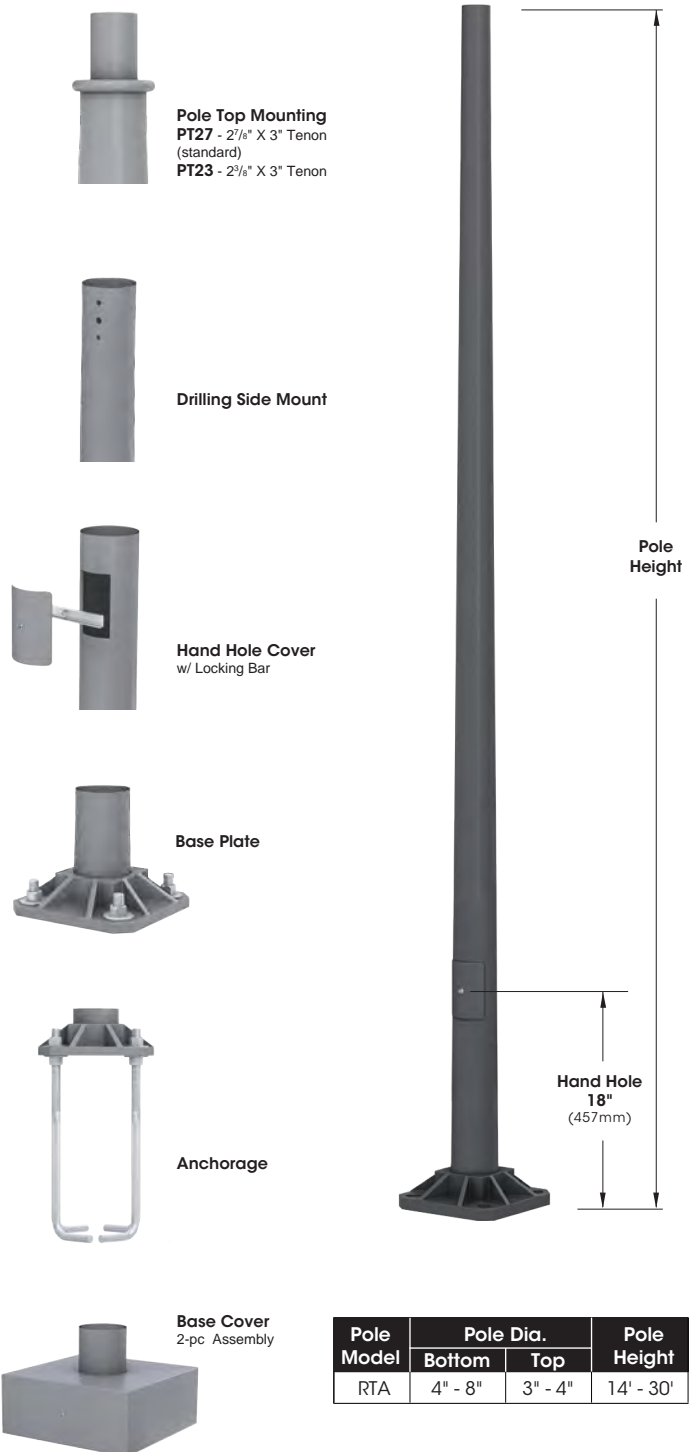
(4) anchor bolts fabricated from hot rolled steel bar. Minimum yield strength of 50,000 P.S.I. Bolts have "L" bend on one end and are threaded on the other. Bolts are fully galvanized and are furnished with two nuts and two washers.

Base Cover

Fabricated from heavy wall aluminum construction. Two piece cover conceals base.

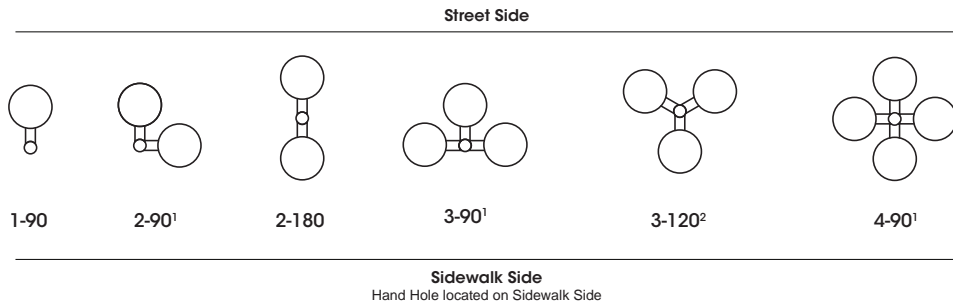
Finish

Electrostatically applied TGIC Polyester Powder Coat on substrate prepared with 20 PSI power wash at 140°F. Four step media blast and iron phosphate pretreatment for protection and paint adhesion. 400°F bake for maximum hardness and durability.



Pole Model	Pole Dia.		Pole Height
	Bottom	Top	
RTA	4" - 8"	3" - 4"	14' - 30'

DRILLING SIDE MOUNT



Notes

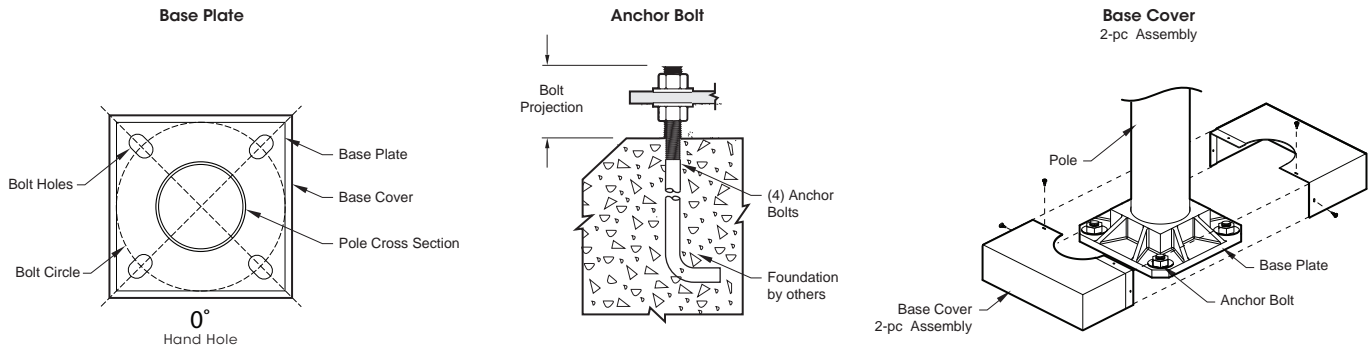
1- Poles smaller than 5" Dia. at top, or Non Linear Drilling requires PT27 and T490 Adaptor. (Adaptor is rotatable)

2- Poles smaller than 5" Dia. at top, or Non Linear Drilling requires PT27 and T3120 Adaptor. (Adaptor is rotatable)

When drilling pattern from other manufacturer's fixture is required, add "DP" to drill specifications. (Example: 2-180DP) **Drilling template must be provided.**

In the case of other manufacturer's drilling pattern, customer must provide drilling pattern.

BOLT CIRCLE



Catalog Number	POLE								ANCHOR BOLTS				ANCHOR PLATE		
	Height		Bottom - Top				Wall Thickness (In/Ga)	Weight (Lbs)	Bolt Size	Bolt Projection above grade ^{2,3}	Bolt Circle Dia Range ¹	Bolt Circle Dia (In) (Rec.) ⁴	Template	Base Plate	Cover
	Ft	M	In	Cm	In	Cm									
RTA 1443-125	14	4.27	4.00	3.00	10.16	7.62	0.125	31	3/4" x 18" x 3"	3 1/4" - 3 3/4"	9 1/2" - 10 1/2"	10"	US10	3/4" x 10" x 10"	5" x 12" x 12"
RTA 1643-125	16	4.88	4.00	3.00	10.16	7.62	0.125	34	3/4" x 18" x 3"	3 1/4" - 3 3/4"	9 1/2" - 10 1/2"	10"	US10	3/4" x 10" x 10"	5" x 12" x 12"
RTA 1853-188	18	5.49	5.00	3.00	12.70	7.62	0.188	56	1" x 36" x 4"	4" - 4 1/2"	11" - 12"	12"	US12	1" x 11" x 11"	5" x 12" x 12"
RTA 2064-188	20	6.10	6.00	4.00	15.24	10.16	0.188	81	1" x 36" x 4"	4" - 4 1/2"	12" - 13"	13"	US13	1" x 12" x 12"	5" x 14" x 14"
RTA 2574-188	25	7.62	7.00	4.00	17.78	10.16	0.188	106	1" x 36" x 4"	4" - 4 1/2"	11"-13"	13"	US13	1" x 13" x 13"	5" x 14" x 14"
RTA 3084-188	30	9.15	8.00	4.00	20.32	10.16	0.188	136	1" x 36" x 4"	4" - 4 1/2"	11 1/2"-13 1/2"	13"	US13	1" x 13" x 13"	5" x 14" x 14"

1 - Not using correct bolt size or "(REC.) Recommended" Bolt Circle could result in Pole's failure.

2 - Bolt Projection is calculated for slopes with 3 degrees or less.

3 - For slopes greater than 3 degrees, please add Bolt Length Projection as necessary.

4 - With 5" poles, max allowable bolt for 11" circle is 3/4".

ORDERING INFORMATION

Spec/Order Example: RTA2064-188/1-90/RAL-6005-T

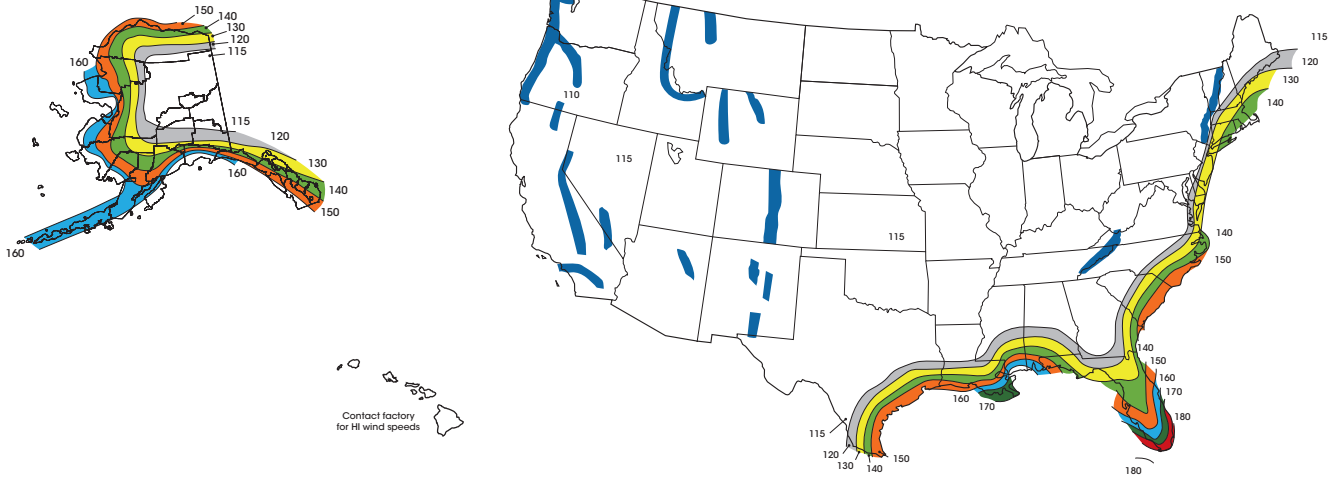
Pole Model Number					Mounting	Finish	Options
Pole Model Number					Mounting	Finish	Options
Pole Height	Pole Bottom	Pole Top	Wall Thickness				
<input type="checkbox"/> RTA 1443-125	14'	4.00"	3.00"	0.125	Tenon Mount <input type="checkbox"/> 27/8" X 3" Tenon PT27 (Standard) <input type="checkbox"/> 23/8" X 3" Tenon PT23 <input type="checkbox"/> 27/8" X 6" Tenon PT276 <input type="checkbox"/> Other Tenon Mt _____ Drill Mount <input type="checkbox"/> 1-90 <input type="checkbox"/> 2-180 <input type="checkbox"/> 2-90 <input type="checkbox"/> 3-90 <input type="checkbox"/> 4-90 <input type="checkbox"/> 3-120 3-120 requires PT27 and T3120 Adapter 2-90, 3-90, 4-90 requires PT27 and T490 Adapter When Drilling Pattern from other manufacturer is required, add "DP" to drill specifications (Example: 2-180DP) Drilling template must be provided.	Standard Smooth Finish <input type="checkbox"/> Black RAL-9005-S <input type="checkbox"/> White RAL-9003-S <input type="checkbox"/> Grey RAL-7004-S <input type="checkbox"/> Dark Bronze RAL-8019-S <input type="checkbox"/> Green RAL-6005-S Premium Finishes <input type="checkbox"/> Rust <input type="checkbox"/> Patina Copper PC <input type="checkbox"/> Custom Specify RAL# _____ <input type="checkbox"/> Anodized AZ For Smooth Finish replace suffix "T" with suffix "T" Example: RAL-9005-S See USALTG.COM for additional colors	<input type="checkbox"/> Vibration Dampener 2nd Mode Field Install VBDS-M2 Receptacle <input type="checkbox"/> G.F.I. Receptacle w/ Cover GFI <input type="checkbox"/> G.F.I. Receptacle w/ In-Use Cover GFI-U [Specify GFI location: Height and Direction] See Location Diagram below <input type="checkbox"/> 3 Way Adapter T3120 <input type="checkbox"/> 4 Way Adapter T490 Coupling <input type="checkbox"/> 1/2" Coupling CPLN12 <input type="checkbox"/> 3/4" Coupling CPLN34 <input type="checkbox"/> 1 1/4" Coupling CPLN114 <input type="checkbox"/> 1 1/2" Coupling CPLN112 <input type="checkbox"/> 2" Coupling CPLN2 [Specify Coupling location: Height and Direction] See Location Diagram below Nipple <input type="checkbox"/> 1/2" Nipple NPLE12 <input type="checkbox"/> 3/4" Nipple NPLE34 <input type="checkbox"/> 1 1/4" Nipple NPLE114 <input type="checkbox"/> 1 1/2" Nipple NPLE112 <input type="checkbox"/> 2" Nipple NPLE2 [Specify Coupling location: Height and Direction] See Location Diagram below Location Diagram Please use this diagram to indicate placement location Refer to the Accessories Section for other options
<input type="checkbox"/> RTA 1643-125	16'	4.00"	3.00"	0.125			
<input type="checkbox"/> RTA 1853-188	18'	5.00"	3.00"	0.188			
<input type="checkbox"/> RTA 2064-188	20'	6.00"	4.00"	0.188			
<input type="checkbox"/> RTA 2574-188	25'	7.00"	4.00"	0.188			
<input type="checkbox"/> RTA 3084-188	30'	8.00"	4.00"	0.188			

Other heights available
Please consult factory

OPTIONS



WIND MAP

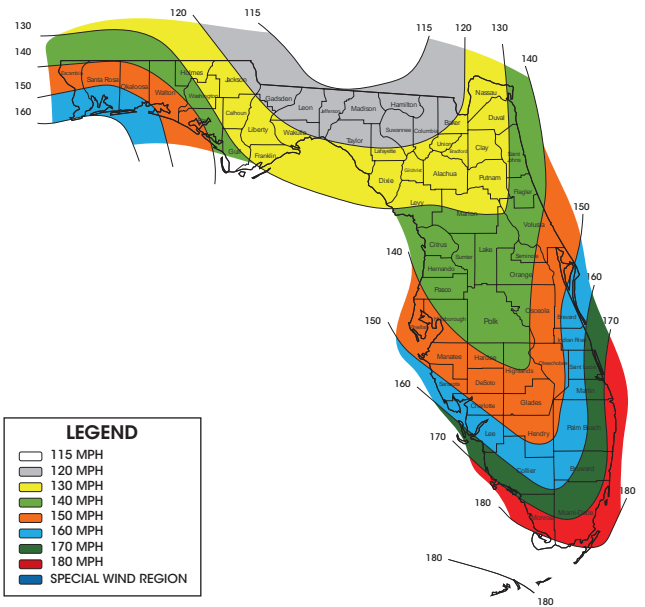


EPA INFORMATION (ft²) (per AASHTO LRFDLTS-1 revised 2022)

Cat. No.	Weight Capacity Maximum (Lbs.)	100 MPH	110 MPH	115 MPH	120 MPH	130 MPH	140 MPH	150 MPH	160 MPH	170 MPH	180 MPH
RTA 1443-125	214 - 60*	6.1	4.6	4.0	3.5	2.6	1.9	1.3	1.0	0.8	0.7
RTA 1643-125	143.5 - 60*	4.1	3.1	2.6	2.2	2.5	0.9	0.7	0.4	0.0	0.0
RTA 1853-188	283.5 - 98*	8.1	7.1	6.7	6.2	5.7	4.8	4.2	3.7	3.2	2.8
RTA 2064-188	300 - 136.5*	14.0	12.4	11.1	10.1	8.5	7.2	6.0	5.3	4.6	3.9
RTA 2574-188	300 - 70*	14.3	11.7	10.8	9.9	8.2	7.1	5.0	3.7	2.5	2.0
RTA 3084-188	300 - 60*	13.4	10.9	9.7	8.8	7.3	6.3	5.5	5.0	3.1	1.3

EPA INFORMATION (ft²) (per 2023 FL Building Code)

Cat. No.	Weight Capacity Maximum (Lbs.)	120 MPH	130 MPH	140 MPH	150 MPH	160 MPH	170 MPH	180 MPH
RTA 1443-125	115.5 - 60*	3.3	2.4	1.8	1.2	0.9	0.7	0.6
RTA 1643-125	73.5 - 60*	2.1	1.4	0.8	0.7	0.4	0.0	0.0
RTA 1853-188	206.5 - 87.5*	5.9	5.0	4.5	3.8	3.5	2.9	2.5
RTA 2064-188	300 - 119*	9.4	7.7	6.7	5.4	4.8	4.1	3.4
RTA 2574-188	300 - 63*	9.2	7.7	6.8	4.4	3.5	2.2	1.8
RTA 3084-188	273 - 60*	7.8	6.7	5.9	5.2	4.5	2.7	1.2



* Please use the following to obtain the proper weight capacity:

The maximum fixture weight equals 60 lbs., or the product of 35 lbs. x the EPA value (from the chart above), whichever is greater, not to exceed 300 lbs.
Example, EPA = 2.2, maximum fixture weight = 35 lbs. x 2.2 EPA = 77 lbs.

Notes

- Specifier is responsible for correct pole selection. For proper pole choice, the specifier must consider the total EPA of fixtures, banners, arms, and any other accessories attached to pole assembly.
- U.S. Outdoor Lighting discourages the attachment of unauthorized accessories; any such attachments will void the manufacturer's warranty.
- ALL EPAs are calculated for ground installations. For installations on bridges, buildings or other structures, the specifier must contact the factory or consult with a Structural Engineer.
- Unpredictable aerodynamic forces such as 2nd Mode (Aeolian) wind-induced vibrations are not included in wind velocity ratings or EPA ratings.
- Wind gust factors are considered in developing all EPA chart data.

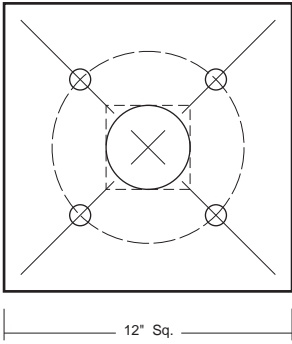
To mitigate 2nd Mode (Aeolian) Vibration please read the following Recommendations:

- We do not recommend the installation of poles without a fixture; such installations have been known to fail due to destructive 2nd mode pole vibration.
- Pole installations with a combined (fixtures, banners, flags, etc.) EPA of less than 2.0 ft² and 25 feet or taller are strongly recommended to be installed with a Vibration Dampener. Please consult with your Structural Engineer for site-specific requirements.
- U.S. Outdoor Lighting offers a 2nd Mode Vibration Dampener VBDS-M2 for purchase as a field-installable option.

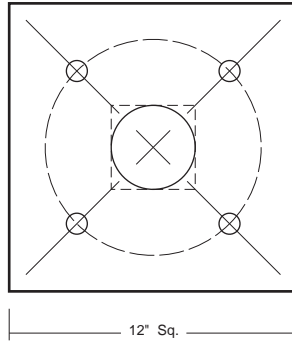
ANCHOR BOLT TEMPLATES

For printable versions of Templates: click on the Template's name, otherwise go to <https://usalgt.com/downloads/templates.html>.

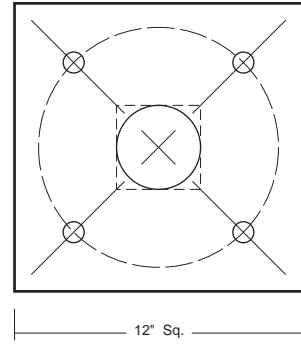
US8
8" Bolt Circle



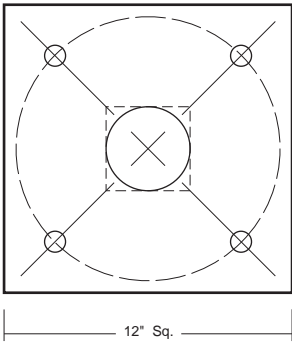
US9
9" Bolt Circle



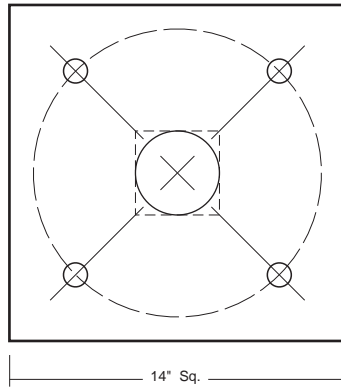
US10
10" Bolt Circle



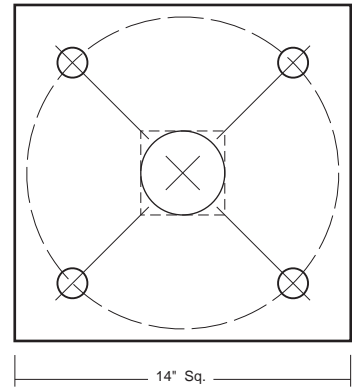
US11
11" Bolt Circle



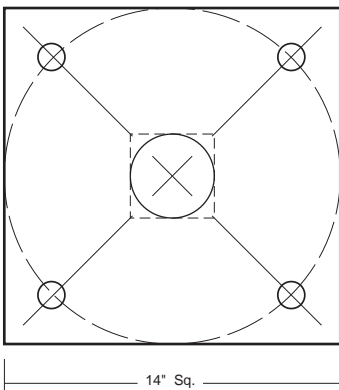
US12
12" Bolt Circle



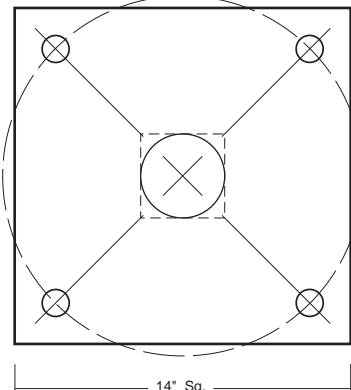
US13
13" Bolt Circle



US14
14" Bolt Circle



US15
15" Bolt Circle



US16
16" Bolt Circle

