

# Pacificica



U.S. ARCHITECTURAL  
LIGHTING







# Pacifica

High tides and good vibes.

Complementing today's architectural compositions while providing superior photometric performance, the Pacifica™ family of products is bound to make waves within the lighting industry. As beautiful and elegant as they are reliable, U.S. Architectural's latest offering of contemporary round form luminaires is as refreshing as a day at the beach.

The new Pacifica™ site and area luminaires consist of an arm mount, two post top configurations with struts and a coordinating bollard. With a full palette of scales and proportions from which to choose, the Pacifica™ family's flexibility and striking design makes it the more fitting choice for any application from parking areas, universities, streets, pedestrian walkways and other areas requiring lighting. This one cohesive modern family of luminaires can illuminate an entire site, simplifying your lighting choices and putting your mind at ease.

A work of art to marvel by day, an illuminating shield of protection by night. With sleek minimalist lines and robust optics, the new Pacifica™ family brings an air of refined sophistication to any external area, while providing both comfort and performance.



Arm Mount

Post Top Mount - Single Strut

Post Top Mount - Double Strut

Bollard



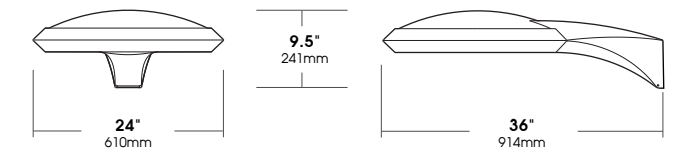


## Arm Mount

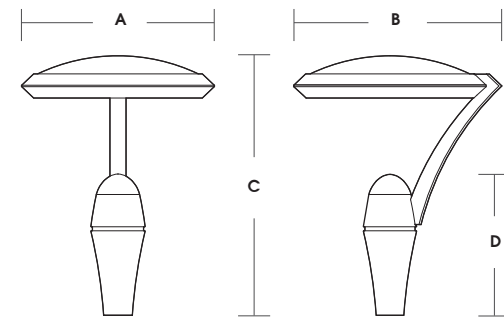
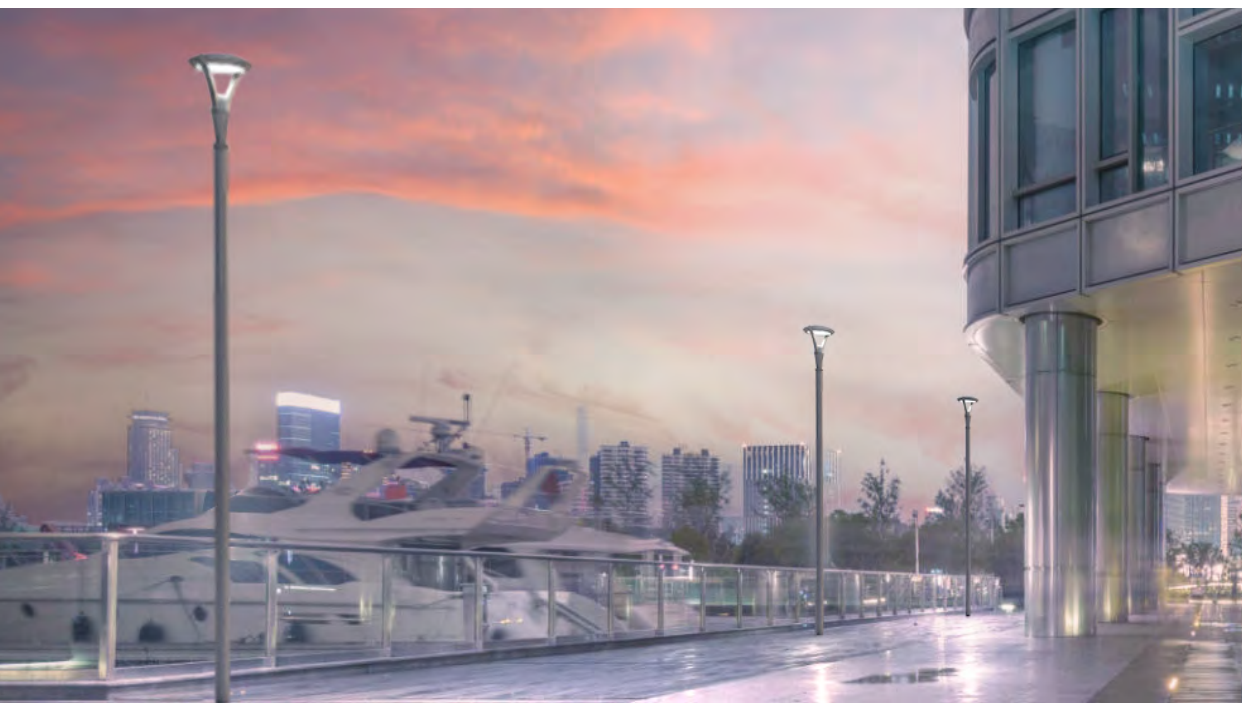
### Take it easy.

Superior performance, attractive appearance and ease of maintenance. The Pacifica™ Arm Mount version, the PAC24, is not only distinctly stylized to complement the contemporary appearance of its Pacifica™ family counterparts, but also highly functional, with a wiring compartment door that is easily accessible for installation and maintenance.

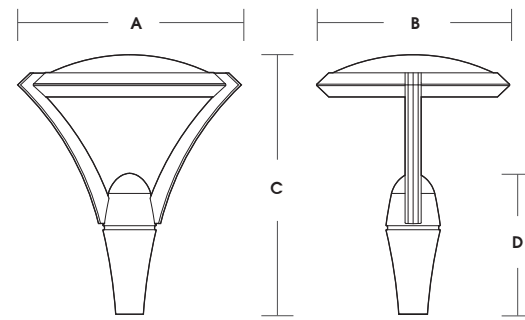
The PAC24 Arm Mount, which can be configured having multiple units on a single pole, provides solutions for a wide range of lighting applications and is scalable to appear perfectly proportioned at 25-foot mounting heights. Utilizing the full extent of LED technology, the Pacifica™ Arm Mount produces variable lighting power and visually pleasing illumination.







FIXTURE	A	B	C	D
PAC24-PT1	24" 610mm	26" 660mm	32" 813mm	17.5" 445mm
PAC18-PT1	19" 483mm	20.5" 521mm	25" 635mm	14" 356mm



FIXTURE	A	B	C	D
PAC24-PT2	28" 711mm	24" 610mm	32" 813mm	17.5" 445mm
PAC18-PT2	22" 559mm	19" 483mm	25" 635mm	14" 356mm

## Post Top Mount Paradise found.

The headliners of the Pacifica™ family are the Post Top site and area luminaires. The Pacifica™ Post Tops were designed to balance scale, form and function with technology and performance.

Available in two sizes, with either a single or double struts, the Pacifica™ Post Tops are as sculpturally beautiful by day as they are luminously proficient by night. Distinctively versatile, these fixtures can easily adapt to a multitude of scales, environments and architectural styles.

Employing the use of US Architecture's potent PLED module, the Pacifica™ Post Tops meet the highest standards of optical reliability and performance. Strikingly stylized with robust optics, the Pacifica™ Post Tops can add sophistication and superior uniform illumination to your contemporary architectural composition.



# Superior Performance

The engineering and materials built into the Pacifica™ family of luminaires allow current solid-state technology to be exploited to its fullest. Engineered for reliability, the PLED® (Panel Optical System) optics permit unmatched efficacy and uniformity in site illumination. The capability to integrate an extensive variety of control packages make the Pacifica™ family ideal accompaniment for new or existing sites that use integrated energy management systems of all types. Additionally, the Pacifica™ family's exceptional thermal management, with separate heat chambers and machine heat sinking, ensures years of maintenance free illumination, providing LED solutions that satisfy the highest standards of performance and dependability.



### Twist Lock Photocell Receptacle/Sensor

Selecting either the 3-pin TPR or 7-pin TPR7 option provides an ANSI C136.41 dimming receptacle that is fitting for utility and commercial lighting. ANSI C136.41 receptacles are available with 3 power contacts and 2 or 4 signal contacts, providing for 0-10V dimming and other auxiliary functionality.



### MS-F311 Bluetooth Photo/Motion Sensor

Selecting this option provides an outdoor rated motion sensor pre-programmed to step dim the fixture from 50% to 100%. Sensors can be field programmed with Bluetooth App.



### Surge Protection (standard)

Surge protectors react quickly to power spikes, absorbing or completely shunting them away from luminaire components. U.S. Architectural Lighting supplies a surge protector with every Pacifica luminaire to ensure long term performance. Surge protectors are perishable items, rated according to the number and intensity of spike and surges, and will eventually need replacing.



### PLED® Optics

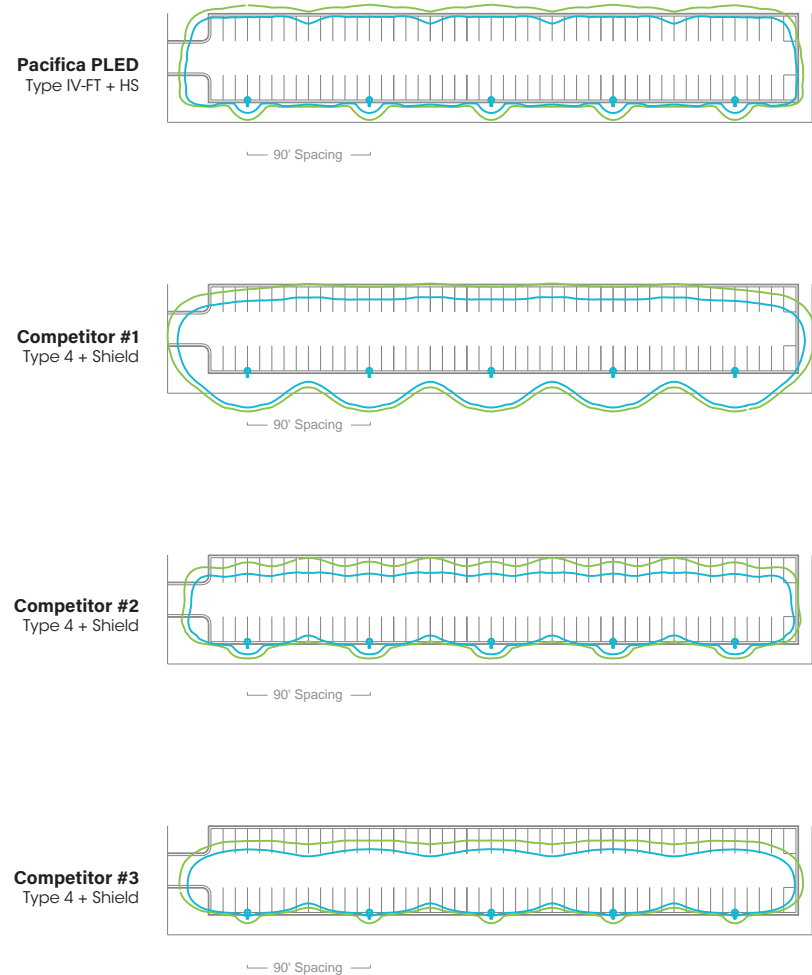
The U.S. Architectural PLED® System utilizes a micro reflector behind each LED in asymmetric distributions to enhance forward throw and reduce backlight. Each LED is optically controlled by a lens with its distribution type and direction of light throw molded into it. The LED's and lenses are arrayed on modules that are field rotatable in 45° increments and field replaceable.

### Ambience™ Low Luminance Lens

Optional Ambience™ Lens (AL) provides enhanced visual comfort with low luminance reduced glare distributions. The Ambience™ Lens diffuses the PLED™ Optics and provides a more uniform luminance across the aperture minimizing glare at all angles. The Ambience™ Lens is provided with an aluminum frame and is sealed to the housing with high temp gasketing.

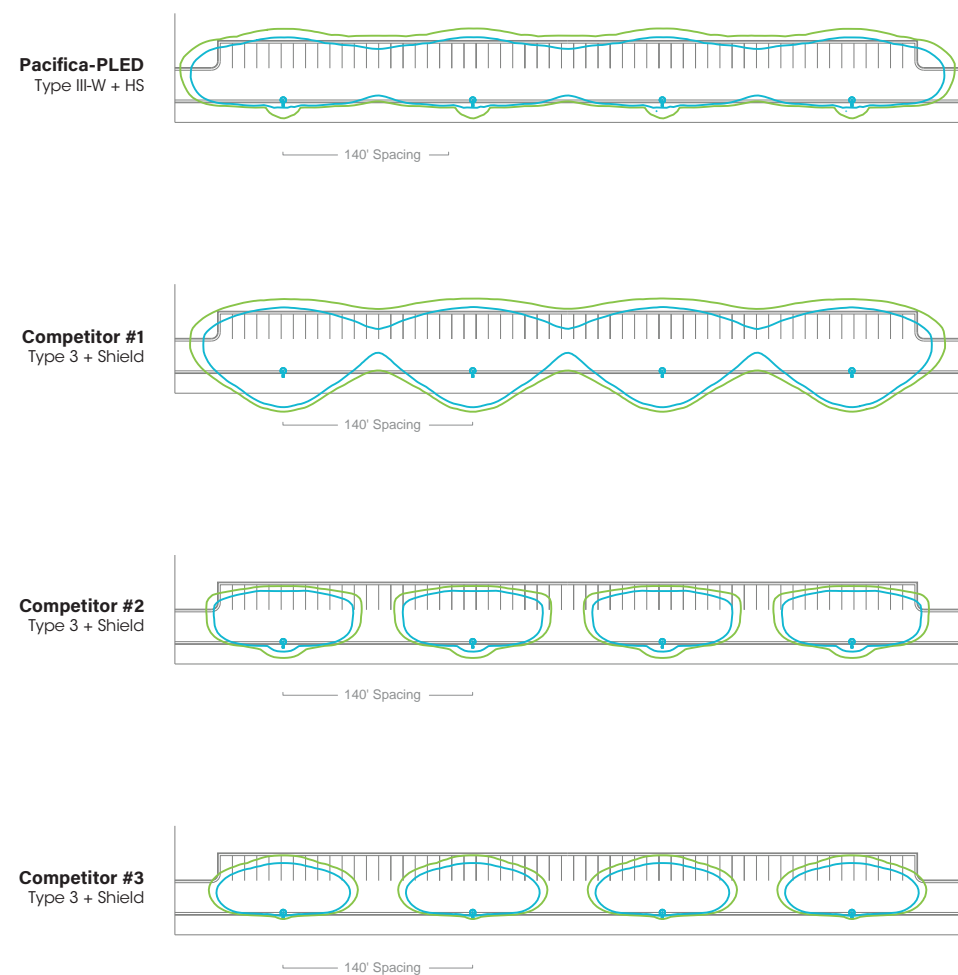


Parking Lot Photometric Comparison  
Type 4 + Shield (18' Mounting Height)



Type 4 + Shield Lot		Parking Lot					Property Line
	Watts	Avg. FC	Max. FC	Min. FC	Avg/Min	Max/Min	Max. FC
<i>Pacifica PLED</i>	129	1.9	3.9	0.6	3.1	6.5	0.2
Competitor #1	148	1.6	4.9	0.3	5.4	16.3	2.3
Competitor #2	140	1.7	4.1	0.2	8.3	20.5	0.1
Competitor #3	133	1.2	3.0	0.2	6.0	15.0	0.2

Parking Lot Photometric Comparison  
Type 3 + Shield (18' Mounting Height)

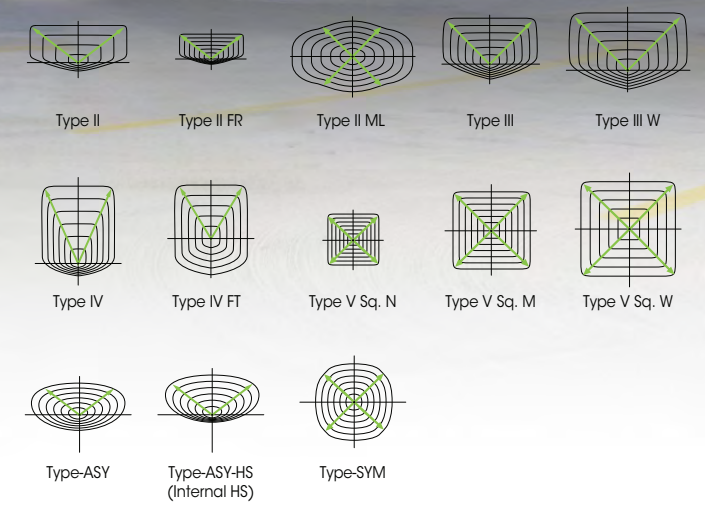


Type 3 + Shield Lot		Parking Lot					Property Line
	Watts	Avg. FC	Max. FC	Min. FC	Avg/Min	Max/Min	Max. FC
<i>Pacifica PLED</i>	129	1.8	5.5	0.6	3.0	9.2	0.2
Competitor #1	148	1.7	6.5	0.4	4.1	16.3	2.4
Competitor #2	140	1.5	6.4	0.1	15.1	64.0	0.2
Competitor #3	133	1.0	2.6	0.1	9.7	26.0	0.0



### LED Distributions

Each of the members of the Pacifica™ family use the U.S. Architectural PLED engineered optical system with superior performance, available with 10 photometric distributions plus house side shielding and the Ambience™ Low Luminance Lens versions. Every site and area luminaire is dark sky compliant with zero uplight, U0. All optical systems are field replaceable and field rotatable.



In competitive comparisons against other round form site and area lights, the Pacifica™ performance is best-in-class. When you need beauty coupled with world class performance for your toughest applications, look no further than the Pacifica™ family of luminaires.



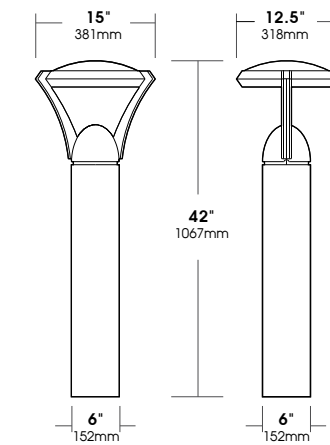


# Bollard

## Riding the wave.

Rounding out the family and supplementing the cohesive finishing touch of design consistency we have the Pacifica™ Bollard. With the addition of the Pacifica™ Bollard your site can carry the design aesthetic from the parking lot to the building sidewalk. The Pacifica™ Bollard, or PACB, marries the surrounding area together with decorative components to complement the Pacifica™ Arm Mount and Post Tops.

The PACB has a cast aluminum head for strength coupled with tamper resistant hardware. Sturdy, solid and resilient, while integrated with the superior efficiency of U.S. Architectural's PLED optical module, the Pacifica Bollard offers a lifetime of stylized beauty and performance.





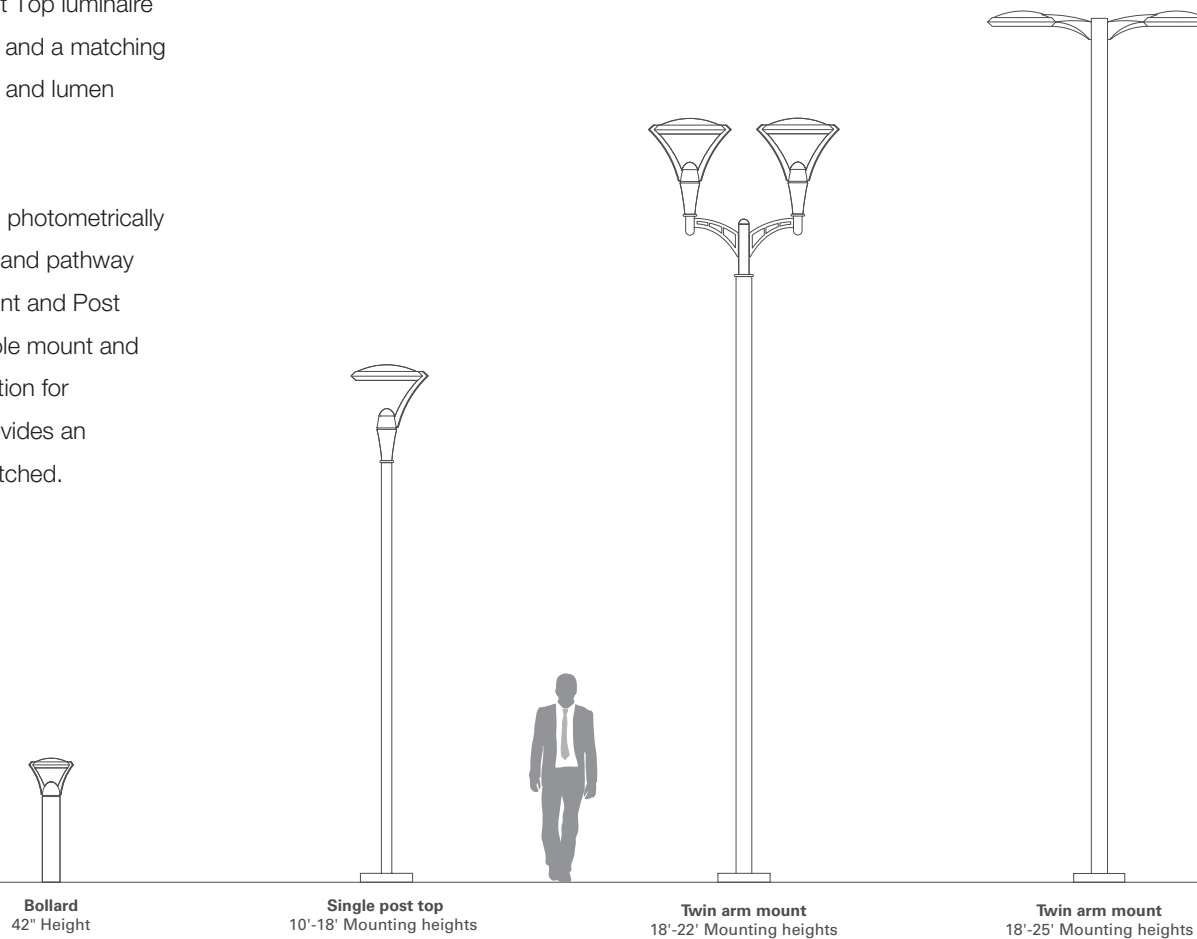
## Configuration Flexibility

### Flow with the tide.

The Pacifica™ family is an assortment of site and area luminaires designed to provide superior uniform illumination for your architectural composition.

The Pacifica™ family, which consists of an Arm Mount that is capable of being configured having multiple units on a single pole, 2 Post Top luminaire sizes that can be configured with a single or twin strut layout, and a matching associated bollard, offers an assortment of optic distributions and lumen packages.

From the parking lot to the building, the Pacifica™ family was photometrically developed for tall area mounting, pedestrian scale mounting, and pathway illumination, minimizing glare for visual comfort. The Arm Mount and Post Tops provide the perfectly proportioned appearance at tall pole mount and pedestrian scale, while the Pacifica™ Bollard is the ideal solution for walkways and building approaches. The Pacifica™ family provides an absolute area and site solution and its versatility is truly unmatched.



## Technical Information

### Mechanical

All of the units within the Pacifica™ family are of heavy cast aluminum construction, using A356 alloy corrosion resistant low copper aluminum, with .19" minimum wall in the PAC18 and .25" minimum wall in the PAC24, for a robust housing; supplying long, trouble-free lifetimes.

The arm mount includes a hinged access door for mitigation and ease of installation and maintenance.

### Thermal

The LEDs are mounted to metal core PCBs, which are mounted to machined heatsink surfaces with less than <.001" variance for maximum thermal conduction away from the LEDs. The optical chamber and the power supply chambers are independent heat islands for optimum heat management. The LEDs, by their manufacturer, are designed to never exceed 150°C. The Pacifica™ family is designed to never allow the LEDs to exceed 90°C. to provide longevity, color stability and maximum lumen retention.

### Photometry

The small PAC18 ranges in wattage from 23.6 watts to 134.7 watts for over 17,000 lumens, designed for pedestrian scale applications, while the large PAC24 model is rated up to 221.5 watts and over 30,000 lumens for taller installations. All sizes employ the PLED engineered optical system providing precise control and sharp cutoffs at the property line with zero uplight. (BUG rating U0) The LED system uses a completely sealed optic chamber around each LED to meet an IP66 rating.

### Light Quality

Pacifica™ luminaires are available in 2700K, 3000K, 4000K, 5000K correlated color temperatures and True Amber as standards. Optional Ambience Lens (AL) provides low luminance reduced glare distributions by diffusing the PLED™ module, providing a more uniform luminance across the aperture minimizing glare at all angles.

### Compliance

All Pacifica™ luminaires are Build America Buy America compliant.







# Pacific

U.S. ARCHITECTURAL  
LIGHTING

U.S. POLE COMPANY 660 West Avenue O, Palmdale, California 93551 661.233.2000 [www.usaltg.com](http://www.usaltg.com)

MADE IN THE  
USA

0323