

# Poles & Arms

Structural Integrity in Steel and Aluminum



MADE IN THE  
**USA**

**U.S. ARCHITECTURAL**  
**LIGHTING**

# INDEX

## Steel Poles

SNTS 4 - 4" Square Non-Tapered Steel	1
SNTS 5 - 5" Square Non-Tapered Steel	3
SNTS 6 - 6" Square Non-Tapered Steel	5
STS - Square Tapered Steel	7
RNTS 4 - 4" Round Non-Tapered Steel	9
RNTS 5 - 5" Round Non-Tapered Steel	11
RNTS 5 <sup>5/8</sup> - 5 <sup>5/8</sup> " Round Non-Tapered Steel	13
RNTS 6 - 6" Round Non-Tapered Steel	15
RNTS 6 <sup>5/8</sup> - 6 <sup>5/8</sup> " Round Non-Tapered Steel	17
RTS - Round Tapered Steel	19

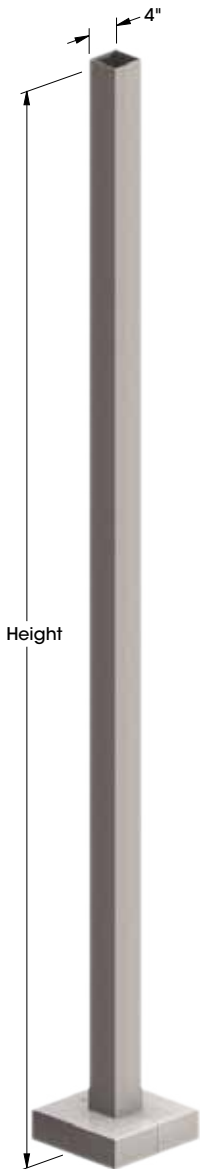
## Aluminum Poles

SNTA 4 - 4" Square Non-Tapered Aluminum	21
SNTA 5 - 5" Square Non-Tapered Aluminum	23
SNTA 6 - 6" Square Non-Tapered Aluminum	25
SNTAR 4 - 4" Square Non-Tapered Rounded Aluminum	27
SNTAR 5 - 5" Square Non-Tapered Rounded Aluminum	29
SNTAR 6 - 6" Square Non-Tapered Rounded Aluminum	31
RNTA 4 - 4" Round Non-Tapered Aluminum	33
RNTA 5 - 5" Round Non-Tapered Aluminum	35
RNTA 5 <sup>5/8</sup> - 5 <sup>5/8</sup> " Round Non-Tapered Aluminum	37
RNTA 6 - 6" Round Non-Tapered Aluminum	39
RNTA 6 <sup>5/8</sup> - 6 <sup>5/8</sup> " Round Non-Tapered Aluminum	41
RTA - Round Tapered Aluminum	43
Arms	45
Accessories	50
Terms and Condition of Sale	52
Isotach Wind Map	54



# □ SNTS 4"

## Square Straight Steel



### Specifications

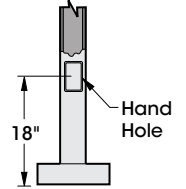
**Shaft** - 4" square, fabricated from high grade structural steel tube. Shaft conforms to ASTM-A-501-68 specifications. Meets or exceeds minimum yield strength of 46,000 P.S.I. Wall thickness 11 GA. (.120 wall) or 7 GA. (.180 wall) as specified. Reinforced hand hole is furnished with cover. Shaft is furnished with ground lug located inside pole on wall opposite hand hole.

**Base Plate** - Fabricated from structural quality hot rolled steel. Meets or exceeds minimum yield strength of 36,000 P.S.I. Base telescopes and is circumferentially welded to pole shaft. Slotted bolt holes provide 1" flexibility on either side of bolt circle centerline.

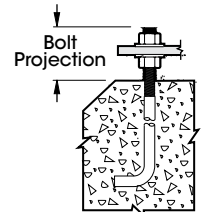
**Anchorage** - (4) anchor bolts fabricated from hot rolled steel bar. Minimum yield strength of 50,000 P.S.I. Bolts have "L" bend on one end and are threaded on the other. Bolts are fully galvanized and are furnished with two nuts and two washers.

**Base Cover** - Fabricated from heavy gauge quality carbon steel. Two piece cover conceals base.

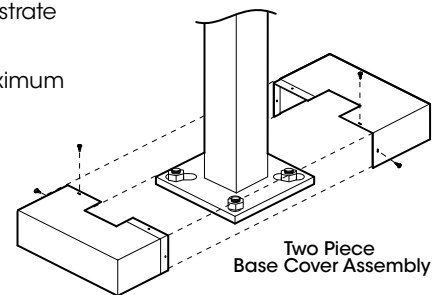
**Finish** - Electrostatically applied TGIC Polyester Powder Coat on substrate prepared with 20 PSI power wash at 140°F. Four step iron phosphate pretreatment for protection and paint adhesion. 400°F bake for maximum hardness and durability.



8" - 11" Dia. Bolt Circle



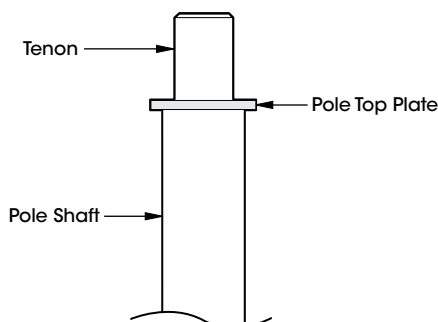
Bolt Projection Above Grade:  
Minimum 3/4"  
Maximum 3/4"



Two Piece Base Cover Assembly

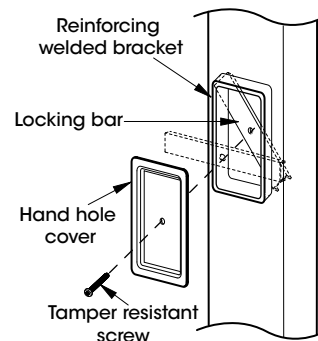
### Pole Top Mount

- PT23 - 2<sup>3</sup>/<sub>8</sub>"X4" Tenon
- PT27 - 2<sup>7</sup>/<sub>8</sub>"X4" Tenon



### Hand Hole Cover

Reinforced hand hole with tamper resistant bolt assembly



# □ SNTS 4"

## Specifications and Ordering

### Engineering Data

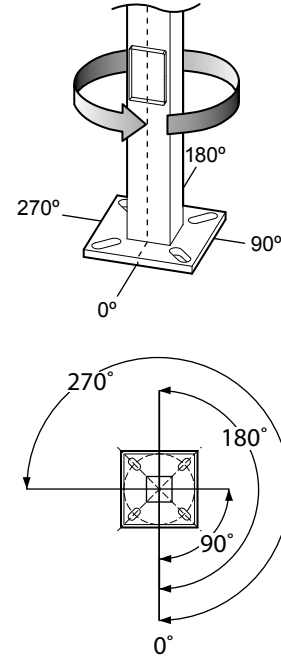
Maximum EPA - Square Feet

MODEL NUMBER	MAX. FIXTURE WEIGHT	100 MPH	90 MPH	80 MPH	70 MPH
SNTS 104 - 11	400	16.7	20.5	26.1	33.4
SNTS 124 - 11	400	12.2	16.1	20.4	25.8
SNTS 144 - 11	400	9.9	12.8	16.1	20.2
SNTS 154 - 11	400	8.9	11.4	14.4	17.9
SNTS 164 - 11	400	7.9	10.1	12.8	15.9
SNTS 184 - 11	400	6.2	8.2	10.1	13.8
SNTS 204 - 11	400	4.8	6.2	7.9	11.6
SNTS 204 - 7	450	8.8	11.3	14.0	17.4
SNTS 254 - 11	350	1.6	3.2	5.5	8.8
SNTS 254 - 7	450	4.3	6.1	9.1	11.2

All above design calculations are based on sustained wind forces plus additional 1.3 wind gust  
 (Example: Pole rated at 80 MPH withstands 104 MPH gusts)

### Drilled Side Mount

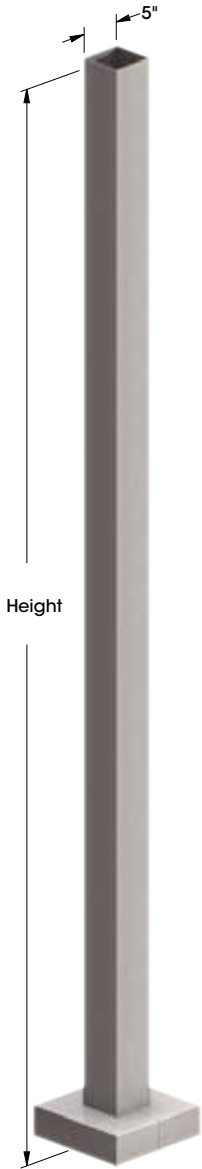
Specify drilling location using codes below.



POLE MODEL NUMBER - SNTS 4"	POLE MODEL NUMBER - SNTS 4"				MOUNTING	FINISH	OPTIONS
	POLE HEIGHT	WALL THICKNESS	BOLT CIRCLE	ANCHORAGE	ARM MOUNT	STANDARD SMOOTH FINISH	RECEPTACLE
□ SNTS 104 - 11	10'	11	9"	3/4"X18"X3"	<input type="checkbox"/> <b>PT23</b> 2 7/8" X 4" TENON	<input type="checkbox"/> BLACK <b>RAL-9005</b>	<input type="checkbox"/> DUPLEX RECEPTACLE <b>DUP</b>
□ SNTS 124 - 11	12'	11	9"	3/4"X18"X3"	<input type="checkbox"/> <b>PT27</b> 2 7/8" X 4" TENON	<input type="checkbox"/> WHITE <b>RAL-9003</b>	<input type="checkbox"/> GFI RECEPTACLE <b>GFI</b>
□ SNTS 144 - 11	14'	11	9"	3/4"X18"X3"	<input type="checkbox"/> OTHER TENON MT _____	<input type="checkbox"/> GREY <b>RAL-7004</b>	<input type="checkbox"/> 3 WAY ADAPTER <b>T3120</b>
□ SNTS 154 - 11	15'	11	9"	3/4"X18"X3"	<b>DRILL MOUNT</b>	<input type="checkbox"/> DARK BRONZE <b>RAL-8019</b>	<b>COUPLING</b>
□ SNTS 164 - 11	16'	11	9"	3/4"X18"X3"	<input type="checkbox"/> 1 ..... ●	<input type="checkbox"/> GREEN <b>RAL-6005</b>	<input type="checkbox"/> 1/2" COUPLING <b>CPLN1/2</b>
□ SNTS 184 - 11	18'	11	9"	3/4"X18"X3"	<input type="checkbox"/> 2-180 ..... ●●	ALL STEEL POLES SUPPLIED WITH SMOOTH FINISH	<input type="checkbox"/> 3/4" COUPLING <b>CPLN3/4</b>
□ SNTS 204 - 11	20'	11	10"	3/4"X24"X3"	<input type="checkbox"/> 2-90 ..... ●●		<input type="checkbox"/> 2" COUPLING <b>CPLN2</b>
□ SNTS 204 - 7	20'	7	11"	3/4"X30"X3"	<input type="checkbox"/> 3-90 ..... ●●●		(SPECIFY COUPLING LOCATION)
□ SNTS 254 - 11	25'	11	11"	3/4"X24"X3"	<input type="checkbox"/> 4-90 ..... ●●●●		
□ SNTS 254 - 7	25'	7	11"	3/4"X30"X3"	<input type="checkbox"/> 3-120 ..... ●●●		
					3-120 REQUIRES PT27 AND T3120 ADAPTER	CONSULT FACTORY FOR CUSTOM COLORS	REFER TO THE ACCESSORIES SECTION FOR OTHER OPTIONS

# □ SNTS 5"

## Square Straight Steel



### Specifications

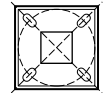
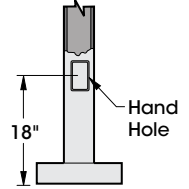
**Shaft** - 5" square, fabricated from high grade structural steel tube. Shaft conforms to ASTM-A-501-68 specifications. Meets or exceeds minimum yield strength of 46,000 P.S.I. Wall thickness 11 GA. (.120 wall) or 7 GA. (.180 wall) as specified. Reinforced hand hole is furnished with cover. Shaft is furnished with ground lug located inside pole on wall opposite hand hole.

**Base Plate** - Fabricated from structural quality hot rolled steel. Meets or exceeds minimum yield strength of 36,000 P.S.I. Base telescopes and is circumferentially welded to pole shaft. Slotted bolt holes provide 1" flexibility on either side of bolt circle centerline.

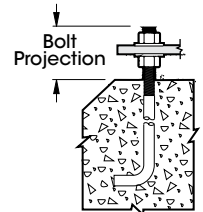
**Anchorage** - (4) anchor bolts fabricated from hot rolled steel bar. Minimum yield strength of 50,000 P.S.I. Bolts have "L" bend on one end and are threaded on the other. Bolts are fully galvanized and are furnished with two nuts and two washers.

**Base Cover** - Fabricated from heavy gauge quality carbon steel. Two piece cover conceals base.

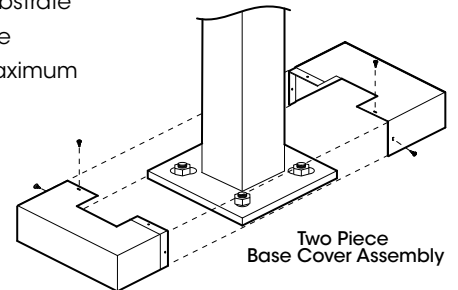
**Finish** - Electrostatically applied TGIC Polyester Powder Coat on substrate prepared with 20 PSI power wash at 140°F. Four step iron phosphate pretreatment for protection and paint adhesion. 400°F bake for maximum hardness and durability.



10 1/2" - 12 1/2" Dia. Bolt Circle

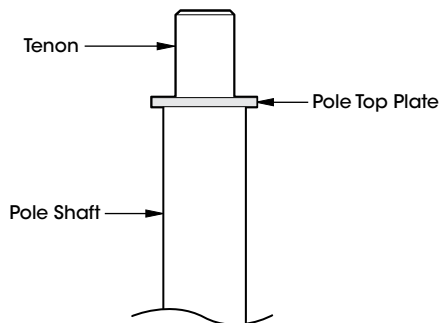


Bolt Projection Above Grade:  
Minimum 3 1/4"  
Maximum 3 3/4"



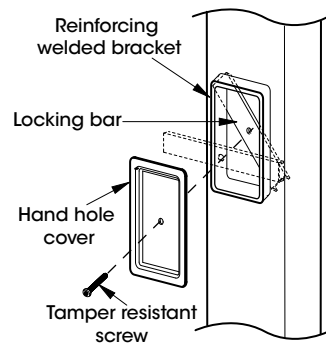
### Pole Top Mount

PT23 - 2 3/8" X 4" Tenon  
PT27 - 2 7/8" X 4" Tenon



### Hand Hole Cover

Reinforced hand hole with tamper resistant bolt assembly



# ☐ SNTS 5"

## Specifications and Ordering

### Engineering Data

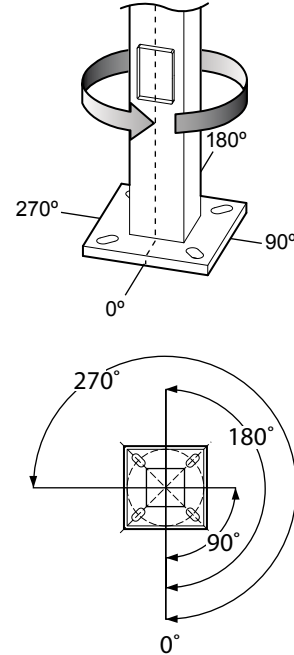
Maximum EPA - Square Feet

MODEL NUMBER	MAX. FIXTURE WEIGHT	100 MPH	90 MPH	80 MPH	70 MPH
SNTS 185 - 11	400	10.9	14.5	20.2	27.0
SNTS 205 - 11	400	8.6	12.0	16.6	23.3
SNTS 205 - 7	450	15.7	19.2	25.1	31.2
SNTS 255 - 11	400	5.1	6.5	9.8	14.6
SNTS 255 - 7	400	9.4	12.4	17.0	23.8
SNTS 305 - 11	350	N/A	2.8	5.7	7.5
SNTS 305 - 7	375	5.6	8.7	12.1	18.2
SNTS 355 - 7	350	2.5	5.2	9.3	14.9

All above design calculations are based on sustained wind forces plus additional 1.3 wind gust  
 (Example: Pole rated at 80 MPH withstands 104 MPH gusts)

### Drilled Side Mount

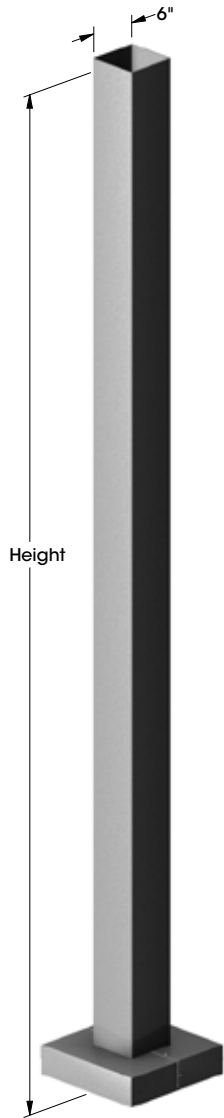
Specify drilling location using codes below.



☐	POLE MODEL NUMBER - SNTS 5"				MOUNTING		FINISH		OPTIONS		
	POLE HEIGHT	WALL THICKNESS	BOLT CIRCLE	ANCHORAGE	ARM MOUNT	DRILL MOUNT	STANDARD SMOOTH FINISH	RECEPTACLE	COUPLING		
☐	SNTS 185 - 11	18'	11	11½"	1"X36"X4"	<input type="checkbox"/> <b>PT23</b> 2¾" X 4" TENON <input type="checkbox"/> <b>PT27</b> 2⅞" X 4" TENON <input type="checkbox"/> OTHER TENON MT _____	<input type="checkbox"/> 1 ..... ●- <input type="checkbox"/> <b>2-180</b> ..... ●● <input type="checkbox"/> <b>2-90</b> ..... ●● <input type="checkbox"/> <b>3-90</b> ..... ●●● <input type="checkbox"/> <b>4-90</b> ..... ●●●● <input type="checkbox"/> <b>3-120</b> ..... ●●●●	<input type="checkbox"/> BLACK <b>RAL-9005</b> <input type="checkbox"/> WHITE <b>RAL-9003</b> <input type="checkbox"/> GREY <b>RAL-7004</b> <input type="checkbox"/> DARK BRONZE <b>RAL-8019</b> <input type="checkbox"/> GREEN <b>RAL-6005</b>	<input type="checkbox"/> DUPLEX RECEPTACLE <b>DUP</b> <input type="checkbox"/> GFI RECEPTACLE <b>GFI</b> <input type="checkbox"/> 3 WAY ADAPTER <b>T3120</b>	<input type="checkbox"/> ½" COUPLING <b>CPLN1/2</b> <input type="checkbox"/> ¾" COUPLING <b>CPLN3/4</b> <input type="checkbox"/> 2" COUPLING <b>CPLN2</b>	
							ALL STEEL POLES SUPPLIED WITH SMOOTH FINISH	(SPECIFY COUPLING LOCATION)			
							3-120 REQUIRES PT27 AND T3120 ADAPTER	CONSULT FACTORY FOR CUSTOM COLORS		REFER TO THE ACCESSORIES SECTION FOR OTHER OPTIONS	

# □ SNTS 6"

## Square Straight Steel



### Specifications

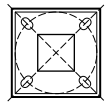
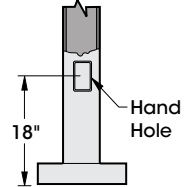
**Shaft** - 6" square, fabricated from high grade structural steel tube. Shaft conforms to ASTM-A-501-68 specifications. Meets or exceeds minimum yield strength of 46,000 P.S.I. Wall thickness 11 GA. (.120 wall) or 7 GA. (.180 wall) as specified. Reinforced hand hole is furnished with cover. Shaft is furnished with ground lug located inside pole on wall opposite hand hole.

**Base Plate** - Fabricated from structural quality hot rolled steel. Meets or exceeds minimum yield strength of 36,000 P.S.I. Base telescopes and is circumferentially welded to pole shaft. Slotted bolt holes provide 1" flexibility on either side of bolt circle centerline.

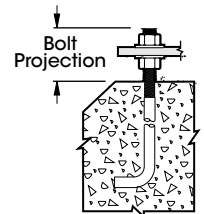
**Anchorage** - (4) anchor bolts fabricated from hot rolled steel bar. Minimum yield strength of 50,000 P.S.I. Bolts have "L" bend on one end and are threaded on the other. Bolts are fully galvanized and are furnished with two nuts and two washers.

**Base Cover** - Fabricated from heavy gauge quality carbon steel. Two piece cover conceals base.

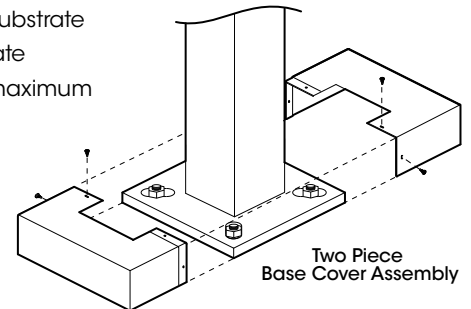
**Finish** - Electrostatically applied TGIC Polyester Powder Coat on substrate prepared with 20 PSI power wash at 140°F. Four step iron phosphate pretreatment for protection and paint adhesion. 400°F bake for maximum hardness and durability.



11 1/2" - 14 1/2" Dia.  
Bolt Circle



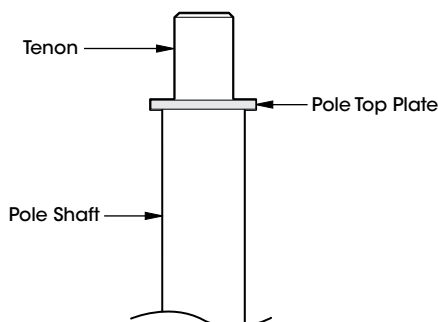
Bolt Projection  
Above Grade:  
Minimum 3/4"  
Maximum 3/4"



Two Piece  
Base Cover Assembly

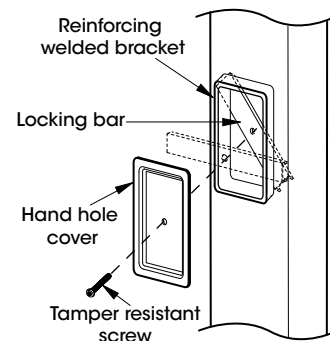
### Pole Top Mount

PT23 - 2 3/8" X 4" Tenon  
PT27 - 2 7/8" X 4" Tenon



### Hand Hole Cover

Reinforced hand hole  
with tamper resistant bolt assembly



# □ SNTS 6"

## Specifications and Ordering

### Engineering Data

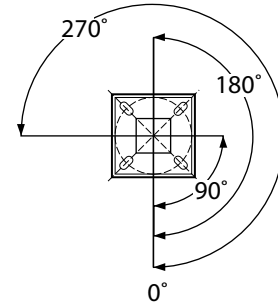
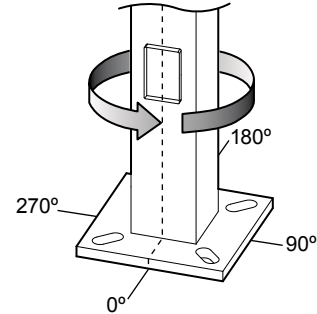
Maximum EPA - Square Feet

MODEL NUMBER	MAX. FIXTURE WEIGHT	100 MPH	90 MPH	80 MPH	70 MPH
SNTS 206 - 7	400	21.9	26.2	34.3	52.1
SNTS 256 - 7	400	14.7	21.8	29.2	37.1
SNTS 306 - 7	400	9.8	14.5	20.8	29.5
SNTS 356 - 7	400	4.9	6.7	13.6	20.9
SNTS 406 - 7	400	2.5	5.4	9.4	14.3

All above design calculations are based on sustained wind forces plus additional 1.3 wind gust  
**(Example: Pole rated at 80 MPH withstands 104 MPH gusts)**

### Drilled Side Mount

Specify drilling location using codes below.



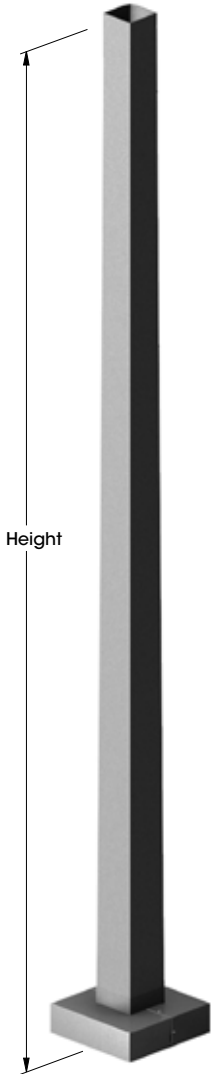
POLE MODEL NUMBER - SNTS 6"				MOUNTING		FINISH		OPTIONS	
	POLE HEIGHT	WALL THICKNESS	BOLT CIRCLE	ANCHORAGE	ARM MOUNT	STANDARD SMOOTH FINISH		RECEPTACLE	
<input type="checkbox"/> SNTS 206 - 7	20'	7	11½"	1"X36"X4"	<input type="checkbox"/> <b>PT23</b> 2⅞" X 4" TENON	<input type="checkbox"/> BLACK <b>RAL-9005</b>	<input type="checkbox"/> DUPLEX RECEPTACLE <b>DUP</b>		
<input type="checkbox"/> SNTS 256 - 7	25'	7	11½"	1"X36"X4"	<input type="checkbox"/> <b>PT27</b> 2⅞" X 4" TENON	<input type="checkbox"/> WHITE <b>RAL-9003</b>	<input type="checkbox"/> GFI RECEPTACLE <b>GFI</b>		
<input type="checkbox"/> SNTS 306 - 7	30'	7	11½"	1"X36"X4"	<input type="checkbox"/> OTHER TENON MT _____	<input type="checkbox"/> GREY <b>RAL-7004</b>	<input type="checkbox"/> 3 WAY ADAPTER <b>T3120</b>		
<input type="checkbox"/> SNTS 356 - 7	35'	7	13½"	1"X36"X4"	<b>DRILL MOUNT</b>	<input type="checkbox"/> DARK BRONZE <b>RAL-8019</b>	<b>COUPLING</b>		
<input type="checkbox"/> SNTS 406 - 7	40'	7	13½"	1"X36"X4"	<input type="checkbox"/> 1 .....	<input type="checkbox"/> GREEN <b>RAL-6005</b>	<input type="checkbox"/> ½" COUPLING <b>CPLN1/2</b>		
					<input type="checkbox"/> 2-180 .....	ALL STEEL POLES SUPPLIED WITH SMOOTH FINISH	<input type="checkbox"/> ¾" COUPLING <b>CPLN3/4</b>		
					<input type="checkbox"/> 2-90 .....		<input type="checkbox"/> 2" COUPLING <b>CPLN2</b>		
					<input type="checkbox"/> 3-90 .....		(SPECIFY COUPLING LOCATION)		
					<input type="checkbox"/> 4-90 .....				
					<input type="checkbox"/> 3-120 .....				
					3-120 REQUIRES PT27 AND T3120 ADAPTER	CONSULT FACTORY FOR CUSTOM COLORS	REFER TO THE ACCESSORIES SECTION FOR OTHER OPTIONS		





# Square Tapered Steel

## Specifications



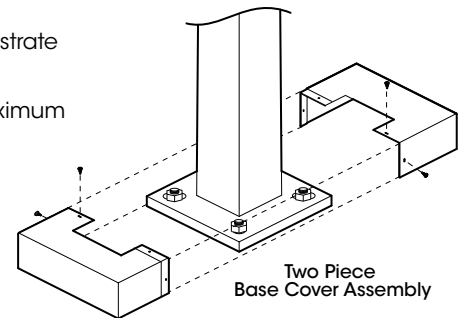
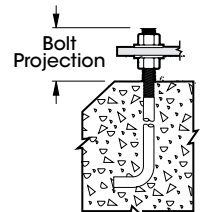
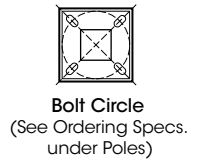
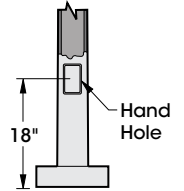
**Shaft** - One piece construction fabricated from coil stock. Weldable grade. Hot rolled commercial quality carbon steel. Guaranteed minimum yield strength 55,000 P.S.I. Shaft has uniform taper of approximately .14" per foot. Wall thickness 11 GA. (.120 wall) or 7 GA. (.180 wall) as specified. Flush reinforced hand hole is furnished with cover. Shaft is furnished with ground lug located inside pole on wall opposite hand hole.

**Base Plate** - Fabricated from structural quality hot rolled steel. Meets or exceeds minimum yield strength of 36,000 P.S.I. Base telescopes and is circumferentially welded to pole shaft. Slotted bolt holes provide 1" flexibility on either side of bolt circle centerline.

**Anchorage** - (4) anchor bolts fabricated from hot rolled steel bar. Minimum yield strength of 50,000 P.S.I. Bolts have "L" bend on one end and are threaded on the other. Bolts are fully galvanized and are furnished with two nuts and two washers.

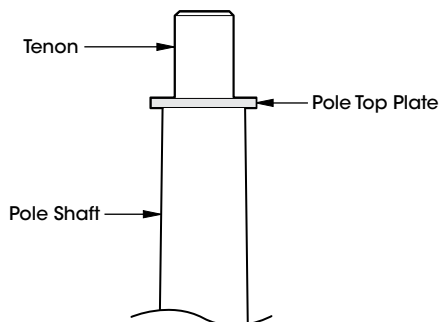
**Base Cover** - Fabricated from heavy gauge quality carbon steel. Two piece cover conceals base.

**Finish** - Electrostatically applied TGIC Polyester Powder Coat on substrate prepared with 20 PSI power wash at 140°F. Four step iron phosphate pretreatment for protection and paint adhesion. 400°F bake for maximum hardness and durability.



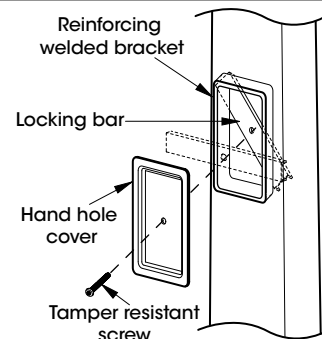
### Pole Top Mount

PT23 - 2<sup>3</sup>/<sub>8</sub>" X 4" Tenon  
PT27 - 2<sup>7</sup>/<sub>8</sub>" X 4" Tenon



### Hand Hole Cover

Reinforced hand hole with tamper resistant bolt assembly





# Specifications and Ordering

## Engineering Data

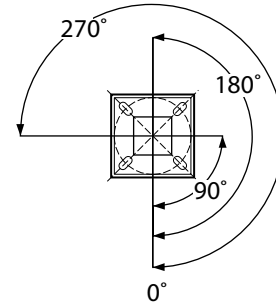
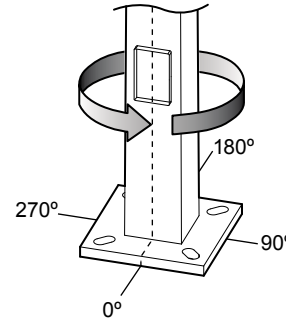
Maximum EPA - Square Feet

MODEL NUMBER	MAX. FIXTURE WEIGHT	100 MPH	90 MPH	80 MPH	70 MPH
<b>STS 20 - 11</b>	<b>275</b>	<b>6.3</b>	<b>8.4</b>	<b>11.2</b>	<b>15.4</b>
<b>STS 25 - 11</b>	<b>275</b>	<b>5.8</b>	<b>7.8</b>	<b>10.9</b>	<b>14.9</b>
<b>STS 30 - 11</b>	<b>225</b>	<b>4.0</b>	<b>5.9</b>	<b>8.6</b>	<b>12.6</b>

All above design calculations are based on sustained wind forces plus additional 1.3 wind gust  
**(Example: Pole rated at 80 MPH withstands 104 MPH gusts)**

## Drilled Side Mount

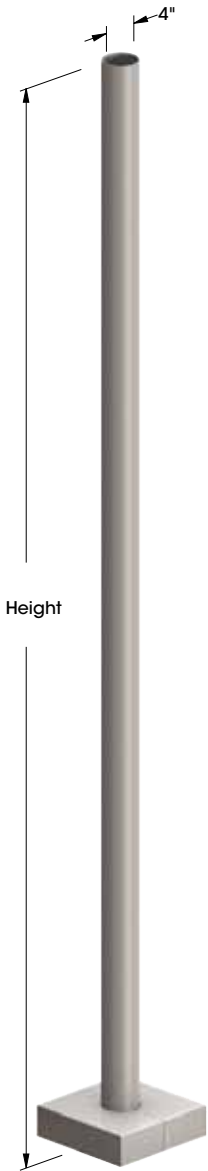
Specify drilling location using codes below.



POLE MODEL NUMBER - STS						MOUNTING	FINISH	OPTIONS
POLE HEIGHT	SHAFT SIZE	WALL THICKNESS	BOLT CIRCLE	ANCHORAGE		ARM MOUNT	STANDARD SMOOTH FINISH	RECEPTACLE
<input type="checkbox"/> <b>STS 20 - 11</b>	20'	5.3X3.0	11	11½"	1"X36"X4"	<input type="checkbox"/> <b>PT23</b> 2 7/8" X 4" TENON  <input type="checkbox"/> OTHER TENON MT _____	<input type="checkbox"/> BLACK <b>RAL-9005</b>  <input type="checkbox"/> WHITE <b>RAL-9003</b>  <input type="checkbox"/> GREY <b>RAL-7004</b>  <input type="checkbox"/> DARK BRONZE <b>RAL-8019</b>  <input type="checkbox"/> GREEN <b>RAL-6005</b>	<input type="checkbox"/> DUPLEX RECEPTACLE <b>DUP</b>  <input type="checkbox"/> GFI RECEPTACLE <b>GFI</b>  <input type="checkbox"/> 3 WAY ADAPTER <b>T3120</b>  <input type="checkbox"/> 4 WAY ADAPTER <b>T490</b>
<input type="checkbox"/> <b>STS 25 - 11</b>	25'	6.0X3.3	11	11½"	1"X36"X4"	<b>DRILL MOUNT</b> <input type="checkbox"/> 1 ..... <input type="checkbox"/> 2-180 ..... <input type="checkbox"/> 2-90 ..... <input type="checkbox"/> 3-90 ..... <input type="checkbox"/> 4-90 ..... <input type="checkbox"/> 3-120 .....	ALL STEEL POLES SUPPLIED WITH SMOOTH FINISH  CONSULT FACTORY FOR CUSTOM COLORS	<b>COUPLING</b>  <input type="checkbox"/> ½" COUPLING <b>CPLN1/2</b>  <input type="checkbox"/> ¾" COUPLING <b>CPLN3/4</b>  <input type="checkbox"/> 2" COUPLING <b>CPLN2</b>  (SPECIFY COUPLING LOCATION)
<input type="checkbox"/> <b>STS 30 - 11</b>	30'	6.4X3.0	11	13½"	1"X36"X4"	3-120 REQUIRES PT27 AND T3120 ADAPTER  2-90, 3-90, 4-90 REQUIRES PT27 AND T490 ADAPTER		REFER TO THE ACCESSORIES SECTION FOR OTHER OPTIONS
<input type="checkbox"/> SPECIFY OTHER HEIGHTS _____								

# ○ RNTS 4"

## Round Straight Steel



### Specifications

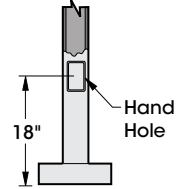
**Shaft** - 4" diameter, fabricated from high grade structural steel tube. Shaft conforms to ASTM-A-501-68 specifications. Meets or exceeds minimum yield strength of 46,000 P.S.I. Wall thickness 11GA. (.120 wall) or 7 GA. (.180 wall) as specified. Reinforced hand hole is furnished with cover. Shaft is furnished with ground lug located inside pole on wall opposite hand hole.

**Base Plate** - Fabricated from structural quality hot rolled steel. Meets or exceeds minimum yield strength of 36,000 P.S.I. Base telescopes and is circumferentially welded to pole shaft. Slotted bolt holes provide 1" flexibility on either side of bolt circle centerline.

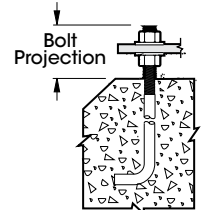
**Anchorage** - (4) anchor bolts fabricated from hot rolled steel bar. Minimum yield strength of 50,000 P.S.I. Bolts have "L" bend on one end and are threaded on the other. Bolts are fully galvanized and are furnished with two nuts and two washers.

**Base Cover** - Fabricated from heavy gauge quality carbon steel. Two piece cover conceals base.

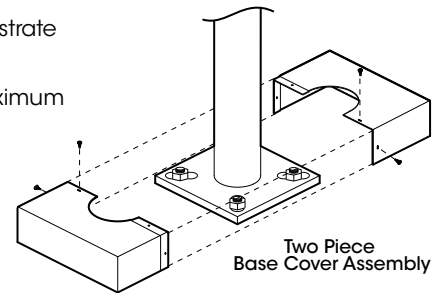
**Finish** - Electrostatically applied TGIC Polyester Powder Coat on substrate prepared with 20 PSI power wash at 140°F. Four step iron phosphate pretreatment for protection and paint adhesion. 400°F bake for maximum hardness and durability.



8" - 11" Dia.  
Bolt Circle



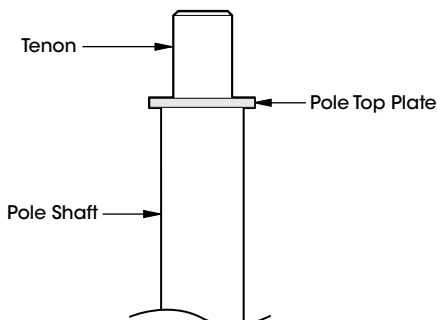
Bolt Projection  
Above Grade:  
Minimum 3/4"  
Maximum 3/4"



Two Piece  
Base Cover Assembly

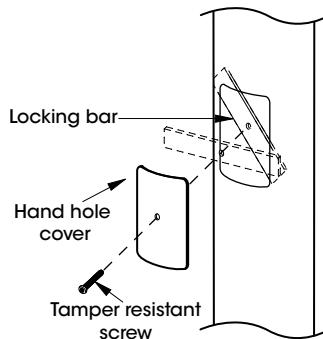
### Pole Top Mount

PT23 - 2<sup>3</sup>/<sub>8</sub>"X4" Tenon  
PT27 - 2<sup>7</sup>/<sub>8</sub>"X4" Tenon

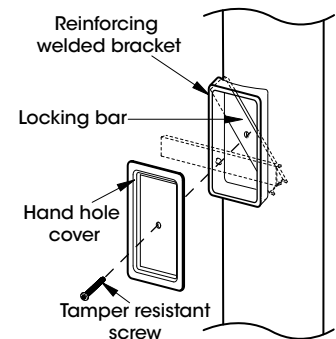


### Hand Hole Cover

Below 15' - Hand hole cover with  
tamper resistant bolt assembly



15' and up - Reinforced hand hole  
with tamper resistant bolt assembly



# ○ RNTS 4"

## Specifications and Ordering

### Engineering Data

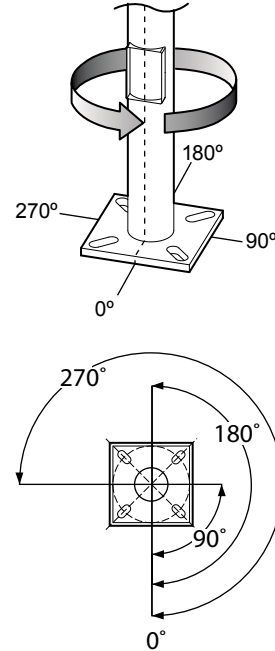
Maximum EPA - Square Feet

MODEL NUMBER	MAX. FIXTURE WEIGHT	100 MPH	90 MPH	80 MPH	70 MPH
RNTS 104 - 11	225	12.0	14.7	17.8	20.9
RNTS 124 - 11	165	9.3	11.7	14.5	17.2
RNTS 144 - 11	135	7.5	9.0	10.8	11.9
RNTS 164 - 11	110	5.8	7.2	9.3	11.2
RNTS 184 - 11	100	4.6	5.8	7.5	9.0
RNTS 204 - 11	100	3.6	4.4	6.0	7.2
RNTS 204 - 7	135	6.8	10.2	14.8	18.6
RNTS 244 - 7	110	3.2	5.8	8.9	13.1

All above design calculations are based on sustained wind forces plus additional 1.3 wind gust  
 (Example: Pole rated at 80 MPH withstands 104 MPH gusts)

### Drilled Side Mount

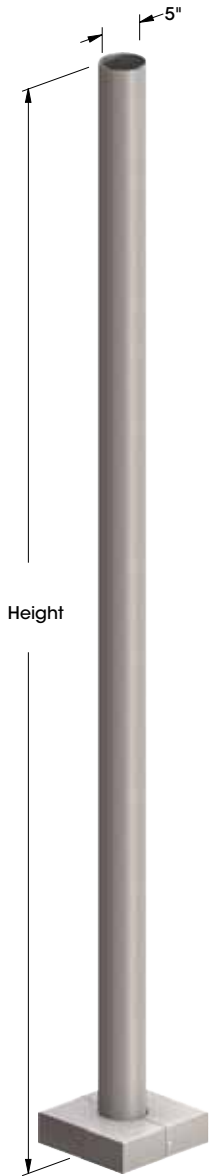
Specify drilling location using codes below.



POLE MODEL NUMBER - RNTS 4"					MOUNTING	FINISH	OPTIONS
	POLE HEIGHT	WALL THICKNESS	BOLT CIRCLE	ANCHORAGE	ARM MOUNT	STANDARD SMOOTH FINISH	RECEPTACLE
<input type="checkbox"/> RNTS 104 - 11	10'	11	9"	¾"X18"X3"	<input type="checkbox"/> <b>PT23</b> 2 ½" X 4" TENON	<input type="checkbox"/> BLACK <b>RAL-9005</b>	<input type="checkbox"/> DUPLEX RECEPTACLE <b>DUP</b>
<input type="checkbox"/> RNTS 124 - 11	12'	11	9"	¾"X18"X3"	<input type="checkbox"/> <b>PT27</b> 2 7/8" X 4" TENON	<input type="checkbox"/> WHITE <b>RAL-9003</b>	<input type="checkbox"/> GFI RECEPTACLE <b>GFI</b>
<input type="checkbox"/> RNTS 144 - 11	14'	11	9"	¾"X18"X3"	<input type="checkbox"/> OTHER TENON MT _____	<input type="checkbox"/> GREY <b>RAL-7004</b>	<input type="checkbox"/> 3 WAY ADAPTER <b>T3120</b>
<input type="checkbox"/> RNTS 164 - 11	16'	11	9"	¾"X18"X3"	<b>DRILL MOUNT</b>	<input type="checkbox"/> DARK BRONZE <b>RAL-8019</b>	<input type="checkbox"/> 4 WAY ADAPTER <b>T490</b>
<input type="checkbox"/> RNTS 184 - 11	18'	11	9"	¾"X24"X3"	<input type="checkbox"/> 1 ..... ●	<input type="checkbox"/> GREEN <b>RAL-6005</b>	<input type="checkbox"/> ROUND BASE COVER <b>RBC</b>
<input type="checkbox"/> RNTS 204 - 11	20'	11	10"	¾"X24"X3"	<input type="checkbox"/> 2-180 ..... ●●	ALL STEEL POLES SUPPLIED WITH SMOOTH FINISH	<b>COUPLING</b>
<input type="checkbox"/> RNTS 204 - 7	20'	7	10"	¾"X30"X3"	<input type="checkbox"/> 2-90 ..... ●●		<input type="checkbox"/> ½" COUPLING <b>CPLN1/2</b>
<input type="checkbox"/> RNTS 244 - 7	24'	7	11"	¾"X30"X3"	<input type="checkbox"/> 3-90 ..... ●●●		<input type="checkbox"/> ¾" COUPLING <b>CPLN3/4</b>
					<input type="checkbox"/> 4-90 ..... ●●●●		<input type="checkbox"/> 2" COUPLING <b>CPLN2</b>
					<input type="checkbox"/> 3-120 ..... ●●●		(SPECIFY COUPLING LOCATION)
					3-120 REQUIRES PT27 AND T3120 ADAPTER		
					2-90, 3-90, 4-90 REQUIRES PT27 AND T490 ADAPTER	CONSULT FACTORY FOR CUSTOM COLORS	REFER TO THE ACCESSORIES SECTION FOR OTHER OPTIONS

# ○ RNTS 5"

## Round Straight Steel



### Specifications

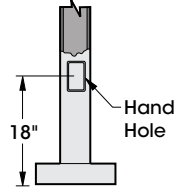
**Shaft** - 5" diameter, fabricated from high grade structural steel tube. Shaft conforms to ASTM-A-501-68 specifications. Meets or exceeds minimum yield strength of 46,000 P.S.I. Wall thickness 11GA. (.120 wall) or 7 GA. (.180 wall) as specified. Reinforced hand hole is furnished with cover. Shaft is furnished with ground lug located inside pole on wall opposite hand hole.

**Base Plate** - Fabricated from structural quality hot rolled steel. Meets or exceeds minimum yield strength of 36,000 P.S.I. Base telescopes and is circumferentially welded to pole shaft. Slotted bolt holes provide 1" flexibility on either side of bolt circle centerline.

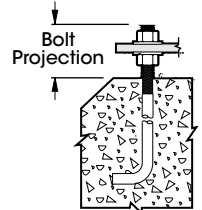
**Anchorage** - (4) anchor bolts fabricated from hot rolled steel bar. Minimum yield strength of 50,000 P.S.I. Bolts have "L" bend on one end and are threaded on the other. Bolts are fully galvanized and are furnished with two nuts and two washers.

**Base Cover** - Fabricated from heavy gauge quality carbon steel. Two piece cover conceals base.

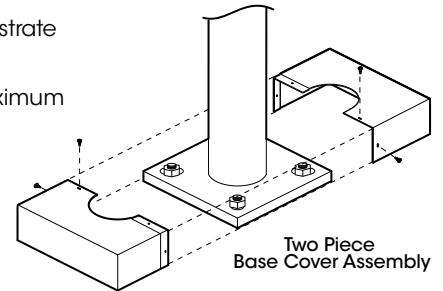
**Finish** - Electrostatically applied TGIC Polyester Powder Coat on substrate prepared with 20 PSI power wash at 140°F. Four step iron phosphate pretreatment for protection and paint adhesion. 400°F bake for maximum hardness and durability.



10 1/2" - 12 1/2" Dia.  
Bolt Circle

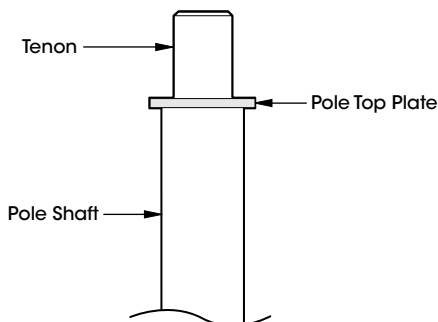


Bolt Projection  
Above Grade:  
Minimum 3/4"  
Maximum 3/4"



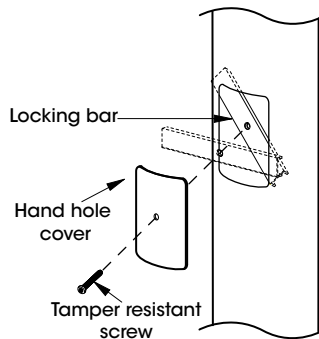
### Pole Top Mount

PT23 - 2 3/8" X 4" Tenon  
PT27 - 2 7/8" X 4" Tenon

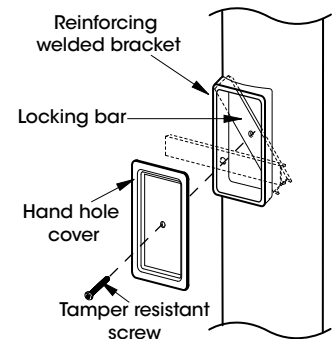


### Hand Hole Cover

Below 15' - Hand hole cover with tamper resistant bolt assembly



15' and up - Reinforced hand hole with tamper resistant bolt assembly



# ○ RNTS 5"

## Specifications and Ordering

### Engineering Data

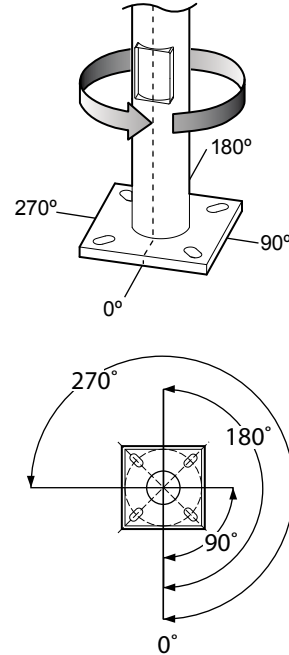
Maximum EPA - Square Feet

MODEL NUMBER	MAX. FIXTURE WEIGHT	100 MPH	90 MPH	80 MPH	70 MPH
RNTS 165 - 11	200	8.1	10.0	12.6	15.8
RNTS 185 - 11	175	6.5	8.1	10.0	12.6
RNTS 185 - 7	325	12.4	16.3	32.1	43.9
RNTS 205 - 11	150	5.2	6.5	7.9	10.1
RNTS 205 - 7	275	10.1	14.9	22.3	32.5
RNTS 255 - 11	125	4.1	5.9	7.6	10.9
RNTS 255 - 7	250	8.0	10.7	13.2	19.7

All above design calculations are based on sustained wind forces plus additional 1.3 wind gust  
**(Example: Pole rated at 80 MPH withstands 104 MPH gusts)**

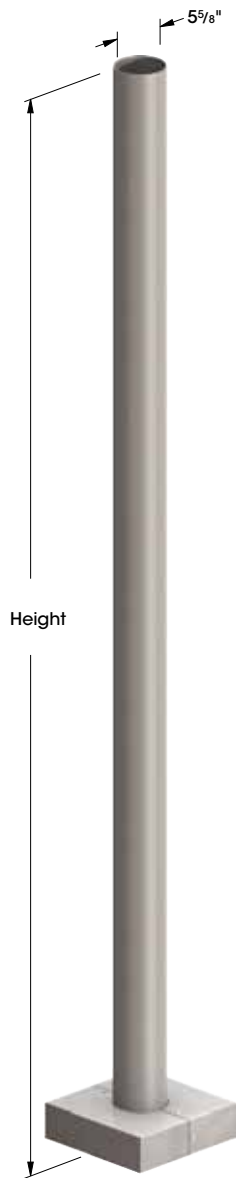
### Drilled Side Mount

Specify drilling location using codes below.



POLE MODEL NUMBER - RNTS 5"				MOUNTING	FINISH	OPTIONS
POLE HEIGHT	WALL THICKNESS	BOLT CIRCLE	ANCHORAGE	ARM MOUNT	STANDARD SMOOTH FINISH	RECEPTACLE
<input type="checkbox"/> RNTS 165 - 11	16'	11	11½" 1"X36"X4"	<input type="checkbox"/> <b>PT23</b> 2⅝" X 4" TENON	<input type="checkbox"/> BLACK <b>RAL-9005</b>	<input type="checkbox"/> DUPLEX RECEPTACLE <b>DUP</b>
<input type="checkbox"/> RNTS 185 - 11	18'	11	11½" 1"X36"X4"	<input type="checkbox"/> <b>PT27</b> 2⅞" X 4" TENON	<input type="checkbox"/> WHITE <b>RAL-9003</b>	<input type="checkbox"/> GFI RECEPTACLE <b>GFI</b>
<input type="checkbox"/> RNTS 185 - 7	18'	7	11½" 1"X36"X4"	<input type="checkbox"/> OTHER TENON MT _____	<input type="checkbox"/> GREY <b>RAL-7004</b>	<input type="checkbox"/> 3 WAY ADAPTER <b>T3120</b>
<input type="checkbox"/> RNTS 205 - 11	20'	11	11½" 1"X36"X4"	<b>DRILL MOUNT</b>	<input type="checkbox"/> DARK BRONZE <b>RAL-8019</b>	<input type="checkbox"/> 4 WAY ADAPTER <b>T490</b>
<input type="checkbox"/> RNTS 205 - 7	20'	7	11½" 1"X36"X4"	<input type="checkbox"/> 1 ..... ●	<input type="checkbox"/> GREEN <b>RAL-6005</b>	<input type="checkbox"/> ROUND BASE COVER <b>RBC</b>
<input type="checkbox"/> RNTS 255 - 11	25'	11	11½" 1"X36"X4"	<input type="checkbox"/> 2-180 ..... ●●	ALL STEEL POLES SUPPLIED WITH SMOOTH FINISH	<b>COUPLING</b>
<input type="checkbox"/> RNTS 255 - 7	25'	7	11½" 1"X36"X4"	<input type="checkbox"/> 2-90 ..... ●●		<input type="checkbox"/> ½" COUPLING <b>CPLN1/2</b>
				<input type="checkbox"/> 3-90 ..... ●●●		<input type="checkbox"/> ¾" COUPLING <b>CPLN3/4</b>
				<input type="checkbox"/> 4-90 ..... ●●●●		<input type="checkbox"/> 2" COUPLING <b>CPLN2</b>
				<input type="checkbox"/> 3-120 ..... ●●●		(SPECIFY COUPLING LOCATION)
				3-120 REQUIRES PT27 AND T3120 ADAPTER		
				2-90, 3-90, 4-90 REQUIRES PT27 AND T490 ADAPTER	CONSULT FACTORY FOR CUSTOM COLORS	REFER TO THE ACCESSORIES SECTION FOR OTHER OPTIONS

# ○ RNTS 5<sup>5</sup>/<sub>8</sub>" Round Straight Steel



## Specifications

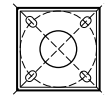
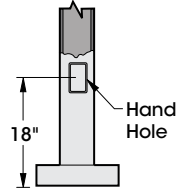
**Shaft** - 5<sup>5</sup>/<sub>8</sub>" diameter, fabricated from high grade structural steel tube. Shaft conforms to ASTM-A-501-68 specifications. Meets or exceeds minimum yield strength of 46,000 P.S.I. Wall thickness 11 GA. (.120 wall) or 7 GA. (.180 wall) as specified. Reinforced hand hole is furnished with cover. Shaft is furnished with ground lug located inside pole on wall opposite hand hole.

**Base Plate** - Fabricated from structural quality hot rolled steel. Meets or exceeds minimum yield strength of 36,000 P.S.I. Base telescopes and is circumferentially welded to pole shaft. Slotted bolt holes provide 1" flexibility on either side of bolt circle centerline.

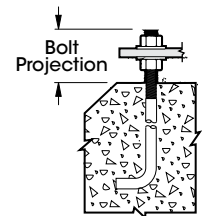
**Anchorage** - (4) anchor bolts fabricated from hot rolled steel bar. Minimum yield strength of 50,000 P.S.I. Bolts have "L" bend on one end and are threaded on the other. Bolts are fully galvanized and are furnished with two nuts and two washers.

**Base Cover** - Fabricated from heavy gauge quality carbon steel. Two piece cover conceals base.

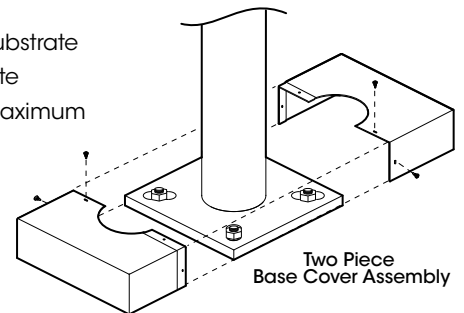
**Finish** - Electrostatically applied TGIC Polyester Powder Coat on substrate prepared with 20 PSI power wash at 140°F. Four step iron phosphate pretreatment for protection and paint adhesion. 400°F bake for maximum hardness and durability.



10<sup>1</sup>/<sub>2</sub>" - 12<sup>1</sup>/<sub>2</sub>" Dia.  
Bolt Circle

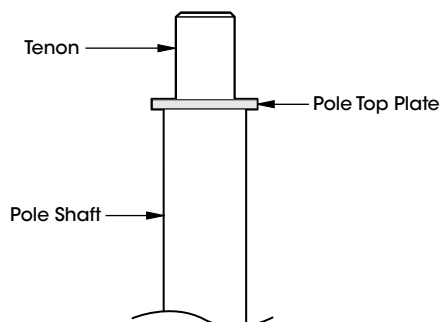


Bolt Projection Above Grade:  
Minimum 3/4"  
Maximum 3/4"



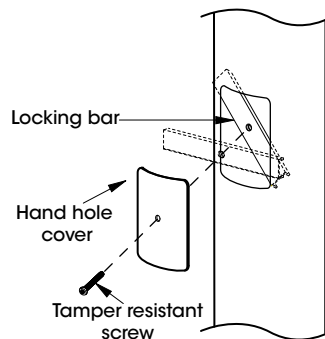
### Pole Top Mount

PT23 - 2<sup>3</sup>/<sub>8</sub>"X4" Tenon  
PT27 - 2<sup>7</sup>/<sub>8</sub>"X4" Tenon

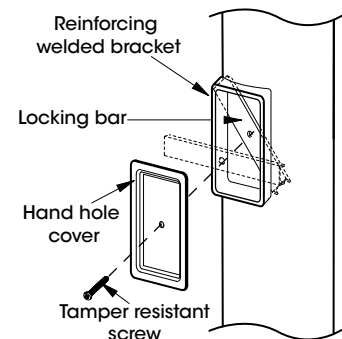


### Hand Hole Cover

Below 15' - Hand hole cover with tamper resistant bolt assembly



15' and up - Reinforced hand hole with tamper resistant bolt assembly



# ○ RNTS 5<sup>5/8</sup>"

## Specifications and Ordering

### Engineering Data

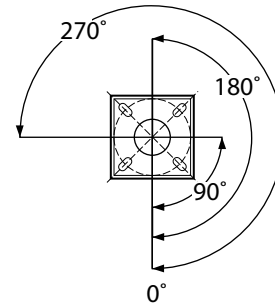
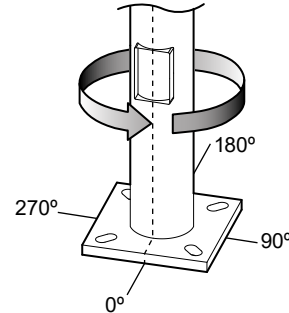
Maximum EPA - Square Feet

MODEL NUMBER	MAX. FIXTURE WEIGHT	100 MPH	90 MPH	80 MPH	70 MPH
RNTS 18558 - 3	375	14.2	18.5	36.6	
RNTS 20558 - 3	325	11.5	16.9	25.3	
RNTS 25558 - 3	300	9.1	12.2	15.0	
RNTS 28558 - 3	250	7.9	10.4	13.1	
RNTS 30558 - 3	225	6.9	9.1	11.9	

All above design calculations are based on sustained wind forces plus additional 1.3 wind gust  
**(Example: Pole rated at 80 MPH withstands 104 MPH gusts)**

### Drilled Side Mount

Specify drilling location using codes below.

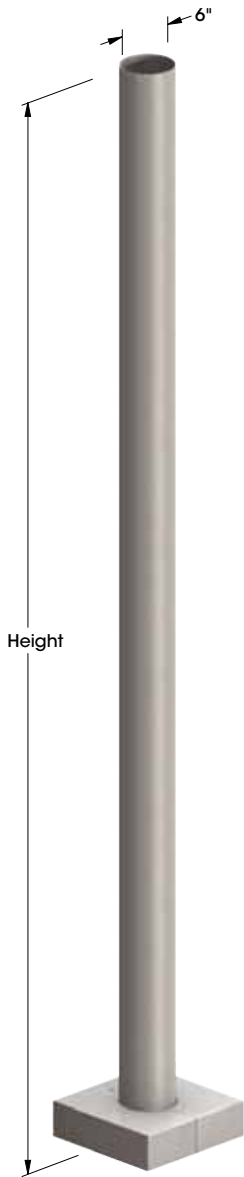


POLE MODEL NUMBER - RNTS 5 <sup>5/8</sup> "				MOUNTING	FINISH	OPTIONS	
	POLE HEIGHT	WALL THICKNESS	BOLT CIRCLE	ANCHORAGE			
<input type="checkbox"/> RNTS 18558 - 3	18'	3	11½"	1"X36"X4"	<input type="checkbox"/> <b>PT23</b> 2 <sup>3/8</sup> " X 4" TENON  <input type="checkbox"/> <b>PT27</b> 2 <sup>7/8</sup> " X 4" TENON  <input type="checkbox"/> OTHER TENON MT _____	<input type="checkbox"/> BLACK <b>RAL-9005</b>  <input type="checkbox"/> WHITE <b>RAL-9003</b>  <input type="checkbox"/> GREY <b>RAL-7004</b>  <input type="checkbox"/> DARK BRONZE <b>RAL-8019</b>  <input type="checkbox"/> GREEN <b>RAL-6005</b>	<input type="checkbox"/> DUPLEX RECEPTACLE <b>DUP</b>  <input type="checkbox"/> GFI RECEPTACLE <b>GFI</b>  <input type="checkbox"/> 3 WAY ADAPTER <b>T3120</b>  <input type="checkbox"/> 4 WAY ADAPTER <b>T490</b>  <input type="checkbox"/> ROUND BASE COVER <b>RBC</b>  COUPLING  <input type="checkbox"/> ½" COUPLING <b>CPLN1/2</b>  <input type="checkbox"/> ¾" COUPLING <b>CPLN3/4</b>  <input type="checkbox"/> 2" COUPLING <b>CPLN2</b>  (SPECIFY COUPLING LOCATION)
<input type="checkbox"/> RNTS 20558 - 3	20'	3	11½"	1"X36"X4"	DRILL MOUNT  <input type="checkbox"/> 1 ..... ●  <input type="checkbox"/> 2-180 ..... ●●  <input type="checkbox"/> 2-90 ..... ●●  <input type="checkbox"/> 3-90 ..... ●●●  <input type="checkbox"/> 4-90 ..... ●●●●  <input type="checkbox"/> 3-120 ..... ●●●●  3-120 REQUIRES PT27 AND T3120 ADAPTER  2-90, 3-90, 4-90 REQUIRES PT27 AND T490 ADAPTER	ALL STEEL POLES SUPPLIED WITH SMOOTH FINISH  CONSULT FACTORY FOR CUSTOM COLORS	REFER TO THE ACCESSORIES SECTION FOR OTHER OPTIONS
<input type="checkbox"/> RNTS 25558 - 3	25'	3	13½"	1¼"X42"X6"			
<input type="checkbox"/> RNTS 28558 - 3	28'	3	13½"	1¼"X42"X6"			
<input type="checkbox"/> RNTS 30558 - 3	30'	3	13½"	1¼"X42"X6"			



# ○ RNTS 6"

## Round Straight Steel



### Specifications

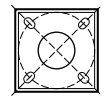
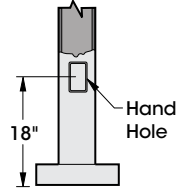
**Shaft** - 6" diameter, fabricated from high grade structural steel tube. Shaft conforms to ASTM-A-501-68 specifications. Meets or exceeds minimum yield strength of 46,000 P.S.I. Wall thickness 11GA. (.120 wall) or 7 GA. (.180 wall) as specified. Reinforced hand hole is furnished with cover. Shaft is furnished with ground lug located inside pole on wall opposite hand hole.

**Base Plate** - Fabricated from structural quality hot rolled steel. Meets or exceeds minimum yield strength of 36,000 P.S.I. Base telescopes and is circumferentially welded to pole shaft. Slotted bolt holes provide 1" flexibility on either side of bolt circle centerline.

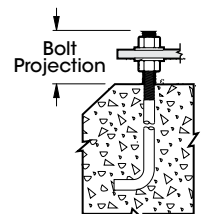
**Anchorage** - (4) anchor bolts fabricated from hot rolled steel bar. Minimum yield strength of 50,000 P.S.I. Bolts have "L" bend on one end and are threaded on the other. Bolts are fully galvanized and are furnished with two nuts and two washers.

**Base Cover** - Fabricated from heavy gauge quality carbon steel. Two piece cover conceals base.

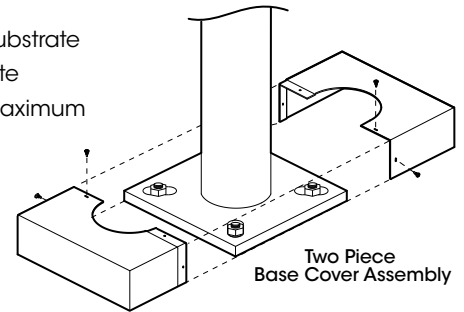
**Finish** - Electrostatically applied TGIC Polyester Powder Coat on substrate prepared with 20 PSI power wash at 140°F. Four step iron phosphate pretreatment for protection and paint adhesion. 400°F bake for maximum hardness and durability.



11½" - 14½" Dia.  
Bolt Circle



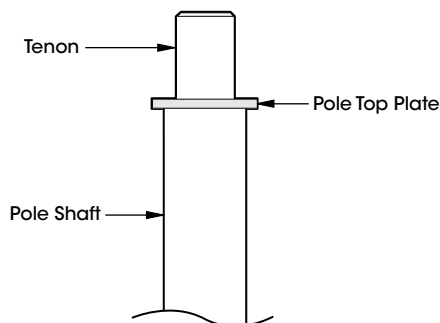
Bolt Projection Above Grade:  
Minimum ¾"  
Maximum 3¾"



Two Piece  
Base Cover Assembly

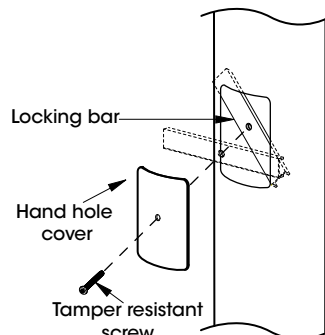
### Pole Top Mount

PT23 - 2⅝"X4" Tenon  
PT27 - 2⅞"X4" Tenon

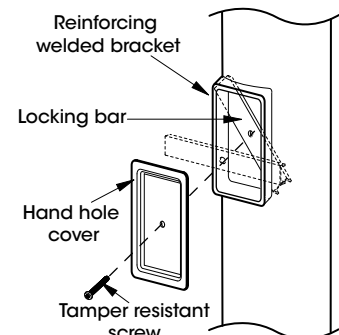


### Hand Hole Cover

Below 15' - Hand hole cover with tamper resistant bolt assembly



15' and up - Reinforced hand hole with tamper resistant bolt assembly



# ○ RNTS 6"

## Specifications and Ordering

### Engineering Data

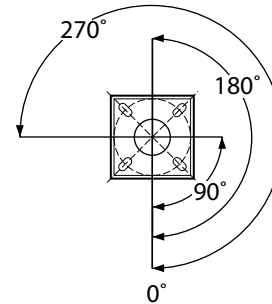
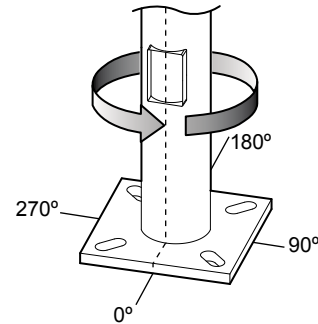
Maximum EPA - Square Feet

MODEL NUMBER	MAX. FIXTURE WEIGHT	100 MPH	90 MPH	80 MPH
<b>RNTS 186 - 7</b>	375	16.2	21.1	41.7
<b>RNTS 206 - 7</b>	325	13.1	19.3	28.9
<b>RNTS 256 - 7</b>	300	10.4	13.9	17.1
<b>RNTS 286 - 7</b>	250	9.0	11.9	14.9
<b>RNTS 306 - 7</b>	225	7.9	10.4	13.6

All above design calculations are based on sustained wind forces plus additional 1.3 wind gust  
**(Example: Pole rated at 80 MPH withstands 104 MPH gusts)**

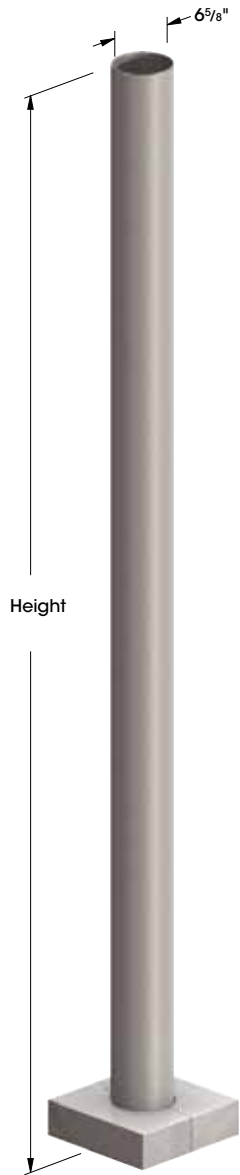
### Drilled Side Mount

Specify drilling location using codes below.



POLE MODEL NUMBER - RNTS 6"				MOUNTING	FINISH	OPTIONS
POLE HEIGHT	WALL THICKNESS	BOLT CIRCLE	ANCHORAGE	ARM MOUNT	STANDARD SMOOTH FINISH	RECEPTACLE
<input type="checkbox"/> <b>RNTS 186 - 7</b>	18'	7	11½" 1"X36"X4"	<input type="checkbox"/> <b>PT23</b> 2⅞" X 4" TENON	<input type="checkbox"/> BLACK <b>RAL-9005</b>	<input type="checkbox"/> DUPLEX RECEPTACLE <b>DUP</b>
<input type="checkbox"/> <b>RNTS 206 - 7</b>	20'	7	11½" 1"X36"X4"	<input type="checkbox"/> <b>PT27</b> 2⅞" X 4" TENON	<input type="checkbox"/> WHITE <b>RAL-9003</b>	<input type="checkbox"/> GFI RECEPTACLE <b>GFI</b>
<input type="checkbox"/> <b>RNTS 256 - 7</b>	25'	7	11½" 1"X36"X4"	<input type="checkbox"/> OTHER TENON MT _____	<input type="checkbox"/> GREY <b>RAL-7004</b>	<input type="checkbox"/> 3 WAY ADAPTER <b>T3120</b>
<input type="checkbox"/> <b>RNTS 286 - 7</b>	28'	7	13½" 1¼"X42"X6"	<b>DRILL MOUNT</b>	<input type="checkbox"/> DARK BRONZE <b>RAL-8019</b>	<input type="checkbox"/> 4 WAY ADAPTER <b>T490</b>
<input type="checkbox"/> <b>RNTS 306 - 7</b>	30'	7	13½" 1¼"X42"X6"	<input type="checkbox"/> 1 ..... ●	<input type="checkbox"/> GREEN <b>RAL-6005</b>	<input type="checkbox"/> ROUND BASE COVER <b>RBC</b>
				<input type="checkbox"/> 2-180 ..... ●●	ALL STEEL POLES SUPPLIED WITH SMOOTH FINISH	<b>COUPLING</b>
				<input type="checkbox"/> 2-90 ..... ●●		<input type="checkbox"/> ½" COUPLING <b>CPLN1/2</b>
				<input type="checkbox"/> 3-90 ..... ●●●		<input type="checkbox"/> ¾" COUPLING <b>CPLN3/4</b>
				<input type="checkbox"/> 4-90 ..... ●●●●		<input type="checkbox"/> 2" COUPLING <b>CPLN2</b>
				<input type="checkbox"/> 3-120 ..... ●●●		(SPECIFY COUPLING LOCATION)
				3-120 REQUIRES PT27 AND T3120 ADAPTER	CONSULT FACTORY FOR CUSTOM COLORS	REFER TO THE ACCESSORIES SECTION FOR OTHER OPTIONS
				2-90, 3-90, 4-90 REQUIRES PT27 AND T490 ADAPTER		

# ○ RNTS 6<sup>5</sup>/<sub>8</sub>" Round Straight Steel



## Specifications

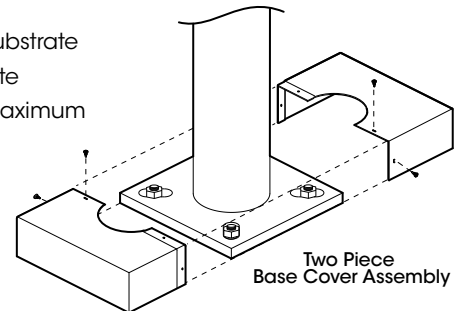
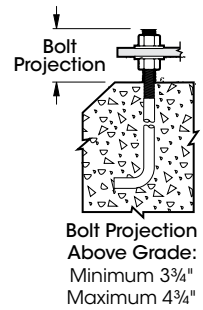
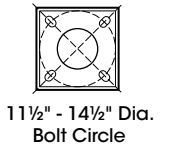
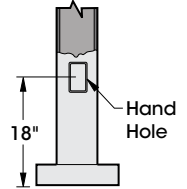
**Shaft** - 6<sup>5</sup>/<sub>8</sub>" diameter, fabricated from high grade structural steel tube. Shaft conforms to ASTM-A-501-68 specifications. Meets or exceeds minimum yield strength of 46,000 P.S.I. Wall thickness 3GA. (.234 wall) as specified. Reinforced hand hole is furnished with cover. Shaft is furnished with ground lug located inside pole on wall opposite hand hole.

**Base Plate** - Fabricated from structural quality hot rolled steel. Meets or exceeds minimum yield strength of 36,000 P.S.I. Base telescopes and is circumferentially welded to pole shaft. Slotted bolt holes provide 1" flexibility on either side of bolt circle centerline.

**Anchorage** - (4) anchor bolts fabricated from hot rolled steel bar. Minimum yield strength of 50,000 P.S.I. Bolts have "L" bend on one end and are threaded on the other. Bolts are fully galvanized and are furnished with two nuts and two washers.

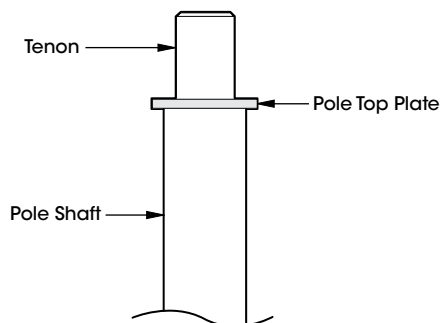
**Base Cover** - Fabricated from heavy gauge quality carbon steel. Two piece cover conceals base.

**Finish** - Electrostatically applied TGIC Polyester Powder Coat on substrate prepared with 20 PSI power wash at 140°F. Four step iron phosphate pretreatment for protection and paint adhesion. 400°F bake for maximum hardness and durability.



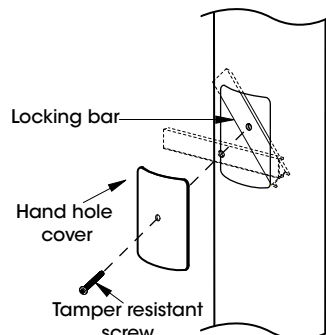
### Pole Top Mount

PT23 - 2<sup>3</sup>/<sub>8</sub>"X4" Tenon  
PT27 - 2<sup>7</sup>/<sub>8</sub>"X4" Tenon

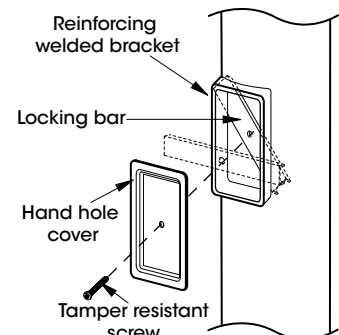


### Hand Hole Cover

Below 15' - Hand hole cover with tamper resistant bolt assembly



15' and up - Reinforced hand hole with tamper resistant bolt assembly



# ○ RNTS 6<sup>5</sup>/<sub>8</sub>"

## Specifications and Ordering

### Engineering Data

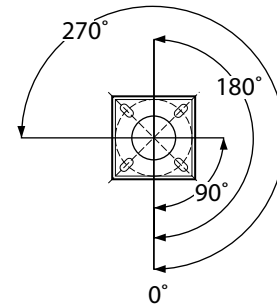
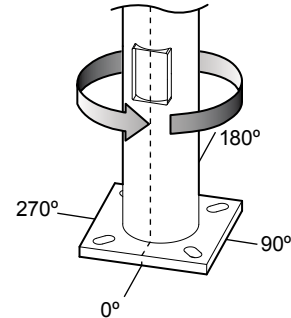
Maximum EPA - Square Feet

MODEL NUMBER	MAX. FIXTURE WEIGHT	100 MPH	90 MPH	80 MPH
RNTS 18658 - 3	400	32.4	41.8	75.1
RNTS 20658 - 3	350	26.2	34.6	51.0
RNTS 25658 - 3	325	20.8	27.1	35.2
RNTS 28658 - 3	400	16.0	20.8	27.1
RNTS 30658 - 3	375	17.2	16.5	21.6

All above design calculations are based on sustained wind forces plus additional 1.3 wind gust  
**(Example: Pole rated at 80 MPH withstands 104 MPH gusts)**

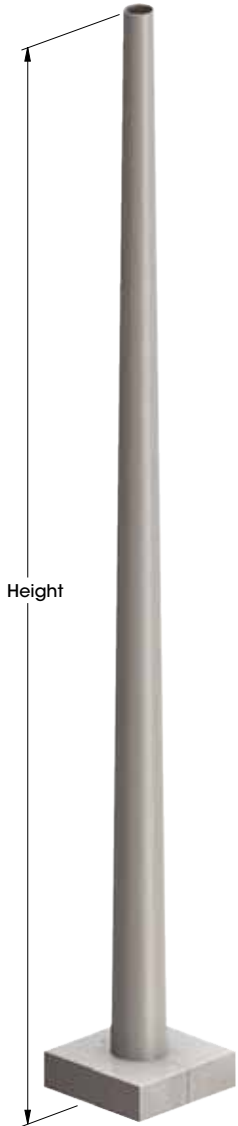
### Drilled Side Mount

Specify drilling location using codes below.



POLE MODEL NUMBER - RNTS 6 <sup>5</sup> / <sub>8</sub> "				MOUNTING	FINISH	OPTIONS		
	POLE HEIGHT	WALL THICKNESS	BOLT CIRCLE	ANCHORAGE	ARM MOUNT	STANDARD SMOOTH FINISH	RECEPTACLE	
<input type="checkbox"/>	RNTS 18658 - 3	18'	3	11 1/2"	1"X36"X4"	<input type="checkbox"/> PT23 2 3/8" X 4" TENON	<input type="checkbox"/> BLACK RAL-9005	<input type="checkbox"/> DUPLEX RECEPTACLE DUP
<input type="checkbox"/>	RNTS 20658 - 3	20'	3	11 1/2"	1"X36"X4"	<input type="checkbox"/> PT27 2 7/8" X 4" TENON	<input type="checkbox"/> WHITE RAL-9003	<input type="checkbox"/> GFI RECEPTACLE GFI
<input type="checkbox"/>	RNTS 25658 - 3	25'	3	13 1/2"	1 1/4"X42"X6"	<input type="checkbox"/> OTHER TENON MT _____	<input type="checkbox"/> GREY RAL-7004	<input type="checkbox"/> 3 WAY ADAPTER T3120
<input type="checkbox"/>	RNTS 28658 - 3	28'	3	13 1/2"	1 1/4"X42"X6"	DRILL MOUNT	<input type="checkbox"/> DARK BRONZE RAL-8019	<input type="checkbox"/> 4 WAY ADAPTER T490
<input type="checkbox"/>	RNTS 30658 - 3	30'	3	13 1/2"	1 1/4"X42"X6"	<input type="checkbox"/> 1 ..... ●	<input type="checkbox"/> GREEN RAL-6005	<input type="checkbox"/> ROUND BASE COVER RBC
						<input type="checkbox"/> 2-180 ..... ●●	ALL STEEL POLES SUPPLIED WITH SMOOTH FINISH	COUPLING
						<input type="checkbox"/> 2-90 ..... ●●		<input type="checkbox"/> 1/2" COUPLING CPLN1/2
						<input type="checkbox"/> 3-90 ..... ●●●		<input type="checkbox"/> 3/4" COUPLING CPLN3/4
						<input type="checkbox"/> 4-90 ..... ●●●●		<input type="checkbox"/> 2" COUPLING CPLN2
						<input type="checkbox"/> 3-120 ..... ●●●●		(SPECIFY COUPLING LOCATION)
						3-120 REQUIRES PT27 AND T3120 ADAPTER		
						2-90, 3-90, 4-90 REQUIRES PT27 AND T490 ADAPTER	CONSULT FACTORY FOR CUSTOM COLORS	REFER TO THE ACCESSORIES SECTION FOR OTHER OPTIONS

# Round Tapered Steel



## Specifications

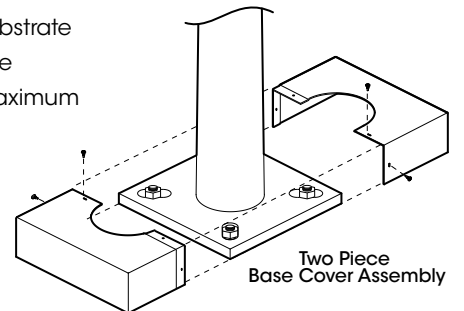
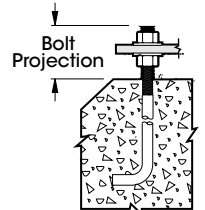
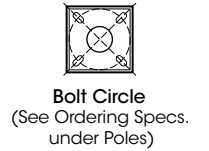
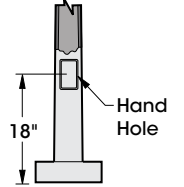
**Shaft** - One or two piece construction fabricated from coil stock. Weldable grade. Hot rolled commercial quality carbon steel. Guaranteed minimum yield strength 55,000 P.S.I. Shaft has uniform taper of approximately .14" per foot. Wall thickness 11 GA. (.120 wall) or 7 GA. (.180 wall) as specified. Flush reinforced hand hole is furnished with cover. Shaft is furnished with ground lug located inside pole on wall opposite hand hole.

**Base Plate** - Fabricated from structural quality hot rolled steel. Meets or exceeds minimum yield strength of 36,000 P.S.I. Base telescopes and is circumferentially welded to pole shaft. Slotted bolt holes provide 1" flexibility on either side of bolt circle centerline.

**Anchorage** - (4) anchor bolts fabricated from hot rolled steel bar. Minimum yield strength of 50,000 P.S.I. Bolts have "L" bend on one end and are threaded on the other. Bolts are fully galvanized and are furnished with two nuts and two washers.

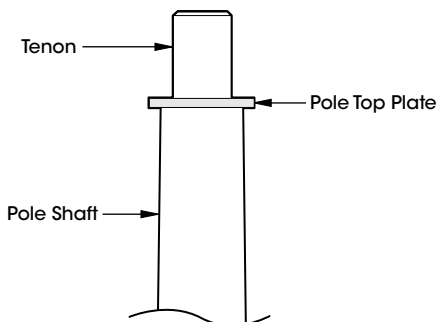
**Base Cover** - Fabricated from heavy gauge quality carbon steel. Two piece cover conceals base.

**Finish** - Electrostatically applied TGIC Polyester Powder Coat on substrate prepared with 20 PSI power wash at 140°F. Four step iron phosphate pretreatment for protection and paint adhesion. 400°F bake for maximum hardness and durability.



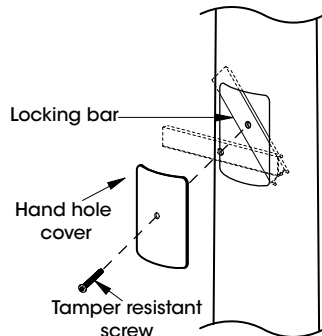
### Pole Top Mount

PT23 - 2<sup>3</sup>/<sub>8</sub>"X4" Tenon  
PT27 - 2<sup>7</sup>/<sub>8</sub>"X4" Tenon

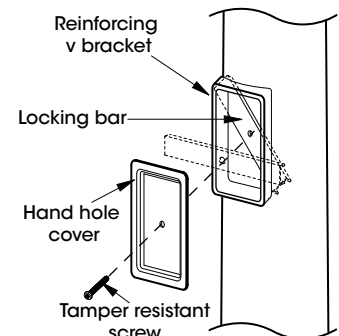


### Hand Hole Cover

Below 15' - Hand hole cover with tamper resistant bolt assembly



15' and up - Reinforced hand hole with tamper resistant bolt assembly



# Specifications and Ordering

## Engineering Data

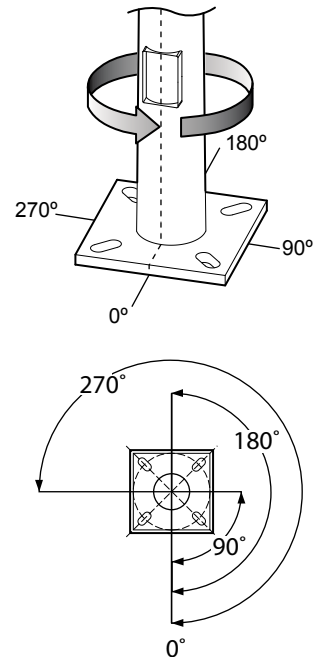
Maximum EPA - Square Feet

MODEL NUMBER	MAX. FIXTURE WEIGHT	100 MPH	90 MPH	80 MPH	70 MPH
RTS 20 - 11	375	10.7	13.1	17.5	23.2
RTS 25 - 11	325	11.8	14.3	18.7	24.4
RTS 30 - 11	425	10.2	12.5	17.1	22.4
RTS 35 - 11	375	10.1	12.3	17.0	22.2
RTS 40 - 11	350	8.6	10.8	15.5	20.9
RTS 40 - 7	550	15.6	18.9	24.7	30.6
RTS 45 - 11	350	8.2	10.6	15.9	21.1
RTS 45 - 7	550	13.2	16.5	21.3	28.1
RTS 50 - 11	275	6.3	8.5	11.3	15.1
RTS 50 - 7	325	8.3	10.1	12.7	16.2

All above design calculations are based on sustained wind forces plus additional 1.3 wind gust  
 (Example: Pole rated at 80 MPH withstands 104 MPH gusts)

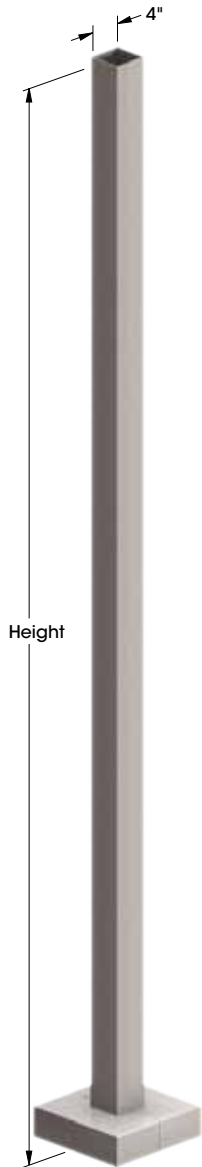
## Drilled Side Mount

Specify drilling location using codes below.



POLE MODEL NUMBER - RTS						MOUNTING	FINISH	OPTIONS
POLE HEIGHT	SHAFT SIZE	WALL THICKNESS	BOLT CIRCLE	ANCHORAGE		ARM MOUNT	STANDARD SMOOTH FINISH	RECEPTACLE
<input type="checkbox"/> RTS 20 - 11	20'	6.0X3.0	11	11½"	1"X36"X4"	<input type="checkbox"/> <b>PT23</b> 2⅝" X 4" TENON	<input type="checkbox"/> BLACK <b>RAL-9005</b>	<input type="checkbox"/> DUPLEX RECEPTACLE <b>DUP</b>
<input type="checkbox"/> RTS 25 - 11	25'	7.0X3.5	11	11½"	1"X36"X4"	<input type="checkbox"/> <b>PT27</b> 2⅞" X 4" TENON	<input type="checkbox"/> WHITE <b>RAL-9003</b>	<input type="checkbox"/> GFI RECEPTACLE <b>GFI</b>
<input type="checkbox"/> RTS 30 - 11	30'	8.0X4.0	11	11½"	1"X36"X4"	<input type="checkbox"/> OTHER TENON MT _____	<input type="checkbox"/> GREY <b>RAL-7004</b>	<input type="checkbox"/> 3 WAY ADAPTER <b>T3120</b>
<input type="checkbox"/> RTS 35 - 11	35'	8.5X3.5	11	11½"	1"X36"X4"	<b>DRILL MOUNT</b>	<input type="checkbox"/> DARK BRONZE <b>RAL-8019</b>	<input type="checkbox"/> 4 WAY ADAPTER <b>T490</b>
<input type="checkbox"/> RTS 40 - 11	40'	9.0X3.6	11	11½"	1"X36"X4"	<input type="checkbox"/> 1 .....	<input type="checkbox"/> GREEN <b>RAL-6005</b>	<b>COUPLING</b>
<input type="checkbox"/> RTS 40 - 7	40'	9.0X3.6	7	13½"	1¼"X42"X6"	<input type="checkbox"/> 2-180 .....	ALL STEEL POLES SUPPLIED WITH SMOOTH FINISH	<input type="checkbox"/> ½" COUPLING <b>CPLN1/2</b>
<input type="checkbox"/> RTS 45 - 11	45'	10.0X3.7	11	13½"	1¼"X42"X6"	<input type="checkbox"/> 2-90 .....		<input type="checkbox"/> ¾" COUPLING <b>CPLN3/4</b>
<input type="checkbox"/> RTS 45 - 7	45'	10.0X3.7	7	13½"	1¼"X42"X6"	<input type="checkbox"/> 3-90 .....		<input type="checkbox"/> 2" COUPLING <b>CPLN2</b>
<input type="checkbox"/> RTS 50 - 11	50'	10.0X3.0	11	13½"	1¼"X42"X6"	<input type="checkbox"/> 4-90 .....		(SPECIFY COUPLING LOCATION)
<input type="checkbox"/> RTS 50 - 7	50'	10.0X3.0	7	13½"	1¼"X42"X6"	<input type="checkbox"/> 3-120 .....		REFER TO THE ACCESSORIES SECTION FOR OTHER OPTIONS
<input type="checkbox"/> SPECIFY OTHER HEIGHTS _____						3-120 REQUIRES PT27 AND T3120 ADAPTER	CONSULT FACTORY FOR CUSTOM COLORS	
						2-90, 3-90, 4-90 REQUIRES PT27 AND T490 ADAPTER		

# □ SNTA 4" Square Straight Aluminum



## Specifications

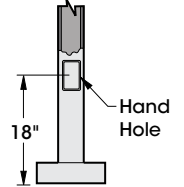
**Shaft** - 4" square, extruded from 6063 alloy aluminum tubing. Heat treated to produce a T6 temper. Shaft includes a hand hole furnished with cover. Shaft is furnished with ground lugs located on cast aluminum base plate.

**Base Plate** - Cast aluminum constructed of A-356 aluminum alloy heat treated to produce a T6 temper. Structurally engineered base includes eight heavy wall reinforcing vertical gussets. Base telescopes and is circumferentially welded to shaft at both the outside top and inside bottom of the base.

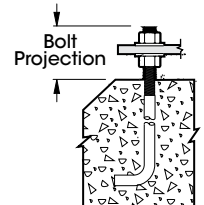
**Anchorage** - (4) anchor bolts fabricated from hot rolled steel bar. Minimum yield strength of 50,000 P.S.I. Bolts have "L" bend on one end and are threaded on the other. Bolts are fully galvanized and are furnished with two nuts and two washers.

**Base Cover** - Fabricated from heavy wall aluminum construction. Two piece cover conceals base.

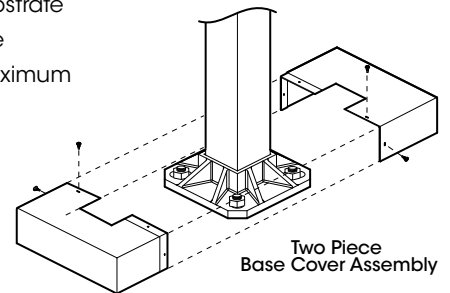
**Finish** - Electrostatically applied TGIC Polyester Powder Coat on substrate prepared with 20 PSI power wash at 140°F. Four step iron phosphate pretreatment for protection and paint adhesion. 400°F bake for maximum hardness and durability. Textured finish is standard.



10 1/4" Dia.  
Bolt Circle

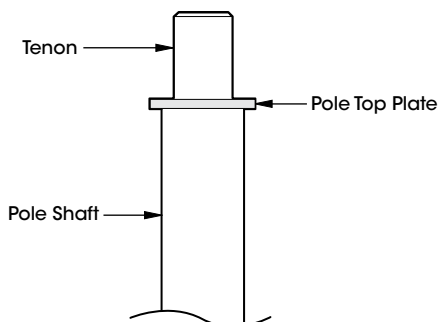


Bolt Projection  
Above Grade:  
Minimum 3/4"  
Maximum 3/4"



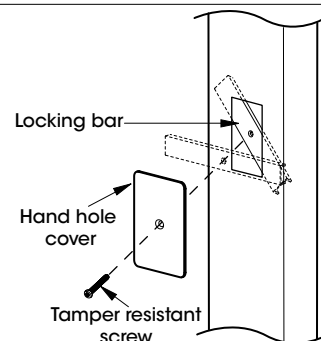
### Pole Top Mount

- PT23 - 2 3/8" X 4" Tenon
- PT27 - 2 7/8" X 4" Tenon



### Hand Hole Cover

Hand hole cover with  
tamper resistant bolt assembly



# □ SNTA 4"

## Specifications and Ordering

### Engineering Data

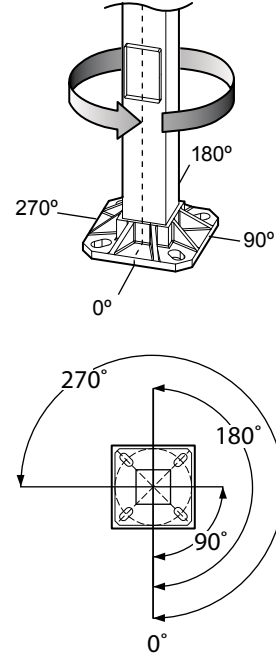
Maximum EPA - Square Feet

MODEL NUMBER	MAX. FIXTURE WEIGHT	100 MPH	90 MPH	80 MPH	70 MPH
SNTA 84 - 125	100	12.2	15.7	20.5	27.4
SNTA 104 - 125	100	8.2	11.1	14.6	20.0
SNTA 124 - 125	100	5.4	7.5	10.5	14.9
SNTA 144 - 125	100	3.3	5.0	7.5	11.2
SNTA 164 - 125	100	1.8	3.2	5.2	8.2
SNTA 164 - 188	200	4.4	6.6	9.4	13.7
SNTA 184 - 125	100	N/A	1.7	3.5	6.2
SNTA 184 - 188	125	2.9	4.7	7.1	11.0
SNTA 204 - 188	125	1.4	2.9	5.1	8.3

All above design calculations are based on sustained wind forces plus additional 1.3 wind gust  
 (Example: Pole rated at 80 MPH withstands 104 MPH gusts)

### Drilled Side Mount

Specify drilling location using codes below.

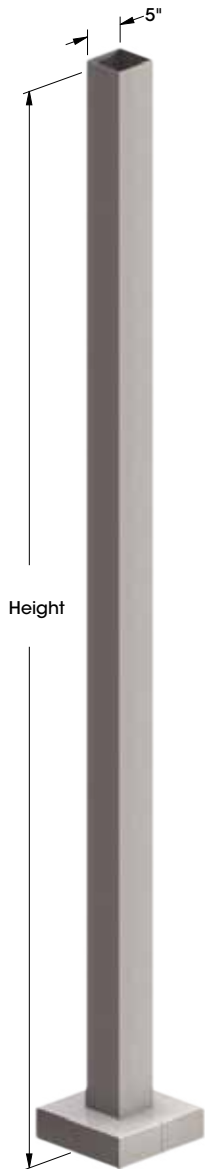


POLE MODEL NUMBER - SNTA 4"	MOUNTING				FINISH	OPTIONS	
	POLE HEIGHT	WALL THICKNESS	BOLT CIRCLE	ANCHORAGE			
□ SNTA 84 - 125	8'	.125	10 1/4"	3/4"X18"X3"	STANDARD TEXTURED FINISH  <input type="checkbox"/> BLACK RAL-9005-T <input type="checkbox"/> WHITE RAL-9003-T <input type="checkbox"/> GREY RAL-7004-T <input type="checkbox"/> DARK BRONZE RAL-8019-T <input type="checkbox"/> GREEN RAL-6005-T  FOR SMOOTH FINISH REMOVE SUFFIX "T" (EXAMPLE: RAL-9005)  CONSULT FACTORY FOR CUSTOM COLORS	<input type="checkbox"/> ARM MOUNT <input type="checkbox"/> PT23 2 7/8" X 4" TENON <input type="checkbox"/> PT27 2 7/8" X 4" TENON <input type="checkbox"/> OTHER TENON MT _____  <input type="checkbox"/> DRILL MOUNT <input type="checkbox"/> 1 ..... <input type="checkbox"/> 2-180 ..... <input type="checkbox"/> 2-90 ..... <input type="checkbox"/> 3-90 ..... <input type="checkbox"/> 4-90 ..... <input type="checkbox"/> 3-120 .....  3-120 REQUIRES PT27 AND T3120 ADAPTER	<input type="checkbox"/> RECEPTACLE <input type="checkbox"/> DUPLEX RECEPTACLE DUP <input type="checkbox"/> GFI RECEPTACLE GFI <input type="checkbox"/> 3 WAY ADAPTER T3120  <input type="checkbox"/> COUPLING <input type="checkbox"/> 1/2" COUPLING CPLN1/2 <input type="checkbox"/> 3/4" COUPLING CPLN3/4 <input type="checkbox"/> 2" COUPLING CPLN2 (SPECIFY COUPLING LOCATION)
□ SNTA 104 - 125	10'	.125	10 1/4"	3/4"X18"X3"			
□ SNTA 124 - 125	12'	.125	10 1/4"	3/4"X18"X3"			
□ SNTA 144 - 125	14'	.125	10 1/4"	3/4"X18"X3"			
□ SNTA 164 - 125	16'	.125	10 1/4"	3/4"X24"X3"			
□ SNTA 164 - 188	16'	.188	10 1/4"	3/4"X24"X3"			
□ SNTA 184 - 125	18'	.125	10 1/4"	3/4"X24"X3"			
□ SNTA 184 - 188	18'	.188	10 1/4"	3/4"X24"X3"			
□ SNTA 204 - 188	20'	.188	10 1/4"	3/4"X24"X3"			



# □ SNTA 5"

## Square Straight Aluminum



### Specifications

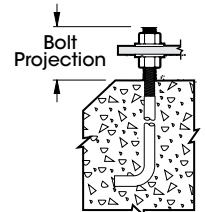
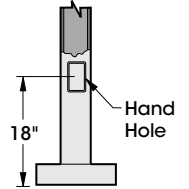
**Shaft** - 5" square, extruded from 6063 alloy aluminum tubing. Heat treated to produce a T6 temper. Shaft includes a hand hole furnished with cover. Shaft is furnished with ground lugs located on cast aluminum base plate.

**Base Plate** - Cast aluminum constructed of A-356 aluminum alloy heat treated to produce a T6 temper. Structurally engineered base includes eight heavy wall reinforcing vertical gussets. Base telescopes and is circumferentially welded to shaft at both the outside top and inside bottom of the base.

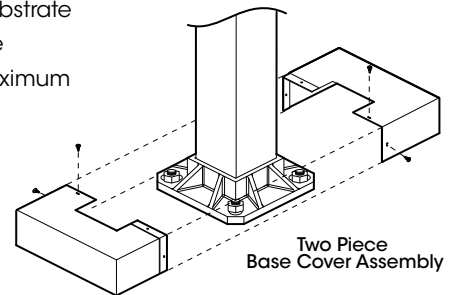
**Anchorage** - (4) anchor bolts fabricated from hot rolled steel bar. Minimum yield strength of 50,000 P.S.I. Bolts have "L" bend on one end and are threaded on the other. Bolts are fully galvanized and are furnished with two nuts and two washers.

**Base Cover** - Fabricated from heavy wall aluminum construction. Two piece cover conceals base.

**Finish** - Electrostatically applied TGIC Polyester Powder Coat on substrate prepared with 20 PSI power wash at 140°F. Four step iron phosphate pretreatment for protection and paint adhesion. 400°F bake for maximum hardness and durability. Textured finish is standard.

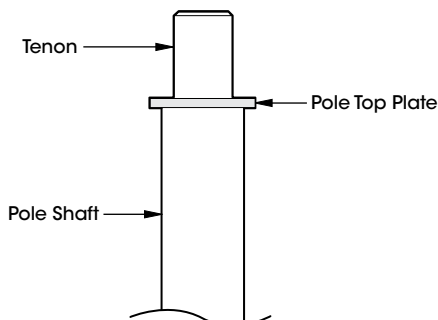


**Bolt Projection Above Grade:**  
Minimum 3/4"  
Maximum 3/4"



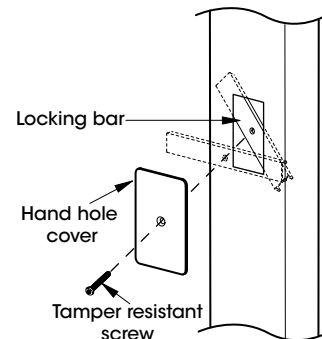
### Pole Top Mount

- PT23 - 2<sup>3</sup>/<sub>8</sub>"X4" Tenon
- PT27 - 2<sup>7</sup>/<sub>8</sub>"X4" Tenon



### Hand Hole Cover

Hand hole cover with tamper resistant bolt assembly



# □ SNTA 5"

## Specifications and Ordering

### Engineering Data

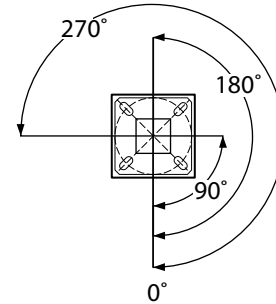
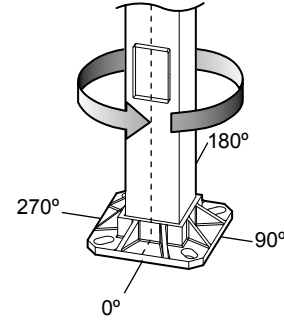
Maximum EPA - Square Feet

MODEL NUMBER	MAX. FIXTURE WEIGHT	100 MPH	90 MPH	80 MPH	70 MPH
SNTA 125 - 125	150	6.6	8.1	10.4	12.8
SNTA 145 - 125	100	5.1	6.3	8.3	10.0
SNTA 165 - 125	100	3.5	5.0	6.2	7.6
SNTA 185 - 188	200	6.5	9.6	13.4	19.5
SNTA 205 - 188	200	4.2	6.9	10.3	15.5
SNTA 255 - 188	100	N/A	1.9	4.9	8.7

All above design calculations are based on sustained wind forces plus additional 1.3 wind gust  
**(Example: Pole rated at 80 MPH withstands 104 MPH gusts)**

### Drilled Side Mount

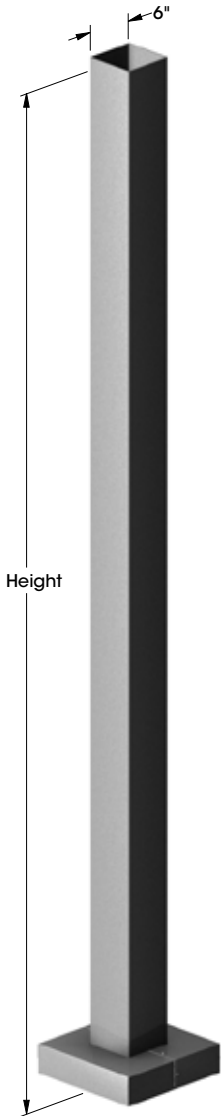
Specify drilling location using codes below.



POLE MODEL NUMBER - SNTA 5"					MOUNTING	FINISH	OPTIONS
	POLE HEIGHT	WALL THICKNESS	BOLT CIRCLE	ANCHORAGE	ARM MOUNT	STANDARD TEXTURED FINISH	RECEPTACLE
<input type="checkbox"/>	SNTA 125 - 125	12'	.125	1 1/4"	3/4"X24"X3"	<input type="checkbox"/> BLACK RAL-9005-T	<input type="checkbox"/> DUPLEX RECEPTACLE DUP
<input type="checkbox"/>	SNTA 145 - 125	14'	.125	1 1/4"	3/4"X24"X3"	<input type="checkbox"/> WHITE RAL-9003-T	<input type="checkbox"/> GFI RECEPTACLE GFI
<input type="checkbox"/>	SNTA 165 - 125	16'	.125	1 1/4"	3/4"X24"X3"	<input type="checkbox"/> GREY RAL-7004-T	<input type="checkbox"/> 3 WAY ADAPTER T3120
<input type="checkbox"/>	SNTA 185 - 188	18'	.188	1 1/4"	3/4"X24"X3"	<input type="checkbox"/> DARK BRONZE RAL-8019-T	COUPLING
<input type="checkbox"/>	SNTA 205 - 188	20'	.188	1 1/4"	3/4"X24"X3"	<input type="checkbox"/> GREEN RAL-6005-T	<input type="checkbox"/> 1/2" COUPLING CPLN1/2
<input type="checkbox"/>	SNTA 255 - 188	25'	.188	1 1/4"	3/4"X24"X3"	FOR SMOOTH FINISH REMOVE SUFFIX "T" (EXAMPLE: RAL-9005)	<input type="checkbox"/> 3/4" COUPLING CPLN3/4
					DRILL MOUNT		<input type="checkbox"/> 2" COUPLING CPLN2
					<input type="checkbox"/> 1 .....		(SPECIFY COUPLING LOCATION)
					<input type="checkbox"/> 2-180 .....		
					<input type="checkbox"/> 2-90 .....		
					<input type="checkbox"/> 3-90 .....		
					<input type="checkbox"/> 4-90 .....		
					<input type="checkbox"/> 3-120 .....		
					3-120 REQUIRES PT27 AND T3120 ADAPTER		
						CONSULT FACTORY FOR CUSTOM COLORS	REFER TO THE ACCESSORIES SECTION FOR OTHER OPTIONS

# □ SNTA 6"

## Square Straight Aluminum



### Specifications

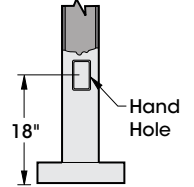
**Shaft** - 6" square, extruded from 6063 alloy aluminum tubing. Heat treated to produce a T6 temper. Shaft includes a hand hole furnished with cover. Shaft is furnished with ground lugs located on cast aluminum base plate.

**Base Plate** - Cast aluminum constructed of A-356 aluminum alloy heat treated to produce a T6 temper. Structurally engineered base includes eight heavy wall reinforcing vertical gussets. Base telescopes and is circumferentially welded to shaft at both the outside top and inside bottom of the base.

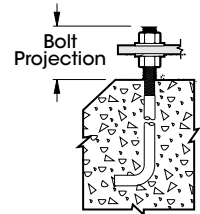
**Anchorage** - (4) anchor bolts fabricated from hot rolled steel bar. Minimum yield strength of 50,000 P.S.I. Bolts have "L" bend on one end and are threaded on the other. Bolts are fully galvanized and are furnished with two nuts and two washers.

**Base Cover** - Fabricated from heavy wall aluminum construction. Two piece cover conceals base.

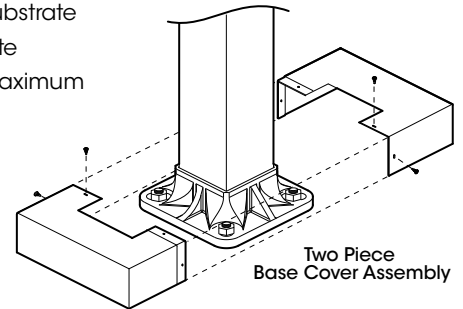
**Finish** - Electrostatically applied TGIC Polyester Powder Coat on substrate prepared with 20 PSI power wash at 140°F. Four step iron phosphate pretreatment for protection and paint adhesion. 400°F bake for maximum hardness and durability. Textured finish is standard.



13" Dia.  
Bolt Circle

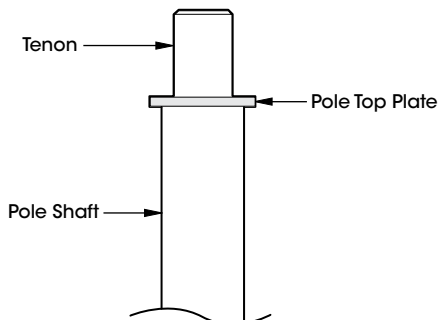


Bolt Projection  
Above Grade:  
Minimum 3/4"  
Maximum 3/4"



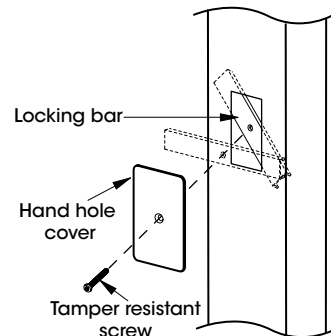
### Pole Top Mount

PT23 - 2<sup>3</sup>/<sub>8</sub>"X4" Tenon  
PT27 - 2<sup>7</sup>/<sub>8</sub>"X4" Tenon



### Hand Hole Cover

Hand hole cover with  
tamper resistant bolt assembly



# □ SNTA 6"

## Specifications and Ordering

### Engineering Data

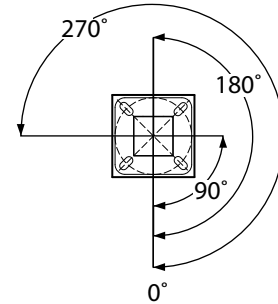
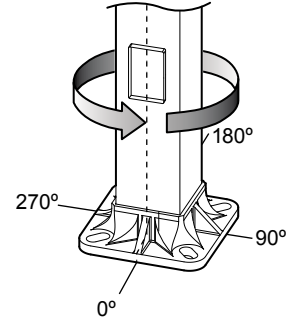
Maximum EPA - Square Feet

MODEL NUMBER	MAX. FIXTURE WEIGHT	100 MPH	90 MPH	80 MPH	70 MPH
SNTA 206 - 250	250	12.7	17.6	24.5	34.6
SNTA 206 - 188	250	6.8	10.8	14.4	22.2
SNTA 256 - 250	250	5.7	9.4	13.7	21.4
SNTA 256 - 188	200	2.0	5.0	8.3	14.1
SNTA 306 - 250	250	N/A	4.0	7.1	13.7
SNTA 306 - 188	150	N/A	N/A	3.6	8.1

All above design calculations are based on sustained wind forces plus additional 1.3 wind gust  
**(Example: Pole rated at 80 MPH withstands 104 MPH gusts)**

### Drilled Side Mount

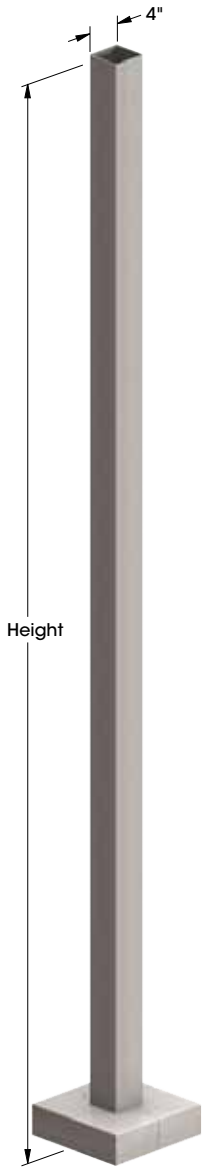
Specify drilling location using codes below.



POLE MODEL NUMBER - SNTA 6"	POLE MODEL NUMBER - SNTA 6"				MOUNTING	FINISH	OPTIONS
	POLE HEIGHT	WALL THICKNESS	BOLT CIRCLE	ANCHORAGE	ARM MOUNT	STANDARD TEXTURED FINISH	RECEPTACLE
<input type="checkbox"/> SNTA 206 - 250	20'	.250	13"	1"X36"X4"	<input type="checkbox"/> <b>PT23</b> 2 3/8" X 4" TENON	<input type="checkbox"/> BLACK <b>RAL-9005-T</b>	<input type="checkbox"/> DUPLEX RECEPTACLE <b>DUP</b>
<input type="checkbox"/> SNTA 206 - 188	20'	.188	13"	1"X36"X4"	<input type="checkbox"/> <b>PT27</b> 2 7/8" X 4" TENON	<input type="checkbox"/> WHITE <b>RAL-9003-T</b>	<input type="checkbox"/> GFI RECEPTACLE <b>GFI</b>
<input type="checkbox"/> SNTA 256 - 250	25'	.250	13"	1"X36"X4"	<input type="checkbox"/> OTHER TENON MT _____	<input type="checkbox"/> GREY <b>RAL-7004-T</b>	<input type="checkbox"/> 3 WAY ADAPTER <b>T3120</b>
<input type="checkbox"/> SNTA 256 - 188	25'	.188	13"	1"X36"X4"	DRILL MOUNT	<input type="checkbox"/> DARK BRONZE <b>RAL-8019-T</b>	COUPLING
<input type="checkbox"/> SNTA 306 - 250	30'	.250	13"	1"X36"X4"	<input type="checkbox"/> 1 .....	<input type="checkbox"/> GREEN <b>RAL-6005-T</b>	<input type="checkbox"/> 1/2" COUPLING <b>CPLN1/2</b>
<input type="checkbox"/> SNTA 306 - 188	30'	.188	13"	1"X36"X4"	<input type="checkbox"/> 2-180 .....	FOR SMOOTH FINISH REMOVE SUFFIX "T" (EXAMPLE: RAL-9005)	<input type="checkbox"/> 3/4" COUPLING <b>CPLN3/4</b>
					<input type="checkbox"/> 2-90 .....	CONSULT FACTORY FOR CUSTOM COLORS	<input type="checkbox"/> 2" COUPLING <b>CPLN2</b>
					<input type="checkbox"/> 3-90 .....		(SPECIFY COUPLING LOCATION)
					<input type="checkbox"/> 4-90 .....		
					<input type="checkbox"/> 3-120 .....		
					3-120 REQUIRES PT27 AND T3120 ADAPTER		
							REFER TO THE ACCESSORIES SECTION FOR OTHER OPTIONS

# □ SNTAR 4"

## Square Round Corner Straight Aluminum



### Specifications

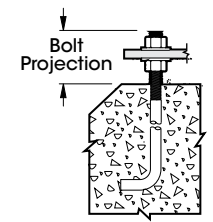
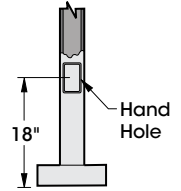
**Shaft** - 4" square (round corner), extruded from 6063 alloy aluminum tubing. Heat treated to produce a T6 temper. Shaft includes a hand hole furnished with cover. Shaft is furnished with ground lugs located on cast aluminum base plate.

**Base Plate** - Cast aluminum constructed of A-356 aluminum alloy heat treated to produce a T6 temper. Structurally engineered base includes eight heavy wall reinforcing vertical gussets. Base telescopes and is circumferentially welded to shaft at both the outside top and inside bottom of the base.

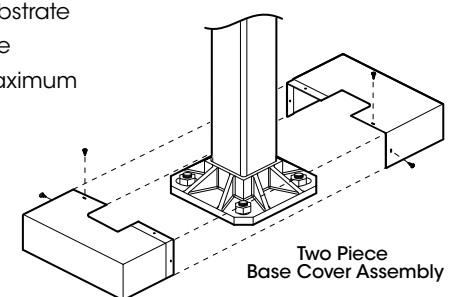
**Anchorage** - (4) anchor bolts fabricated from hot rolled steel bar. Minimum yield strength of 50,000 P.S.I. Bolts have "L" bend on one end and are threaded on the other. Bolts are fully galvanized and are furnished with two nuts and two washers.

**Base Cover** - Fabricated from heavy wall aluminum construction. Two piece cover conceals base.

**Finish** - Electrostatically applied TGIC Polyester Powder Coat on substrate prepared with 20 PSI power wash at 140°F. Four step iron phosphate pretreatment for protection and paint adhesion. 400°F bake for maximum hardness and durability. Textured finish is standard.

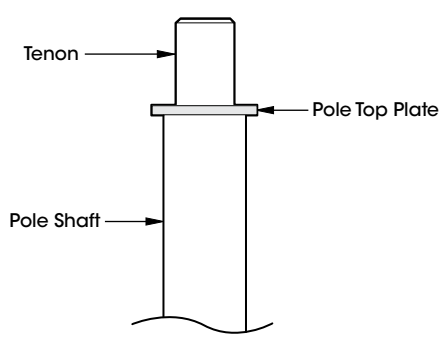


**Bolt Projection Above Grade:**  
Minimum 3 1/4"  
Maximum 3 3/4"



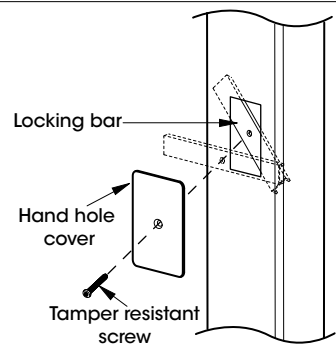
### Pole Top Mount

- PT23 - 2 3/8" X 4" Tenon
- PT27 - 2 7/8" X 4" Tenon



### Hand Hole Cover

Hand hole cover with tamper resistant bolt assembly



# □ SNTAR 4"

## Specifications and Ordering

### Engineering Data

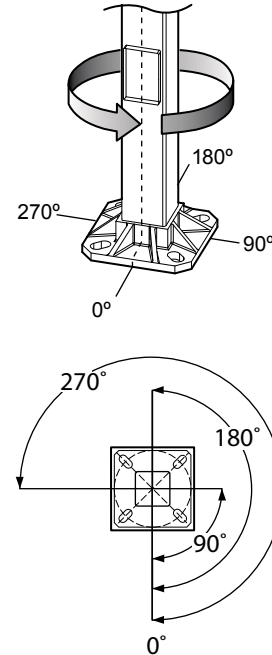
Maximum EPA - Square Feet

MODEL NUMBER	MAX. FIXTURE WEIGHT	100 MPH	90 MPH	80 MPH	70 MPH
SNTAR 84 - 125	100	15.7	20.0	26.0	33.8
SNTAR 104 - 125	100	11.2	14.6	19.2	25.2
SNTAR 124 - 125	100	8.0	10.8	14.6	19.7
SNTAR 154 - 125	100	3.5	5.2	7.6	11.1
SNTAR 154 - 188	100	7.0	9.5	13.0	17.8
SNTAR 184 - 125	100	1.1	2.5	4.4	7.7
SNTAR 184 - 188	400	3.7	5.7	8.4	12.3
SNTAR 204 - 188	450	2.0	3.8	6.2	10.1

All above design calculations are based on sustained wind forces plus additional 1.3 wind gust  
 (Example: Pole rated at 80 MPH withstands 104 MPH gusts)

### Drilled Side Mount

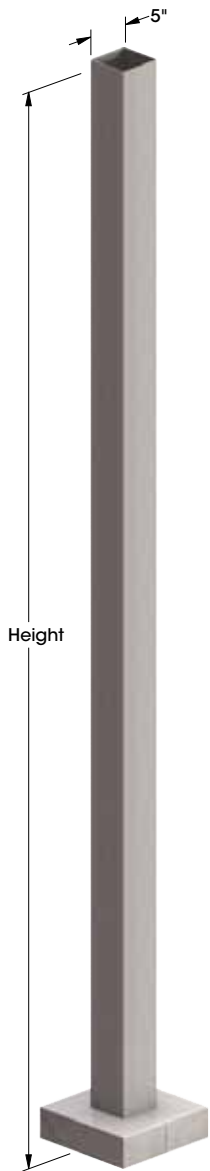
Specify drilling location using codes below.



POLE MODEL NUMBER - SNTAR 4"					MOUNTING	FINISH	OPTIONS
	POLE HEIGHT	WALL THICKNESS	BOLT CIRCLE	ANCHORAGE	ARM MOUNT	STANDARD TEXTURED FINISH	RECEPTACLE
<input type="checkbox"/> SNTAR 84 - 125	8'	.125	10¼"	¾"X18"X3"	<input type="checkbox"/> <b>PT23</b> 2⅜" X 4" TENON	<input type="checkbox"/> BLACK <b>RAL-9005-T</b>	<input type="checkbox"/> DUPLEX RECEPTACLE <b>DUP</b>
<input type="checkbox"/> SNTAR 104 - 125	10'	.125	10¼"	¾"X18"X3"	<input type="checkbox"/> <b>PT27</b> 2⅞" X 4" TENON	<input type="checkbox"/> WHITE <b>RAL-9003-T</b>	<input type="checkbox"/> GFI RECEPTACLE <b>GFI</b>
<input type="checkbox"/> SNTAR 124 - 125	12'	.125	10¼"	¾"X18"X3"	<input type="checkbox"/> OTHER TENON MT _____	<input type="checkbox"/> GREY <b>RAL-7004-T</b>	<input type="checkbox"/> 3 WAY ADAPTER <b>T3120</b>
<input type="checkbox"/> SNTAR 154 - 125	15'	.125	10¼"	¾"X24"X3"	DRILL MOUNT	<input type="checkbox"/> DARK BRONZE <b>RAL-8019-T</b>	COUPLING
<input type="checkbox"/> SNTAR 154 - 188	15'	.188	10¼"	¾"X24"X3"	<input type="checkbox"/> 1 .....	<input type="checkbox"/> GREEN <b>RAL-6005-T</b>	<input type="checkbox"/> ½" COUPLING <b>CPLN1/2</b>
<input type="checkbox"/> SNTAR 184 - 125	18'	.125	10¼"	¾"X24"X3"	<input type="checkbox"/> 2-180 .....	FOR SMOOTH FINISH REMOVE SUFFIX "T" (EXAMPLE: RAL-9005)	<input type="checkbox"/> ¾" COUPLING <b>CPLN3/4</b>
<input type="checkbox"/> SNTAR 184 - 188	18'	.188	10¼"	¾"X24"X3"	<input type="checkbox"/> 2-90 .....		<input type="checkbox"/> 2" COUPLING <b>CPLN2</b>
<input type="checkbox"/> SNTAR 204 - 188	20'	.188	10¼"	¾"X24"X3"	<input type="checkbox"/> 3-90 .....		(SPECIFY COUPLING LOCATION)
					<input type="checkbox"/> 4-90 .....		
					<input type="checkbox"/> 3-120 .....		
					3-120 REQUIRES PT27 AND T3120 ADAPTER		
						CONSULT FACTORY FOR CUSTOM COLORS	REFER TO THE ACCESSORIES SECTION FOR OTHER OPTIONS

# □ SNTAR 5"

## Square Round Corner Straight Aluminum



### Specifications

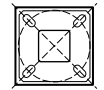
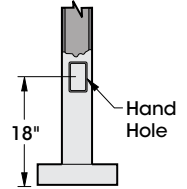
**Shaft** - 5" square (round corner), extruded from 6063 alloy aluminum tubing. Heat treated to produce a T6 temper. Shaft includes a hand hole furnished with cover. Shaft is furnished with ground lugs located on cast aluminum base plate.

**Base Plate** - Cast aluminum constructed of A-356 aluminum alloy heat treated to produce a T6 temper. Structurally engineered base includes eight heavy wall reinforcing vertical gussets. Base telescopes and is circumferentially welded to shaft at both the outside top and inside bottom of the base.

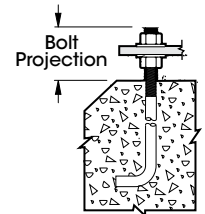
**Anchorage** - (4) anchor bolts fabricated from hot rolled steel bar. Minimum yield strength of 50,000 P.S.I. Bolts have "L" bend on one end and are threaded on the other. Bolts are fully galvanized and are furnished with two nuts and two washers.

**Base Cover** - Fabricated from heavy wall aluminum construction. Two piece cover conceals base.

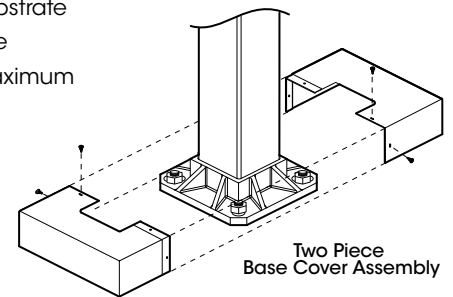
**Finish** - Electrostatically applied TGIC Polyester Powder Coat on substrate prepared with 20 PSI power wash at 140°F. Four step iron phosphate pretreatment for protection and paint adhesion. 400°F bake for maximum hardness and durability. Textured finish is standard.



11 3/4" Dia.  
Bolt Circle

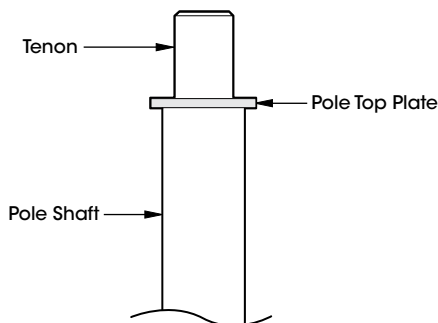


Bolt Projection  
Above Grade:  
Minimum 3 1/4"  
Maximum 3 3/4"



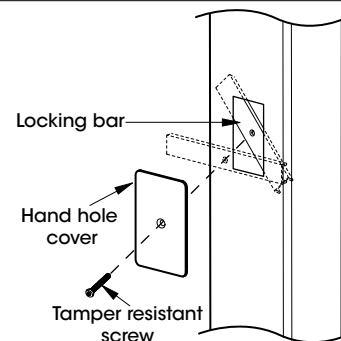
### Pole Top Mount

PT23 - 2 3/8" X 4" Tenon  
PT27 - 2 7/8" X 4" Tenon



### Hand Hole Cover

Hand hole cover with  
tamper resistant bolt assembly



# □ SNTAR 5"

## Specifications and Ordering

### Engineering Data

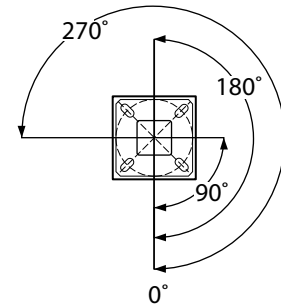
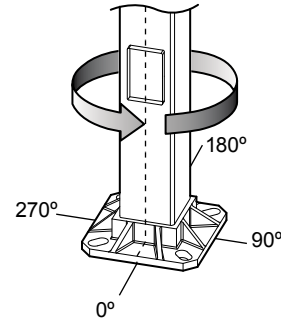
Maximum EPA - Square Feet

MODEL NUMBER	MAX. FIXTURE WEIGHT	100 MPH	90 MPH	80 MPH	70 MPH
SNTAR 155 - 125	100	7.2	9.9	13.8	19.2
SNTAR 185 - 125	100	3.8	6.0	9.2	14.1
SNTAR 185 - 188	150	8.2	11.5	16.1	22.7
SNTAR 205 - 125	100	1.9	3.9	6.7	11.5
SNTAR 205 - 188	150	5.8	8.7	12.8	18.8
SNTAR 255 - 188	150	1.0	3.2	6.3	12.4

All above design calculations are based on sustained wind forces plus additional 1.3 wind gust  
**(Example: Pole rated at 80 MPH withstands 104 MPH gusts)**

### Drilled Side Mount

Specify drilling location using codes below.

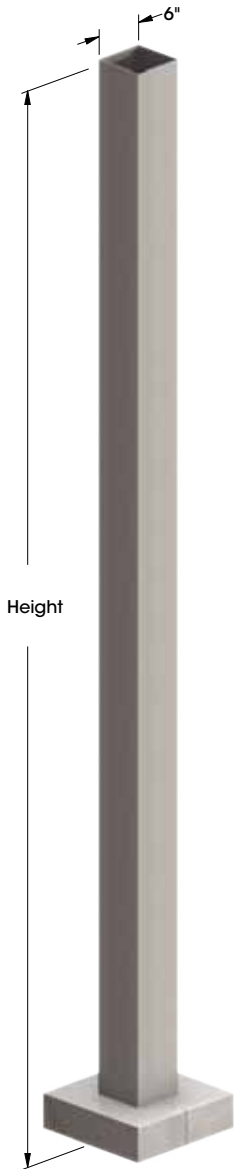


POLE MODEL NUMBER - SNTAR 5"					MOUNTING	FINISH	OPTIONS
	POLE HEIGHT	WALL THICKNESS	BOLT CIRCLE	ANCHORAGE	ARM MOUNT	STANDARD TEXTURED FINISH	RECEPTACLE
<input type="checkbox"/> SNTAR 155 - 125	15'	.125	11 3/4"	3/4"X24"X3"	<input type="checkbox"/> <b>PT23</b> 2 3/8" X 4" TENON	<input type="checkbox"/> BLACK <b>RAL-9005-T</b>	<input type="checkbox"/> DUPLEX RECEPTACLE <b>DUP</b>
<input type="checkbox"/> SNTAR 185 - 125	18'	.125	11 3/4"	3/4"X24"X3"	<input type="checkbox"/> <b>PT27</b> 2 7/8" X 4" TENON	<input type="checkbox"/> WHITE <b>RAL-9003-T</b>	<input type="checkbox"/> GFI RECEPTACLE <b>GFI</b>
<input type="checkbox"/> SNTAR 185 - 188	18'	.188	11 3/4"	3/4"X24"X3"	<input type="checkbox"/> OTHER TENON MT _____	<input type="checkbox"/> GREY <b>RAL-7004-T</b>	<input type="checkbox"/> 3 WAY ADAPTER <b>T3120</b>
<input type="checkbox"/> SNTAR 205 - 125	20'	.125	11 3/4"	3/4"X24"X3"	DRILL MOUNT	<input type="checkbox"/> DARK BRONZE <b>RAL-8019-T</b>	COUPLING
<input type="checkbox"/> SNTAR 205 - 188	20'	.188	11 3/4"	3/4"X24"X3"	<input type="checkbox"/> 1 ..... ●	<input type="checkbox"/> GREEN <b>RAL-6005-T</b>	<input type="checkbox"/> 1/2" COUPLING <b>CPLN1/2</b>
<input type="checkbox"/> SNTAR 255 - 188	25'	.188	11 3/4"	3/4"X24"X3"	<input type="checkbox"/> 2-180 ..... ●●	FOR SMOOTH FINISH REMOVE SUFFIX "T" (EXAMPLE: RAL-9005)	<input type="checkbox"/> 3/4" COUPLING <b>CPLN3/4</b>
					<input type="checkbox"/> 2-90 ..... ●●	CONSULT FACTORY FOR CUSTOM COLORS	<input type="checkbox"/> 2" COUPLING <b>CPLN2</b>
					<input type="checkbox"/> 3-90 ..... ●●●		(SPECIFY COUPLING LOCATION)
					<input type="checkbox"/> 4-90 ..... ●●●●		
					<input type="checkbox"/> 3-120 ..... ●●●		
					3-120 REQUIRES PT27 AND T3120 ADAPTER		REFER TO THE ACCESSORIES SECTION FOR OTHER OPTIONS



# □ SNTAR 6"

## Square Round Corner Straight Aluminum



### Specifications

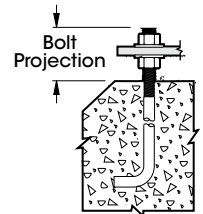
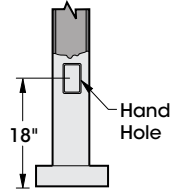
**Shaft** - 6" square (round corner), extruded from 6063 alloy aluminum tubing. Heat treated to produce a T6 temper. Shaft includes a hand hole furnished with cover. Shaft is furnished with ground lugs located on cast aluminum base plate.

**Base Plate** - Cast aluminum constructed of A-356 aluminum alloy heat treated to produce a T6 temper. Structurally engineered base includes eight heavy wall reinforcing vertical gussets. Base telescopes and is circumferentially welded to shaft at both the outside top and inside bottom of the base.

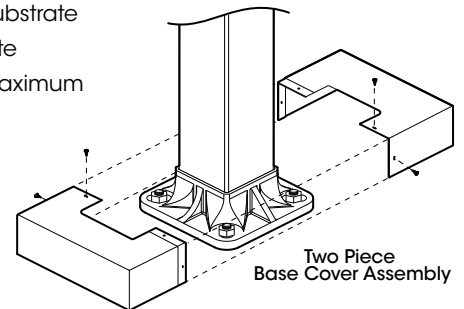
**Anchorage** - (4) anchor bolts fabricated from hot rolled steel bar. Minimum yield strength of 50,000 P.S.I. Bolts have "L" bend on one end and are threaded on the other. Bolts are fully galvanized and are furnished with two nuts and two washers.

**Base Cover** - Fabricated from heavy wall aluminum construction. Two piece cover conceals base.

**Finish** - Electrostatically applied TGIC Polyester Powder Coat on substrate prepared with 20 PSI power wash at 140°F. Four step iron phosphate pretreatment for protection and paint adhesion. 400°F bake for maximum hardness and durability. Textured finish is standard.

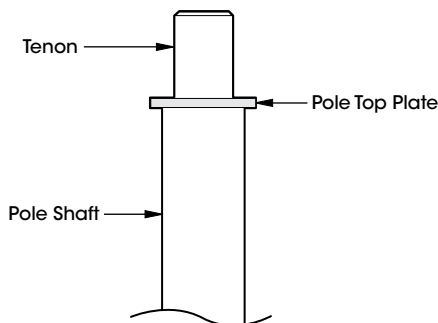


**Bolt Projection Above Grade:**  
Minimum 3/4"  
Maximum 3/4"



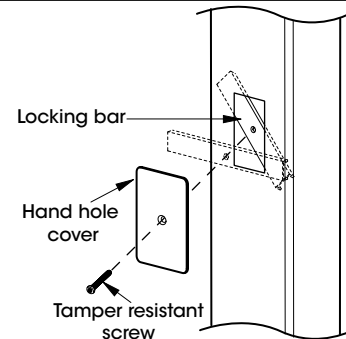
### Pole Top Mount

PT23 - 2 3/8" X 4" Tenon  
PT27 - 2 7/8" X 4" Tenon



### Hand Hole Cover

Hand hole cover with tamper resistant bolt assembly



# □ SNTAR 6"

## Specifications and Ordering

### Engineering Data

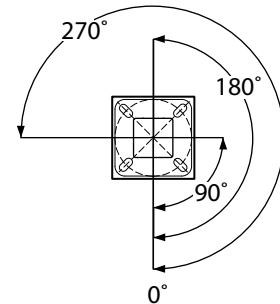
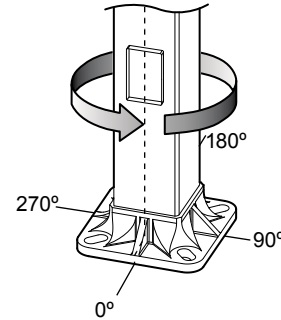
Maximum EPA - Square Feet

MODEL NUMBER	MAX. FIXTURE WEIGHT	100 MPH	90 MPH	80 MPH	70 MPH
<b>SNTAR 256 - 188</b>	150	4.2	7.6	12.4	20.2
<b>SNTAR 306 - 188</b>	150	N/A	1.6	5.1	16.2
<b>SNTAR 306 - 250</b>	150	2.6	5.9	10.5	18.9
<b>SNTAR 356 - 250</b>	150	N/A	N/A	4.3	20.6

All above design calculations are based on sustained wind forces plus additional 1.3 wind gust  
 (Example: Pole rated at 80 MPH withstands 104 MPH gusts)

### Drilled Side Mount

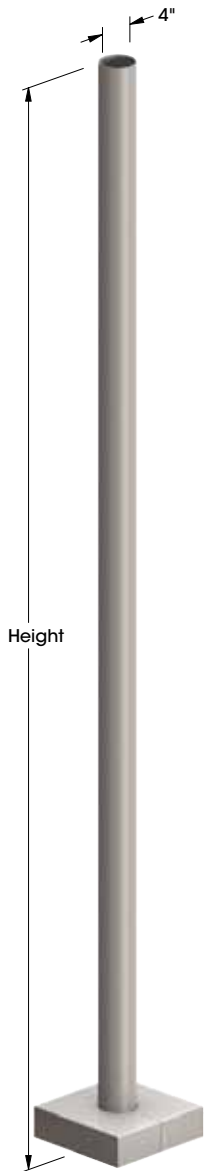
Specify drilling location using codes below.



POLE MODEL NUMBER - SNTAR 6"					MOUNTING	FINISH	OPTIONS
	POLE HEIGHT	WALL THICKNESS	BOLT CIRCLE	ANCHORAGE	ARM MOUNT	STANDARD TEXTURED FINISH	RECEPTACLE
<input type="checkbox"/> <b>SNTAR 256 - 188</b>	25'	.188	13"	1"X36"X4"	<input type="checkbox"/> <b>PT23</b> 2 3/8" X 4" TENON	<input type="checkbox"/> BLACK <b>RAL-9005-T</b>	<input type="checkbox"/> DUPLEX RECEPTACLE <b>DUP</b>
<input type="checkbox"/> <b>SNTAR 306 - 188</b>	30'	.188	13"	1"X36"X4"	<input type="checkbox"/> <b>PT27</b> 2 7/8" X 4" TENON	<input type="checkbox"/> WHITE <b>RAL-9003-T</b>	<input type="checkbox"/> GFI RECEPTACLE <b>GFI</b>
<input type="checkbox"/> <b>SNTAR 306 - 250</b>	30'	.250	13"	1"X36"X4"	<input type="checkbox"/> OTHER TENON MT _____	<input type="checkbox"/> GREY <b>RAL-7004-T</b>	<input type="checkbox"/> 3 WAY ADAPTER <b>T3120</b>
<input type="checkbox"/> <b>SNTAR 356 - 250</b>	35'	.250	13"	1"X36"X4"	<b>DRILL MOUNT</b>	<input type="checkbox"/> DARK BRONZE <b>RAL-8019-T</b>	<b>COUPLING</b>
					<input type="checkbox"/> 1 .....	<input type="checkbox"/> GREEN <b>RAL-6005-T</b>	<input type="checkbox"/> 1/2" COUPLING <b>CPLN1/2</b>
					<input type="checkbox"/> 2-180 .....		<input type="checkbox"/> 3/4" COUPLING <b>CPLN3/4</b>
					<input type="checkbox"/> 2-90 .....		<input type="checkbox"/> 2" COUPLING <b>CPLN2</b>
					<input type="checkbox"/> 3-90 .....		(SPECIFY COUPLING LOCATION)
					<input type="checkbox"/> 4-90 .....		
					<input type="checkbox"/> 3-120 .....		
					3-120 REQUIRES PT27 AND T3120 ADAPTER		
						FOR SMOOTH FINISH REMOVE SUFFIX "T" (EXAMPLE: RAL-9005)	
						CONSULT FACTORY FOR CUSTOM COLORS	REFER TO THE ACCESSORIES SECTION FOR OTHER OPTIONS

# ○ RNTA 4"

## Round Straight Aluminum



### Specifications

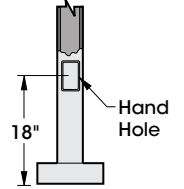
**Shaft** - 4" diameter, extruded from 6063 aluminum tubing. Heat treated to produce a T6 temper. Shaft includes a hand hole furnished with cover. Shaft is furnished with ground lugs located on cast aluminum base plate.

**Base Plate** - Cast aluminum constructed of A-356 aluminum alloy heat treated to produce a T6 temper. Structurally engineered base includes eight heavy wall reinforcing vertical gussets. Base telescopes and is circumferentially welded to shaft at both the outside top and inside bottom of the base.

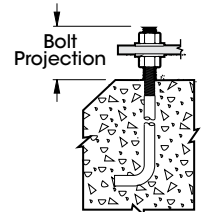
**Anchorage** - (4) anchor bolts fabricated from hot rolled steel bar. Minimum yield strength of 50,000 P.S.I. Bolts have "L" bend on one end and are threaded on the other. Bolts are fully galvanized and are furnished with two nuts and two washers.

**Base Cover** - Fabricated from heavy wall aluminum construction. Two piece cover conceals base.

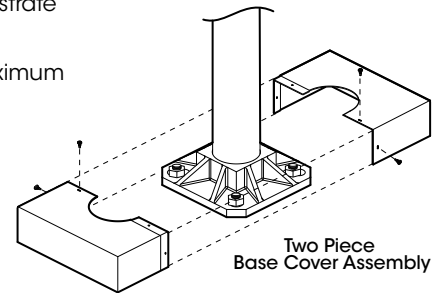
**Finish** - Electrostatically applied TGIC Polyester Powder Coat on substrate prepared with 20 PSI power wash at 140°F. Four step iron phosphate pretreatment for protection and paint adhesion. 400°F bake for maximum hardness and durability. Textured finish is standard.



10 1/4" Dia. Bolt Circle

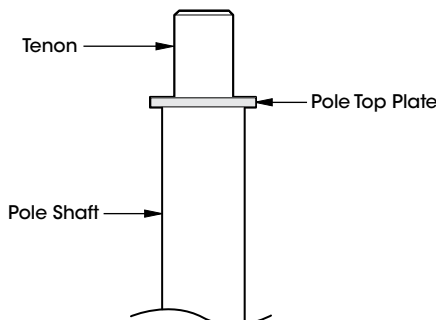


Bolt Projection Above Grade:  
Minimum 3/4"  
Maximum 3/4"



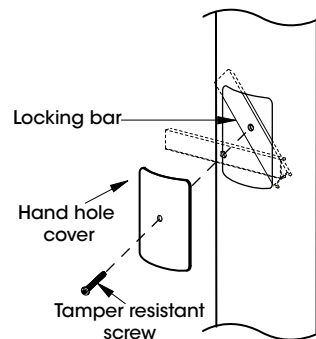
### Pole Top Mount

PT23 - 2 3/8" X 4" Tenon  
PT27 - 2 7/8" X 4" Tenon



### Hand Hole Cover

Hand hole cover with tamper resistant bolt assembly



# ○ RNTA 4"

## Specifications and Ordering

### Engineering Data

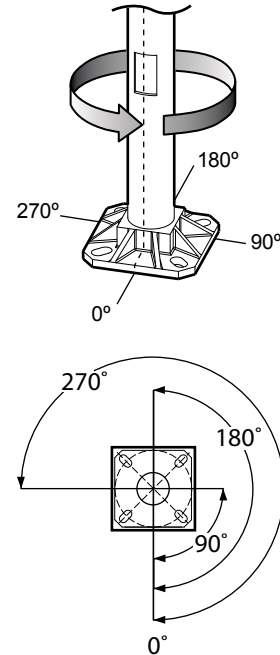
Maximum EPA - Square Feet

MODEL NUMBER	MAX. FIXTURE WEIGHT	100 MPH	90 MPH	80 MPH	70 MPH
RNTA 84 - 125	100	6.9	8.7	11.4	15.2
RNTA 104 - 125	100	4.7	6.0	8.0	10.9
RNTA 124 - 125	100	3.3	4.4	6.0	8.5
RNTA 144 - 125	100	2.2	3.1	4.5	6.6

All above design calculations are based on sustained wind forces plus additional 1.3 wind gust  
 (Example: Pole rated at 80 MPH withstands 104 MPH gusts)

### Drilled Side Mount

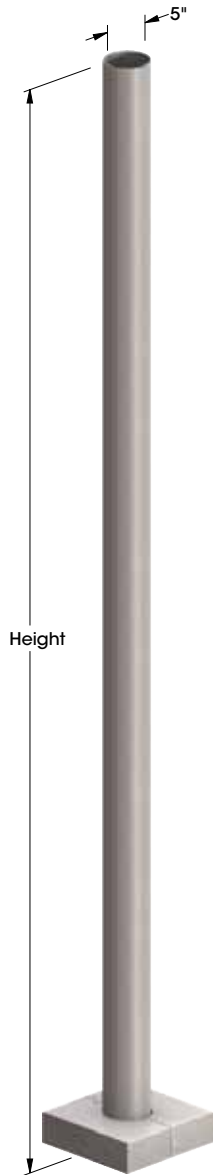
Specify drilling location using codes below.



POLE MODEL NUMBER - RNTA 4"					MOUNTING	FINISH	OPTIONS
	POLE HEIGHT	WALL THICKNESS	BOLT CIRCLE	ANCHORAGE	ARM MOUNT	STANDARD TEXTURED FINISH	RECEPTACLE
<input type="checkbox"/>	RNTA 84 - 125	8'	.125	10 1/4"	3/4"X18"X3"	<input type="checkbox"/> BLACK RAL-9005-T	<input type="checkbox"/> DUPLEX RECEPTACLE DUP
<input type="checkbox"/>	RNTA 104 - 125	10'	.125	10 1/4"	3/4"X18"X3"	<input type="checkbox"/> WHITE RAL-9003-T	<input type="checkbox"/> GFI RECEPTACLE GFI
<input type="checkbox"/>	RNTA 124 - 125	12'	.125	10 1/4"	3/4"X18"X3"	<input type="checkbox"/> GREY RAL-7004-T	<input type="checkbox"/> 3 WAY ADAPTER T3120
<input type="checkbox"/>	RNTA 144 - 125	14'	.125	10 1/4"	3/4"X18"X3"	<input type="checkbox"/> DARK BRONZE RAL-8019-T	<input type="checkbox"/> 4 WAY ADAPTER T490
					DRILL MOUNT	<input type="checkbox"/> GREEN RAL-6005-T	<input type="checkbox"/> ROUND BASE COVER RBC
					<input type="checkbox"/> 1 .....		COUPLING
					<input type="checkbox"/> 2-180 .....		<input type="checkbox"/> 1/2" COUPLING CPLN1/2
					<input type="checkbox"/> 2-90 .....		<input type="checkbox"/> 3/4" COUPLING CPLN3/4
					<input type="checkbox"/> 3-90 .....		<input type="checkbox"/> 2" COUPLING CPLN2
					<input type="checkbox"/> 4-90 .....		
					<input type="checkbox"/> 3-120 .....		
					3-120 REQUIRES PT27 AND T3120 ADAPTER		(SPECIFY COUPLING LOCATION)
					2-90, 3-90, 4-90 REQUIRES PT27 AND T490 ADAPTER	FOR SMOOTH FINISH REMOVE SUFFIX "T" (EXAMPLE: RAL-9005)	REFER TO THE ACCESSORIES SECTION FOR OTHER OPTIONS
						CONSULT FACTORY FOR CUSTOM COLORS	

# ○ RNTA 5"

## Round Straight Aluminum



### Specifications

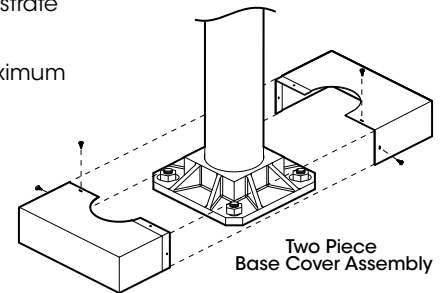
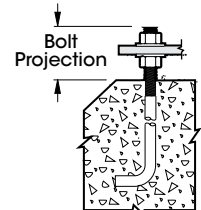
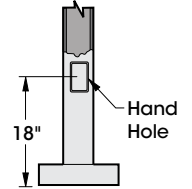
**Shaft** - 5" diameter, extruded from 6063 alloy aluminum tubing. Heat treated to produce a T6 temper. Shaft includes a hand hole furnished with cover. Shaft is furnished with ground lugs located on cast aluminum base plate.

**Base Plate** - Cast aluminum constructed of A-356 aluminum alloy heat treated to produce a T6 temper. Structurally engineered base includes eight heavy wall reinforcing vertical gussets. Base telescopes and is circumferentially welded to shaft at both the outside top and inside bottom of the base.

**Anchorage** - (4) anchor bolts fabricated from hot rolled steel bar. Minimum yield strength of 50,000 P.S.I. Bolts have "L" bend on one end and are threaded on the other. Bolts are fully galvanized and are furnished with two nuts and two washers.

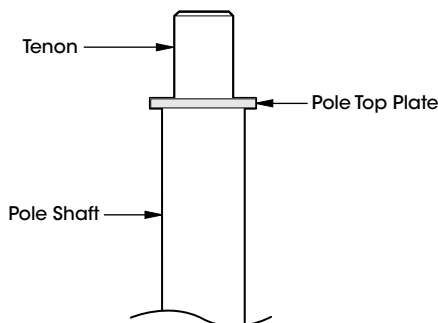
**Base Cover** - Fabricated from heavy wall aluminum construction. Two piece cover conceals base.

**Finish** - Electrostatically applied TGIC Polyester Powder Coat on substrate prepared with 20 PSI power wash at 140°F. Four step iron phosphate pretreatment for protection and paint adhesion. 400°F bake for maximum hardness and durability. Textured finish is standard.



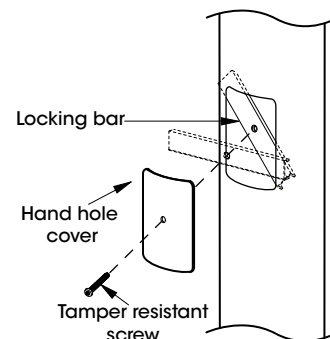
### Pole Top Mount

PT23 - 2<sup>3</sup>/<sub>8</sub>"X4" Tenon  
PT27 - 2<sup>7</sup>/<sub>8</sub>"X4" Tenon



### Hand Hole Cover

Hand hole cover with tamper resistant bolt assembly



# ○ RNTA 5"

## Specifications and Ordering

### Engineering Data

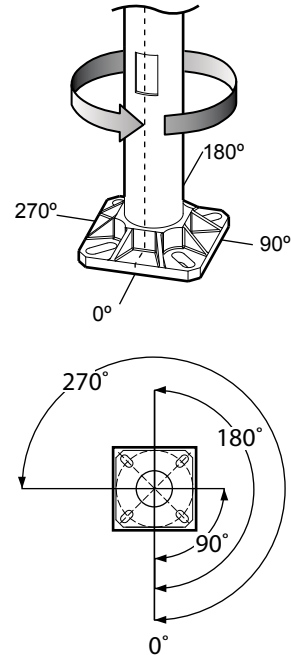
Maximum EPA - Square Feet

MODEL NUMBER	MAX. FIXTURE WEIGHT	100 MPH	90 MPH	80 MPH	70 MPH
RNTA 105 - 125	175	8.7	10.8	13.9	18.8
RNTA 125 - 125	175	6.8	8.3	10.6	14.6
RNTA 145 - 125	175	4.4	5.5	7.1	9.9
RNTA 145 - 188	250	8.3	10.3	13.4	18.1
RNTA 165 - 125	100	3.2	4.0	5.2	7.3
RNTA 165 - 188	200	5.4	6.6	8.5	11.7
RNTA 185 - 125	100	2.2	2.9	3.8	5.6
RNTA 185 - 188	200	4.1	5.2	6.7	9.5
RNTA 205 - 188	200	3.1	4.0	5.2	7.6

All above design calculations are based on sustained wind forces plus additional 1.3 wind gust  
 (Example: Pole rated at 80 MPH withstands 104 MPH gusts)

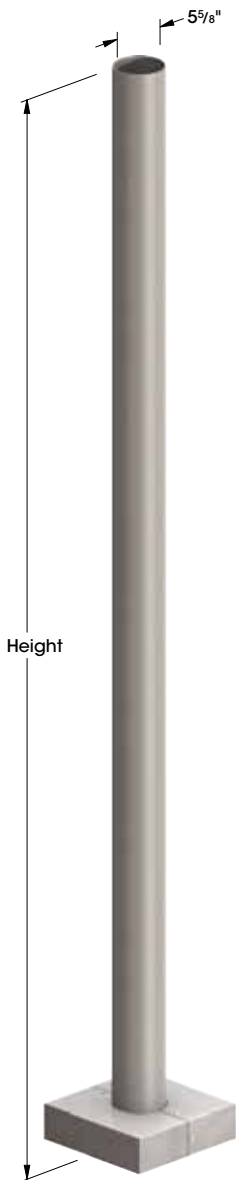
### Drilled Side Mount

Specify drilling location using codes below.



POLE MODEL NUMBER - RNTA 5"				MOUNTING	FINISH	OPTIONS	
	POLE HEIGHT	WALL THICKNESS	BOLT CIRCLE	ANCHORAGE	ARM MOUNT	STANDARD TEXTURED FINISH	RECEPTACLE
<input type="checkbox"/> RNTA 105 - 125	10'	.125	11 3/4"	3/4"X24"X3"	<input type="checkbox"/> <b>PT23</b> 2 7/8" X 4" TENON	<input type="checkbox"/> BLACK <b>RAL-9005-T</b>	<input type="checkbox"/> DUPLEX RECEPTACLE <b>DUP</b>
<input type="checkbox"/> RNTA 125 - 125	12'	.125	11 3/4"	3/4"X24"X3"	<input type="checkbox"/> <b>PT27</b> 2 7/8" X 4" TENON	<input type="checkbox"/> WHITE <b>RAL-9003-T</b>	<input type="checkbox"/> GFI RECEPTACLE <b>GFI</b>
<input type="checkbox"/> RNTA 145 - 125	14'	.125	11 3/4"	3/4"X24"X3"	<input type="checkbox"/> OTHER TENON MT _____	<input type="checkbox"/> GREY <b>RAL-7004-T</b>	<input type="checkbox"/> 3 WAY ADAPTER <b>T3120</b>
<input type="checkbox"/> RNTA 145 - 188	14'	.188	11 3/4"	3/4"X24"X3"	<b>DRILL MOUNT</b>	<input type="checkbox"/> DARK BRONZE <b>RAL-8019-T</b>	<input type="checkbox"/> 4 WAY ADAPTER <b>T490</b>
<input type="checkbox"/> RNTA 165 - 125	16'	.125	11 3/4"	3/4"X24"X3"	<input type="checkbox"/> 1 .....	<input type="checkbox"/> GREEN <b>RAL-6005-T</b>	<input type="checkbox"/> ROUND BASE COVER <b>RBC</b>
<input type="checkbox"/> RNTA 165 - 188	16'	.188	11 3/4"	3/4"X24"X3"	<input type="checkbox"/> 2-180 .....		<b>COUPLING</b>
<input type="checkbox"/> RNTA 185 - 125	18'	.125	11 3/4"	3/4"X24"X3"	<input type="checkbox"/> 2-90 .....		<input type="checkbox"/> 1/2" COUPLING <b>CPLN1/2</b>
<input type="checkbox"/> RNTA 185 - 188	18'	.188	11 3/4"	3/4"X24"X3"	<input type="checkbox"/> 3-90 .....	FOR SMOOTH FINISH REMOVE SUFFIX "T" (EXAMPLE: RAL-9005)	<input type="checkbox"/> 3/4" COUPLING <b>CPLN3/4</b>
<input type="checkbox"/> RNTA 205 - 188	20'	.188	11 3/4"	3/4"X24"X3"	<input type="checkbox"/> 4-90 .....		<input type="checkbox"/> 2" COUPLING <b>CPLN2</b>
					<input type="checkbox"/> 3-120 .....		(SPECIFY COUPLING LOCATION)
					3-120 REQUIRES PT27 AND T3120 ADAPTER		
					2-90, 3-90, 4-90 REQUIRES PT27 AND T490 ADAPTER	CONSULT FACTORY FOR CUSTOM COLORS	REFER TO THE ACCESSORIES SECTION FOR OTHER OPTIONS
<input type="checkbox"/> SPECIFY OTHER HEIGHTS _____							

# ○ RNTA 5<sup>5/8</sup>" Round Straight Aluminum



## Specifications

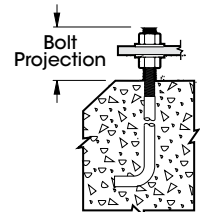
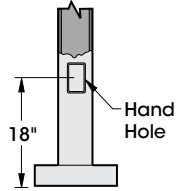
**Shaft** - 5<sup>5/8</sup>" diameter, extruded from 6063 alloy aluminum tubing. Heat treated to produce a T6 temper. Shaft includes a hand hole furnished with cover. Shaft is furnished with ground lugs located on cast aluminum base plate.

**Base Plate** - Cast aluminum constructed of A-356 aluminum alloy heat treated to produce a T6 temper. Structurally engineered base includes eight heavy wall reinforcing vertical gussets. Base telescopes and is circumferentially welded to shaft at both the outside top and inside bottom of the base.

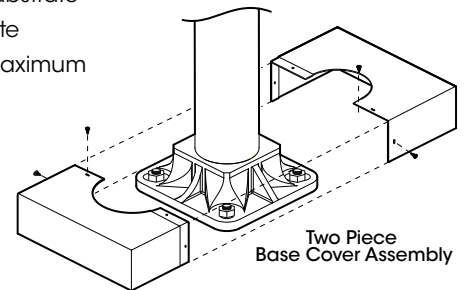
**Anchorage** - (4) anchor bolts fabricated from hot rolled steel bar. Minimum yield strength of 50,000 P.S.I. Bolts have "L" bend on one end and are threaded on the other. Bolts are fully galvanized and are furnished with two nuts and two washers.

**Base Cover** - Fabricated from heavy wall aluminum construction. Two piece cover conceals base.

**Finish** - Electrostatically applied TGIC Polyester Powder Coat on substrate prepared with 20 PSI power wash at 140°F. Four step iron phosphate pretreatment for protection and paint adhesion. 400°F bake for maximum hardness and durability. Textured finish is standard.

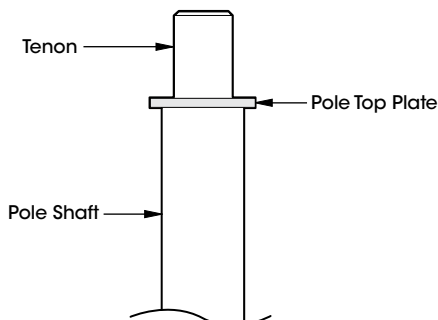


**Bolt Projection Above Grade:**  
Minimum 3/4"  
Maximum 3/4"



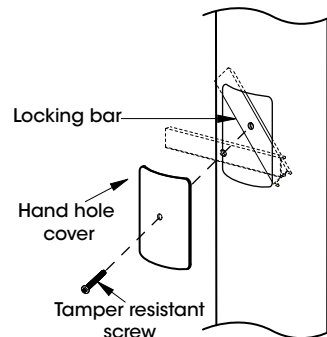
## Pole Top Mount

PT23 - 2<sup>3/8</sup>"X4" Tenon  
PT27 - 2<sup>7/8</sup>"X4" Tenon



## Hand Hole Cover

Hand hole cover with tamper resistant bolt assembly



# ○ RNTA 5<sup>5/8</sup>"

## Specifications and Ordering

### Engineering Data

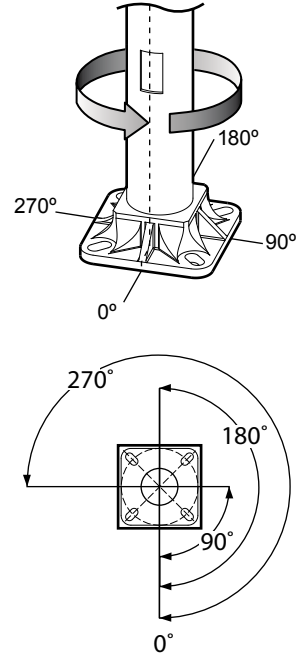
Maximum EPA - Square Feet

MODEL NUMBER	MAX. FIXTURE WEIGHT	100 MPH	90 MPH	80 MPH	70 MPH
RNTA 20558 - 375	275	5.1	6.8	8.6	12.4
RNTA 25558 - 375	275	3.1	4.1	5.2	7.5
RNTA 30558 - 375	275	1.8	2.4	3.1	4.4

All above design calculations are based on sustained wind forces plus additional 1.3 wind gust  
 (Example: Pole rated at 80 MPH withstands 104 MPH gusts)

### Drilled Side Mount

Specify drilling location using codes below.

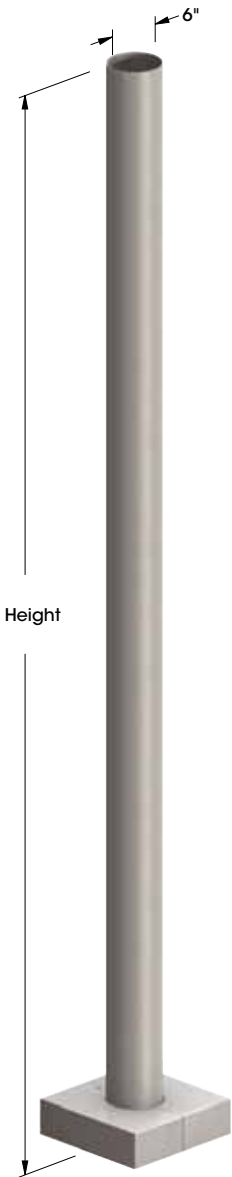


POLE MODEL NUMBER - RNTA 5 <sup>5/8</sup> "				MOUNTING	FINISH	OPTIONS
POLE HEIGHT	WALL THICKNESS	BOLT CIRCLE	ANCHORAGE	ARM MOUNT	STANDARD TEXTURED FINISH	RECEPTACLE
<input type="checkbox"/> RNTA 20558 - 375	20'	.375	11 <sup>3/4</sup> " 1"X36"X4"	<input type="checkbox"/> <b>PT23</b> 2 <sup>3/8</sup> " X 4" TENON  <input type="checkbox"/> <b>PT27</b> 2 <sup>7/8</sup> " X 4" TENON  <input type="checkbox"/> OTHER TENON MT _____	<input type="checkbox"/> BLACK <b>RAL-9005-T</b>  <input type="checkbox"/> WHITE <b>RAL-9003-T</b>  <input type="checkbox"/> GREY <b>RAL-7004-T</b>  <input type="checkbox"/> DARK BRONZE <b>RAL-8019-T</b>  <input type="checkbox"/> GREEN <b>RAL-6005-T</b>	<input type="checkbox"/> DUPLEX RECEPTACLE <b>DUP</b>  <input type="checkbox"/> GFI RECEPTACLE <b>GFI</b>  <input type="checkbox"/> 3 WAY ADAPTER <b>T3120</b>  <input type="checkbox"/> 4 WAY ADAPTER <b>T490</b>  <input type="checkbox"/> ROUND BASE COVER <b>RBC</b>
<input type="checkbox"/> RNTA 25558 - 375	25'	.375	11 <sup>3/4</sup> " 1"X36"X4"	<b>DRILL MOUNT</b> <input type="checkbox"/> 1 ..... ● <input type="checkbox"/> 2-180 ..... ●● <input type="checkbox"/> 2-90 ..... ●● <input type="checkbox"/> 3-90 ..... ●●● <input type="checkbox"/> 4-90 ..... ●●●● <input type="checkbox"/> 3-120 ..... ●●●	FOR SMOOTH FINISH REMOVE SUFFIX "T" (EXAMPLE: RAL-9005)	<input type="checkbox"/> COUPLING <b>CPLN1/2</b>  <input type="checkbox"/> COUPLING <b>CPLN3/4</b>  <input type="checkbox"/> COUPLING <b>CPLN2</b>
<input type="checkbox"/> RNTA 30558 - 375	30'	.375	11 <sup>3/4</sup> " 1"X36"X4"	3-120 REQUIRES PT27 AND T3120 ADAPTER  2-90, 3-90, 4-90 REQUIRES PT27 AND T490 ADAPTER	CONSULT FACTORY FOR CUSTOM COLORS	<input type="checkbox"/> 3 WAY ADAPTER <b>T3120</b>  <input type="checkbox"/> 4 WAY ADAPTER <b>T490</b>  <input type="checkbox"/> ROUND BASE COVER <b>RBC</b>  COUPLING <input type="checkbox"/> 1/2" COUPLING <b>CPLN1/2</b>  <input type="checkbox"/> 3/4" COUPLING <b>CPLN3/4</b>  <input type="checkbox"/> 2" COUPLING <b>CPLN2</b>
<input type="checkbox"/> SPECIFY OTHER HEIGHTS _____						(SPECIFY COUPLING LOCATION)  REFER TO THE ACCESSORIES SECTION FOR OTHER OPTIONS



# ○ RNTA 6"

## Round Straight Aluminum



### Specifications

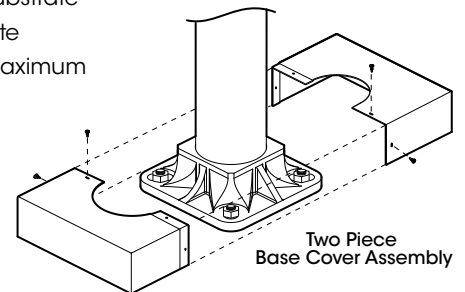
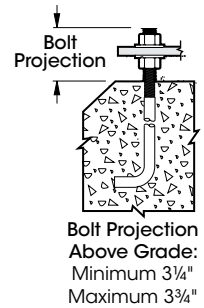
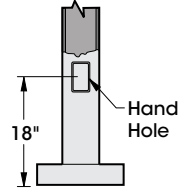
**Shaft** - 6" diameter, extruded from 6063 alloy aluminum tubing. Heat treated to produce a T6 temper. Shaft includes a hand hole furnished with cover. Shaft is furnished with ground lugs located on cast aluminum base plate.

**Base Plate** - Cast aluminum constructed of A-356 aluminum alloy heat treated to produce a T6 temper. Structurally engineered base includes eight heavy wall reinforcing vertical gussets. Base telescopes and is circumferentially welded to shaft at both the outside top and inside bottom of the base.

**Anchorage** - (4) anchor bolts fabricated from hot rolled steel bar. Minimum yield strength of 50,000 P.S.I. Bolts have "L" bend on one end and are threaded on the other. Bolts are fully galvanized and are furnished with two nuts and two washers.

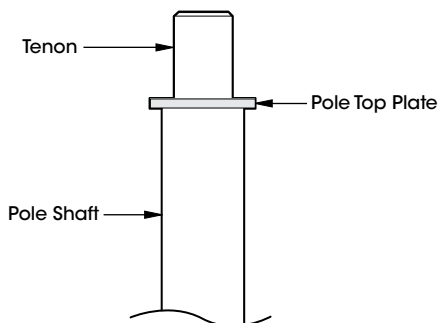
**Base Cover** - Fabricated from heavy wall aluminum construction. Two piece cover conceals base.

**Finish** - Electrostatically applied TGIC Polyester Powder Coat on substrate prepared with 20 PSI power wash at 140°F. Four step iron phosphate pretreatment for protection and paint adhesion. 400°F bake for maximum hardness and durability. Textured finish is standard.



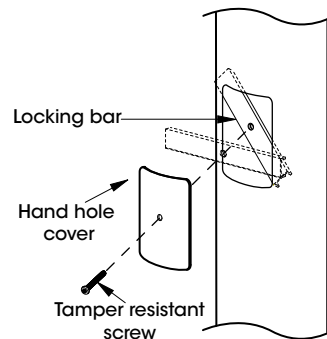
### Pole Top Mount

- PT23 - 2<sup>3</sup>/<sub>8</sub>"X4" Tenon
- PT27 - 2<sup>7</sup>/<sub>8</sub>"X4" Tenon



### Hand Hole Cover

Hand hole cover with tamper resistant bolt assembly



# ○ RNTA 6"

## Specifications and Ordering

### Engineering Data

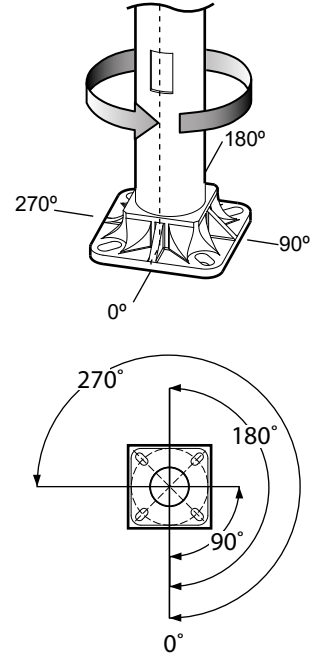
Maximum EPA - Square Feet

MODEL NUMBER	MAX. FIXTURE WEIGHT	100 MPH	90 MPH	80 MPH	70 MPH
RNTA 206 - 188	100lbs	6.1	7.9	10.5	13.5
RNTA 256 - 188	100lbs	3.3	4.3	5.7	7.9
RNTA 306 - 188	100lbs	1.4	2.0	3.0	4.5`

All above design calculations are based on sustained wind forces plus additional 1.3 wind gust  
 (Example: Pole rated at 80 MPH withstands 104 MPH gusts)

### Drilled Side Mount

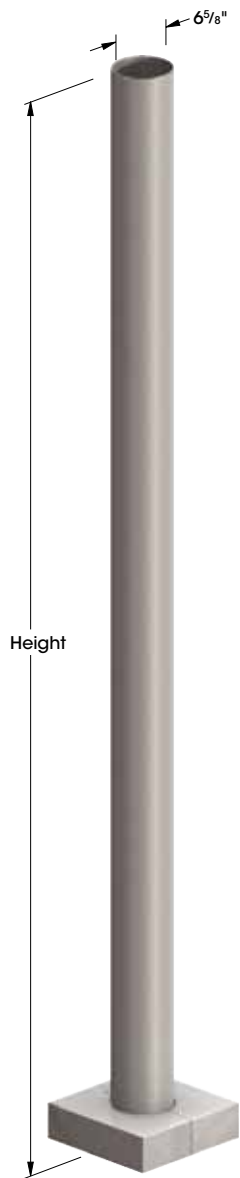
Specify drilling location using codes below.



POLE MODEL NUMBER - RNTA 6"					MOUNTING	FINISH	OPTIONS
	POLE HEIGHT	WALL THICKNESS	BOLT CIRCLE	ANCHORAGE	ARM MOUNT	STANDARD TEXTURED FINISH	RECEPTACLE
<input type="checkbox"/> RNTA 206 - 188	20'	.250	13"	1"X36"X4"	<input type="checkbox"/> <b>PT23</b> 2 3/8" X 4" TENON	<input type="checkbox"/> BLACK <b>RAL-9005-T</b>	<input type="checkbox"/> DUPLEX RECEPTACLE <b>DUP</b>
<input type="checkbox"/> RNTA 256 - 188	25'	.250	13"	1"X36"X4"	<input type="checkbox"/> <b>PT27</b> 2 7/8" X 4" TENON	<input type="checkbox"/> WHITE <b>RAL-9003-T</b>	<input type="checkbox"/> GFI RECEPTACLE <b>GFI</b>
<input type="checkbox"/> RNTA 306 - 188	30'	.250	13"	1"X36"X4"	<input type="checkbox"/> OTHER TENON MT _____	<input type="checkbox"/> GREY <b>RAL-7004-T</b>	<input type="checkbox"/> 3 WAY ADAPTER <b>T3120</b>
					<b>DRILL MOUNT</b>	<input type="checkbox"/> DARK BRONZE <b>RAL-8019-T</b>	<input type="checkbox"/> 4 WAY ADAPTER <b>T490</b>
					<input type="checkbox"/> 1 .....	<input type="checkbox"/> GREEN <b>RAL-6005-T</b>	<input type="checkbox"/> ROUND BASE COVER <b>RBC</b>
					<input type="checkbox"/> 2-180 .....		<b>COUPLING</b>
					<input type="checkbox"/> 2-90 .....		<input type="checkbox"/> 1/2" COUPLING <b>CPLN1/2</b>
					<input type="checkbox"/> 3-90 .....		<input type="checkbox"/> 3/4" COUPLING <b>CPLN3/4</b>
					<input type="checkbox"/> 4-90 .....		<input type="checkbox"/> 2" COUPLING <b>CPLN2</b>
					<input type="checkbox"/> 3-120 .....		(SPECIFY COUPLING LOCATION)
					3-120 REQUIRES PT27 AND T3120 ADAPTER		
					2-90, 3-90, 4-90 REQUIRES PT27 AND T490 ADAPTER	FOR SMOOTH FINISH REMOVE SUFFIX "T" (EXAMPLE: RAL-9005)	REFER TO THE ACCESSORIES SECTION FOR OTHER OPTIONS
						CONSULT FACTORY FOR CUSTOM COLORS	

SPECIFY OTHER HEIGHTS \_\_\_\_\_

# ○ RNTA 6<sup>5</sup>/<sub>8</sub>" Round Straight Aluminum



## Specifications

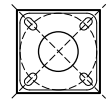
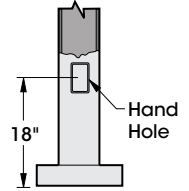
**Shaft** - 6<sup>5</sup>/<sub>8</sub>" diameter, extruded from 6063 alloy aluminum tubing. Heat treated to produce a T6 temper. Shaft includes a hand hole furnished with cover. Shaft is furnished with ground lugs located on cast aluminum base plate.

**Base Plate** - Cast aluminum constructed of A-356 aluminum alloy heat treated to produce a T6 temper. Structurally engineered base includes eight heavy wall reinforcing vertical gussets. Base telescopes and is circumferentially welded to shaft at both the outside top and inside bottom of the base.

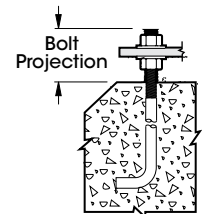
**Anchorage** - (4) anchor bolts fabricated from hot rolled steel bar. Minimum yield strength of 50,000 P.S.I. Bolts have "L" bend on one end and are threaded on the other. Bolts are fully galvanized and are furnished with two nuts and two washers.

**Base Cover** - Fabricated from heavy wall aluminum construction. Two piece cover conceals base.

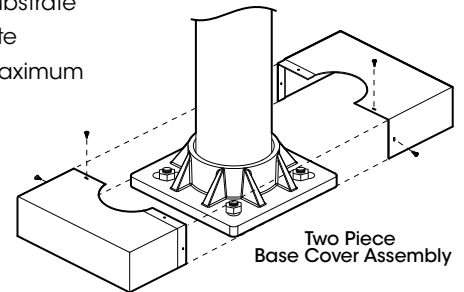
**Finish** - Electrostatically applied TGIC Polyester Powder Coat on substrate prepared with 20 PSI power wash at 140°F. Four step iron phosphate pretreatment for protection and paint adhesion. 400°F bake for maximum hardness and durability. Textured finish is standard.



13" Dia.  
Bolt Circle



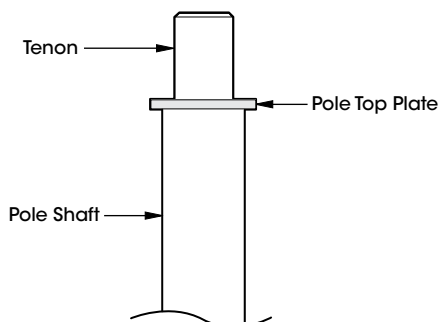
Bolt Projection  
Above Grade:  
Minimum 3<sup>1</sup>/<sub>4</sub>"  
Maximum 3<sup>3</sup>/<sub>4</sub>"



Two Piece  
Base Cover Assembly

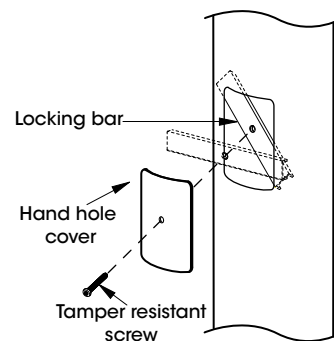
## Pole Top Mount

PT23 - 2<sup>3</sup>/<sub>8</sub>"X4" Tenon  
PT27 - 2<sup>7</sup>/<sub>8</sub>"X4" Tenon



## Hand Hole Cover

Hand hole cover with  
tamper resistant bolt assembly



# ○ RNTA 6<sup>5</sup>/<sub>8</sub>"

## Specifications and Ordering

### Engineering Data

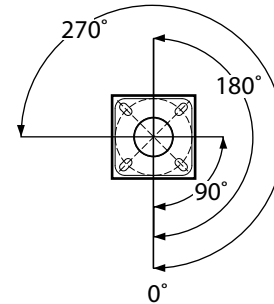
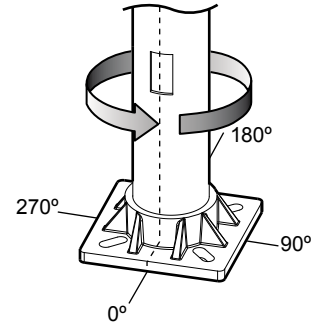
Maximum EPA - Square Feet

MODEL NUMBER	MAX. FIXTURE WEIGHT	100 MPH	90 MPH	80 MPH	70 MPH
RNTA 2066 - 250	300	6.9	9.0	11.4	14.1
RNTA 2566 - 250	300	4.0	5.1	6.6	8.4
RNTA 3066 - 250	300	1.9	2.4	3.1	4.0

All above design calculations are based on sustained wind forces plus additional 1.3 wind gust  
 (Example: Pole rated at 80 MPH withstands 104 MPH gusts)

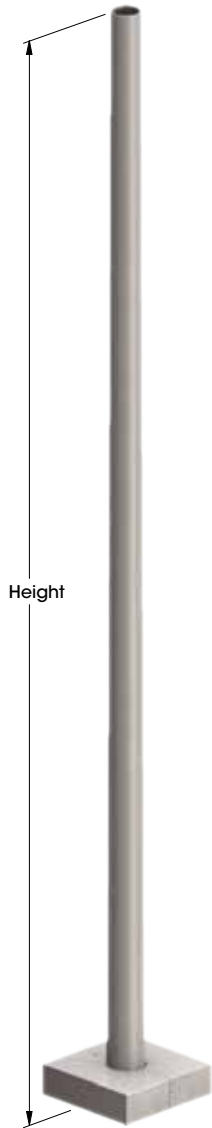
### Drilled Side Mount

Specify drilling location using codes below.



POLE MODEL NUMBER - RNTA 6 <sup>5</sup> / <sub>8</sub> "					MOUNTING	FINISH	OPTIONS
	POLE HEIGHT	WALL THICKNESS	BOLT CIRCLE	ANCHORAGE	ARM MOUNT	STANDARD TEXTURED FINISH	RECEPTACLE
<input type="checkbox"/>	RNTA 2066 - 250	20'	.250	13"	1"X36"X4"	<input type="checkbox"/> BLACK RAL-9005-T	<input type="checkbox"/> DUPLEX RECEPTACLE DUP
<input type="checkbox"/>	RNTA 2566 - 250	25'	.250	13"	1"X36"X4"	<input type="checkbox"/> WHITE RAL-9003-T	<input type="checkbox"/> GFI RECEPTACLE GFI
<input type="checkbox"/>	RNTA 3066 - 250	30'	.250	13"	1"X36"X4"	<input type="checkbox"/> GREY RAL-7004-T	<input type="checkbox"/> 3 WAY ADAPTER T3120
					DRILL MOUNT	<input type="checkbox"/> DARK BRONZE RAL-8019-T	<input type="checkbox"/> 4 WAY ADAPTER T490
					<input type="checkbox"/> 1 .....	<input type="checkbox"/> GREEN RAL-6005-T	<input type="checkbox"/> ROUND BASE COVER RBC
					<input type="checkbox"/> 2-180 .....	FOR SMOOTH FINISH REMOVE SUFFIX "T" (EXAMPLE: RAL-9005)	<input type="checkbox"/> COUPLING
					<input type="checkbox"/> 2-90 .....		<input type="checkbox"/> 1/2" COUPLING CPLN1/2
					<input type="checkbox"/> 3-90 .....		<input type="checkbox"/> 3/4" COUPLING CPLN3/4
					<input type="checkbox"/> 4-90 .....		<input type="checkbox"/> 2" COUPLING CPLN2
					<input type="checkbox"/> 3-120 .....		(SPECIFY COUPLING LOCATION)
					3-120 REQUIRES PT27 AND T3120 ADAPTER	CONSULT FACTORY FOR CUSTOM COLORS	REFER TO THE ACCESSORIES SECTION FOR OTHER OPTIONS
					2-90, 3-90, 4-90 REQUIRES PT27 AND T490 ADAPTER		
<input type="checkbox"/> SPECIFY OTHER HEIGHTS _____							

# Round Tapered Aluminum



## Specifications

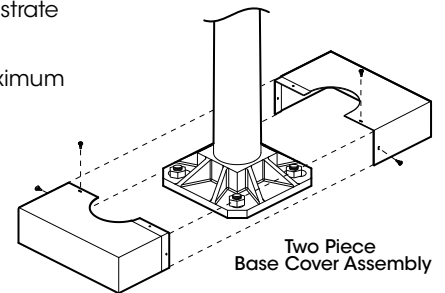
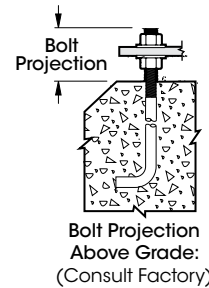
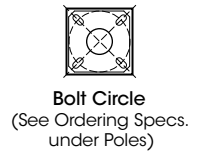
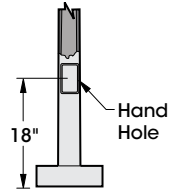
**Shaft** - Spun tapered from 6063 alloy aluminum tubing. Heat treated to produce a T6 temper. Shaft includes a peripherally reinforced hand hole furnished with cover. Shaft is furnished with ground lugs located on cast aluminum base plate.

**Base Plate** - Cast aluminum constructed of A-356 aluminum alloy heat treated to produce a T6 temper. Structurally engineered base includes eight heavy wall reinforcing vertical gussets. Base telescopes and is circumferentially welded to shaft at both the outside top and inside bottom of the base.

**Anchorage** - (4) anchor bolts fabricated from hot rolled steel bar. Minimum yield strength of 50,000 P.S.I. Bolts have "L" bend on one end and are threaded on the other. Bolts are fully galvanized and are furnished with two nuts and two washers.

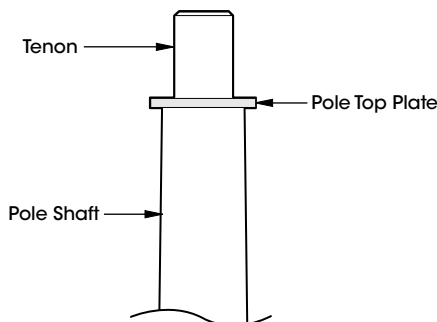
**Base Cover** - Fabricated from heavy wall aluminum construction. Two piece cover conceals base.

**Finish** - Electrostatically applied TGIC Polyester Powder Coat on substrate prepared with 20 PSI power wash at 140°F. Four step iron phosphate pretreatment for protection and paint adhesion. 400°F bake for maximum hardness and durability. Textured finish is standard.



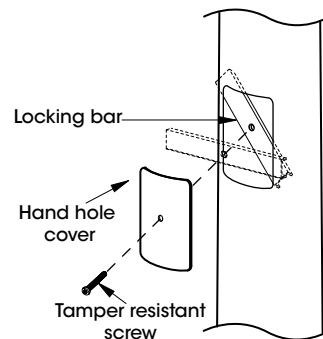
### Pole Top Mount

- PT23 - 2<sup>3</sup>/<sub>8</sub>"X4" Tenon
- PT27 - 2<sup>7</sup>/<sub>8</sub>"X4" Tenon



### Hand Hole Cover

Hand hole cover with tamper resistant bolt assembly



# Specifications and Ordering

## Engineering Data

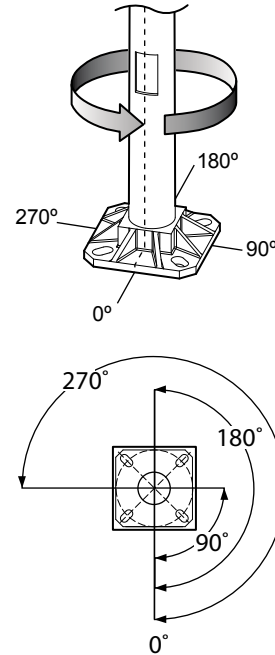
Maximum EPA - Square Feet

MODEL NUMBER	MAX. FIXTURE WEIGHT	100 MPH	90 MPH	80 MPH	70 MPH
RTA 1443 - 125	50	2.2	3.0	4.5	6.2
RTA 1643 - 125	50	1.1	1.8	2.9	4.4
RTA 1853 - 188	100	4.1	5.6	7.6	10.8
RTA 2064 - 188	200	5.6	7.5	10.1	14.2
RTA 2574 - 188	225	5.7	7.3	9.5	13.6
RTA 3084 - 188	200	5.6	7.4	9.9	13.5
RTA 3584 - 188	100	3.8	5.1	7.0	9.3
RTA 4084 - 250	200	4.2	5.4	7.6	10.7

All above design calculations are based on sustained wind forces plus additional 1.3 wind gust  
 (Example: Pole rated at 80 MPH withstands 104 MPH gusts)

## Drilled Side Mount

Specify drilling location using codes below.

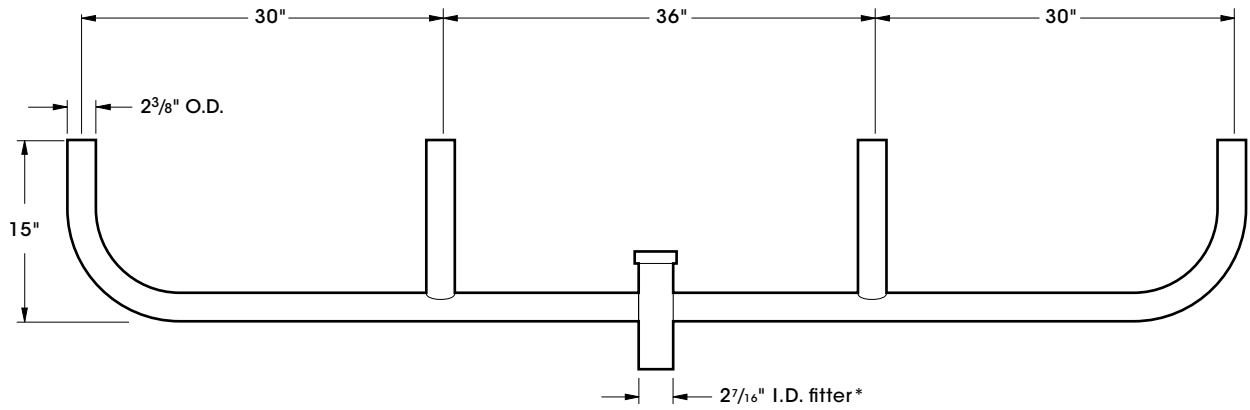


POLE MODEL NUMBER - RTA						MOUNTING	FINISH	OPTIONS
POLE HEIGHT	SHAFT SIZE	WALL THICKNESS	BOLT CIRCLE	ANCHORAGE		ARM MOUNT	STANDARD TEXTURED FINISH	RECEPTACLE
<input type="checkbox"/> RTA 1443 - 125	14'	4.0X3.0	.125	10 1/4"	3/4"X18"X3"	<input type="checkbox"/> <b>PT23</b> 2 3/8" X 4" TENON	<input type="checkbox"/> BLACK <b>RAL-9005-T</b>	<input type="checkbox"/> DUPLEX RECEPTACLE <b>DUP</b>
<input type="checkbox"/> RTA 1643 - 125	16'	4.0X3.0	.125	11 3/4"	3/4"X18"X3"	<input type="checkbox"/> <b>PT27</b> 2 7/8" X 4" TENON	<input type="checkbox"/> WHITE <b>RAL-9003-T</b>	<input type="checkbox"/> GFI RECEPTACLE <b>GFI</b>
<input type="checkbox"/> RTA 1853 - 188	18'	5.0X3.0	.188	11 3/4"	1"X36"X4"	<input type="checkbox"/> OTHER TENON MT _____	<input type="checkbox"/> GREY <b>RAL-7004-T</b>	<input type="checkbox"/> 3 WAY ADAPTER <b>T3120</b>
<input type="checkbox"/> RTA 2064 - 188	20'	6.0X4.0	.188	13"	1"X36"X4"	<b>DRILL MOUNT</b>	<input type="checkbox"/> DARK BRONZE <b>RAL-8019-T</b>	<input type="checkbox"/> 4 WAY ADAPTER <b>T490</b>
<input type="checkbox"/> RTA 2574 - 188	25'	7.0X4.0	.188	13"	1"X36"X4"	<input type="checkbox"/> 1 .....	<input type="checkbox"/> GREEN <b>RAL-6005-T</b>	<input type="checkbox"/> ROUND BASE COVER <b>RBC</b>
<input type="checkbox"/> RTA 3084 - 188	30'	8.0X4.0	.188	13"	1"X36"X4"	<input type="checkbox"/> 2-180 .....	FOR SMOOTH FINISH REMOVE SUFFIX "T" (EXAMPLE: RAL-9005)	<b>COUPLING</b>
<input type="checkbox"/> RTA 3584 - 188	35'	8.0X4.0	.188	13"	1"X36"X4"	<input type="checkbox"/> 2-90 .....		<input type="checkbox"/> 1/2" COUPLING <b>CPLN1/2</b>
<input type="checkbox"/> RTA 4084 - 250	40'	8.0X4.0	.188	13"	1"X36"X4"	<input type="checkbox"/> 3-90 .....		<input type="checkbox"/> 3/4" COUPLING <b>CPLN3/4</b>
						<input type="checkbox"/> 4-90 .....		<input type="checkbox"/> 2" COUPLING <b>CPLN2</b>
						<input type="checkbox"/> 3-120 .....		(SPECIFY COUPLING LOCATION)
<input type="checkbox"/> SPECIFY OTHER HEIGHTS _____						3-120 REQUIRES PT27 AND T3120 ADAPTER	CONSULT FACTORY FOR CUSTOM COLORS	REFER TO THE ACCESSORIES SECTION FOR OTHER OPTIONS
						2-90, 3-90, 4-90 REQUIRES PT27 AND T490 ADAPTER		

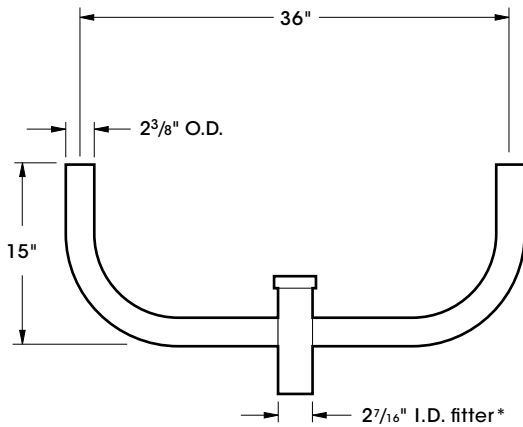
# ABH/SBH

**Aluminum:** Extruded from 6063 alloy aluminum heat treated to produce a T6 temper.

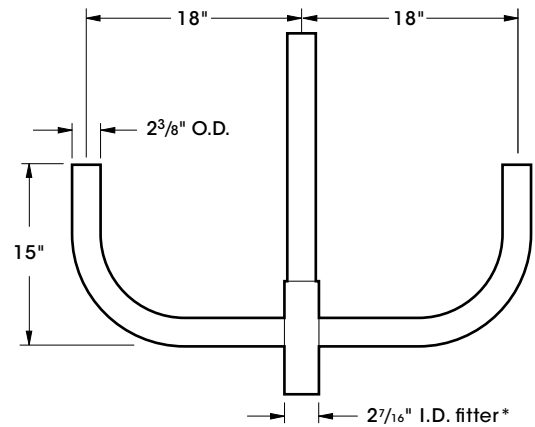
**Steel:** Fabricated from high grade structural quality hot rolled carbon steel.



(Aluminum = **ABH-4-180**)  
 (Steel = **SBH-4-180**)  
 E.P.A. = 0.83



(Aluminum = **ABH-2-180**)  
 (Steel = **SBH-2-180**)  
 E.P.A. = 0.37



(Aluminum = **ABH-3-180**)  
 (Steel = **SBH-3-180**)  
 E.P.A. = 0.69

\* Fitter accepts  
 2 3/8" O.D. X 4" tenon

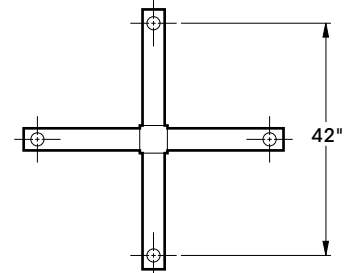
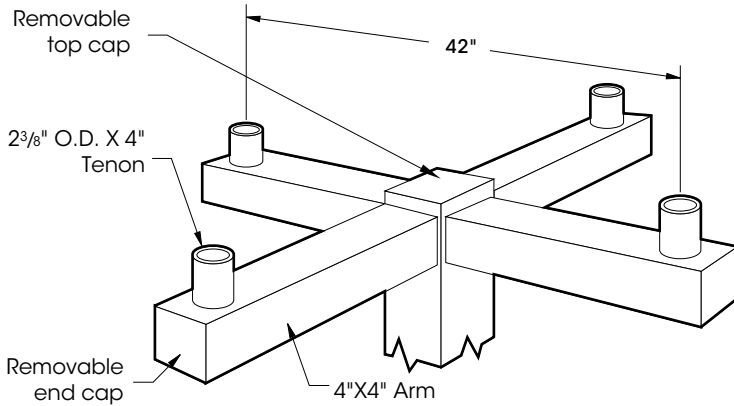
Aluminum = **ABH**      Steel = **SBH**

ABH - WM SBH - WM	ABH - 1 SBH - 1	ABH - 2 - 180 SBH - 2 - 180	ABH - 3 - 180 SBH - 3 - 180	ABH - 3 - 120 SBH - 3 - 120	ABH - 4 - 120 SBH - 4 - 120	ABH - 4 - 90 SBH - 4 - 90	ABH - 4 - 180 SBH - 4 - 180

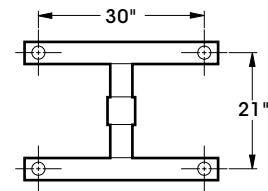
# ASA/SSA

**Aluminum:** Extruded from 6063 alloy aluminum heat treated to produce a T6 temper.

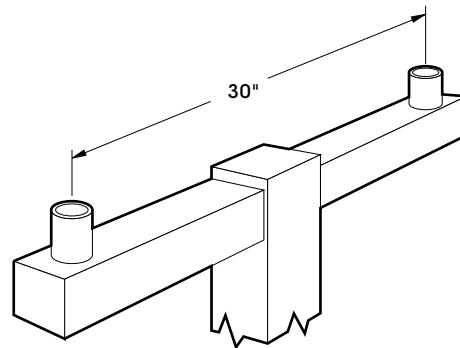
**Steel:** Fabricated from high grade structural quality hot rolled carbon steel.



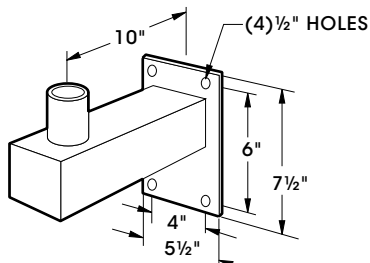
(Aluminum = **ASA-4-90**)  
(Steel = **SSA-4-90**)  
E.P.A. = 1.72



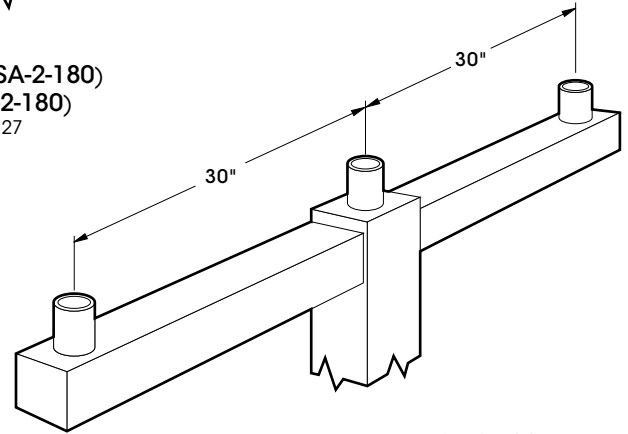
(Aluminum = **ASAH-4**)  
(Steel = **SSAH-4**)  
E.P.A. = 1.72



(Aluminum = **ASA-2-180**)  
(Steel = **SSA-2-180**)  
E.P.A. = 1.27



(Aluminum = **ASA-WM**)  
(Steel = **SSA-WM**)



(Aluminum = **ASA-3-180**)  
(Steel = **SSA-3-180**)  
E.P.A. = 2.31

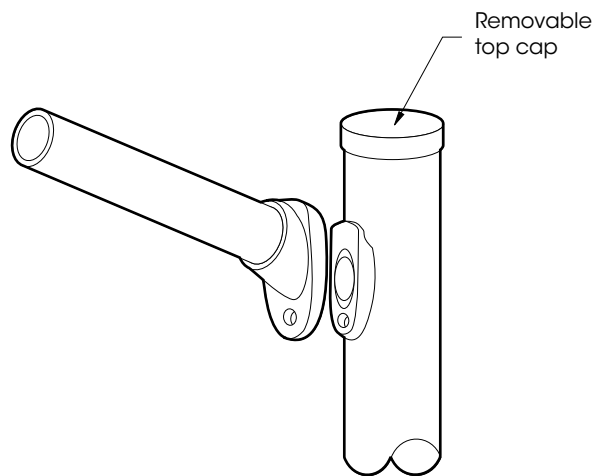
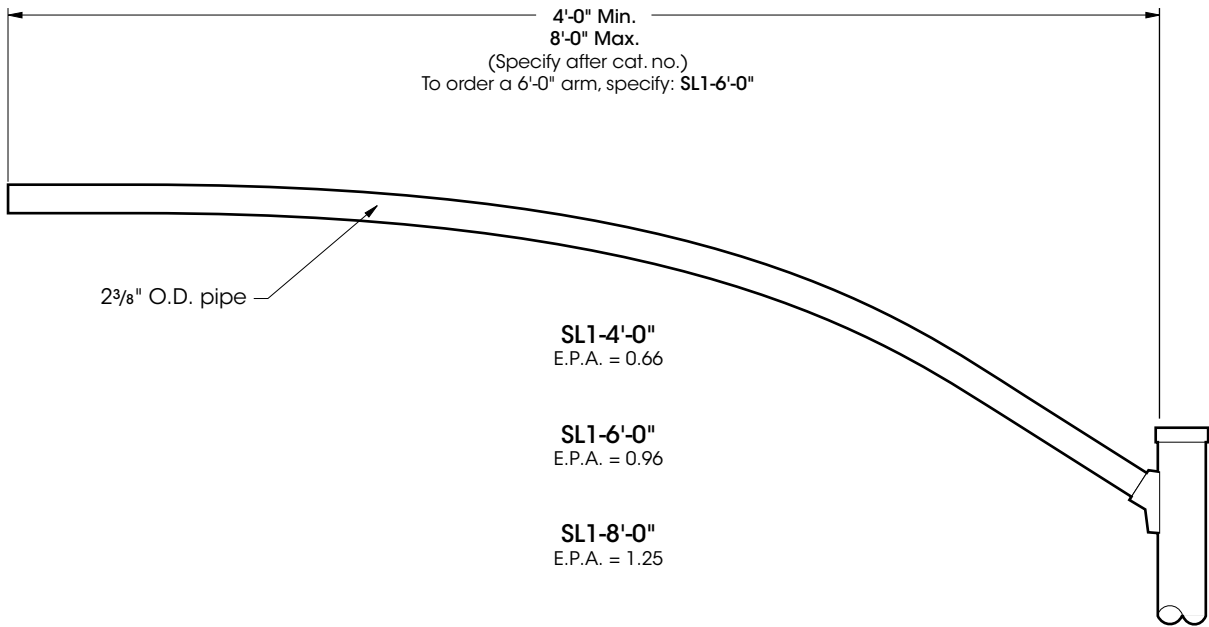
Aluminum = **ASA**      Steel = **SSA**

ASA - WM SSA - WM	ASA - 1 SSA - 1	ASA - 2 - 180 SSA - 2 - 180	ASA - 3 - 180 SSA - 3 - 180	ASA - 3 - 90 SSA - 3 - 90	ASAH - 4 SSAH - 4	ASA - 4 - 90 SSA - 4 - 90	ASA - 5 - 90 SSA - 5 - 90



# SL

Cast iron clamp on bracket with 2" steel pipe (2<sup>3</sup>/<sub>8</sub>" O.D.) arm.  
 Arm constructed from high grade structural steel.

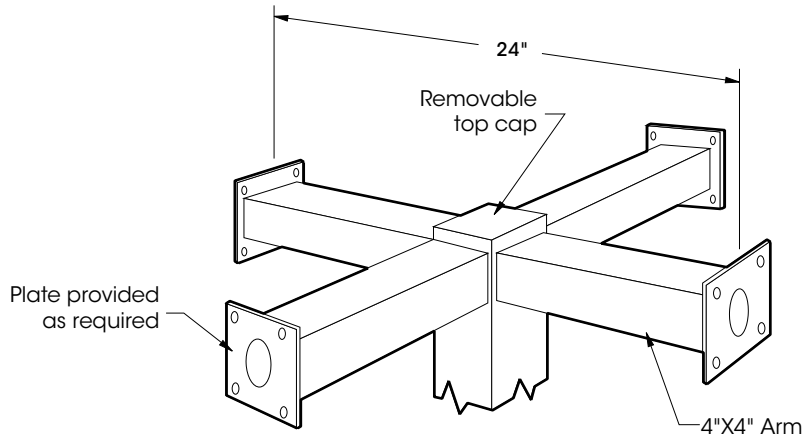


1	2 - 180	3 - 90	3 - 120	4 - 90

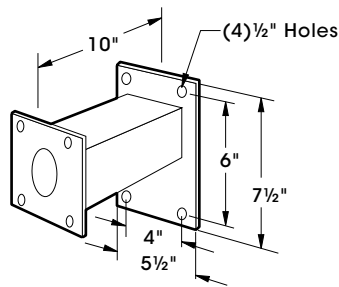
# ASP/SSP

**Aluminum:** Extruded from 6063 alloy aluminum heat treated to produce a T6 temper.

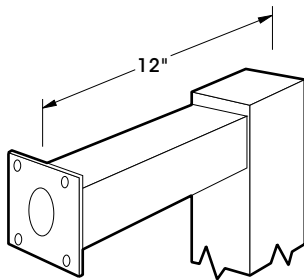
**Steel:** Fabricated from high grade structural quality hot rolled carbon steel.



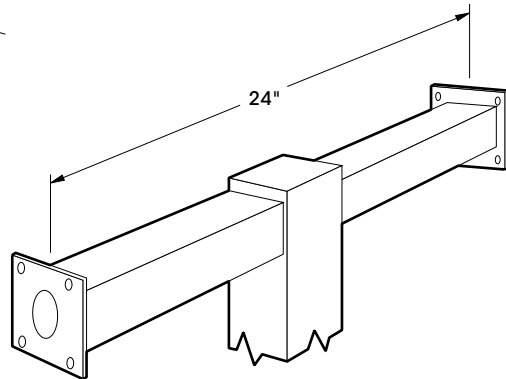
(Aluminum = **ASP-4-90**)  
(Steel = **SSP-4-90**)  
E.P.A. = 1.20



(Aluminum = **ASP-WM**)  
(Steel = **SSP-WM**)



(Aluminum = **ASP-1**)  
(Steel = **SSP-1**)  
E.P.A. = 0.40



(Aluminum = **ASP-2-180**)  
(Steel = **SSP-2-180**)  
E.P.A. = 0.80

Aluminum = **ASP**      Steel = **SSP**

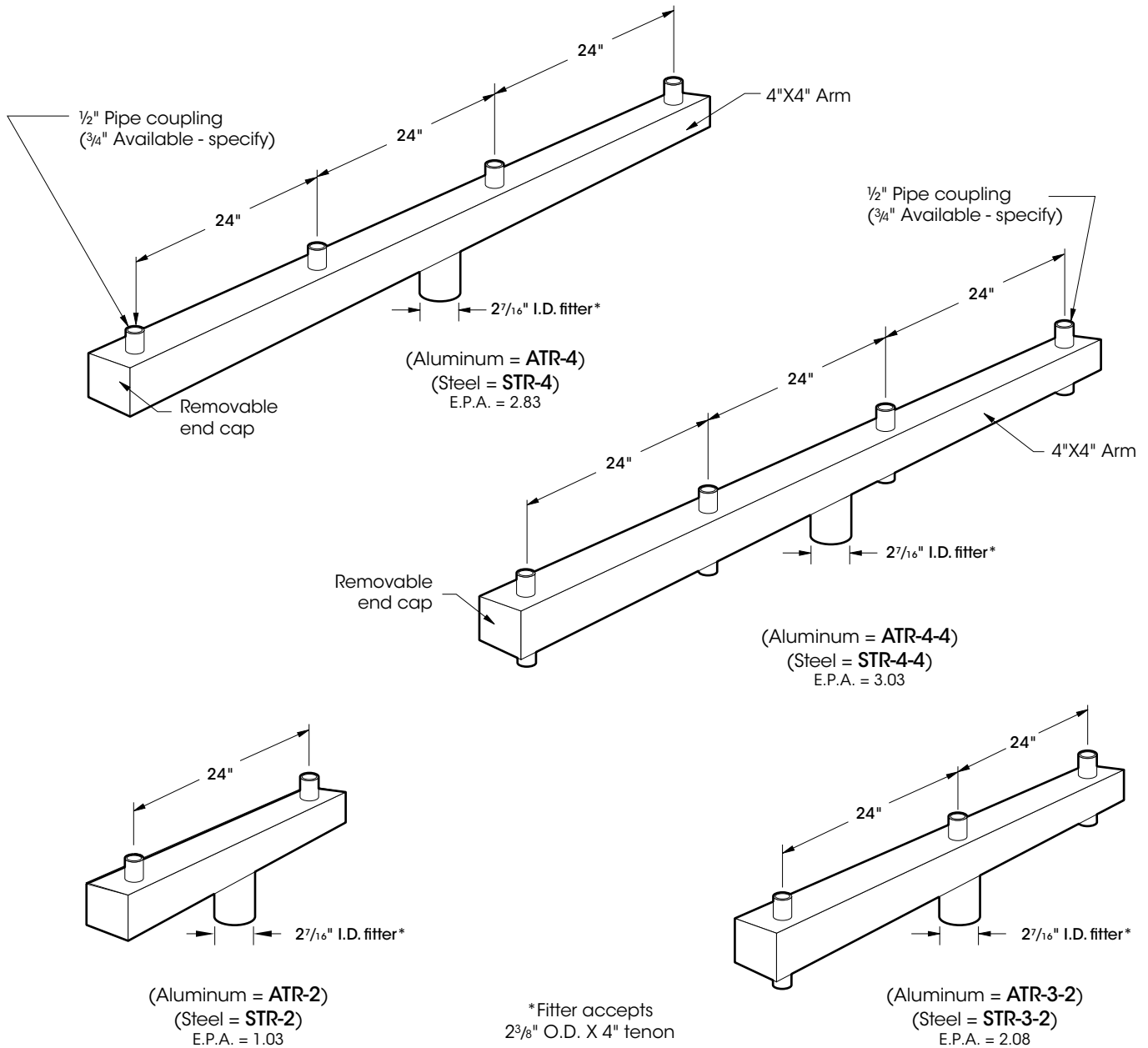
ASP - WM SSP - WM	ASP - 1 SSP - 1	ASP - 2 - 180 SSP - 2 - 180	ASP - 3 - 180 SSP - 3 - 180	ASP - 3 - 90 SSP - 3 - 90	ASPH - 4 SSPH - 4	ASP - 4 - 90 SSP - 4 - 90	ASP - 5 - 90 SSP - 5 - 90
----------------------	--------------------	--------------------------------	--------------------------------	------------------------------	----------------------	------------------------------	------------------------------



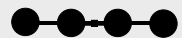
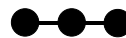
# ATR/STR

**Aluminum:** Extruded from 6063 alloy aluminum heat treated to produce a T6 temper.

**Steel:** Fabricated from high grade structural quality hot rolled carbon steel.

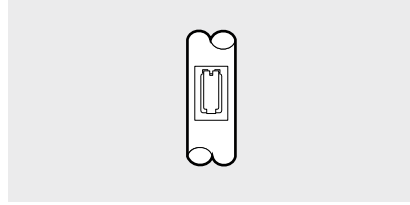
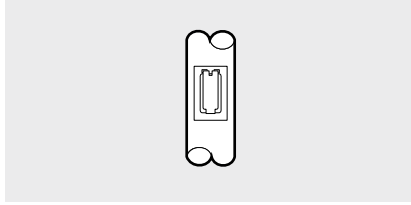


	Aluminum = <b>ATR</b>		Steel = <b>STR</b>	
Upper coupling only:	ATR - WM - 1 STR - WM - 1	ATR - 2 STR - 2	ATR - 3 STR - 3	ATR - 4 STR - 4
Upper and lower coupling:	ATR - WM - 1 - 1 STR - WM - 1 - 1	ATR - 2 - 2 STR - 2 - 2	ATR - 3 - 2 STR - 3 - 2	ATR - 4 - 4 STR - 4 - 4



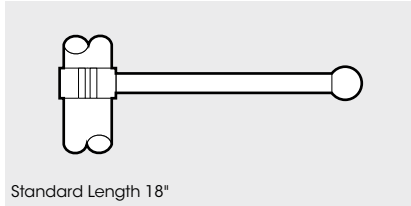
# ACCESSORIES

**DUP**  
Duplex Receptacle  
with Cover

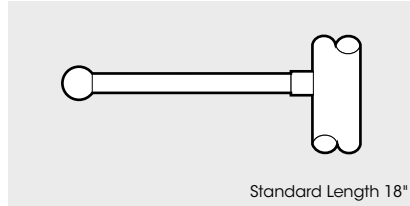


**GFI**  
Duplex Receptacle  
with Cover

**RBA**  
Field Rotatable  
Banner Arm



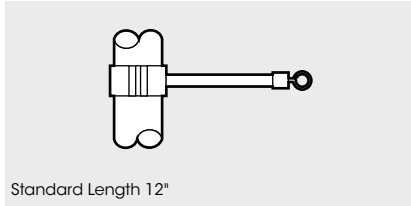
Standard Length 18"



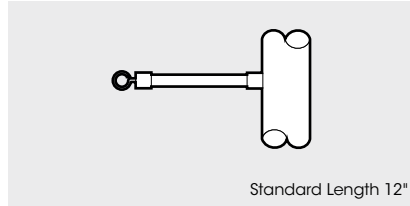
Standard Length 18"

**FBA**  
Fixed Banner Arm

**RBH**  
Field Rotatable  
Basket Holder



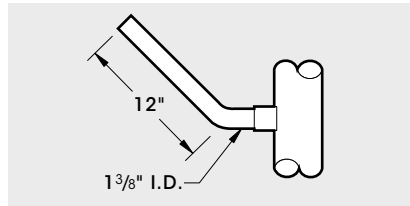
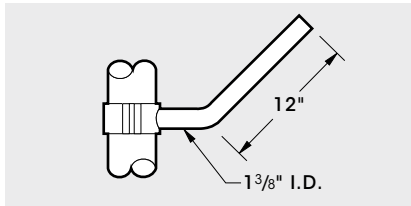
Standard Length 12"



Standard Length 12"

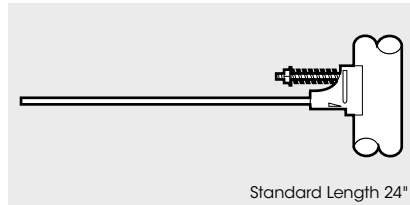
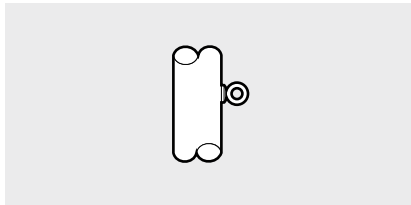
**FBH**  
Fixed Basket Holder

**RFH**  
Field Rotatable  
Flag Holder



**FFH**  
Fixed Flag Holder

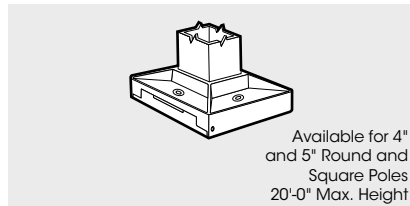
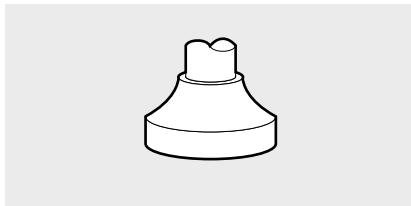
**BEB**  
Banner Eye Bolt



Standard Length 24"

**BBA**  
Break Away Banner  
Arm

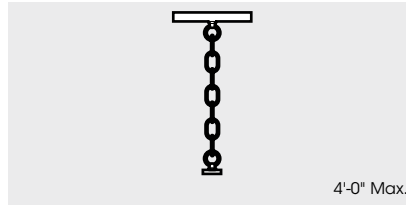
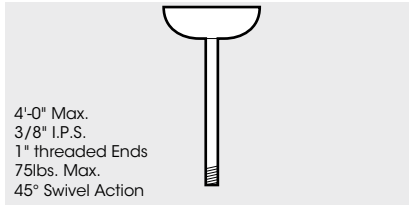
**RBC**  
Round Base Cover



Available for 4"  
and 5" Round and  
Square Poles  
20'-0" Max. Height

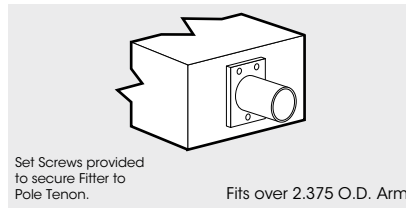
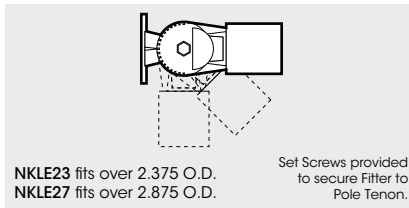
**HNB**  
Hinge Base

**SM**  
Stem Mount and Swivel Canopy



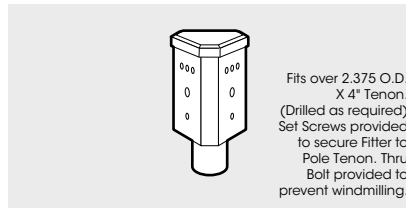
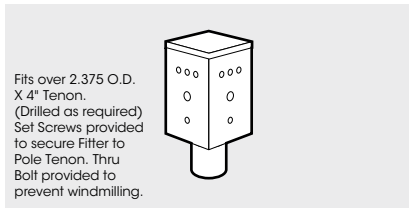
**CM**  
Chain Mount

**NKLE23**  
**NKLE27**  
Adjustable Knuckle Fitter



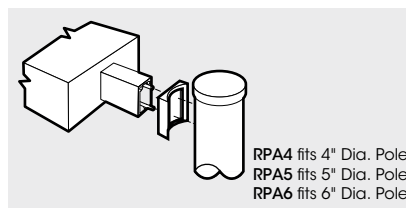
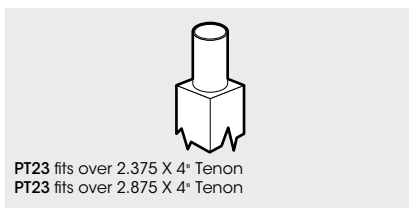
**ST23**  
Street Arm Adaptor

**T490**  
Top 4 Way Fitter Adaptor



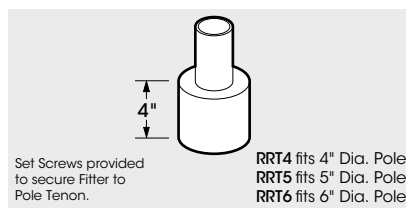
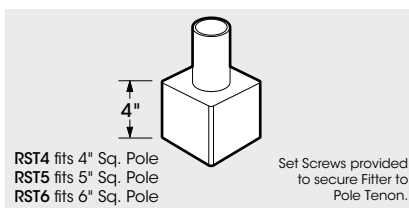
**T3120**  
Top 3 Way Fitter Adaptor

**PT27**  
**PT23**  
Pole Tenon



**RPA4**  
**RPA5**  
**RPA6**  
Round Pole Adaptor

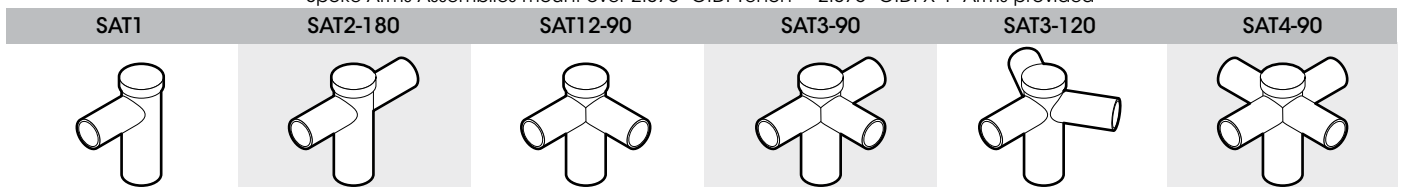
**RST4**  
**RST5**  
**RST6**  
Removable tenon for Square Poles



**RRT4**  
**RRT5**  
**RRT6**  
Removable Tenon for Round Poles

### SPOKE ARMS

Spoke Arms Assemblies mount over 2.375" O.D. Tenon - 2.375" O.D. X 4" Arms provided



Set Screws provided to secure Spoke Arm Assembly to Pole Tenon

# TERMS AND CONDITION OF SALE

## TERMS

Net 30 days from date of shipment (subject to credit approval). A service charge of 1½% per month will be made on past due accounts.

## PRICING

Published prices are subject to change without notice. Possession of price sheets in no way obligates company to sell at those prices. All orders will be acknowledged by and are subject to acceptance by the company. Order will be billed at pricing indicated. Hold orders will be invoiced at the prevailing price at time of order release. Minimum billing will be \$50.00 net. All invoices are subject to federal, state and local taxes and will be added to the invoice where applicable.

## FREIGHT

All shipments are FOB factory and will be shipped via land transportation at company discretion. Title passes to consignee on delivery to the carrier. All claims for loss or damage in transit must be made to the delivery carrier by consignee. Material will be prepaid and billed to our customer unless otherwise stated in writing by company.

## ACKNOWLEDGE SHIPPING SCHEDULE

Ship date indicated on order acknowledgment is the best approximation of the probable shipment date and shall not be deemed to represent a fixed or guaranteed shipment date. Factory shall not be responsible for any penalties or labor charges resulting from delayed shipments due to acts or causes beyond our control or its ability to ship by the acknowledged date.

## CANCELATION CHARGE

Company reserves the right to assess a minimum cancellation charge of 50% of the order value if the order is cancelled after it has been processed for shipment.

## RETURNED GOODS

No material can be returned without permission, in writing, from factory. On material accepted for return, purchaser must pay return shipment charges and pay minimum 25% restocking charge plus additional charges required to rework goods to a resalable condition. Request to return material must be made to the company within forty-five (45) days from date of shipment.

## GENERAL

Factory reserves the right to charge specification features without notice.

## WARRANTY

All factory products are carefully tested and inspected before shipment and warranted to be free of defects in material or workmanship for a period of one year from date of shipment from our factory. Any such defective products will be repaired or replaced, at the option of the company, provided a written claim is made within this warranty period.

Finishes are warranted not to peel, crack, blister or craze from normal atmospheric exposure for one (1) year from date of shipment.

Company will accept no charges for any labor, repair costs or transportation charges incurred without prior written authorization from factory.

The responsibility of company for any defective material is limited solely to the replacement or repair of the material and does not include any incidental or consequential damages which may be incurred.

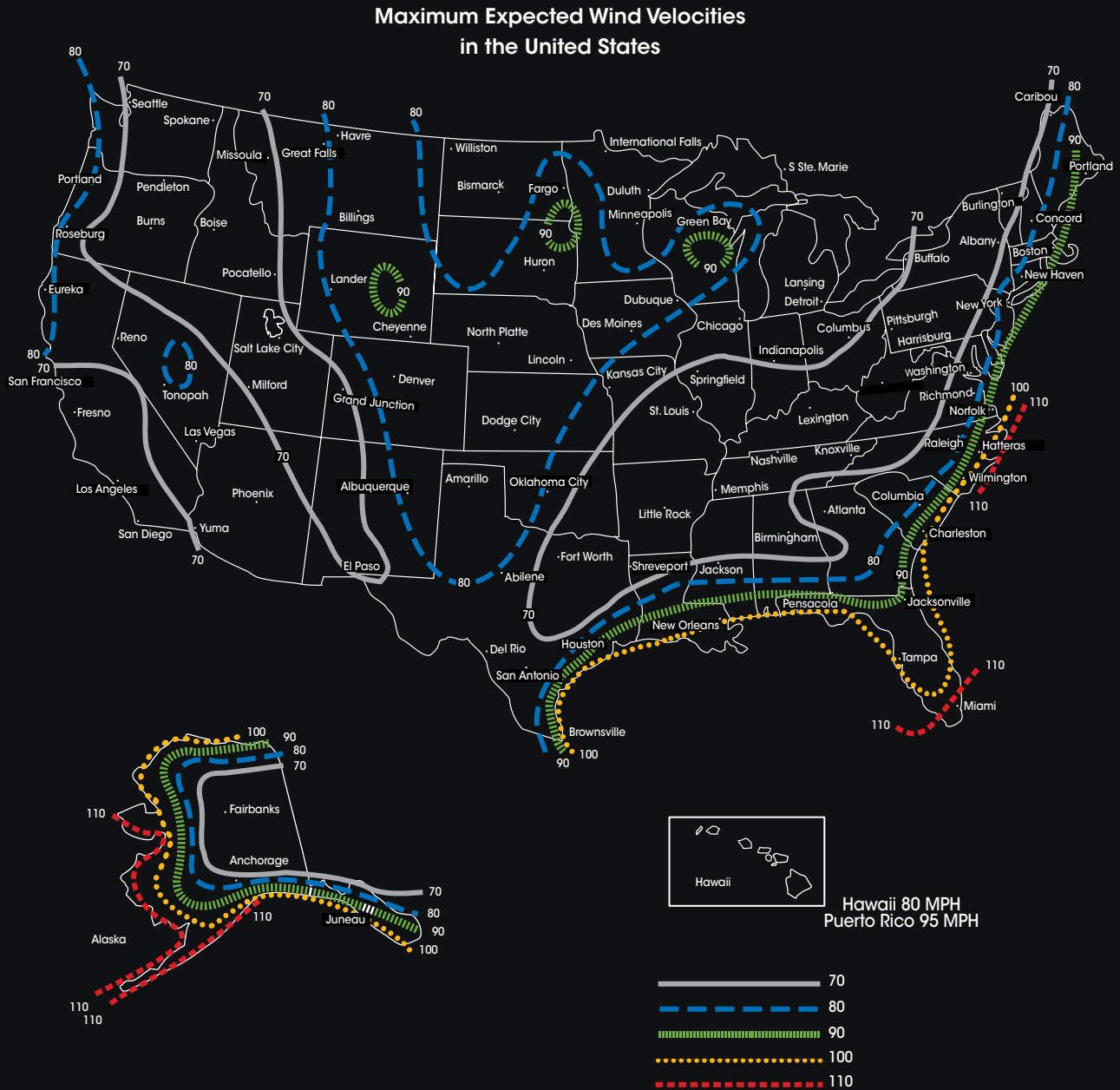
Company products have been designed in accordance with accepted engineering practices to be structurally capable of loads developed by the velocity pressure of winds as specified. In selecting poles, the total effective projected area allowed for the pole has been exceeded.

No warranty, express or implied, exists other than that included above. No person, agent or distributor is warranted to give any other warranty on behalf of the company.

# NOTES

# Isotach Wind Map

The 50 year mean recurrence Isotach wind map has been included in this catalog in order to aid in the selection of a pole with regard to its geographic location. Although a less stringent 25 year mean recurrence map is sometimes used by other pole suppliers, it is our belief that the added measure of assurance offered in the use of this map deems it more desirable. Where unusual wind conditions exist [mountains, natural terrain acting as funnels, hurricane regions (shown as 110 MPH regions)] it is advisable to contact U.S. ARCHITECTURAL LIGHTING for further consultation.



**U.S. ARCHITECTURAL  
LIGHTING**

U.S. POLE COMPANY  
660 West Avenue O  
Palmdale, California 93551  
Toll Free (800) 877-6537  
www.usaltg.com

MADE IN THE  
**USA**