

## TRADITIONAL STYLED SPLIT BASE

# 4400 Split Base Series

**Base**

Two piece wraparound, corrosion resistant, durable cast aluminum construction. minimum .225 Wall thickness. Base consists of a smooth tapered bottom section and a decorative tapered fluted section with evenly spaced raised vertical flutes. Base is furnished with a contoured, fluted flush Hand Hole and Cover. Hand Hole Cover supplied with tamper resistant hardware. (4) 1/4"-20 Set Screws provided to secure decorative Base to Shaft.

**Finish**

Super TGIC polyester powder coating is applied onto a metal substrate this has been pretreated with a four-stage process for maximum adhesion and color retention. The top coat is baked at 400° F for maximum hardness and exterior durability.

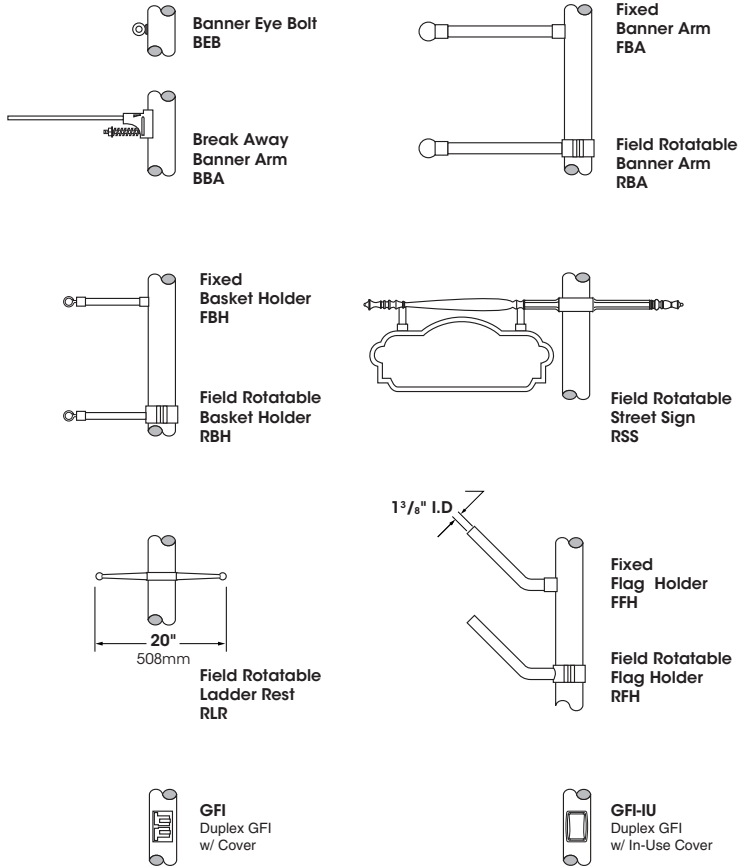

**4400SB**

4400SB-S shown

**ORDERING INFORMATION**

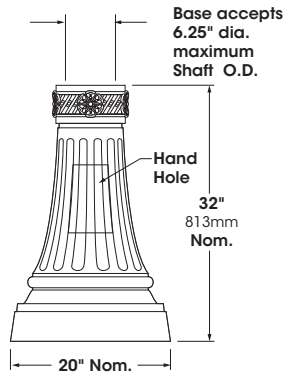
Spec/Order Example: 4400SB/RAL-9003-T/RBH

Base	Finish	Options
<input type="checkbox"/> 4400SB-A <input type="checkbox"/> 4400SB-B <input type="checkbox"/> 4400SB-C	<b>Standard Textured Finish</b> <input type="checkbox"/> Black RAL-9005-T <input type="checkbox"/> White RAL-9003-T <input type="checkbox"/> Grey RAL-7004-T <input type="checkbox"/> Dark Bronze RAL-8019-T <input type="checkbox"/> Green RAL-6005-T  <b>Premium Finishes</b> <input type="checkbox"/> Rust <input type="checkbox"/> Patina Copper PC  For smooth finish replace suffix "T" with suffix "S" (Example: RAL-9500-S)  Consult factory for custom colors	<input type="checkbox"/> Banner Eye Bolt BEB <sup>1</sup> <input type="checkbox"/> Break Away Banner Arm BBA <input type="checkbox"/> Fixed Banner Arm FBA <sup>1</sup> <input type="checkbox"/> Field Rotatable Banner Arm RBA <input type="checkbox"/> Fixed Basket Holder FBH <sup>1</sup> <input type="checkbox"/> Field Rotatable Basket Holder RBH <input type="checkbox"/> Field Rotatable Street Sign RSS <input type="checkbox"/> Field Rotatable Ladder Rest RLR <input type="checkbox"/> Fixed Flag Holder FFH <sup>1</sup> <input type="checkbox"/> Field Rotatable Flag Holder RFH <input type="checkbox"/> Duplex GFI w/ Cover GFI <sup>1</sup> <input type="checkbox"/> Duplex GFI w/ In-Use Cover GFHU <sup>1</sup>  1- Available only when purchasing a new Pole Assembly from SV Ltg

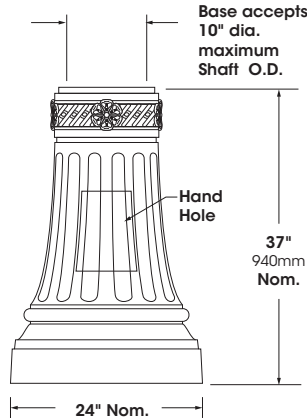
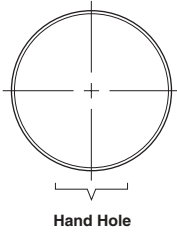
**OPTIONS**

<https://www.usaltg.com/downloads/pdf/Pole-Arm-Accessories.pdf>

2025076

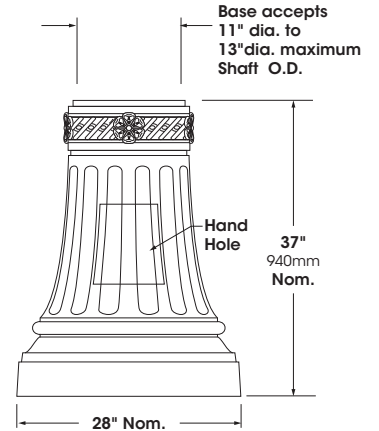
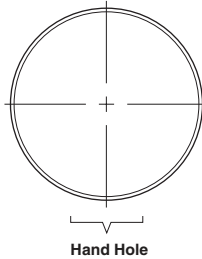
## DIMENSIONS



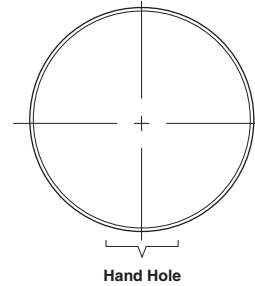
**4400SB-A**



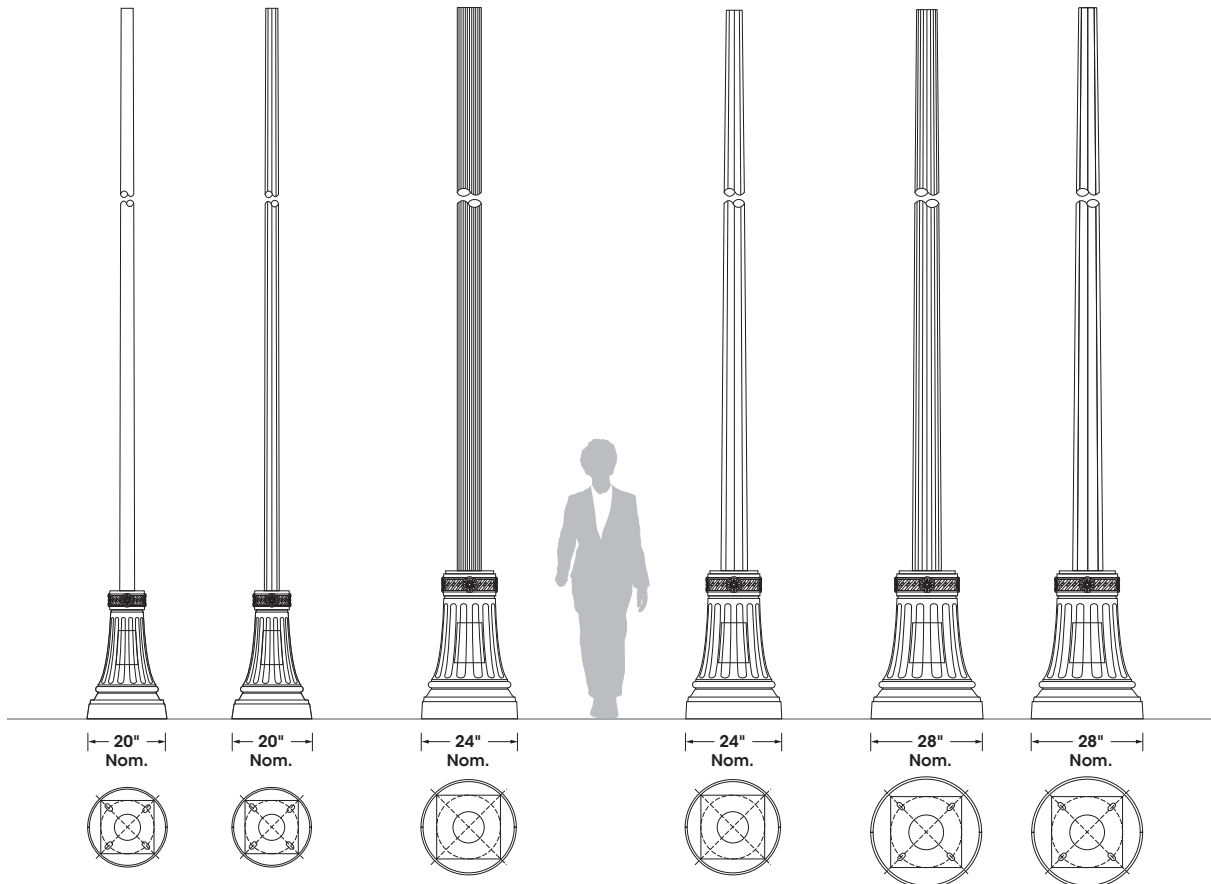
**4400SB-B**



**4400SB-C**



## SAMPLE ASSEMBLIES



Sample Assemblies show a small offering of the Sun Valley Line of Poles & Shafts.

Please visit [usaltg.com](http://usaltg.com) for the full product offering.