

## SOLID AREA LIGHTING

# BRA8 SERIES - LED

**Bollard**

Durable corrosion resistant extruded and cast aluminum construction. 1/4" wall thickness.

**LED Power Array™**

Three-dimensional array consisting of 6 individual LED tubes fastened to a retaining plate equally spaced to provide 360° of even illumination output. Each LED tube consists of a circuit board populated with a multiple of LED's which is fastened to a radial aluminum heat sink. A white Acrylic Lens and end caps protect each LED tube's internal components and provides diffusion to prevent shadowing and striations.

**Internal Louver (IL)** - A specular louver stack conceals the inner LED Power Array Module and provides uplight and glare control through the external clear Acrylic Lens.

**Cast Louver (CL)** - External cast aluminum louver stack protects the internal LED Power Array Module and provides uplight and glare control. An internal clear Acrylic Lens is integrated with the LED Power Array Module.

**Opal Lens (WA)** - Exterior white Acrylic Lens protects the internal LED Power Array Module and provides a uniform white glow.

**Radial LED Module**

LED'S are mounted to a circular heatsink in a radial array. The radial LED module is concealed in the cap of the bollard. LED's are not directly visible from angles above 90°.

**Parabolic Reflector (TR)** - A specular Parabolic Reflector reflects a portion of the distribution from the radial LED module and provides a uniform wide angle throw through the outer clear Acrylic Lens.

**LED Emitters**

High Output LED's are driven at 350mA for nominal 1 Watt output each. 70CRI Minimum. LED's are available in standard Neutral White (4000K), or optional Cool White (5000K) or Warm White (3000K). Consult Factory for other LED options.

**LED Driver**

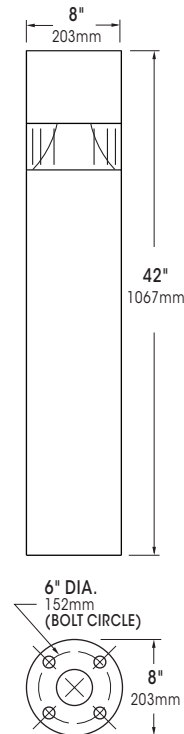
UL and CUL recognized Constant Current LED drivers operate on input voltages from 120-277VAC, 50/60hz. Consult Factory for (347-480VAC). Driver is mechanically fastened to a retaining bracket. Driver has a minimum 4KV of internal surge protection, 10KV & 20KV Surge Protector optional. Dimmable and High-Low Driver options available.

**Finish**

Electrostatically applied TGIC Polyester Powder Coat on substrate prepared with 20 PSI power wash at 140°F. Four step media blast and iron phosphate pretreatment for protection and paint adhesion. 400°F bake for maximum hardness and durability.


**BRA8**

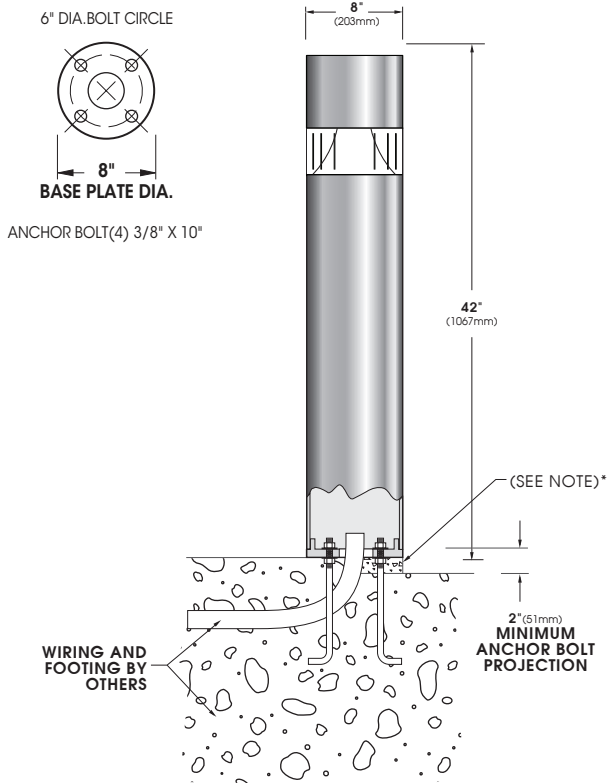
(Shown with -TR Optics)



2023320

**SPECIFICATIONS**

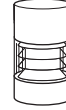
**INSTALLATION**



\*When mounting in soil, anchor bolt fasteners and other hardware must be protected from soil by grouting.

**OPTICS**

Internal Louver  
supplied with  
Clear Acrylic Lens



**IL**

Cast Louver

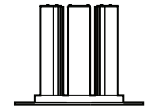


**CL**

Opal Acrylic

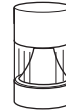


**WA**



**VPA - Vertical Array**  
Available in:  
36 LED Max.

Parabolic Reflector



**TR**



**RADIAL LED Module**  
Available in:  
18 LED Module

Model	Optics	# of LEDs	Color Temp - CCT	Voltage	Mounting	Finish	Options
<b>Model</b>	<b>Optics</b>	<b>LED</b>			<b>Mounting</b>	<b>Finish</b>	<b>Options</b>
<input type="checkbox"/> <b>BRA8-LED</b>	<b>Vertical Power Array</b> <input type="checkbox"/> Internal Louver <b>IL</b> <input type="checkbox"/> Cast Louver <b>CL</b> <input type="checkbox"/> Opal <b>WA</b>	<b># of LEDs</b> <input type="checkbox"/> <b>36LED</b> <input type="checkbox"/> <b>24LED</b>	<b>Color</b> <input type="checkbox"/> <b>NW</b> (4000K) Standard <input type="checkbox"/> <b>CW</b> (5000K) <input type="checkbox"/> <b>WW</b> (3000K) Consult Factory for Other LED Color, CCT, & CRI Options		<input type="checkbox"/> <b>Ground Installation</b> (Standard) <input type="checkbox"/> <b>Wall Mount WM</b> .....	<b>Standard Textured Finish</b> <input type="checkbox"/> <b>Black RAL-9005-T</b> <input type="checkbox"/> <b>White RAL-9003-T</b> <input type="checkbox"/> <b>Grey RAL-7004-T</b> <input type="checkbox"/> <b>Dark Bronze RAL-8019-T</b> <input type="checkbox"/> <b>Green RAL-6005-T</b> <b>Premium Finishes</b> <input type="checkbox"/> <b>Rust</b> <input type="checkbox"/> <b>Patina Copper PC</b>	<input type="checkbox"/> Dimmable driver(s) (0-10V) <b>DIM</b> <input type="checkbox"/> High-low Dimming for Hardwired Switching or Non-Integrated Motion Sensor <b>HLSW</b> <input type="checkbox"/> Internal House Side Shield <b>HS</b> <input type="checkbox"/> Duplex Receptacle (Consult factory) <b>DUP</b> <input type="checkbox"/> Ground Fault Receptacle (Consult factory) <b>GFI</b> <input type="checkbox"/> 10KV Surge Protector <b>10SP</b> <input type="checkbox"/> 20KV Surge Protector (240V & 480V only) <b>20SP</b>
	<b>Radial LED Array</b> <input type="checkbox"/> Parabolic Reflector <b>PR</b>	<input type="checkbox"/> <b>18LED</b>	<b>Voltage</b> <input type="checkbox"/> <b>UNV</b> (120-277) <input type="checkbox"/> <b>347</b> <input type="checkbox"/> <b>480</b>			<input type="checkbox"/> <b>Rust</b> <input type="checkbox"/> <b>Patina Copper PC</b>	<input type="checkbox"/> 10KV Surge Protector <b>10SP</b> <input type="checkbox"/> 20KV Surge Protector (240V & 480V only) <b>20SP</b> <b>Optional Heights:</b> <input type="checkbox"/> <b>30"</b> <input type="checkbox"/> <b>36"</b>