

SOLID AREA LIGHTING

BRAC8 SERIES - LED

Concrete Riser

Natural precast concrete body with light sandblast finish. A graffiti resistant sealer is applied to the surface. Internal electro-zinc plated steel cage provides additional strength for the structure and has threaded inserts welded to it for mounting the base plate and optical assembly. Base plate is 1/4" galvanized steel.

Top Cap

Durable, corrosion resistant cast aluminum (A356 alloy; <0.2% copper) construction.

LED Power Array™

Three-dimensional array consisting of 6 individual LED tubes fastened to a retaining plate equally spaced to provide 360° of even illumination output. Each LED tube consists of a circuit board populated with a multiple of LED's which is fastened to a radial aluminum heat sink. A white Acrylic Lens and end caps protect each LED tube's internal components and provides diffusion to prevent shadowing and striations.

Internal Louver (IL) - A specular louver stack conceals the inner LED Power Array Module and provides uplight and glare control through the external clear Acrylic Lens.

Cast Louver (CL) - External cast aluminum louver stack protects the internal LED Power Array Module and provides uplight and glare control. An internal clear Acrylic Lens is integrated with the LED Power Array Module.

Opal Lens (WA) - Exterior white Acrylic Lens protects the internal LED Power Array Module and provides a uniform white glow.

Radial LED Module

LED'S are mounted to a circular heatsink in a radial array. The radial LED module is concealed in the cap of the bollard. LED's are not directly visible from angles above 90°.

Parabolic Reflector (TR) - A specular Parabolic Reflector reflects a portion of the distribution from the radial LED module and provides a uniform wide angle throw through the outer clear Acrylic Lens.

LED Emitters

High Output LED's are driven at 350mA for nominal 1 Watt output each. 70CRI Minimum. LED's are available in standard Neutral White (4000K), or optional Cool White (5000K) or Warm White (3000K). Consult Factory for other LED options.

LED Driver

UL and CUL recognized Constant Current LED drivers operate on input voltages from 120-277VAC, 50/60hz. Consult Factory for (347-480VAC). Driver is mechanically fastened to a retaining bracket. Driver has a minimum 4KV of internal surge protection, 10KV & 20KV Surge Protector optional. Dimmable and High-Low Driver options available.

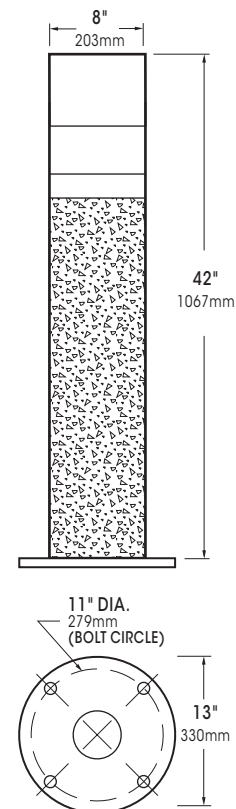
Finish

Electrostatically applied TGIC Polyester Powder Coat on substrate prepared with 20 PSI power wash at 140°F. Four step media blast and iron phosphate pretreatment for protection and paint adhesion. 400°F bake for maximum hardness and durability.



BRAC8

Shown with -WA Optics



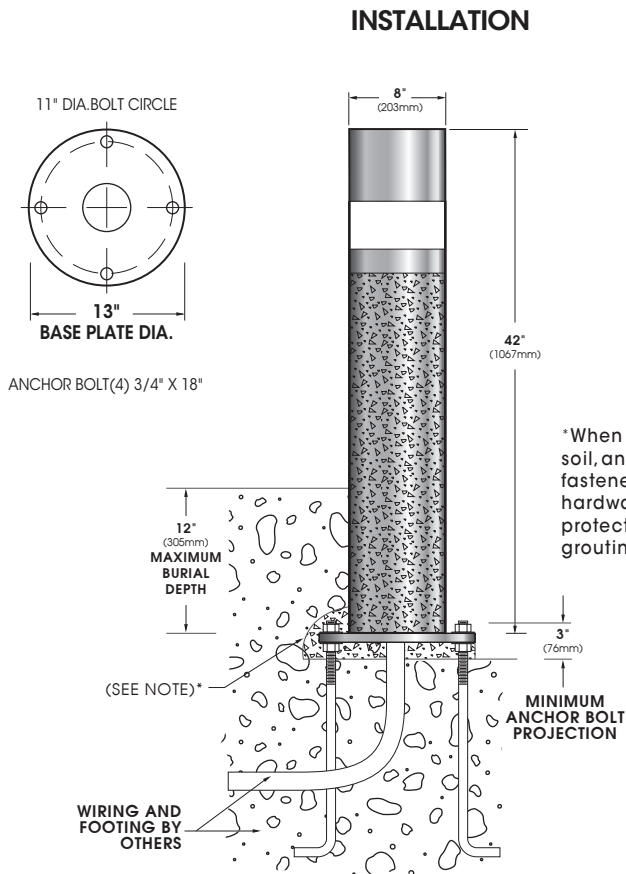
BABA compliant



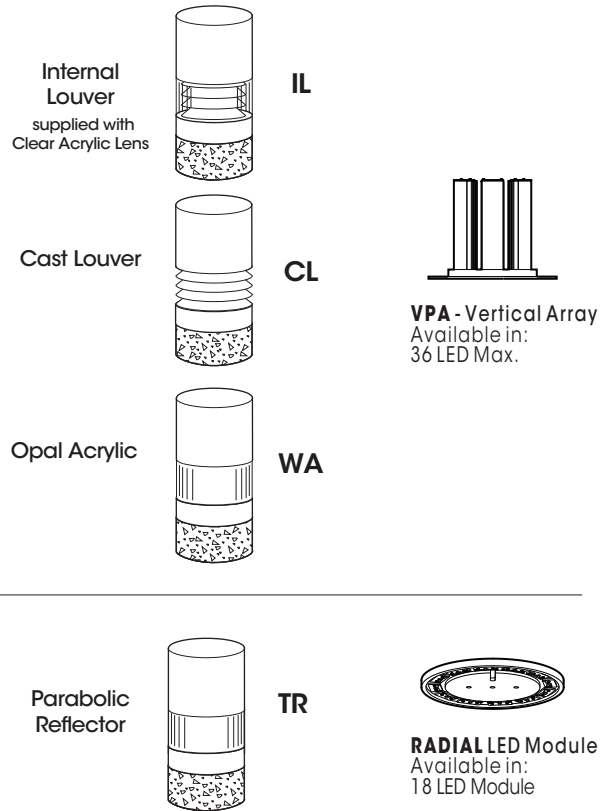
U.L. Listed for Wet Location

2023320

SPECIFICATIONS



OPTICS



ORDERING INFORMATION

Spec/Order Example: BRAC8/IL/36LEDWWUNV/RAL-7004/36"

| Model | Optics | # of LEDs | Color Temp - CCT | Voltage | Mounting | Finish | Options |
|------------------------------------|---|--|---|--|----------------------------|--|---|
| <input type="checkbox"/> BRAC8-LED | <input type="checkbox"/> Internal Louver IL <input type="checkbox"/> Cast Louver CL <input type="checkbox"/> Opal Acrylic WA | <input type="checkbox"/> 36LED <input type="checkbox"/> 24LED | <input type="checkbox"/> NW (4000K) Standard <input type="checkbox"/> CW (5000K) <input type="checkbox"/> WW (3000K) Consult Factory for Other LED Color, CCT, & CRI Options | <input type="checkbox"/> UNV (120-277) <input type="checkbox"/> 347 <input type="checkbox"/> 480 | GROUND INSTALLATION | Standard Textured Finish <input type="checkbox"/> Black RAL-9005-T <input type="checkbox"/> White RAL-9003-T <input type="checkbox"/> Grey RAL-7004-T <input type="checkbox"/> Dark Bronze RAL-8019-T <input type="checkbox"/> Green RAL-6005-T Premium Finishes <input type="checkbox"/> Rust <input type="checkbox"/> Patina Copper PC | <input type="checkbox"/> Dimmable driver(s) (0-10V) DIM <input type="checkbox"/> High-Low Dimming for Hardwired Switching or Non-Integrated Motion Sensor HLSW <input type="checkbox"/> Internal House Side Shield HS <input type="checkbox"/> Duplex Receptacle (Consult factory) DUP <input type="checkbox"/> Ground Fault Receptacle (Consult factory) GFI <input type="checkbox"/> 10KV Surge Protector 10SP <input type="checkbox"/> 20KV Surge Protector (240V & 480V only) 20SP Optional Heights: <input type="checkbox"/> 30" <input type="checkbox"/> 36" |
| | <input type="checkbox"/> Radial LED Array <input type="checkbox"/> Parabolic Reflector PR | <input type="checkbox"/> 18LED | | | | For smooth finish replace suffix "T" with suffix "S" (Example: RAL-9500-S) Consult factory for custom colors | |

SOLID AREA LIGHTING

BRAC12 SERIES - LED

Concrete Riser

Natural precast concrete body with light sandblast finish. A graffiti resistant sealer is applied to the surface. Internal electro-zinc plated steel cage provides additional strength for the structure and has threaded inserts welded to it for mounting the base plate and optical assembly. Base plate is 1/4" galvanized steel.

Top Cap

Durable, corrosion resistant cast aluminum (A356 alloy; <0.2% copper) construction.

LED Power Array™

Three-dimensional array consisting of (6) or (8) individual LED Tubes fastened to a retaining plate. Each LED Tube consists of circuit board populated with a multiple of LED's and is mechanically fastened to a radial aluminum heat sink. An Acrylic Lens and end cap protects the LED Tube's internal components.

Cast Louver (CL)

External louver stack consisting of individual cast aluminum (A356 alloy; <0.2% copper) louver vanes which index together and are mechanically bonded to form a unified assembly. The louver stack is fastened to the concrete riser via threaded inserts. An internal clear Acrylic Lens is integrated with the LED Power Array module.

LED Emitters

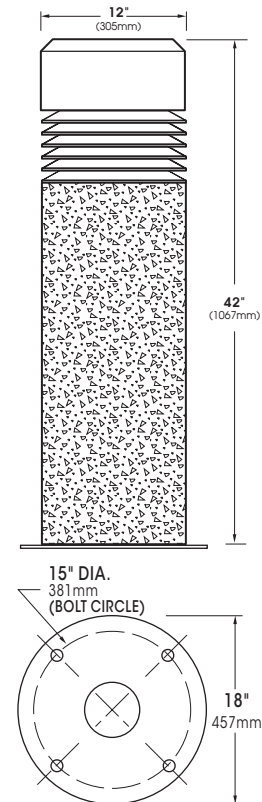
High Output LED's are driven at 350mA for nominal 1 Watt output each. 70CRI Minimum. LED's are available in standard Neutral White (4000K), or optional Cool White (5000K) or Warm White (3000K). Consult Factory for other LED options.

LED Driver

UL and CUL recognized Constant Current LED drivers operate on input voltages from 120-277VAC, 50/60hz. Consult Factory for (347-480VAC). Driver is mechanically fastened to a retaining bracket. Driver has a minimum 4KV of internal surge protection, 10KV & 20KV Surge Protector optional. Dimmable and High-Low Driver options available.

Finish

Electrostatically applied TGIC Polyester Powder Coat on substrate prepared with 20 PSI power wash at 140°F. Four step media blast and iron phosphate pretreatment for protection and paint adhesion. 400°F bake for maximum hardness and durability.


BRAC12


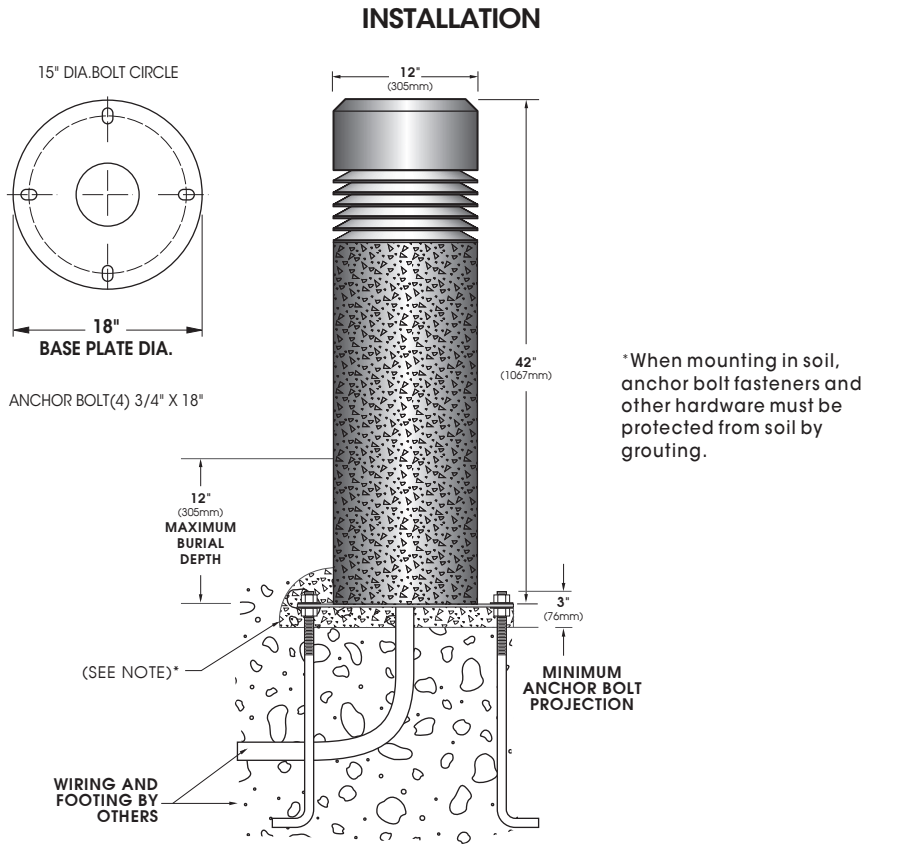
BABA compliant



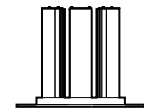
U.L. Listed for Wet Location

2023320

DRILLING SIDE MOUNT



OPTICS



VPA - Vertical Array
Available in:
48 LED Max.

ORDERING INFORMATION

Spec/Order Example: BRAC12/CL/48LEDNWUNV/DB/RAL-6005/10SP

| Model | Optics | # of LEDs | Color Temp - CCT | Mounting | Finish | Options |
|--|--|---|--|---|---|--|
| <input type="checkbox"/> BRAC12-LED | <input type="checkbox"/> Cast Louver CL | <input type="checkbox"/> 48LED <input type="checkbox"/> 36LED <input type="checkbox"/> 24LED | <input type="checkbox"/> NW (4000K) Standard <input type="checkbox"/> CW (5000K) <input type="checkbox"/> WW (3000K) Consult Factory for Other LED Color, CCT, & CRI Options | <input type="checkbox"/> Ground Installation (Standard) <input type="checkbox"/> Direct Burial DB | <input type="checkbox"/> Black RAL-9005-T <input type="checkbox"/> White RAL-9003-T <input type="checkbox"/> Grey RAL-7004-T <input type="checkbox"/> Dark Bronze RAL-8019-T <input type="checkbox"/> Green RAL-6005-T <input type="checkbox"/> Premium Finishes <input type="checkbox"/> Rust <input type="checkbox"/> Patina Copper PC <small>For smooth finish replace suffix "T" with suffix "S" (Example: RAL-9500-S) Consult factor for custom colors</small> | <input type="checkbox"/> Dimmable driver(s) (0-10V) DIM <input type="checkbox"/> High-low Dimming for Hardwired Switching or Non-Integrated Motion Sensor HLSW <input type="checkbox"/> Internal House Side Shield HS <input type="checkbox"/> Duplex Receptacle (Consult factory) DUP <input type="checkbox"/> Ground Fault Receptacle (Consult factory) GFI <input type="checkbox"/> 10KV Surge Protector 10SP <input type="checkbox"/> 20KV Surge Protector (240V & 480V only) 20SP Optional Heights: <input type="checkbox"/> 30" <input type="checkbox"/> 36" |

SOLID AREA LIGHTING

BRAC18 SERIES - LED

Concrete Riser

Natural precast concrete body with light sandblast finish. A graffiti resistant sealer is applied to the surface. Internal electro-zinc plated steel cage provides additional strength for the structure and has threaded inserts welded to it for mounting the base plate and optical assembly. Base plate is 1/4" galvanized steel.

Top Cap

Durable, corrosion resistant cast aluminum (A356 alloy; <0.2% copper) construction.

LED Power Array™

Three-dimensional array consisting of (6) or (8) individual LED Tubes fastened to a retaining plate. Each LED Tube consists of circuit board populated with a multiple of LED's and is mechanically fastened to a radial aluminum heat sink. An acrylic lens and end cap protects the LED Tube's internal components.

Cast Louver (CL)

External louver stack consisting of individual cast aluminum (A356 alloy; <0.2% copper) louver vanes which index together and are mechanically bonded to form a unified assembly. The louver stack is fastened to the concrete riser via threaded inserts. An internal clear acrylic lens is integrated with the LED Power Array module.

LED Emitters

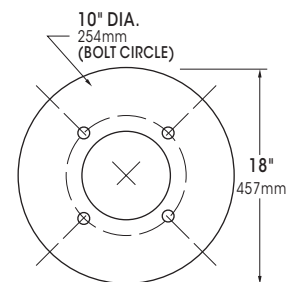
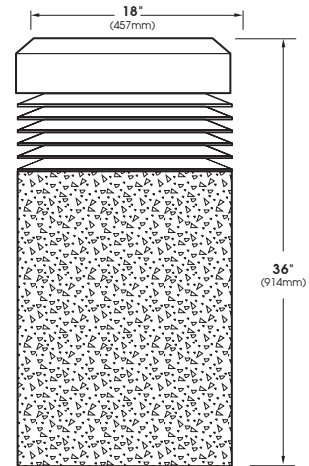
High Output LED's are driven at 350mA for nominal 1 Watt output each. 70CRI Minimum. LED's are available in standard Neutral White (4000K), or optional Cool White (5000K) or Warm White (3000K). Consult Factory for other LED options.

LED Driver

UL and CUL recognized Constant Current LED drivers operate on input voltages from 120-277VAC, 50/60hz. Consult Factory for (347-480VAC). Driver is mechanically fastened to a retaining bracket. Driver has a minimum 4KV of internal surge protection, 10KV & 20KV Surge Protector optional. Dimmable and High-Low Driver options available.

Finish

Electrostatically applied TGIC Polyester Powder Coat on substrate prepared with 20 PSI power wash at 140°F. Four step media blast and iron phosphate pretreatment for protection and paint adhesion. 400°F bake for maximum hardness and durability..


BRAC18


BABA compliant

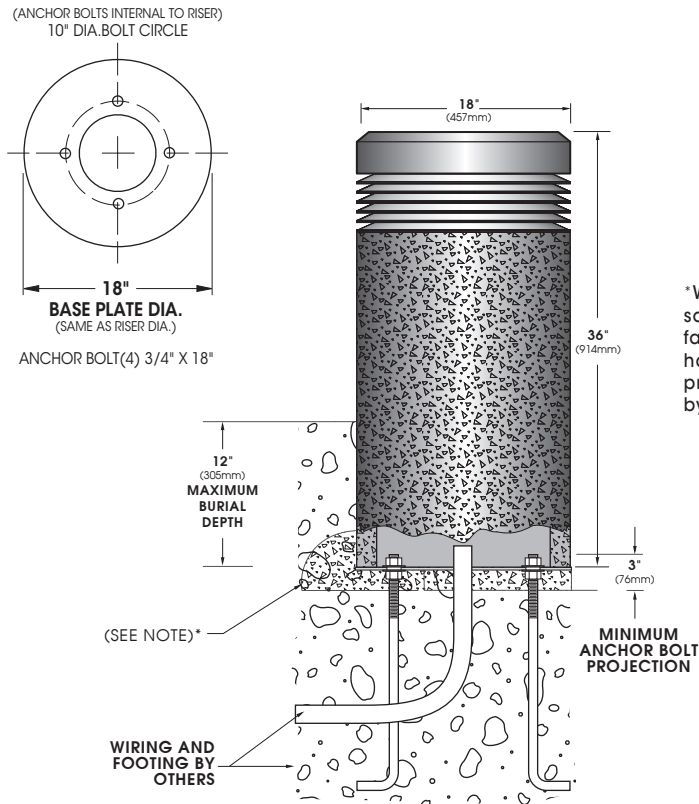


U.L. Listed for Wet Location

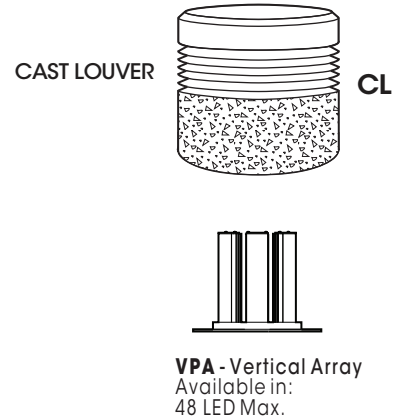
2023320

SPECIFICATIONS

INSTALLATION



OPTICS



ORDERING INFORMATION

Spec/Order Example: BRAC18/CL/48LEDNWUNV/RAL-6005/10SP

| Model | Optics | # of LEDs | Color Temp - CCT | Voltage | Mounting | Finish | Options |
|-------------------------------------|---|--|---|--|--|--|---|
| <input type="checkbox"/> BRAC18-LED | <input type="checkbox"/> Cast Louver CL | <input type="checkbox"/> 48LED <input type="checkbox"/> 36LED <input type="checkbox"/> 24LED | <input type="checkbox"/> NW (4000K) Standard <input type="checkbox"/> CW (5000K) <input type="checkbox"/> WW (3000K) Consult Factory for Other LED Color, CCT, & CRI Options | <input type="checkbox"/> UNV (120-277) <input type="checkbox"/> 347 <input type="checkbox"/> 480 | <input type="checkbox"/> Ground Installation (Standard) <input type="checkbox"/> Direct Burial DB | <input type="checkbox"/> Standard Textured Finish <input type="checkbox"/> Black RAL-9005-T <input type="checkbox"/> White RAL-9003-T <input type="checkbox"/> Grey RAL-7004-T <input type="checkbox"/> Dark Bronze RAL-8019-T <input type="checkbox"/> Green RAL-6005-T <input type="checkbox"/> Premium Finishes <input type="checkbox"/> Rust <input type="checkbox"/> Patina Copper PC For smooth finish replace suffix "T" with suffix "S" (Example: RAL-9500-S) | <input type="checkbox"/> Dimmable driver(s) (0-10V) DIM <input type="checkbox"/> High-low Dimming for Hardwired Switching or Non-Integrated Motion Sensor HLSW <input type="checkbox"/> Internal House Side Shield HS <input type="checkbox"/> Duplex Receptacle (Consult factory) DUP <input type="checkbox"/> Ground Fault Receptacle (Consult factory) GFI <input type="checkbox"/> 10KV Surge Protector 10SP <input type="checkbox"/> 20KV Surge Protector (240V & 480V only) 20SP Optional Heights: <input type="checkbox"/> 30" <input type="checkbox"/> 36" |