

SOLID AREA LIGHTING PLED SERIES

COLONIAL - BOLLARD

Bollard

Durable, corrosion resistant, heavy cast low copper aluminum assembly (A356 alloy, <0.2% copper). Minimum wall thickness is .188". Traditional styling of the housing provided with cast aluminum housing top hinges for easy access. All hardware is stainless steel.

PLED™ Optics

Emitters (LED's) are arrayed on a metal core PCB panel with each emitter located on a copper thermal transfer pad and enclosed by an LED refractor. LED optics completely seal each individual emitter to meet an IP66 rating. In asymmetric distributions, a micro-reflector inside the refractor re-directs the house side emitter output towards the street side, maximizing usable light. Optional house side shields are available that cover each individual optic. Refractors are injection molded H12 acrylic. Each LED refractor is sealed to the PCB over an emitter and all refractors are retained by an aluminum frame. Any one Panel, or group of Panels in a luminaire, have the same optical pattern. LED refractors produce standard site/area distributions. Panels are field replaceable and field rotatable in 90° increments. Quick-disconnects are provided above each panel for fast field replacement. No lens (NL) and all flat lens options will provide "U0" no uplight optical packages that are Dark Sky friendly.

LED Emitters

LED thermal management is designed to maintain LED operating temperature below 90 °C, well below the manufacturers thermal max of 150 °C for long life, high lumen maintenance and color stabilit. High Power White LED's are driven between 350mA and 875mA for a maximum output of 2.5 Watts nominal. LED's are available in standard 2700K & 3000K, 4000K, or 5000K. All Standard LED's have a minimum of 70 CRI. Consult Factory for other LED options. Lumen Maintenance of L94 at 60,000 hours (TM-21 calculated at 6x Test Time).

Amber LED's

PCA (Phosphor Converted Amber) LED's utilize phosphors to create color output similar to LPS lamps and have a slight output in the blue spectral bandwidth. **TRA** (True Amber) LED's utilize material that emits light in the amber spectral bandwidth centered on 585-590nm. True Amber has negligible blue light and is suitable for wildlife.

LED Driver

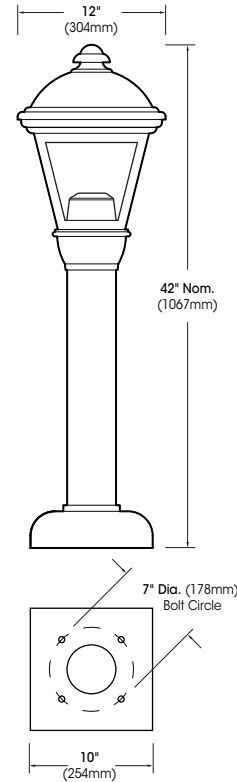
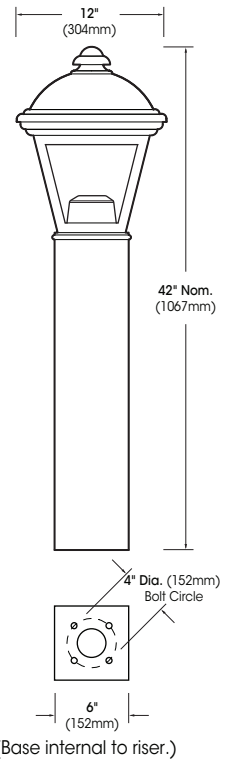
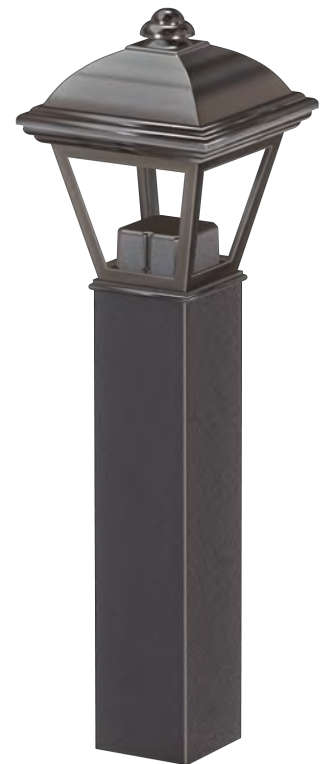
Constant current electronic with a power factor of >.90 and a minimum operating temperature of -40°F/-40°C. Driver(s) is/are UL and cUL recognized. In-line terminal blocks facilitate wiring between the driver and optical arrays. Drivers accept an input of 120-277V, 50/60Hz or 347V-480V, 50,60Hz. (0 - 10V dimmable driver is standard. Driver has a minimum of 3KV internal surge protection. Luminaire supplied with 20KV surge protector for field installation.)

Finish

Super TGIC polyester powder coating is applied onto a metal substrate this has been pretreated with a four-stage process for maximum adhesion and color retention. The top coat is baked at 400° F for maximum hardness and exterior durability.

PROJECT NAME: _____

PROJECT TYPE: _____

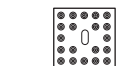
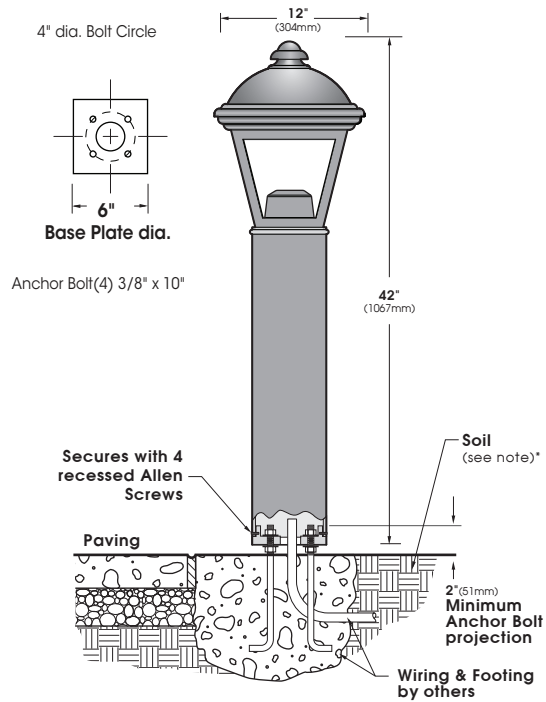
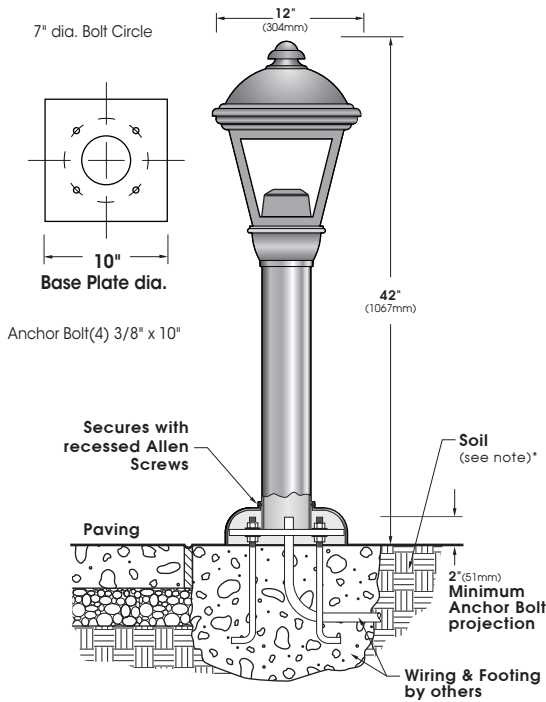

COLB1

COLB2


2025062

SPECIFICATIONS

INSTALLATION

PLED™ Module



20 LED Module



12 LED Module

*when mounting in soil, anchor bolt fasteners and other hardware must be protected from soil by grouting.

ORDERING INFORMATION

Spec/Order Example: COLB2/PLED-ASY/20LED-175mA/27K/480/8019/DF

Model	Optics	# of LEDs	Color Temp - CCT	Voltage	Finish	Options
Model	Optics	LED			Finish	Options
<input type="checkbox"/> COLB1-LED (Round Riser) <input type="checkbox"/> COLB2-LED (Square Riser)	PLED™ (no Lens & Clear Patterned Acrylic Lens) <ul style="list-style-type: none"> <input type="checkbox"/> PLED-II <input type="checkbox"/> PLED-II-FR <input type="checkbox"/> PLED-III-M <input type="checkbox"/> PLED-III-W <input type="checkbox"/> PLED-IV <input type="checkbox"/> PLED-IV-FT <input type="checkbox"/> PLED-V-SQ-N <input type="checkbox"/> PLED-V-SQ-M <input type="checkbox"/> PLED-V-SQ-W PLED™ (Opal White Acrylic Lens) <ul style="list-style-type: none"> <input type="checkbox"/> PLED-ASY-N <input type="checkbox"/> PLED-ASY-W 	<input type="checkbox"/> 20LED <input type="checkbox"/> 12LED	<input type="checkbox"/> 175mA <input type="checkbox"/> 350mA	<input type="checkbox"/> 27K (2700K) <input type="checkbox"/> 30K (3000K) <input type="checkbox"/> 40K (4000K) <input type="checkbox"/> 50K (5000K) Consult Factory for Other LED Color, CCT, & CRI Options <input type="checkbox"/> TRA True Amber* *TRA Available only in 350mA Drive Currents	Standard Textured Finish <ul style="list-style-type: none"> <input type="checkbox"/> Black 9005-T <input type="checkbox"/> White 9003-T <input type="checkbox"/> Grey 7004-T <input type="checkbox"/> Dark Bronze 8019-T <input type="checkbox"/> Green 6005-T Premium Finishes <ul style="list-style-type: none"> <input type="checkbox"/> Rust <input type="checkbox"/> Patina Copper PC For smooth finish replace suffix "T" with suffix "S" (Example: 9500-S) Consult factory for custom colors	<ul style="list-style-type: none"> <input type="checkbox"/> Dimmable driver(s) (0-10V) DIM <input type="checkbox"/> High-low Dimming for Hardwired Switching or Non-Integrated Motion Sensor HLSW <input type="checkbox"/> Internal House Side Shield HS <input type="checkbox"/> 10KV Surge Protector 10SP <input type="checkbox"/> 20KV Surge Protector (240V & 480V only) 20SP <input type="checkbox"/> Photo Cell + Voltage (Example: PC120V) PC+V <input type="checkbox"/> Single Fuse (120V, 277V) SF <input type="checkbox"/> Double Fuse (208V, 240V) DF <input type="checkbox"/> Opal Acrylic Diffuser WA Consult factory for dimming options