

VLED AREA & ROADWAY LIGHTING

DEZINER SERIES 8

Mid Sized Neoclassical, Domed Bell Luminaire

Features

The NEW Deziner Series is a flexible, configurable pedestrian scale decorative pendant luminaire with an 8.4" diameter upper housing of 0.125" thick formed aluminum with a large assortment of spun aluminum shades and ornamental options. Each lower housing is comprised of a 0.080" thick spun aluminum reflector with an integrated LED module seat, thermal management for long LED life and a thermally isolated solid state power supply chamber. Trulevel™ ball coupling.

VLED™ Optics

Emitters (LED's) are arrayed on a metal core PCB panel with each emitter located on a copper thermal transfer pad and enclosed by an LED refractor. LED optics completely seal each individual emitter to meet an IP66 rating. In asymmetric distributions, a micro-reflector inside the refractor re-directs the house side emitter output towards the street side and functions as a house side shielding element. Refractors are injection molded H12 acrylic. Each LED refractor is sealed to the PCB over an emitter and all refractors are retained by an aluminum frame. Any one Panel, or group of Panels in a luminaire, have the same optical pattern. LED refractors produce standard site/area distributions. All optics are U0, Zero Uplight and are Dark Sky compliant. Panels are field replaceable and field rotatable in 90° increments.

LED Emitters

High Power White LED's are driven between 350mA and 875mA for a maximum output of 2.5 Watts nominal. LED's are available in standard Warm White (2700K & 3000K), Neutral White (4000K), or Cool White (5000K). All Standard LED's have a minimum of 70 CRI. Consult Factory for other LED options. Lumen Maintenance of L93 at 100,000 hours (TM-21 calculated at 6x Test Time) for all LED options.

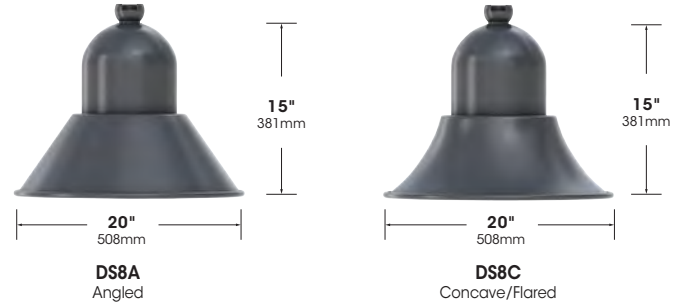
True Amber LED's TRA-True Amber LED's emit light in the amber spectral bandwidth centered on 585-590nm. True Amber has negligible blue light and is suitable for wildlife.

LED Driver

Constant current electronic with a power factor of >.90 and a minimum operating temperature of -40°F/-40°C. Driver(s) is/are UL and cUL recognized and mounted directly against the Electrical Housing to facilitate thermal transfer, held down by universal clamps to facilitate easy removal. In-line terminal blocks facilitate wiring between the driver and optical arrays. Drivers accept an input of 120-277V (UNV), 50/60Hz or 347V & 480V, 50,60Hz. 0 - 10V dimmable driver is standard. Driver has a minimum of 3KV internal surge protection. Luminaire supplied with 20KV surge protector for field accessible installation.)

Finish

Super TGIC polyester powder coating is applied onto a metal substrate this has been pretreated with a four-stage process for maximum adhesion and color retention. The top coat is baked at 400° F for maximum hardness and exterior durability.





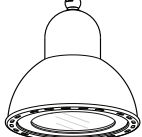
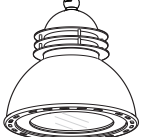
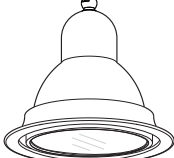
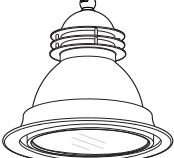




The mid sized models within the Deziner Series, offer 5 customizable styles available with unlit Bands.

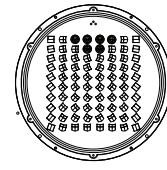


PRODUCT CONFIGURATIONS

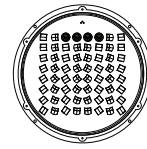
EPA & WEIGHT

Base Model	w/ unlit Bands
 <p>DS8A Max Weight = 23 lbs Max EPA = 0.84 80 LED Max</p>	 <p>DS8AB Max Weight = 24 lbs Max EPA = 0.85 80 LED Max</p>
 <p>DS8C Max Weight = 23 lbs Max EPA = 0.81 80 LED Max</p>	 <p>DS8CB Max Weight = 24 lbs Max EPA = 0.82 80 LED Max</p>
 <p>DS8D Max Weight = 24 lbs Max EPA = 1.12 80 LED Max</p>	 <p>DS8DB Max Weight = 25 lbs Max EPA = 1.13 80 LED Max</p>
 <p>DS8S Max Weight = 26 lbs Max EPA = 1.19 80 LED Max</p>	 <p>DS8SB Max Weight = 27 lbs Max EPA = 1.20 80 LED Max</p>
 <p>DS8T Max Weight = 22 lbs Max EPA = 0.86 80 LED Max</p>	 <p>DS8TB Max Weight = 23 lbs Max EPA = 0.87 80 LED Max</p>

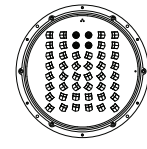
VLED™ MODULES



80 LED Module







64 LED Module










48 LED Module

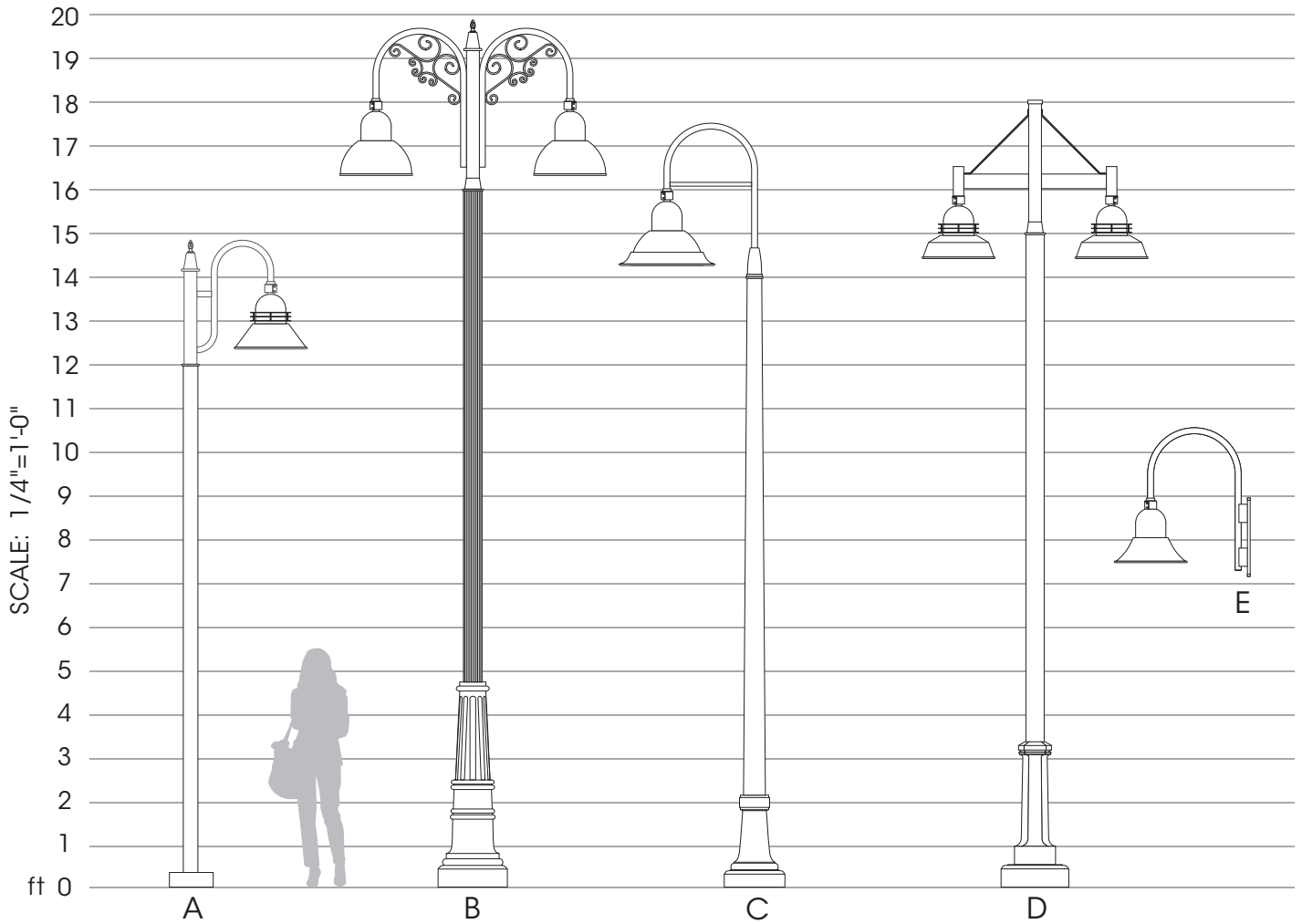
ORDERING INFORMATION

Spec/Order Example: DS8D/VLED-II/80LED-525mA/40K/347/2-90/RAL-9003-S/TPR

Luminaire	Shade	Optics	# of LEDs	Drive Current	Color Temp - CCT	Voltage
Luminaire	Shade	Optics	LED			Voltage
<input type="checkbox"/> DS8	<input type="checkbox"/> Angled A <input type="checkbox"/> Angled w/ unlit Bands AB <input type="checkbox"/> Concave/Flared C <input type="checkbox"/> Concave/Flared w/ unlit Bands CB <input type="checkbox"/> Deep Bell D <input type="checkbox"/> Deep Bell w/ unlit Bands DB <input type="checkbox"/> Hooded H <input type="checkbox"/> Hooded w/ unlit Bands HB <input type="checkbox"/> Skirted S <input type="checkbox"/> Skirted w/ unlit Bands SB <input type="checkbox"/> Tiered T <input type="checkbox"/> Tiered w/ unlit Bands TB	VLED™ Distribution Type <input type="checkbox"/> VLED-II  <input type="checkbox"/> VLED-III  <input type="checkbox"/> VLED-IV  <input type="checkbox"/> VLED-V-SQ-M 	<input type="checkbox"/> 80LED <input type="checkbox"/> 700mA¹ <input type="checkbox"/> 27K (2700K) <input type="checkbox"/> 64LED <input type="checkbox"/> 525mA <input type="checkbox"/> 30K (3000K) <input type="checkbox"/> 48LED <input type="checkbox"/> 350mA <input type="checkbox"/> 40K (4000K) <input type="checkbox"/> 50K (5000K) <input type="checkbox"/> TRA² True Amber	<input type="checkbox"/> UNV (120-277) <input type="checkbox"/> 347 <input type="checkbox"/> 480		
	NOTES: 1 - 700mA drive current available in 64LED and 48LED only 2- TRA available in 350mA & 525mA Drive Currents only Consult factory for other CCT, CRI, & Drive Current options					

Mounting	Finish	Options
Mounting	Finish	Options
Arm Mount <input type="checkbox"/> 1  <input type="checkbox"/> 2-180  <input type="checkbox"/> 2-90  <input type="checkbox"/> 3-90  <input type="checkbox"/> 3-120  <input type="checkbox"/> 4-90  Wall Mount <input type="checkbox"/> WM  WM - Wall Mount provided with mounting bracket and cover.	Standard Textured Finish <input type="checkbox"/> Black RAL-9005-T <input type="checkbox"/> White RAL-9003-T <input type="checkbox"/> Grey RAL-7004-T <input type="checkbox"/> Dark Bronze RAL-8019-T <input type="checkbox"/> Green RAL-6005-T Premium Finishes <input type="checkbox"/> Rust <input type="checkbox"/> Patina Copper PC For smooth finish replace suffix 'T' with suffix 'S' (Example: RAL-9500-S) Consult factor for custom colors	<input type="checkbox"/> Internal House Side Shield incl. LED Count (Example: HS-VLED/48) HS-VLED <input type="checkbox"/> Twist Lock Receptable Only TPR <input type="checkbox"/> 7-Pin Twist Lock Receptable Only TPR7 <input type="checkbox"/> High-Low Dimming for Switch by Others/Select Levels 50/100 or 25/100 (Example: HLSW/25) HLSW <input type="checkbox"/> Twist Lock Photocell + Voltage (Example: TPC347V) TPC+V <input type="checkbox"/> Photocell + Voltage (Example: PC120V) PC+V <input type="checkbox"/> Single Fuse (Example: DF277V) SF+V <input type="checkbox"/> Double Fuse (Example: DF240V) DF+V <input type="checkbox"/> Blue-Tooth Programmable Photo/Motion Sensor (Factory - Motion 50/100; Photo 75fc) MS-F311
Pendant Mount <input type="checkbox"/> Stem Mount + Length(in) (48" Max - not available w/ DS8S) SM+L <input type="checkbox"/> Chain Mount + Length(in) (48" Max - not available w/ DS8S) CM+L <input type="checkbox"/> Cable Clamp J-Box CCB <input type="checkbox"/> Cross Cable Clamp J-Box CCC		

SAMPLE ASSEMBLIES

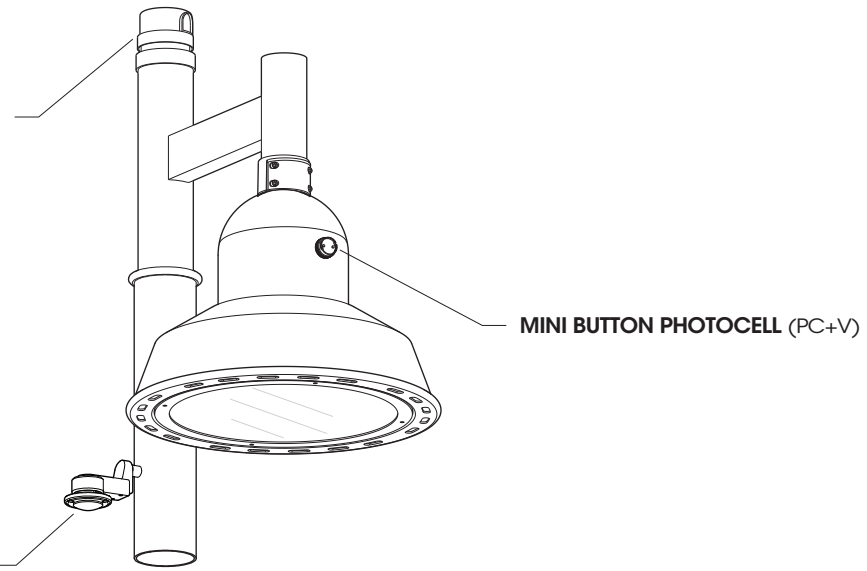


- A. RNTA-124-125/XPJ-1/DS8AB/LED/ACCESSORIES/FINISH
- B. 36-1070-16'-0" /XPC-2-180/DS8D/LED/ACCESSORIES/FINISH
- C. 75-1046T-14'-0" /XPS-1/DS8S/LED/ACCESSORIES/FINISH
- D. 11-1050-15'-0" /XAS-2-180/DS8TB/LED/ACCESSORIES/FINISH
- E. XPL-WM/DS8C/LED/ACCESSORIES/FINISH

Sample Assemblies show a small offering of the Sun Valley Line of Poles, Bases, Shafts, Arms, & Luminaires. Please visit usalgt.com for the full product offering.

OPTIONS

Optional: **PHOTOCELL SENSOR (TPC+V)**,
3-PIN RECEPTACLE (TPR) or
7-PIN RECEPTACLE (TPR7)
 TPR = TWIST LOCK PHOTOCELL RECEPTACLE



MINI BUTTON PHOTOCELL (PC+V)

**POLE MOUNTED
 MFS-311 BLUETOOTH
 PHOTO/MOTION SENSOR**

Factory Settings:
 No Motion - 50%
 Motion - 100%
 Delay - 15 min.
 Photo cell - 75fc

Sensors can be Field
 Programmed With
 Bluetooth App

High Low Dimming For Switches (HLSW)

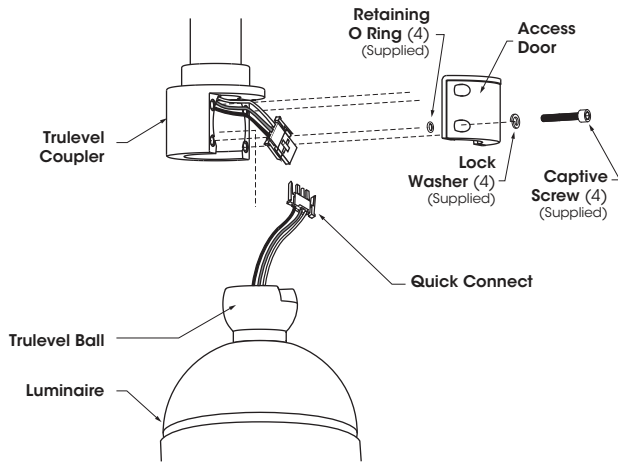
The HLSW is a Small Electronic Switch which Provides High Low Dimming Control Through the LED Driver's 0-10V Control. Switching is Done by Adding a Secondary AC Switched Hot Trigger Line to the HLSW in Addition to the Normal AC Power Line. When the Secondary Trigger Line is Powered, the Fixture will go to 100% Dimming. With no Power to the Trigger, the Fixture will operate at 50% or 25% Dimming. Switches for the Trigger Line can be a Normal AC Switch/Breaker or Timed Switch/Breaker.

Wireless and Other Fixture Controls

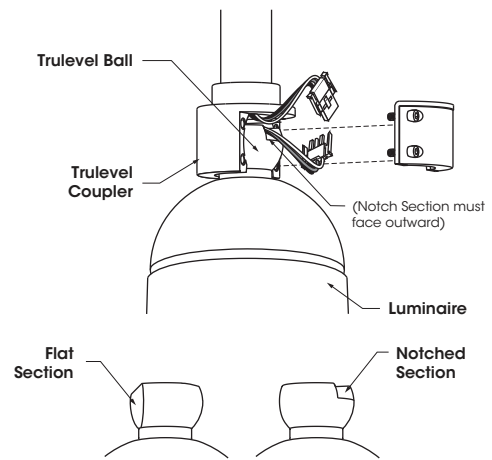
Contact Factory for Wireless and Other Fixture Controls and Recommendations. Most Controls Can be Integrated and Factory Installed.

INSTALLATION DETAIL

Trulevel System® Assembly



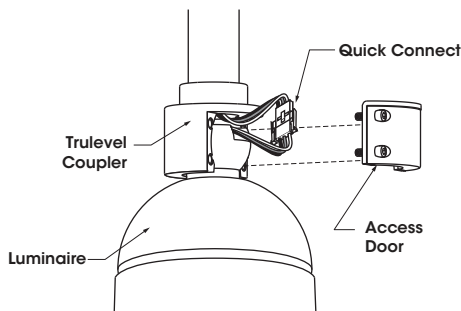
1. Loosen (4) Captive Screws and remove Access Door from Trulevel Coupler, pull out Quick Connect from Trulevel Coupler and Trulevel Ball.



2. Place Trulevel Ball inside of Trulevel Coupler as illustrated.

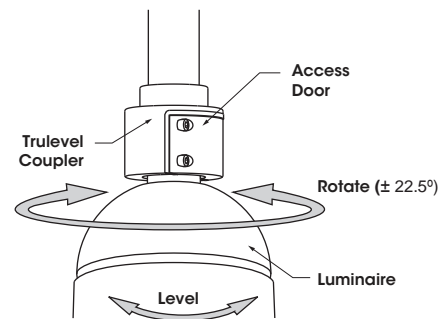
A - Notched Section of Trulevel Ball must face outward as illustrated.

B - Flat Section of Trulevel Ball must face inward.



3. Connect Quick Connect components, push components inside of Trulevel Coupler cavity, replace Access Door and loosely secure, do not tighten.

Fixture will suspend without Access Door during installation.



4. Rotate (left to right $\pm 22.5^\circ$) and level Luminaire to desired position. Tighten Access Door.

(Tighten each bolt to recommended torque: **10 ft-lb, foot-pound**)

Trulevel Pendant Mount is intended to allow for fixture leveling, but is not intended to be "free-swinging" upon proper installation.

ELECTRICAL DATA GUIDE - AMPERAGE CHART

# of LEDs	mA	System Watts	120V	208V	277V	347V	480V
48	350	53.0	0.44	0.25	0.19	0.15	0.11
48	525	77.0	0.64	0.37	0.28	0.22	0.16
48	700	103.0	0.86	0.50	0.37	0.30	0.21
64	350	69.0	0.58	0.33	0.25	0.20	0.14
64	525	100.0	0.83	0.48	0.36	0.29	0.21
80	350	87.0	0.73	0.42	0.31	0.25	0.18
80	525	130.0	1.08	0.63	0.47	0.37	0.27

ELECTRICAL DATA GUIDE - LM-80 LUMEN MAINTENANCE

LED LUMEN MAINTENANCE		
LED Life / Operating Hours	Lumen Depreciation	Lumen Depreciation Scale Factor
60,000	L96	0.96x
100,000 (6X LED Test Hrs)	L93	0.93x
150,000 (Theoretical)	L89	0.90x
200,000 (Theoretical)	L86	0.87x

TM-21 6x Test Time Dicates that L93 > 100,000 Hours.

Lumen Depreciation Calculations Done in Accordance With IESNA TM-21 & LM-80 (25°C Ambient)

PHOTOMETRIC DATA GUIDE - LUMEN TABLES

DS8-VLED																			
LED Count	Drive Current (mA)	System Watts	Dist'n Type	27K (2700K - 70CRI)			30K (3000K - 70CRI)			40K (4000K - 70CRI)			50K (5000K - 70CRI)			System Watts	TRA (590nm)		
				LUMENS	LPW	BUG RATING	LUMENS	LPW	BUG RATING	LUMENS	LPW	BUG RATING	LUMENS	LPW	BUG RATING		LUMENS	LPW	BUG RATING
48	350	53.0	II	5486	104	B1-U0-G2	5923	112	B1-U0-G2	6234	118	B1-U0-G2	6546	124	B2-U0-G2	40.7	1871	46	B1-U0-G1
			III	5429	102	B1-U0-G2	5860	111	B1-U0-G2	6169	116	B1-U0-G2	6478	122	B1-U0-G2		1851	45	B1-U0-G1
			IV	5502	104	B1-U0-G2	5940	112	B1-U0-G2	6253	118	B1-U0-G2	6565	124	B1-U0-G2		1876	46	B0-U0-G1
			VSQ	5771	109	B3-U0-G1	6230	118	B3-U0-G1	6558	124	B3-U0-G1	6886	130	B3-U0-G1		1968	48	B1-U0-G1
			II-HS	4108	78	B1-U0-G1	4435	84	B1-U0-G2	4668	88	B1-U0-G2	4902	92	B1-U0-G2		1401	34	B0-U0-G1
			III-HS	4068	77	B1-U0-G1	4391	83	B1-U0-G2	4623	87	B1-U0-G2	4854	92	B1-U0-G2		1387	34	B0-U0-G1
			IV-HS	4213	79	B1-U0-G2	4549	86	B1-U0-G2	4788	90	B1-U0-G2	5027	95	B1-U0-G2		1437	35	B0-U0-G1
			II	7554	98	B2-U0-G2	8155	106	B2-U0-G2	8584	111	B2-U0-G2	9014	117	B2-U0-G2		2172	37	B1-U0-G1
48	525	77.0	III	7475	97	B1-U0-G2	8069	105	B2-U0-G2	8494	110	B2-U0-G2	8919	116	B2-U0-G2	59.4	2149	36	B1-U0-G1
			IV	7578	98	B1-U0-G2	8181	106	B1-U0-G2	8612	112	B1-U0-G2	9042	117	B2-U0-G2		2179	37	B1-U0-G1
			VSQ	7947	103	B3-U0-G1	8579	111	B3-U0-G1	9031	117	B3-U0-G1	9482	123	B3-U0-G1		2285	38	B1-U0-G1
			II-HS	5656	73	B1-U0-G2	6106	79	B1-U0-G2	6427	83	B1-U0-G2	6748	88	B2-U0-G2		1626	27	B1-U0-G1
			III-HS	5602	73	B1-U0-G2	6048	79	B1-U0-G2	6366	83	B1-U0-G2	6684	87	B1-U0-G2		1611	27	B0-U0-G1
			IV-HS	5800	75	B1-U0-G2	6261	81	B1-U0-G2	6591	86	B1-U0-G2	6921	90	B1-U0-G2		1667	28	B0-U0-G1
			II	9460	92	B2-U0-G2	10212	99	B2-U0-G2	10750	104	B2-U0-G2	11287	110	B2-U0-G2		N/A	N/A	
			III	9359	91	B2-U0-G2	10103	98	B2-U0-G2	10635	103	B2-U0-G2	11167	108	B2-U0-G2				
IV	9487	92	B2-U0-G2	10242	99	B2-U0-G2	10781	105	B2-U0-G2	11320	110	B2-U0-G2							
VSQ	9950	97	B3-U0-G2	10742	104	B3-U0-G2	11307	110	B3-U0-G2	11872	115	B3-U0-G2							
II-HS	7081	69	B2-U0-G2	7644	74	B2-U0-G2	8047	78	B2-U0-G2	8449	82	B2-U0-G2							
III-HS	7014	68	B1-U0-G2	7572	74	B1-U0-G2	7971	77	B1-U0-G2	8369	81	B1-U0-G2							
IV-HS	7262	71	B1-U0-G2	7840	76	B1-U0-G2	8252	80	B1-U0-G2	8665	84	B1-U0-G2							
64	350	71.0	II	7315	103	B2-U0-G2	7897	111	B2-U0-G2	8312	117	B2-U0-G2	8728	123	B2-U0-G2	54.4			2494
			III	7238	102	B1-U0-G2	7813	110	B1-U0-G2	8225	116	B1-U0-G2	8636	122	B2-U0-G2		2468	45	B1-U0-G1
			IV	7338	103	B1-U0-G2	7921	112	B1-U0-G2	8338	117	B1-U0-G2	8755	123	B2-U0-G2		2502	46	B1-U0-G1
			VSQ	7696	108	B3-U0-G1	8308	117	B3-U0-G1	8745	123	B3-U0-G1	9183	129	B3-U0-G1		2624	48	B1-U0-G1
			II-HS	5476	77	B1-U0-G2	5911	83	B1-U0-G2	6223	88	B1-U0-G2	6534	92	B1-U0-G2		1867	34	B1-U0-G1
			III-HS	5425	76	B1-U0-G2	5856	82	B1-U0-G2	6165	87	B1-U0-G2	6473	91	B1-U0-G2		1850	34	B0-U0-G1
			IV-HS	5617	79	B1-U0-G2	6064	85	B1-U0-G2	6383	90	B1-U0-G2	6702	94	B1-U0-G2		1915	35	B0-U0-G1
			II	10075	99	B2-U0-G2	10877	107	B2-U0-G2	11449	112	B2-U0-G2	12022	118	B2-U0-G2		79.3	2897	37
III	9966	98	B2-U0-G2	10759	105	B2-U0-G2	11325	111	B2-U0-G2	11891	117	B2-U0-G3	2865	36	B1-U0-G1				
IV	10104	99	B2-U0-G2	10907	107	B2-U0-G2	11481	113	B2-U0-G2	12055	118	B2-U0-G3	2905	37	B1-U0-G1				
VSQ	10597	104	B3-U0-G2	11440	112	B3-U0-G2	12042	118	B3-U0-G2	12644	124	B3-U0-G2	3046	38	B2-U0-G1				
II-HS	7541	74	B2-U0-G2	8141	80	B2-U0-G2	8569	84	B2-U0-G2	8998	88	B2-U0-G2	2168	27	B1-U0-G1				
III-HS	7469	73	B1-U0-G2	8063	79	B1-U0-G2	8488	83	B1-U0-G2	8912	87	B1-U0-G2	2147	27	B0-U0-G1				
IV-HS	7734	76	B1-U0-G2	8349	82	B1-U0-G2	8789	86	B1-U0-G2	9228	90	B1-U0-G2	2224	28	B0-U0-G1				
80	350	87.0	II	8605	99	B2-U0-G2	9289	107	B2-U0-G2	9778	112	B2-U0-G2	10267	118	B2-U0-G2	66.1		2934	44
			III	8514	98	B2-U0-G2	9191	106	B2-U0-G2	9675	111	B2-U0-G2	10159	117	B2-U0-G2		2903	44	B1-U0-G1
			IV	8631	99	B1-U0-G2	9317	107	B2-U0-G2	9808	113	B2-U0-G2	10298	118	B2-U0-G2		2943	45	B1-U0-G1
			VSQ	9052	104	B3-U0-G1	9772	112	B3-U0-G2	10286	118	B3-U0-G2	10801	124	B3-U0-G2		3086	47	B2-U0-G1
			II-HS	6442	74	B1-U0-G2	6954	80	B2-U0-G2	7320	84	B2-U0-G2	7686	88	B2-U0-G2		2196	33	B1-U0-G1
			III-HS	6381	73	B1-U0-G2	6889	79	B1-U0-G2	7252	83	B1-U0-G2	7614	88	B1-U0-G2		2176	33	B1-U0-G1
			IV-HS	6606	76	B1-U0-G2	7132	82	B1-U0-G2	7507	86	B1-U0-G2	7882	91	B1-U0-G2		2252	34	B0-U0-G1
			II	11730	92	B2-U0-G2	12663	100	B2-U0-G2	13330	105	B3-U0-G3	13996	110	B3-U0-G3		97.5	3372	35
III	11606	91	B2-U0-G2	12529	99	B2-U0-G2	13189	104	B2-U0-G3	13848	109	B2-U0-G3	3337	34	B1-U0-G1				
IV	11766	93	B2-U0-G3	12701	100	B2-U0-G3	13370	105	B2-U0-G3	14038	111	B2-U0-G3	3382	35	B1-U0-G1				
VSQ	12340	97	B3-U0-G2	13322	105	B3-U0-G2	14023	110	B4-U0-G2	14724	116	B4-U0-G2	3548	36	B2-U0-G1				
II-HS	8781	69	B2-U0-G2	9480	75	B2-U0-G2	9979	79	B2-U0-G2	10477	82	B2-U0-G2	2525	26	B1-U0-G1				
III-HS	8699	68	B1-U0-G2	9391	74	B1-U0-G2	9885	78	B2-U0-G2	10379	82	B2-U0-G2	2501	26	B1-U0-G1				
IV-HS	9007	71	B1-U0-G2	9723	77	B1-U0-G2	10235	81	B1-U0-G2	10747	85	B1-U0-G3	2589	27	B0-U0-G1				

IES File downloads for this product can be found at www.usaltg.com/downloads/asr.html