

HINGED BASE SQUARE NON-TAPERED ALUMINUM POLE

HBSNTA

Shaft

Square, extruded from 6063 alloy aluminum tubing. Heat treated to produce a T6 temper. Shaft includes a hand hole furnished with cover.

Drilling Side Mount

A removable pole cap is included. Pole will be drilled to match U.S. Architectural fixtures. For other Drilling required, please specify DP after specified drill pattern. (example: 2-180DP)

Pole Top Mount

Standard pole top mount - PT27, fabricated from 2.5" (2.875" O.D.) aluminum pipe - tenon options available for pole tops please see Mounting column. For other pole top configurations please consult factory.

Hand Hole Cover

Rectangular 3" x 5" stamped heavy gauge aluminum material Hand Hole Cover, 2 1/4" x 4 1/4" access opening. Sealed door is secured by a formed aluminum bar and a stainless steel, tamper proof screw.

Anchor Base & Cover

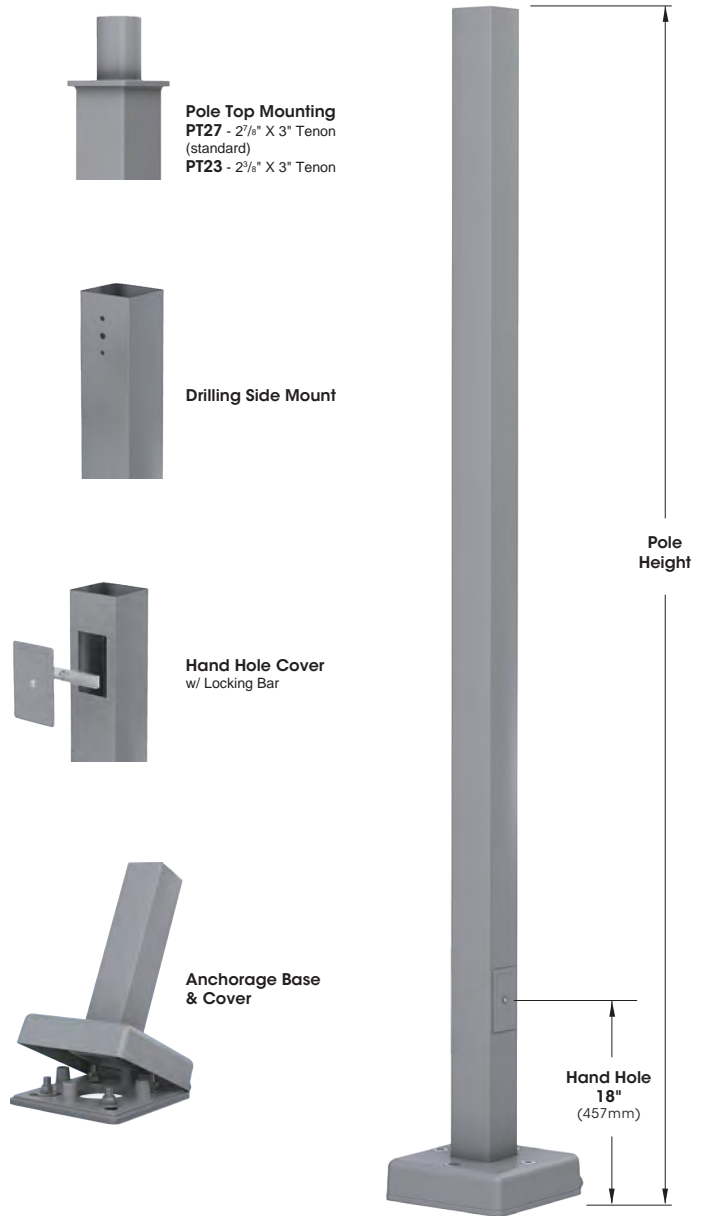
Uniquely designed, patented Hinge Base Pole Assembly was created to simplify the installation process. Hinged Anchor Base Assembly, with four heavy wall bosses to accept four stainless steel Countersink Bolts, for a strong and secure fit, is cast from 356 alloy aluminum. The complete Assembly is heated-treated to a T6 temper. (4) 3/4"-10 Bolts secure Base to Anchor Plate. Base Hinges utilize a 11/16" steel Pin, to insure easy and secure hinging mechanism for safe installation and maintenance. Steel Pin is easily removed by internal stainless Set Screw. Hinge Base is self-containing with the Base Top serving as an aesthetically pleasing decorative Cover.

Anchorage

(4) anchor bolts fabricated from hot rolled steel bar. Minimum yield strength of 50,000 P.S.I. Bolts have "L" bend on one end and are threaded on the other. Bolts are fully galvanized and are furnished with two nuts and two washers.

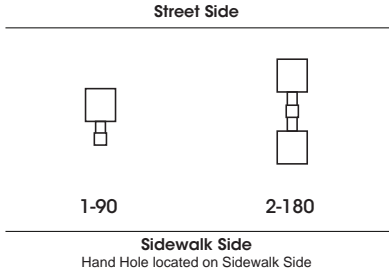
Finish

Electrostatically applied TGIC Polyester Powder Coat on substrate prepared with 20 PSI power wash at 140°F. Four step media blast and iron phosphate pretreatment for protection and paint adhesion. 400°F bake for maximum hardness and durability.



Pole Model	Pole Sq.	Pole Height
HBSNTA4	4"	8' - 20'
HBSNTA5	5"	12' - 20'

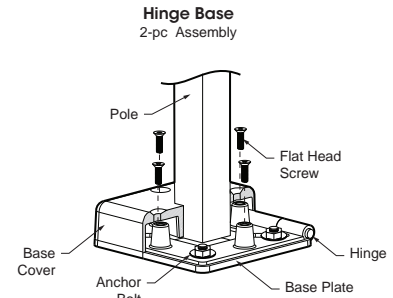
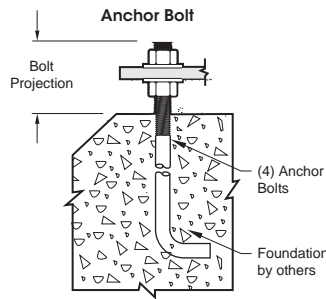
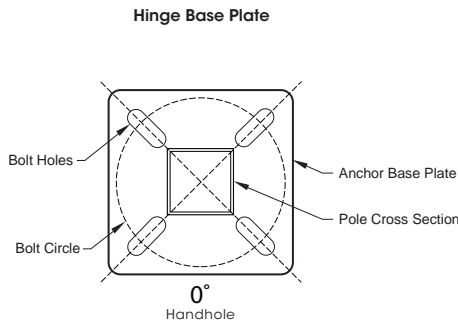
DRILLING SIDE MOUNT



Notes
 When drilling pattern from other manufacturer's fixture is required, add "DP" to drill specifications.
 (Example: 2-180DP) **Drilling template must be provided.**

In the case of other manufacturer's drilling pattern, customer must provide drilling pattern.

BOLT CIRCLE



Catalog Number	HINGE BASE POLE								ANCHOR BOLTS				HINGE BASE ASSEMBLY		
	Height		Bottom - Top				Wall Thickness (In/Ga)	Weight (Lbs)	Bolt Size	Bolt Projection above grade ^{2,3}	Bolt Circle Dia Range ¹	Bolt Circle Dia (In) (Rec.) ¹	Template	Hinge Anchor Plate	Hinge Base Assembly
	Ft	M	In	Cm	In	Cm									
HBSNTA 84-125	8	2.44	4.00	4.00	10.16	10.16	0.125	39	3/4" x 18" x 3"	3 3/4" - 3 3/4"	8" - 12"	10"	US10	3/4" x 12" x 12"	3 1/2" x 12" x 12"
HBSNTA 104-125	10	3.05	4.00	4.00	10.16	10.16	0.125	44	3/4" x 18" x 3"	3 3/4" - 3 3/4"	8" - 12"	10"	US10	3/4" x 12" x 12"	3 1/2" x 12" x 12"
HBSNTA 124-125	12	3.66	4.00	4.00	10.16	10.16	0.125	49	3/4" x 18" x 3"	3 3/4" - 3 3/4"	8" - 12"	10"	US10	3/4" x 12" x 12"	3 1/2" x 12" x 12"
HBSNTA 144-125	14	4.27	4.00	4.00	10.16	10.16	0.125	54	3/4" x 18" x 3"	3 3/4" - 3 3/4"	8" - 12"	10"	US10	3/4" x 12" x 12"	3 1/2" x 12" x 12"
HBSNTA 164-125	16	4.88	4.00	4.00	10.16	10.16	0.125	59	3/4" x 24" x 3"	3 3/4" - 3 3/4"	8" - 12"	10"	US10	3/4" x 12" x 12"	3 1/2" x 12" x 12"
HBSNTA 164-188	16	4.88	4.00	4.00	10.16	10.16	0.188	79	3/4" x 24" x 3"	3 3/4" - 3 3/4"	8" - 12"	10"	US10	3/4" x 12" x 12"	3 1/2" x 12" x 12"
HBSNTA 184-188	18	5.49	4.00	4.00	10.16	10.16	0.188	86	3/4" x 24" x 3"	3 3/4" - 3 3/4"	8" - 12"	10"	US10	3/4" x 12" x 12"	3 1/2" x 12" x 12"
HBSNTA 204-188	20	6.10	4.00	4.00	10.16	10.16	0.188	94	3/4" x 24" x 3"	3 3/4" - 3 3/4"	8" - 12"	10"	US10	3/4" x 12" x 12"	3 1/2" x 12" x 12"
HBSNTA 125-125	12	3.66	5.00	5.00	12.70	12.70	0.125	56	3/4" x 24" x 3"	3 3/4" - 3 3/4"	8" - 12"	12"	US12	3/4" x 12" x 12"	3 1/2" x 12" x 12"
HBSNTA 145-125	14	4.27	5.00	5.00	12.70	12.70	0.125	62	3/4" x 24" x 3"	3 3/4" - 3 3/4"	8" - 12"	12"	US12	3/4" x 12" x 12"	3 1/2" x 12" x 12"
HBSNTA 165-125	16	4.88	5.00	5.00	12.70	12.70	0.125	68	3/4" x 24" x 3"	3 3/4" - 3 3/4"	8" - 12"	12"	US12	3/4" x 12" x 12"	3 1/2" x 12" x 12"
HBSNTA 185-188	18	5.49	5.00	5.00	12.70	12.70	0.188	102	3/4" x 24" x 3"	3 3/4" - 3 3/4"	8" - 12"	12"	US12	3/4" x 12" x 12"	3 1/2" x 12" x 12"
HBSNTA 205-188	20	6.10	5.00	5.00	12.70	12.70	0.188	111	3/4" x 24" x 3"	3 3/4" - 3 3/4"	8" - 12"	12"	US12	3/4" x 12" x 12"	3 1/2" x 12" x 12"

1 - Not using correct bolt size or "(REC.) Recommended" Bolt Circle could result in Pole's failure.
 2 - Bolt Projection is calculated for slopes with 3 degrees or less.
 3 - For slopes greater than 3 degrees, please add Bolt Length Projection as necessary.
 4 - The maximum weight allowed on any assembly, including fixtures and options, is 100 lbs.

ORDERING INFORMATION

Spec/Order Example: HBSNTA144-125/2-180/PC

Pole Model Number			Mounting	Finish	Options	
Pole Model Number			Mounting	Finish	Options	
4" Pole Sq.	Pole Height	Wall Thickness	Tenon Mount <input type="checkbox"/> 2 7/8" X 3" Tenon PT27 (Standard) <input type="checkbox"/> 2 3/8" X 3" Tenon PT23 <input type="checkbox"/> 2 7/8" X 6" Tenon PT276 <input type="checkbox"/> Other Tenon Mt _____ Drill Mount <input type="checkbox"/> 1-90 <input type="checkbox"/> 2-180 When Drilling Pattern from other manufacturer is required, add "DP" to drill specifications (Example: 2-180DP) Drilling template must be provided.	Standard Smooth Finish <input type="checkbox"/> Black RAL-9005-S <input type="checkbox"/> White RAL-9003-S <input type="checkbox"/> Grey RAL-7004-S <input type="checkbox"/> Dark Bronze RAL-8019-S <input type="checkbox"/> Green RAL-6005-S Premium Finishes <input type="checkbox"/> Rust <input type="checkbox"/> Patina Copper PC <input type="checkbox"/> Custom Specify RAL# _____ <input type="checkbox"/> Anodized AZ For Smooth Finish replace suffix "T" with suffix "T" Example: RAL-9005-S See USALTG.COM for additional colors	<input type="checkbox"/> Vibration Dampener 2nd Mode Field Install VBDS-M2 Receptacle <input type="checkbox"/> G.F.I. Receptacle w/ Cover GFI <input type="checkbox"/> G.F.I. Receptacle w/ In-Use Cover GFI-U [Specify GFI location: Height and Direction] See Location Diagram below Coupling <input type="checkbox"/> 1/2" Coupling CPLN12 <input type="checkbox"/> 3/4" Coupling CPLN34 <input type="checkbox"/> 1 1/4" Coupling CPLN114 <input type="checkbox"/> 1 1/2" Coupling CPLN112 <input type="checkbox"/> 2" Coupling CPLN2 [Specify Coupling location: Height and Direction] See Location Diagram below Nipple <input type="checkbox"/> 1/2" Nipple NPLE12 <input type="checkbox"/> 3/4" Nipple NPLE34 <input type="checkbox"/> 1 1/4" Nipple NPLE114 <input type="checkbox"/> 1 1/2" Nipple NPLE112 <input type="checkbox"/> 2" Nipple NPLE2 [Specify Coupling location: Height and Direction] See Location Diagram below Location Diagram Please use this diagram to indicate placement location Refer to the Accessories Section for other options	
	<input type="checkbox"/> HBSNTA 84-125	8'				0.125
	<input type="checkbox"/> HBSNTA 104-125	10'				0.125
	<input type="checkbox"/> HBSNTA 124-125	12'				0.125
	<input type="checkbox"/> HBSNTA 144-125	14'				0.125
	<input type="checkbox"/> HBSNTA 164-125	16'				0.125
	<input type="checkbox"/> HBSNTA 164-188	16'				0.188
	<input type="checkbox"/> HBSNTA 184-188	18'				0.188
	<input type="checkbox"/> HBSNTA 204-188	20'				0.188
	Other heights available Please consult factory Poles not to exceed 20 feet					
5" Pole Sq.	<input type="checkbox"/> HBSNTA 125-125	12'	0.125			
	<input type="checkbox"/> HBSNTA 145-125	14'	0.125			
	<input type="checkbox"/> HBSNTA 165-125	16'	0.125			
	<input type="checkbox"/> HBSNTA 185-188	18'	0.188			
	<input type="checkbox"/> HBSNTA 205-188	20'	0.188			

OPTIONS



GFI
Duplex GFI
w/ Cover



GFI-U
Duplex GFI
w/ In-Use Cover

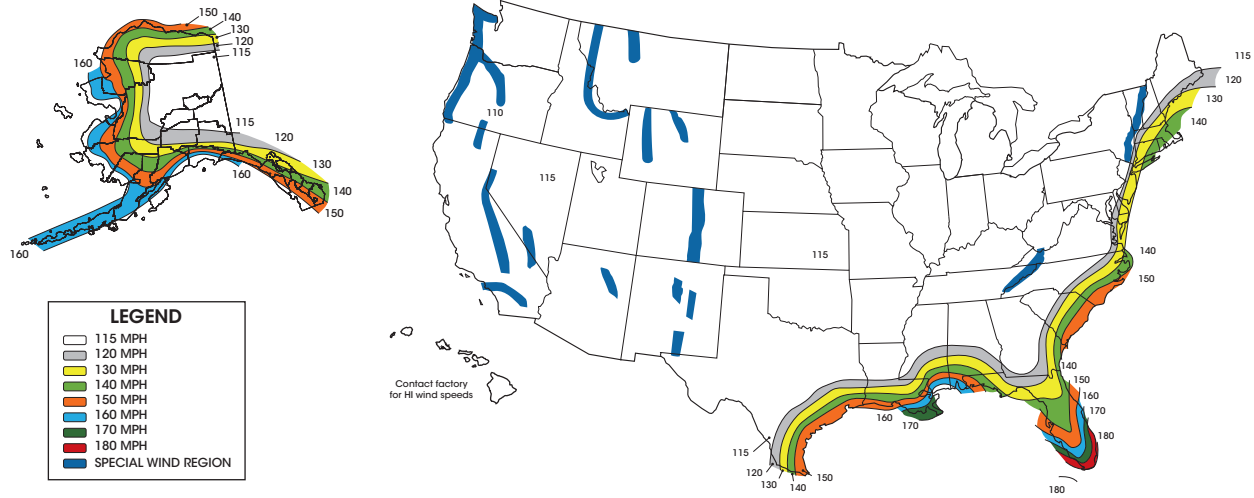


CPLN
1/2", 3/4", 1 1/4", 1 1/2",
or 2" Coupling



NPLE
1/2", 3/4", 1 1/4", 1 1/2",
or 2" Nipple

WIND MAP



EPA INFORMATION (ft²)
(per AASHTO LRFDLTS-1 revised 2022)

Caf. No.	Weight Capacity Maximum (Lbs.)	100 MPH	110 MPH	115 MPH	120 MPH	130 MPH	140 MPH	150 MPH	160 MPH	170 MPH	180 MPH
HBSNTA 84-125	100 - 60*	7.1	5.3	5.1	4.3	3.7	2.7	2.3	2.1	1.9	1.7
HBSNTA 104-125	100 - 60*	6.3	4.9	4.1	3.8	2.8	2.4	1.7	1.4	1.2	0.7
HBSNTA 124-125	100 - 60*	4.3	3.5	3.1	2.3	1.9	1.2	0.8	0.4	0.2	0.0
HBSNTA 144-125	100 - 60*	3.0	2.3	1.9	1.5	0.8	0.6	0.2	0.0	0.0	0.0
HBSNTA 164-125	66.5 - 60*	1.9	1.0	0.9	0.4	0.0	0.0	0.0	0.0	0.0	0.0
HBSNTA 164-188	100 - 60*	3.9	2.5	2.1	1.7	1.3	0.6	0.2	0.0	0.0	0.0
HBSNTA 184-188	98 - 60*	2.8	1.6	1.2	0.8	0.4	0.0	0.0	0.0	0.0	0.0
HBSNTA 204-188	60	1.2	0.6	0.5	0.0	0.0	0.0	0.0	0.0	0.0	0.0
HBSNTA 125-125	100 - 60*	7.6	6.1	5.2	4.7	3.7	2.6	2.0	1.4	1.0	0.0
HBSNTA 145-125	100 - 60*	5.7	4.4	3.8	3.2	2.1	1.6	0.9	0.6	0.2	0.0
HBSNTA 165-125	100 - 60*	4.0	2.8	2.0	1.8	0.9	0.6	0.0	0.0	0.0	0.0
HBSNTA 185-188	100 - 60*	5.2	3.6	3.1	2.8	1.8	0.9	0.3	0.0	0.0	0.0
HBSNTA 205-188	100 - 60*	4.0	2.6	1.9	1.6	0.8	0.2	0.0	0.0	0.0	0.0

EPA INFORMATION (ft²)
(per 2020 FL Building Code)

Caf. No.	Weight Capacity Maximum (Lbs.)	120 MPH	130 MPH	140 MPH	150 MPH	160 MPH	170 MPH	180 MPH
HBSNTA 84-125	100 - 60*	4.0	3.3	2.5	2.2	1.9	1.8	1.6
HBSNTA 104-125	100 - 60*	3.4	2.5	2.2	1.6	1.3	1.1	0.7
HBSNTA 124-125	100 - 60*	2.1	1.8	1.1	0.7	0.4	0.2	0.0
HBSNTA 144-125	100 - 60*	1.4	0.7	0.6	0.2	0.0	0.0	0.0
HBSNTA 164-125	100 - 60*	0.4	0.0	0.0	0.0	0.0	0.0	0.0
HBSNTA 164-188	100 - 60*	1.5	1.2	0.6	0.2	0.0	0.0	0.0
HBSNTA 184-188	100 - 60*	0.7	0.4	0.0	0.0	0.0	0.0	0.0
HBSNTA 204-188	100 - 60*	0.0	0.0	0.0	0.0	0.0	0.0	0.0
HBSNTA 125-125	100 - 60*	4.4	3.4	2.4	1.9	1.3	0.9	0.5
HBSNTA 145-125	100 - 60*	2.9	1.9	1.4	0.8	0.6	0.2	0.0
HBSNTA 165-125	100 - 60*	1.7	0.8	0.6	0.0	0.0	0.0	0.0
HBSNTA 185-188	100 - 60*	2.5	1.7	0.8	0.3	0.0	0.0	0.0
HBSNTA 205-188	100 - 60*	1.5	0.7	0.2	0.0	0.0	0.0	0.0

* Please use the following to obtain the proper weight capacity: The maximum fixture weight equals 60 lbs. or the product of 35 lbs. x the EPA value, whichever is greater, not to exceed 100 lbs. Example, EPA = 2.2 , weight = 35 lbs. x 2.2 EPA = 77 lbs.

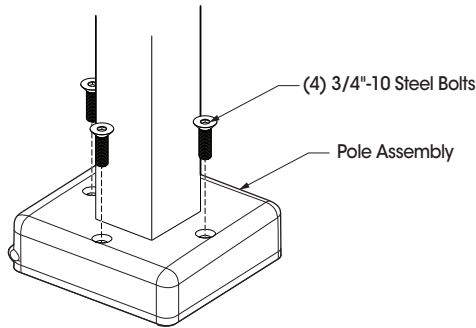
Notes

- Specifier is responsible for correct pole selection. For proper pole choice, the specifier must consider the total EPA of fixtures, banners, arms, and any other accessories attached to pole assembly.
- U.S. Architectural discourages the attachment of unauthorized accessories; any such attachments will void the manufacturer's warranty.
- ALL EPAs are calculated for ground installations. For installations on bridges, buildings or other structures, the specifier must contact the factory or consult with a structural Engineer
- Unpredictable aerodynamic forces such as wind-induced vibrations are not included in wind velocity ratings or EPA ratings.
- Wind gust factors are considered in developing all EPA chart data.

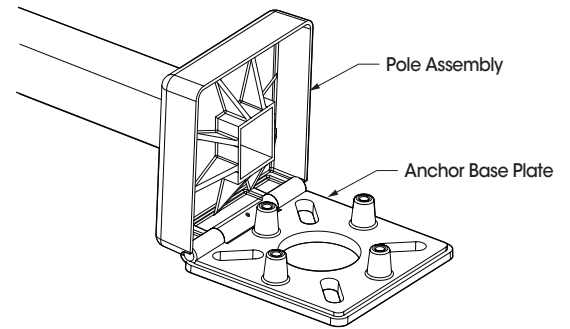
To mitigate 2nd Mode (Aeolian) Vibration please read the following Recommendations:

- We do not recommend the installation of poles without a fixture; such installations have been known to fail due to destructive 2nd mode pole vibration.
- Pole installations with a combined (fixtures, banners, flags, etc.) of less than 0.75 ft² EPA and 20 feet or taller will be provided with a vibration dampener.

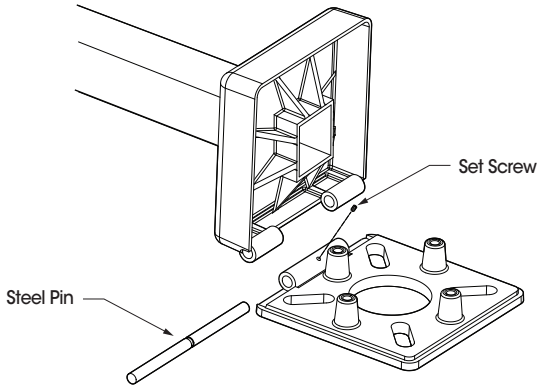
INSTALLATION



① Remove four 3/4"-10 Steel Bolts from Pole Assembly.

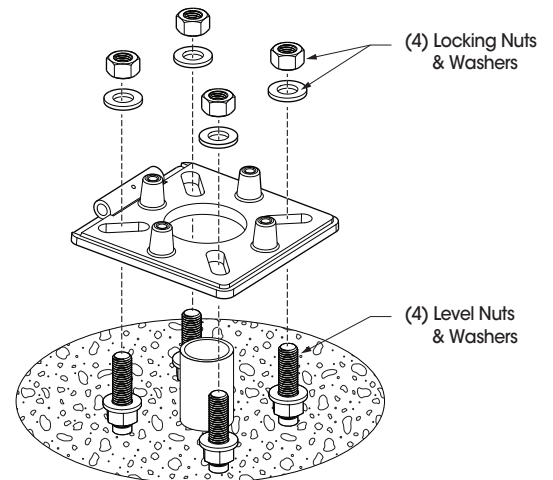


② Unhinge Pole Assembly from Anchor Base Plate.

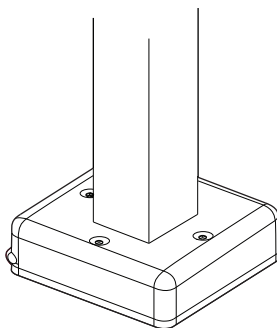


③ **Optional For Easier Installation**

Loosen Set Screw and slide Steel Pin out, save for later use.
(NOTE: Anchor Base Plate/Pole Assembly can also be installed w/out the removal of Steel Pin.)

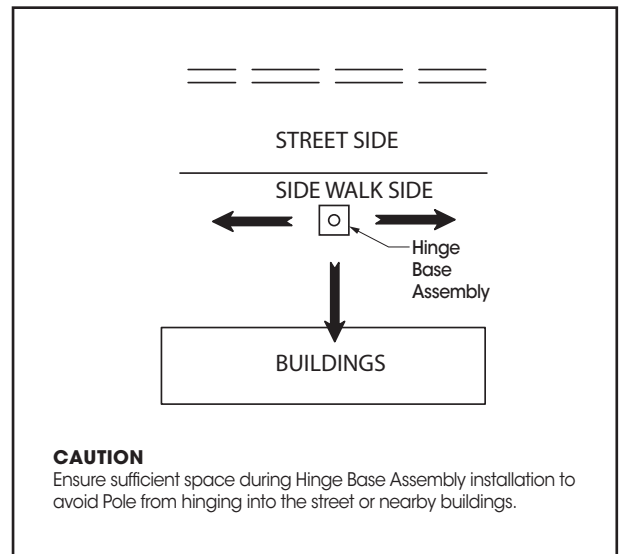


④ Install Anchor Base Plate following installation instructions (available upon request).



⑤ Attach Pole Assembly back on to Anchor Base Plate. If Steel Pin was removed, restore to original position and lock into place with Set Screw provided.

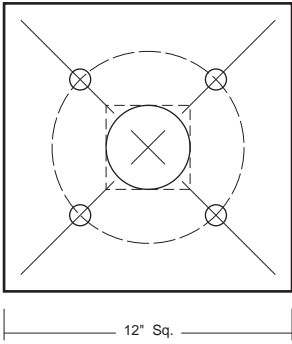
Secure Pole Assembly to Anchor Base Plate by reinstalling four 3/4"-10 Steel Bolts.



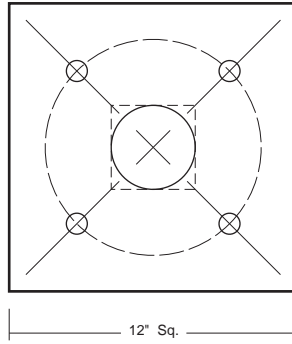
ANCHOR BOLT TEMPLATES

For printable versions of Templates: click on the Template's name, otherwise go to <https://usaltg.com/downloads/templates.html>.

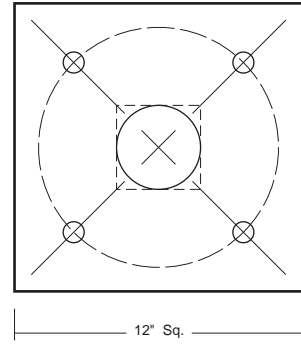
US8
8" Bolt Circle



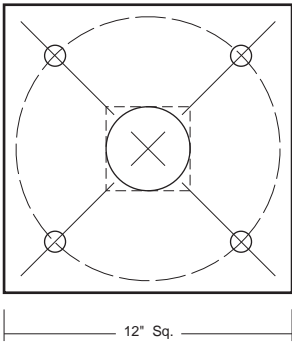
US9
9" Bolt Circle



US10
10" Bolt Circle



US11
11" Bolt Circle



US12
12" Bolt Circle

