

## SOLID AREA STATE LIGHTING

# MOZART® - PLED

## TRANSITIONAL LANTERN

**Luminaire**

One piece unitized precise heavy wall cast aluminum construction comprised of low copper (< 0.2% Cu) aluminum. Hood is fastened to the Housing with a stainless steel hinge and secured with a tool-less stainless steel latch 180° opposite the hinge. Housing and Hood is sealed with an extruded closed cell silicone gasket. White Acrylic enclosure is gasketed at the fixture Mounting Hub and crown with an extruded closed cell silicone gasket. Driver/wiring access is inside the enclosure and accesses through the top of the Mounting Hub. Hub accommodates a 2 7/8" x 3" tenon. All exposed hardware is stainless steel.

**Diffuser**

No Lens Open Frame Standard. Option of Clear Patterned Acrylic (CPA) or White Acrylic (WA) Lens. Enclosure is gasketed at the Crown and Base Fitter with closed cell silicone gasket.

**PLED™ Optics**

Emitters (LED's) are arrayed on a metal core PCB panel with each emitter located on a copper thermal transfer pad and enclosed by an LED refractor. LED optics completely seal each individual emitter to meet an IP66 rating. In asymmetric distributions, a micro-reflector inside the refractor re-directs the house side emitter output towards the street side, maximizing usable light. Optional house side shields are available that cover each individual optic. Refractors are injection molded H12 acrylic. Each LED refractor is sealed to the PCB over an emitter and all refractors are retained by an aluminum frame. Any one Panel, or group of Panels in a luminaire, have the same optical pattern. LED refractors produce standard site/area distributions. Panels are field replaceable and field rotatable in 90° increments. Quick-disconnects are provided above each panel for fast field replacement. No lens fixture option will provide "U0" no uplight optical package.

**Ambiance Low Luminance Lens**

Optional Ambiance Lens (AL) provides low luminance reduced glare distributions. Lens diffuses the PLED Optics and provides a more uniform luminance across the aperture reducing glare at all angles. Lens is provided with an aluminum frame and is sealed to the housing with high temp gasketing.

**LED Emitters**

LED thermal management is designed to maintain LED operating temperature below 90 °C, well below the manufacturers thermal max of 150 °C for long life, high lumen maintenance and color stability. High Power White LED's are driven between 350mA and 875mA for a maximum output of 2.5 Watts nominal. LED's are available in standard 2700K & 3000K, 4000K, or 5000K. All Standard LED's have a minimum of 70 CRI. Consult Factory for other LED options. Lumen Maintenance of L94 at 60,000 hours (TM-21 calculated at 6x Test Time).

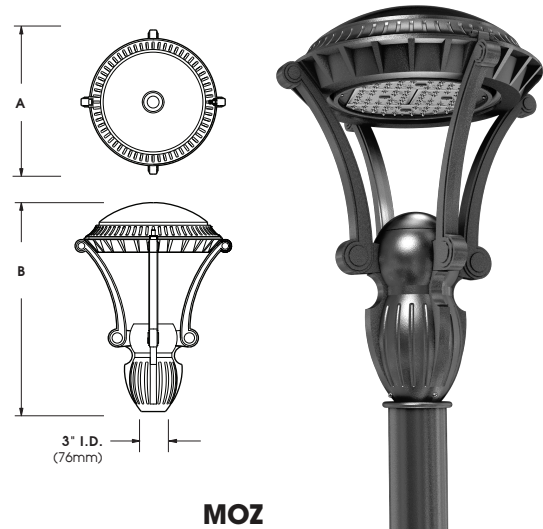
**True Amber LED's** TRArue Amber LED's emit light in the amber spectral bandwidth centered on 585-590nm. True Amber has negligible blue light and is suitable for wildlife.

**LED Driver**

Constant current electronic with a power factor of >.90 and a minimum operating temperature of -40°F/-40°C. Driver(s) is/are UL and cUL recognized. In-line terminal blocks facilitate wiring between the driver and optical arrays. Drivers accept an input of 120-277V, 50/60Hz or 347V-480V, 50,60Hz. (0 - 10V dimmable driver is standard. Driver has a minimum of 3KV internal surge protection. Luminaire supplied with 20KV surge protector for field installation.)

**Finish**

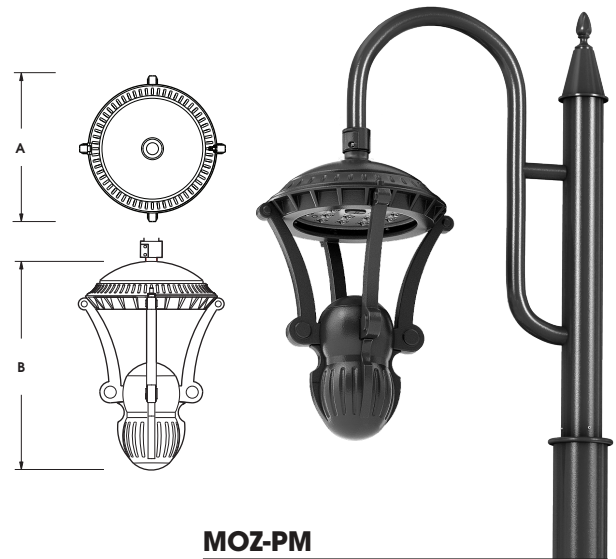
Super TGIC polyester powder coating is applied onto a metal substrate this has been pretreated with a four-stage process for maximum adhesion and color retention. The top coat is baked at 400° F for maximum hardness and exterior durability.


**MOZ**

(MOZ26 Tenon Mount shown)

Fitter supplied to fit over 2 7/8" X 3" (73mm X 76mm) tenon.

FIXTURE	A	B
<b>MOZ26</b>	26" 660mm	34.5" 876mm
<b>MOZ20</b>	20" 508mm	26.5" 673mm
<b>MOZ12</b>	12" 305mm	16.5" 419mm


**MOZ-PM**

(MOZ12 Pendant Mount shown)

FIXTURE	A	B
<b>MOZ26-PM</b>	26" 660mm	36" 914mm
<b>MOZ20-PM</b>	20" 508mm	28" 711mm
<b>MOZ12-PM</b>	12" 305mm	17" 432mm



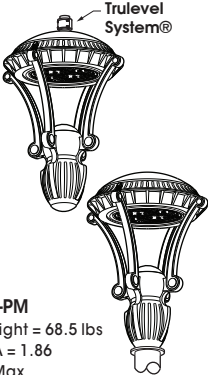
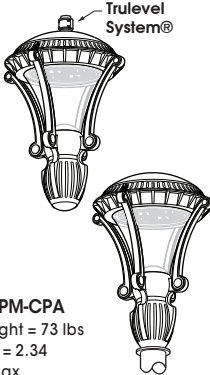
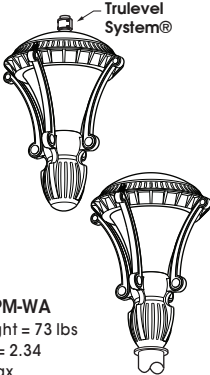
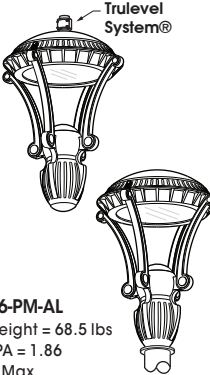
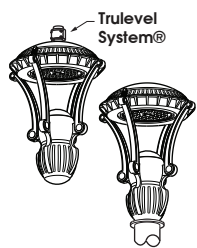
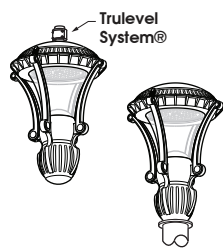
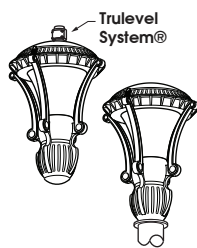
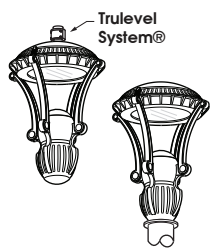

BABA compliant



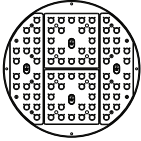
U.L. Listed for Wet Location

2024166

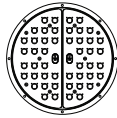
**PRODUCT CONFIGURATIONS**
**EPA & WEIGHT**

No Lens	w/ Clear Prismatic Acrylic Lens	w/ White Acrylic Lens	w/ Ambiance Low Luminescence Lens
 <p><b>MOZ26-PM</b>            Max Weight = 68.5 lbs            Max EPA = 1.86            80 LED Max</p> <p><b>MOZ26</b>            Max Weight = 68 lbs            Max EPA = 1.79            80 LED Max</p>	 <p><b>MOZ26-PM-CPA</b>            Max Weight = 73 lbs            Max EPA = 2.34            80 LED Max</p> <p><b>MOZ26-CPA</b>            Max Weight = 72 lbs            Max EPA = 2.27            80 LED Max</p>	 <p><b>MOZ26-PM-WA</b>            Max Weight = 73 lbs            Max EPA = 2.34            80 LED Max</p> <p><b>MOZ26-WA</b>            Max Weight = 72 lbs            Max EPA = 2.27            80 LED Max</p>	 <p><b>MOZ26-PM-AL</b>            Max Weight = 68.5 lbs            Max EPA = 1.86            80 LED Max</p> <p><b>MOZ26-AL</b>            Max Weight = 68 lbs            Max EPA = 1.79            80 LED Max</p>
 <p><b>MOZ20-PM</b>            Max Weight = 51 lbs            Max EPA = 1.22            48 LED Max</p> <p><b>MOZ20</b>            Max Weight = 50 lbs            Max EPA = 1.15            48 LED Max</p>	 <p><b>MOZ20-PM-CPA</b>            Max Weight = 53 lbs            Max EPA = 1.55            48 LED Max</p> <p><b>MOZ20-CPA</b>            Max Weight = 52 lbs            Max EPA = 1.48            48 LED Max</p>	 <p><b>MOZ20-PM-WA</b>            Max Weight = 53 lbs            Max EPA = 1.55            48 LED Max</p> <p><b>MOZ20-WA</b>            Max Weight = 52 lbs            Max EPA = 1.48            48 LED Max</p>	 <p><b>MOZ20-PM-AL</b>            Max Weight = 51 lbs            Max EPA = 1.22            48 LED Max</p> <p><b>MOZ20-AL</b>            Max Weight = 50 lbs            Max EPA = 1.15            48 LED Max</p>
 <p><b>MOZ12-PM</b>            Max Weight = 31 lbs            Max EPA = 1.10            20 LED Max</p> <p><b>MOZ12</b>            Max Weight = 30 lbs            Max EPA = 1.01            20 LED Max</p>	<p>N/A</p>	<p>N/A</p>	<p>N/A</p>

## PLED™ MODULES



80 LED Module



48 LED Module



36 LED Module

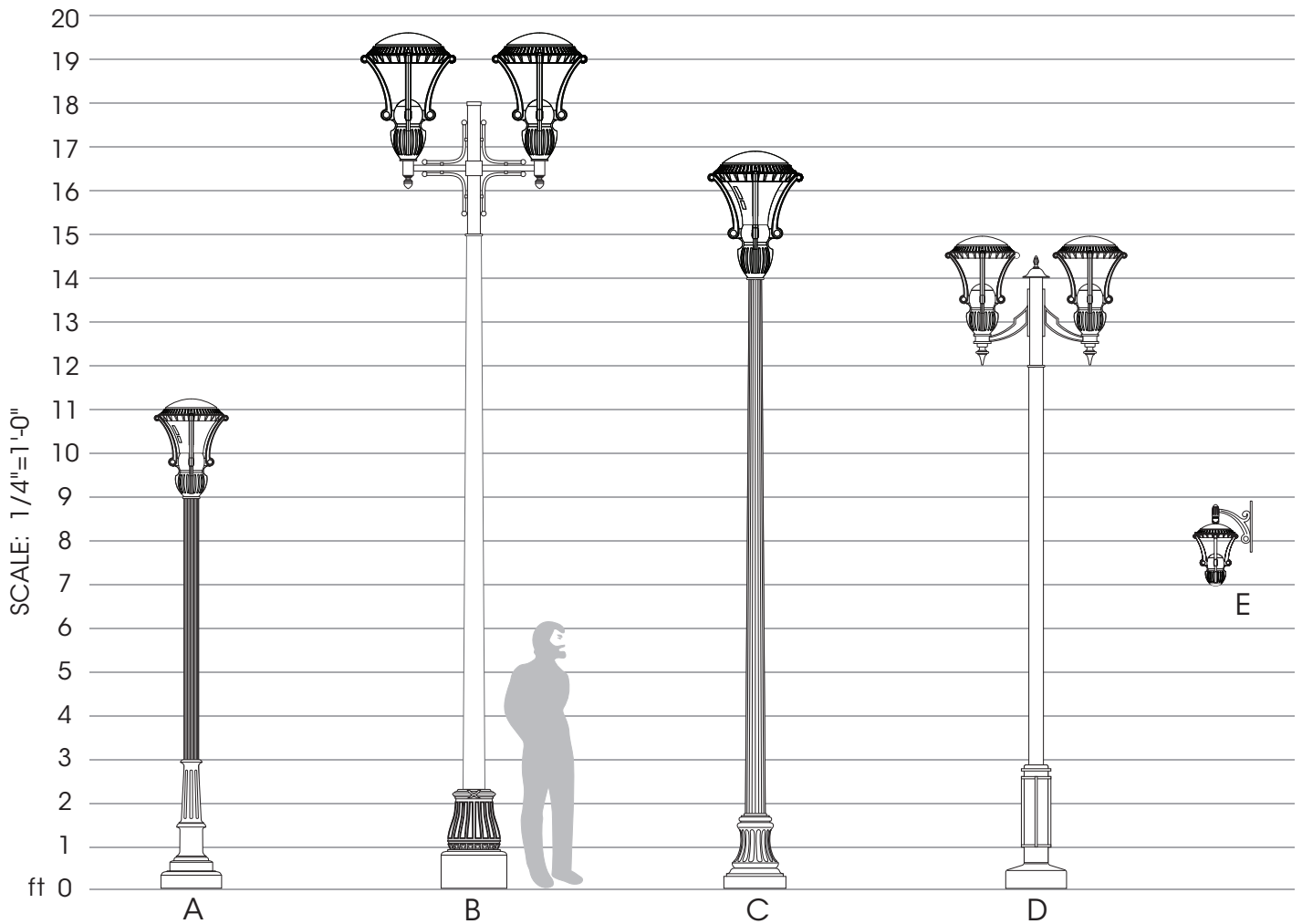


20 LED Module

### ORDERING INFORMATION

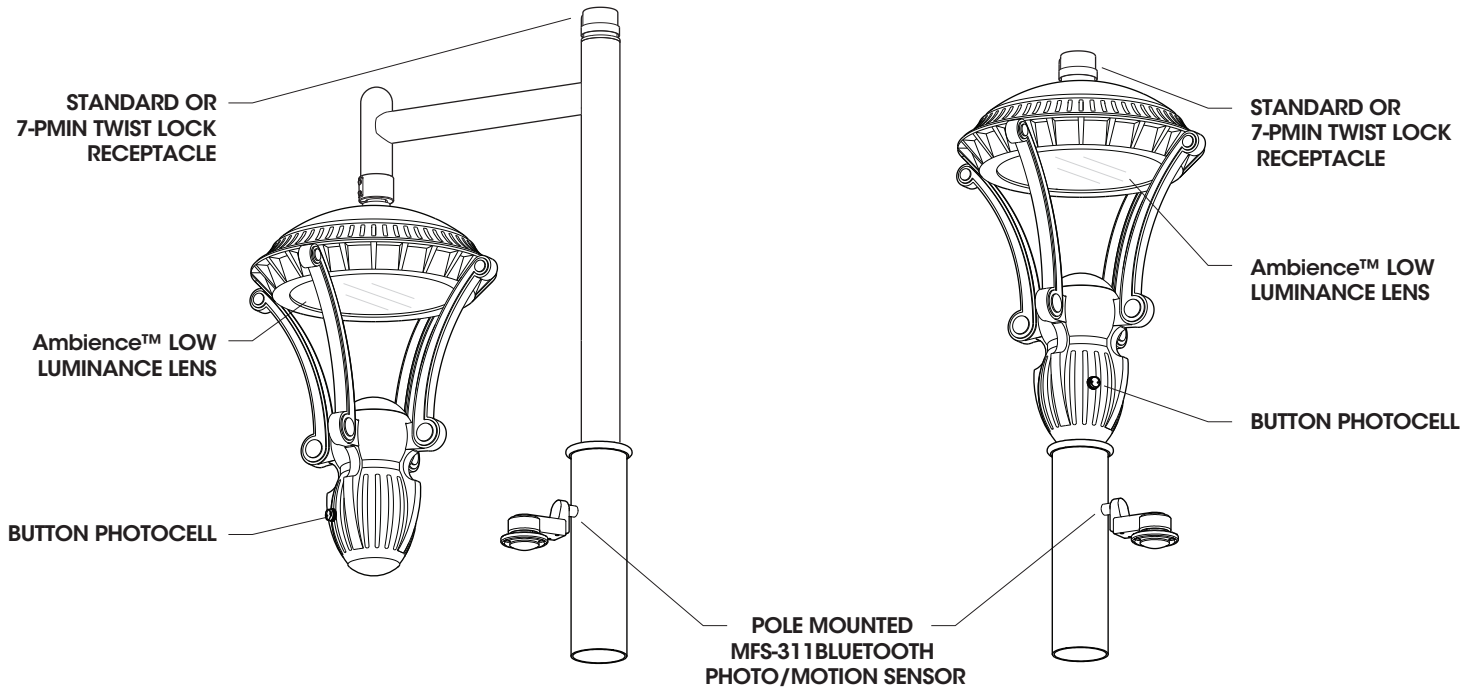
Spec/Order Example: MOZ20/PLED-III/20LED-525mA/40K/UNV/2-180/RUST-S/NL

Luminaire	Optics	LED Mode			Voltage	Mounting	Finish	Options
Luminaire	Optics	LED			Voltage	Mounting	Finish	Options
<input type="checkbox"/> MOZ26 <input type="checkbox"/> MOZ20 <input type="checkbox"/> MOZ12	<b>PLED™</b> Distribution Type For NL & CPA Lens Options: <input type="checkbox"/> PLED-II <input type="checkbox"/> PLED-II-FR <input type="checkbox"/> PLED-III-M <input type="checkbox"/> PLED-III-W <input type="checkbox"/> PLED-IV <input type="checkbox"/> PLED-IV-FT <input type="checkbox"/> PLED-V-SQ-N <input type="checkbox"/> PLED-V-SQ-M <input type="checkbox"/> PLED-V-SQ-W  For WA Lens Option: <input type="checkbox"/> PLED-ASY-W1 <input type="checkbox"/> PLED-ASY-W2 (Internal HS) <input type="checkbox"/> PLED-ASY-N1 <input type="checkbox"/> PLED-ASY-N2 (Internal HS) <input type="checkbox"/> PLED-SYM  Ambiance™ Lens Option <sup>5</sup> : <input type="checkbox"/> AL-ASY <input type="checkbox"/> AL-ASY-HS <input type="checkbox"/> AL-SYM	# of LEDs <input type="checkbox"/> 80 <sup>1</sup> <input type="checkbox"/> 48 <input type="checkbox"/> 36 <input type="checkbox"/> 20 <sup>2</sup>	Drive Current <input type="checkbox"/> 875mA <input type="checkbox"/> 700mA <input type="checkbox"/> 525mA <sup>4</sup> <input type="checkbox"/> 350mA <input type="checkbox"/> 175mA	Color Temp - CCT <input type="checkbox"/> 27K (2700K) <input type="checkbox"/> 30K (3000K) <input type="checkbox"/> 40K (4000K) <input type="checkbox"/> 50K (5000K) <input type="checkbox"/> TRA True Amber <sup>3</sup>	<input type="checkbox"/> UNV <small>(120 - 277)</small> <input type="checkbox"/> 347 <input type="checkbox"/> 480	<b>Post Top</b> <input type="checkbox"/> PT23 <small>(To fit 2 3/8" O.D.)</small> <input type="checkbox"/> PT27 <small>(To fit 2 7/8" O.D.)</small>  <b>Pendant Mount</b> <input type="checkbox"/> PM  <b>Arm Mount</b> <input type="checkbox"/> 1 <input type="checkbox"/> 2-180 <input type="checkbox"/> 2-90 <input type="checkbox"/> 3-90 <input type="checkbox"/> 3-120 <input type="checkbox"/> 4-90  <b>Wall Mount</b> <input type="checkbox"/> WM	<b>Standard Textured Finish</b> <input type="checkbox"/> Black 9005 <input type="checkbox"/> White 9003 <input type="checkbox"/> Grey 7004 <input type="checkbox"/> Dark Bronze 8019 <input type="checkbox"/> Green 6005  <b>Premium Finishes</b> <input type="checkbox"/> Rust <input type="checkbox"/> Patina Copper PC  For smooth finish replace suffix "T" with suffix "S" (Example: 9500-S)  Consult factor for custom colors	<b>Lens Options:</b> <input type="checkbox"/> Open Frame No Lens <b>NL</b> <input type="checkbox"/> Clear Patterned Acrylic (not available w/ MOZ12) <b>CPA</b> <input type="checkbox"/> White Acrylic (not available w/ MOZ12) <b>WA</b>  <input type="checkbox"/> Catenary Mount (Cable Box/Clamp Bracket) <b>CCB</b> <input type="checkbox"/> Stem Mount + Length(in) (48" Max) <b>SM+L</b> <input type="checkbox"/> Chain Mount + Length(in) (48" Max) <b>CM+L</b> <input type="checkbox"/> Internal House Side Shield inc. LED Count (Example: HS-PMLED/48) <b>HS-PMLED</b> <input type="checkbox"/> Twist Lock Receptable Only <b>TPR</b> <input type="checkbox"/> 7-PMin Twist Lock Receptable Only <b>TPR7</b> <input type="checkbox"/> High-Low Dimming for Switch by Others/Select Levels 50/100 or 25/100 (Example: HLSW/25) <b>HLSW</b> <input type="checkbox"/> Photo Cell + Voltage (Example: PC120V) <b>PC+V</b> <input type="checkbox"/> Single Fuse (120V, 277V) <b>SF</b> <input type="checkbox"/> Double Fuse (208V, 240V) <b>DF</b> <input type="checkbox"/> Bluetooth Programmable Photo/Motion Sensor (Factory - Motion 50/100; Photo 75ic) <b>MS-F311</b>
<b>NOTES:</b> 1 - 80LED available in MOZ26 only 2 - MOZ12 available in 20LED only 3 - TRA available in 350mA & 525mA Drive Currents only 4 - MOZ12 Max Drive Current is 525mA 5 - Ambiance Lens available in MOZ26 (80LED) and MOZ20 (48LED) only  Consult factory for other CCT, CRI, & Drive Current options								

**SAMPLE ASSEMBLIES**


- A. 4-1060-9'/PT/MOZ20-WA/LED/ACCESSORIES/FINISH
- B. 17SB-1046T-15'/XBX-2-180/MOZ24/LED/ACCESSORIES/FINISH
- C. 52-1030C-14'/PT/MOZ24-CPA/LED/ACCESSORIES/FINISH
- D. 53-1040-12'/XAZ-DN-2-180/MOZ20/LED/ACCESSORIES/FINISH
- E. WM-XMO-UP/MOZ12/LED/ACCESSORIES/FINISH

Sample Assemblies show a small offering of the Sun Valley Line of Poles, Bases, Shafts, Arms, & Luminaires. Please visit [usalgtg.com](http://usalgtg.com) for the full product offering.

**OPTIONS**


Factory Settings:  
 No Motion - 50%  
 Motion - 100%  
 Delay - 15 min.  
 Photocell - 75fc

Sensors can be Field  
 Programmed With  
 Bluetooth App

Coupling Provided  
 on Pole to Secure  
 Motion Sensor.

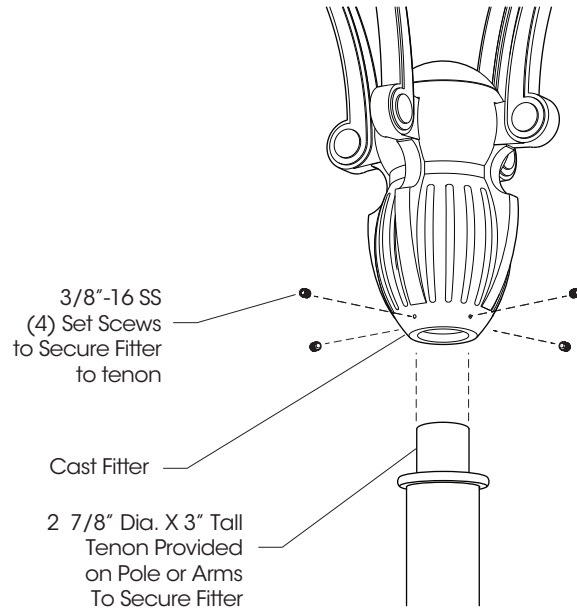
**High Low Dimming For Switches (HLSW)**

The HLSW is a Small Electronic Switch which Provides High Low Dimming Control Through the LED Driver's 0-10V Control. Switching is Done by Adding a Secondary AC Switched Hot Trigger Line to the HLSW in Addition to the Normal AC Power Line. When the Secondary Trigger Line is Powered, the Fixture will go to 100% Dimming. With no Power to the Trigger, the Fixture will operate at 50% or 25% Dimming. Switches for the Trigger Line can be a Normal AC Switch/Breaker or Timed Switch/Breaker.

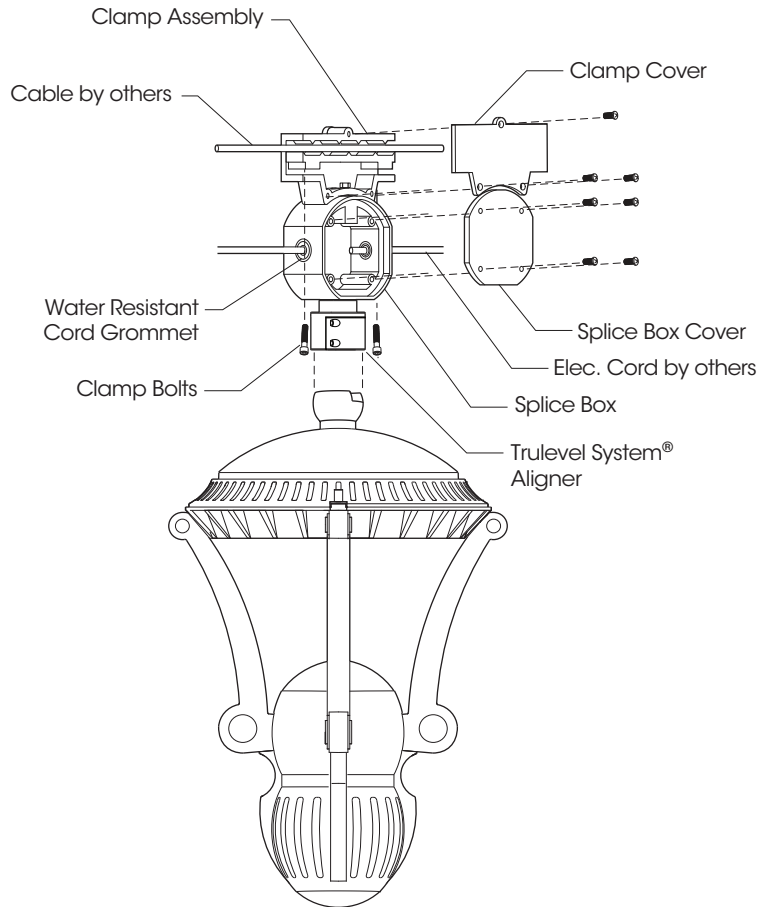
**Wireless and Other Fixture Controls**

Contact Factory for Wireless and Other Fixture Controls and Recommendations. Most Controls Can be Integrated and Factory Installed.

**INSTALLATION DETAIL**

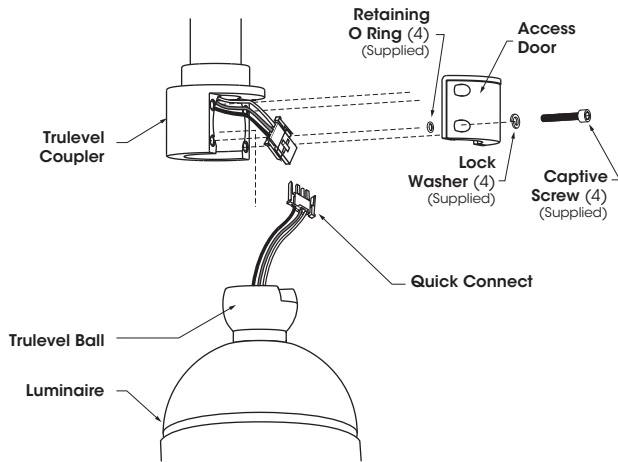


**MOZ Post Top Installation**

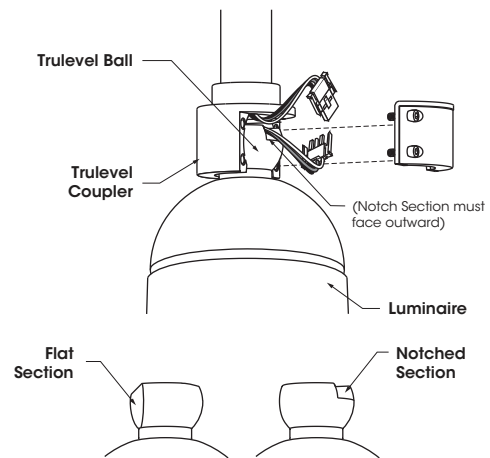


**MOZ Catenary Installation**

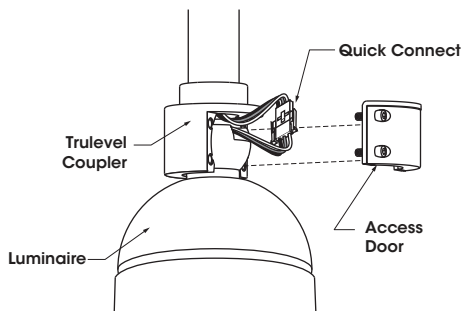
## Trulevel System® Assembly



1. Loosen (4) Captive Screws and remove Access Door from Trulevel Coupler, pull out Quick Connect from Trulevel Coupler and Trulevel Ball.

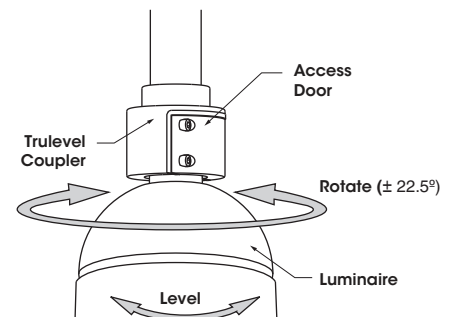


2. Place Trulevel Ball inside of Trulevel Coupler as illustrated.
  - A - Notched Section of Trulevel Ball must face outward as illustrated.
  - B - Flat Section of Trulevel Ball must face inward.



3. Connect Quick Connect components, push components inside of Trulevel Coupler cavity, replace Access Door and loosely secure, do not tighten.

Fixture will suspend without Access Door during installation.



4. Rotate (left to right  $\pm 22.5^\circ$ ) and level Luminaire to desired position. Tighten Access Door.

(Tighten each bolt to recommended torque: **10 ft-lb, foot-PMound**)

Trulevel Pendant Mount is intended to allow for fixture leveling, but is not intended to be "free-swinging" upon proper installation.

**PHOTOMETRIC DATA GUIDE - AMPERAGE CHART (MOZ-PLED)**

# of LEDs	mA	System Watts	120V	208V	277V	347V	480V
20	175	11.0	0.09	0.05	0.04	0.03	0.02
20	350	22.0	0.18	0.11	0.08	0.06	0.05
20	525	33.0	0.28	0.16	0.12	0.10	0.07
20	700	44.0	0.37	0.21	0.16	0.13	0.09
20	875	55.0	0.46	0.26	0.20	0.16	0.11
36	175	19.8	0.17	0.10	0.07	0.06	0.04
36	350	39.6	0.33	0.19	0.14	0.11	0.08
36	525	59.4	0.50	0.29	0.21	0.17	0.12
36	700	79.2	0.66	0.38	0.29	0.23	0.17
36	875	99.0	0.83	0.48	0.36	0.29	0.21
48	175	26.4	0.22	0.13	0.10	0.08	0.06
48	350	52.8	0.44	0.25	0.19	0.15	0.11
48	525	79.2	0.66	0.38	0.29	0.23	0.17
48	700	105.6	0.88	0.51	0.38	0.30	0.22
48	875	132.0	1.10	0.63	0.48	0.38	0.28
80	175	44.0	0.37	0.21	0.16	0.13	0.09
80	350	88.0	0.73	0.42	0.32	0.25	0.18
80	525	132.0	1.10	0.63	0.48	0.38	0.28
80	700	174.0	1.45	0.84	0.63	0.50	0.36
80	875	220.0	1.83	1.06	0.79	0.63	0.46

**PHOTOMETRIC DATA GUIDE - LM-80 LUMEN MAINTENANCE**

LED Life / Operating Hours	Lumen Depreciation	Lumen Depreciation Scale Factor
60,000+ (10K LED Test Hrs)	L94	0.94x
100,000 (Theoretical)	L92	0.92x
150,000 (Theoretical)	L89	0.89x

Lumen Depreciation Calculations Done in Accordance With IESNA TM-21 & LM-80 (25°C Ambient)

TM-21 6x Test Time Dictates that L94 > 60,000 Hours.

IES File downloads for this product can be found at [www.usaltg.com/downloads/asr.html](http://www.usaltg.com/downloads/asr.html)





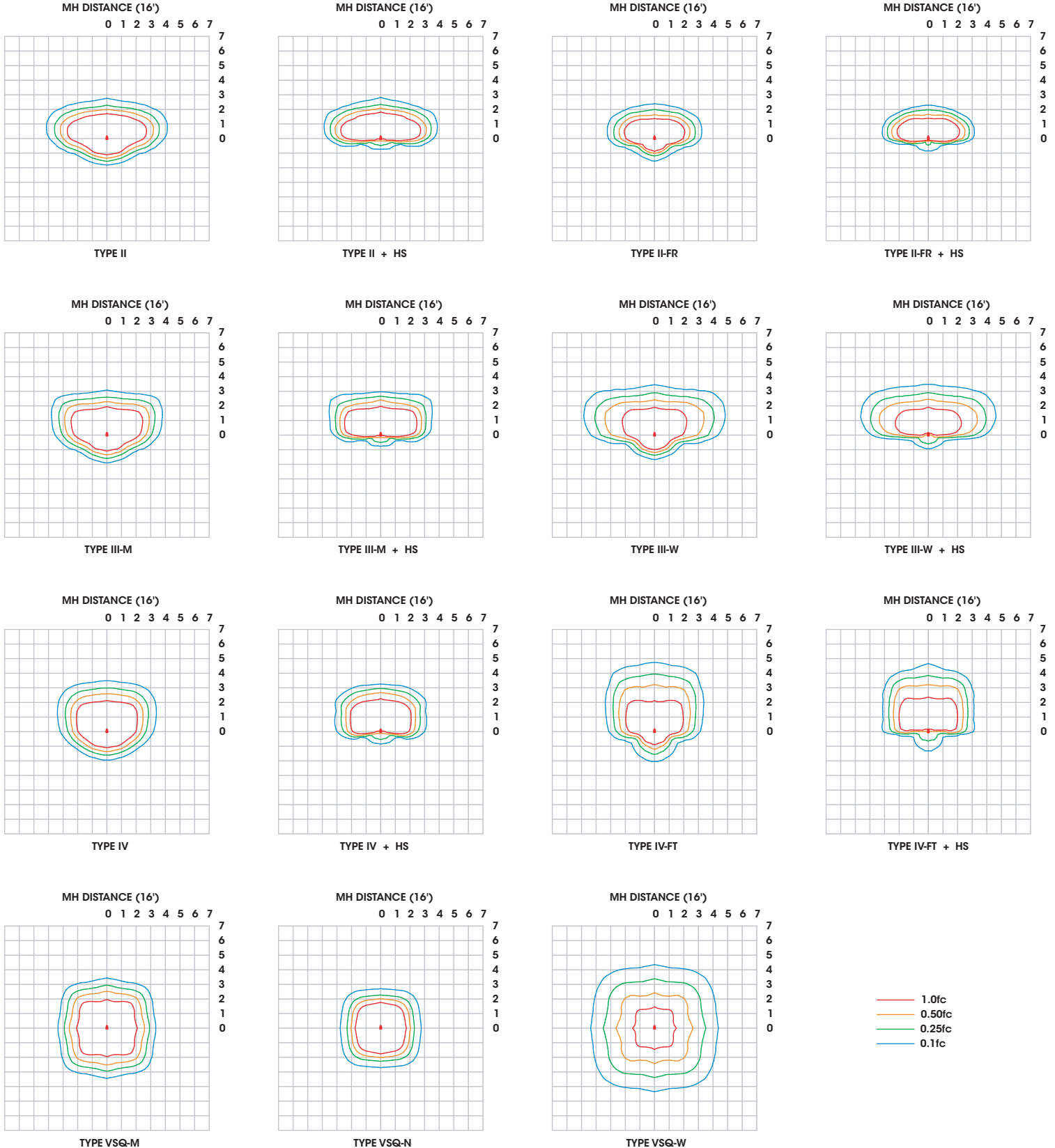
## PHOTOMETRIC DATA GUIDE - LUMEN TABLES (MOZ12-PLED-NL)

MOZ12-PLED-NL																			
LED Count	Drive Current (mA)	System Watts	Dist'n Type	27K (2700K - 70CRI)			30K (3000K - 70CRI)			40K (4000K - 70CRI)			50K (5000K - 70CRI)			System Watts	TRA (590nm)		
				LUMENS	LPW	BUG RATING	LUMENS	LPW	BUG RATING	LUMENS	LPW	BUG RATING	LUMENS	LPW	BUG RATING		LUMENS	LPW	BUG RATING
20	175	11.0	II	1171	106	B0-U0-G1	1264	115	B1-U0-G1	1331	121	B1-U0-G1	1397	127	B1-U0-G1	8.5	464	55	B0-U0-G0
			II-FR	1093	99	B0-U0-G0	1179	107	B0-U0-G0	1242	113	B0-U0-G0	1304	119	B0-U0-G0		433	51	B0-U0-G0
			III-M	1200	109	B0-U0-G1	1295	118	B0-U0-G1	1363	124	B0-U0-G1	1431	130	B1-U0-G1		476	56	B0-U0-G0
			III-W	1125	102	B0-U0-G1	1214	110	B0-U0-G1	1278	116	B0-U0-G1	1342	122	B0-U0-G1		446	52	B0-U0-G1
			IV	1200	109	B0-U0-G1	1295	118	B0-U0-G1	1363	124	B1-U0-G1	1431	130	B1-U0-G1		476	56	B0-U0-G0
			IV-FT	1089	99	B0-U0-G1	1176	107	B0-U0-G1	1238	113	B0-U0-G1	1299	118	B0-U0-G1		432	51	B0-U0-G1
			VSQ-N	1218	111	B1-U0-G0	1315	120	B1-U0-G0	1384	126	B1-U0-G0	1453	132	B1-U0-G0		483	57	B0-U0-G0
			VSQ-M	1269	115	B1-U0-G0	1370	125	B1-U0-G0	1443	131	B1-U0-G0	1514	138	B1-U0-G0		504	59	B1-U0-G0
			VSQ-W	1253	114	B1-U0-G1	1353	123	B1-U0-G1	1424	129	B1-U0-G1	1495	136	B1-U0-G1		497	58	B1-U0-G1
			ASY	886	81	B0-U0-G0	957	87	B0-U0-G0	1007	92	B0-U0-G0	1057	96	B0-U0-G0		351	41	B0-U0-G0
			II-FR-HS	854	78	B0-U0-G0	922	84	B0-U0-G0	970	88	B0-U0-G0	1018	93	B0-U0-G0		338	40	B0-U0-G0
			III-M-HS	905	82	B0-U0-G0	976	89	B0-U0-G0	1028	93	B0-U0-G0	1079	98	B0-U0-G0		358	42	B0-U0-G0
			III-W-HS	898	82	B0-U0-G1	969	88	B0-U0-G1	1020	93	B0-U0-G1	1071	97	B0-U0-G1		356	42	B0-U0-G0
			IV-HS	948	86	B0-U0-G0	1024	93	B0-U0-G0	1077	98	B0-U0-G0	1131	103	B0-U0-G0		376	44	B0-U0-G0
			IV-FT-HS	905	82	B0-U0-G1	976	89	B0-U0-G1	1028	93	B0-U0-G1	1079	98	B0-U0-G1		359	42	B0-U0-G1
			20	350	22.0	II	2129	97	B1-U0-G1	2298	104	B1-U0-G1	2420	110	B1-U0-G1		2540	115	B1-U0-G1
II-FR	1986	90				B1-U0-G1	2144	97	B1-U0-G1	2257	103	B1-U0-G1	2370	108	B1-U0-G1	788	46	B0-U0-G0	
III-M	2181	99				B1-U0-G1	2354	107	B1-U0-G1	2478	113	B1-U0-G1	2602	118	B1-U0-G1	865	51	B0-U0-G0	
III-W	2045	93				B1-U0-G1	2208	100	B1-U0-G1	2324	106	B1-U0-G1	2440	111	B1-U0-G1	811	48	B0-U0-G1	
IV	2181	99				B1-U0-G1	2355	107	B1-U0-G1	2479	113	B1-U0-G1	2603	118	B1-U0-G1	865	51	B0-U0-G0	
IV-FT	1980	90				B0-U0-G1	2137	97	B0-U0-G1	2250	102	B0-U0-G1	2362	107	B0-U0-G1	785	46	B0-U0-G1	
VSQ-N	2215	101				B1-U0-G0	2391	109	B1-U0-G0	2517	114	B1-U0-G0	2643	120	B1-U0-G0	879	52	B1-U0-G0	
VSQ-M	2308	105				B2-U0-G1	2492	113	B2-U0-G1	2623	119	B2-U0-G1	2754	125	B2-U0-G1	915	54	B1-U0-G0	
VSQ-W	2278	104				B2-U0-G1	2459	112	B2-U0-G1	2589	118	B2-U0-G1	2718	124	B2-U0-G1	904	53	B1-U0-G1	
II-HS	1611	73				B0-U0-G1	1739	79	B0-U0-G1	1830	83	B0-U0-G1	1921	87	B0-U0-G1	639	38	B0-U0-G0	
II-FR-HS	1551	71				B0-U0-G0	1675	76	B0-U0-G0	1763	80	B0-U0-G0	1851	84	B0-U0-G0	615	36	B0-U0-G0	
III-M-HS	1644	75				B0-U0-G1	1775	81	B0-U0-G1	1868	85	B0-U0-G1	1961	89	B0-U0-G1	652	38	B0-U0-G0	
III-W-HS	1632	74				B0-U0-G1	1762	80	B0-U0-G1	1855	84	B0-U0-G1	1947	88	B0-U0-G1	647	38	B0-U0-G1	
IV-HS	1723	78				B0-U0-G1	1860	85	B0-U0-G1	1958	89	B0-U0-G1	2056	93	B0-U0-G1	683	40	B0-U0-G0	
IV-FT-HS	1645	75				B0-U0-G1	1776	81	B0-U0-G1	1869	85	B0-U0-G1	1962	89	B0-U0-G1	652	38	B0-U0-G1	
20	525	33.0				II	3066	93	B1-U0-G1	3310	100	B1-U0-G1	3484	106	B1-U0-G1	3658	111	B1-U0-G1	26.0
			II-FR	2860	87	B1-U0-G1	3088	94	B1-U0-G1	3250	98	B1-U0-G1	3413	103	B1-U0-G1	1134	44	B0-U0-G0	
			III-M	3140	95	B1-U0-G1	3390	103	B1-U0-G1	3568	108	B1-U0-G1	3747	114	B1-U0-G1	1245	48	B0-U0-G1	
			III-W	2945	89	B1-U0-G1	3179	96	B1-U0-G1	3346	101	B1-U0-G1	3513	106	B1-U0-G2	1168	45	B0-U0-G1	
			IV	3141	95	B1-U0-G1	3391	103	B1-U0-G1	3570	108	B1-U0-G1	3748	114	B1-U0-G1	1246	48	B0-U0-G1	
			IV-FT	2851	86	B1-U0-G2	3077	93	B1-U0-G2	3239	98	B1-U0-G2	3401	103	B1-U0-G2	1131	43	B0-U0-G1	
			VSQ-N	3189	97	B2-U0-G1	3443	104	B2-U0-G1	3624	110	B2-U0-G1	3805	115	B2-U0-G1	1265	49	B1-U0-G0	
			VSQ-M	3324	101	B2-U0-G1	3588	109	B2-U0-G1	3777	114	B2-U0-G1	3966	120	B2-U0-G1	1318	51	B1-U0-G0	
			VSQ-W	3280	99	B3-U0-G1	3541	107	B3-U0-G1	3728	113	B3-U0-G1	3914	119	B3-U0-G2	1301	50	B1-U0-G1	
			II-HS	2320	70	B0-U0-G1	2504	76	B0-U0-G1	2636	80	B0-U0-G1	2767	84	B0-U0-G1	920	35	B0-U0-G0	
			II-FR-HS	2234	68	B0-U0-G0	2412	73	B0-U0-G0	2539	77	B0-U0-G1	2665	81	B0-U0-G1	886	34	B0-U0-G0	
			III-M-HS	2368	72	B0-U0-G1	2556	77	B0-U0-G1	2690	82	B0-U0-G1	2824	86	B0-U0-G1	938	36	B0-U0-G0	
			III-W-HS	2350	71	B0-U0-G1	2537	77	B0-U0-G1	2671	81	B0-U0-G1	2804	85	B0-U0-G1	932	36	B0-U0-G1	
			IV-HS	2481	75	B0-U0-G1	2679	81	B0-U0-G1	2819	85	B0-U0-G1	2960	90	B0-U0-G1	984	38	B0-U0-G0	
			IV-FT-HS	2369	72	B0-U0-G1	2557	77	B0-U0-G1	2692	82	B0-U0-G1	2826	86	B0-U0-G1	939	36	B0-U0-G1	

IES File downloads for this product can be found at [www.usaltg.com/downloads/asr.html](http://www.usaltg.com/downloads/asr.html)

## PHOTOMETRIC DATA GUIDE - ISOFOOTCANDLE TEMPLATES (MOZ20-PLED-NL)

### MOZ20-PLED-NL-48LED-525mA-40K - 16' Mounting Height (14' Pole)



IES File downloads for this product can be found at [www.usaltg.com/downloads/asr.html](http://www.usaltg.com/downloads/asr.html)

## PHOTOMETRIC DATA GUIDE - LUMEN TABLES (MOZ20-PLED-NL)

MOZ20-PLED-NL																			
LED Count	Drive Current (mA)	System Watts	Dist'n Type	27K (2700K - 70CRI)			30K (3000K - 70CRI)			40K (4000K - 70CRI)			50K (5000K - 70CRI)			System Watts	TRA (590nm)		
				LUMENS	LPW	BUG RATING	LUMENS	LPW	BUG RATING	LUMENS	LPW	BUG RATING	LUMENS	LPW	BUG RATING		LUMENS	LPW	BUG RATING
20	175	11.0	II	1286	117	B1-U0-G0	1388	126	B1-U0-G0	1461	133	B1-U0-G0	1534	139	B1-U0-G0	9.0	526	58	B0-U0-G0
			II-FR	1277	116	B0-U0-G0	1379	125	B0-U0-G0	1452	132	B1-U0-G0	1524	139	B1-U0-G0		523	58	B0-U0-G0
			III-M	1313	119	B0-U0-G0	1417	129	B1-U0-G0	1492	136	B1-U0-G0	1566	142	B1-U0-G0		537	60	B0-U0-G0
			III-W	1209	110	B0-U0-G1	1305	119	B0-U0-G1	1374	125	B0-U0-G1	1443	131	B0-U0-G1		495	55	B0-U0-G0
			IV	1310	119	B0-U0-G0	1414	129	B1-U0-G0	1488	135	B1-U0-G0	1562	142	B1-U0-G0		536	60	B0-U0-G0
			IV-FT	1173	107	B0-U0-G1	1266	115	B0-U0-G1	1333	121	B0-U0-G1	1400	127	B0-U0-G1		480	53	B0-U0-G1
			VSQ-N	1365	124	B1-U0-G0	1474	134	B1-U0-G0	1551	141	B1-U0-G0	1629	148	B1-U0-G0		559	62	B0-U0-G0
			VSQ-M	1351	123	B1-U0-G0	1459	133	B1-U0-G0	1536	140	B1-U0-G0	1612	147	B1-U0-G0		553	61	B1-U0-G0
			VSQ-W	1292	117	B1-U0-G1	1395	127	B1-U0-G1	1469	134	B1-U0-G1	1542	140	B1-U0-G1		529	59	B1-U0-G1
			ASY	949	86	B0-U0-G0	1025	93	B0-U0-G0	1079	98	B0-U0-G0	1132	103	B0-U0-G0		388	43	B0-U0-G0
			II-FR-HS	960	87	B0-U0-G0	1037	94	B0-U0-G0	1091	99	B0-U0-G0	1145	104	B0-U0-G0		393	44	B0-U0-G0
			III-M-HS	966	88	B0-U0-G0	1043	95	B0-U0-G0	1098	100	B0-U0-G0	1152	105	B0-U0-G0		395	44	B0-U0-G0
			III-W-HS	938	85	B0-U0-G1	1013	92	B0-U0-G1	1066	97	B0-U0-G1	1119	102	B0-U0-G1		384	43	B0-U0-G0
			IV-HS	1005	91	B0-U0-G0	1085	99	B0-U0-G0	1142	104	B0-U0-G0	1199	109	B0-U0-G0		411	46	B0-U0-G0
			IV-FT-HS	936	85	B0-U0-G1	1010	92	B0-U0-G1	1063	97	B0-U0-G1	1116	101	B0-U0-G1		383	43	B0-U0-G0
			20	350	22.0	II	2337	106	B1-U0-G1	2523	115	B1-U0-G1	2656	121	B1-U0-G1		2789	127	B1-U0-G1
II-FR	2322	106				B1-U0-G0	2507	114	B1-U0-G0	2639	120	B1-U0-G0	2771	126	B1-U0-G1	860	51	B0-U0-G0	
III-M	2387	109				B1-U0-G1	2577	117	B1-U0-G1	2713	123	B1-U0-G1	2848	129	B1-U0-G1	884	52	B0-U0-G0	
III-W	2198	100				B1-U0-G1	2373	108	B1-U0-G1	2498	114	B1-U0-G1	2623	119	B1-U0-G1	814	48	B0-U0-G1	
IV	2381	108				B1-U0-G1	2570	117	B1-U0-G1	2706	123	B1-U0-G1	2841	129	B1-U0-G1	882	52	B0-U0-G0	
IV-FT	2133	97				B1-U0-G1	2302	105	B1-U0-G1	2424	110	B1-U0-G1	2545	116	B1-U0-G1	790	46	B0-U0-G1	
VSQ-N	2482	113				B1-U0-G0	2679	122	B1-U0-G0	2820	128	B1-U0-G0	2961	135	B1-U0-G0	919	54	B1-U0-G0	
VSQ-M	2457	112				B2-U0-G1	2653	121	B2-U0-G1	2793	127	B2-U0-G1	2932	133	B2-U0-G1	910	54	B1-U0-G0	
VSQ-W	2350	107				B2-U0-G1	2537	115	B2-U0-G1	2670	121	B2-U0-G1	2804	127	B2-U0-G1	870	51	B1-U0-G1	
II-HS	1726	78				B0-U0-G0	1863	85	B0-U0-G1	1961	89	B0-U0-G1	2059	94	B0-U0-G1	639	38	B0-U0-G0	
II-FR-HS	1746	79				B0-U0-G0	1885	86	B0-U0-G0	1984	90	B0-U0-G0	2082	95	B0-U0-G0	647	38	B0-U0-G0	
III-M-HS	1757	80				B0-U0-G1	1896	86	B0-U0-G1	1996	91	B0-U0-G1	2096	95	B0-U0-G1	651	38	B0-U0-G0	
III-W-HS	1705	77				B0-U0-G1	1840	84	B0-U0-G1	1937	88	B0-U0-G1	2034	92	B0-U0-G1	632	37	B0-U0-G1	
IV-HS	1827	83				B0-U0-G1	1972	90	B0-U0-G1	2076	94	B0-U0-G1	2180	99	B0-U0-G1	677	40	B0-U0-G0	
IV-FT-HS	1701	77				B0-U0-G1	1836	83	B0-U0-G1	1933	88	B0-U0-G1	2030	92	B0-U0-G1	630	37	B0-U0-G1	
20	525	33.0				II	3366	102	B1-U0-G1	3633	110	B1-U0-G1	3825	116	B1-U0-G1	4016	122	B1-U0-G1	25.0
			II-FR	3344	101	B1-U0-G1	3610	109	B1-U0-G1	3800	115	B1-U0-G1	3990	121	B1-U0-G1	1011	40	B0-U0-G0	
			III-M	3437	104	B1-U0-G1	3711	112	B1-U0-G1	3906	118	B1-U0-G1	4101	124	B1-U0-G1	1039	42	B0-U0-G0	
			III-W	3165	96	B1-U0-G1	3417	104	B1-U0-G1	3597	109	B1-U0-G1	3777	114	B1-U0-G1	957	38	B0-U0-G1	
			IV	3428	104	B1-U0-G1	3701	112	B1-U0-G1	3896	118	B1-U0-G1	4090	124	B1-U0-G1	1036	41	B0-U0-G0	
			IV-FT	3071	93	B1-U0-G1	3315	100	B1-U0-G1	3490	106	B1-U0-G1	3664	111	B1-U0-G1	928	37	B0-U0-G1	
			VSQ-N	3574	108	B2-U0-G1	3858	117	B2-U0-G1	4061	123	B2-U0-G1	4264	129	B2-U0-G1	1080	43	B1-U0-G0	
			VSQ-M	3539	107	B2-U0-G1	3820	116	B2-U0-G1	4021	122	B2-U0-G1	4222	128	B3-U0-G1	1070	43	B1-U0-G0	
			VSQ-W	3384	103	B3-U0-G1	3653	111	B3-U0-G1	3846	117	B3-U0-G1	4038	122	B3-U0-G1	1023	41	B1-U0-G1	
			II-HS	2485	75	B0-U0-G1	2682	81	B0-U0-G1	2824	86	B0-U0-G1	2965	90	B0-U0-G1	751	30	B0-U0-G0	
			II-FR-HS	2514	76	B0-U0-G0	2713	82	B0-U0-G0	2856	87	B0-U0-G0	2999	91	B0-U0-G0	760	30	B0-U0-G0	
			III-M-HS	2529	77	B0-U0-G1	2730	83	B0-U0-G1	2874	87	B0-U0-G1	3018	91	B0-U0-G1	765	31	B0-U0-G0	
			III-W-HS	2455	74	B0-U0-G1	2650	80	B0-U0-G1	2790	85	B0-U0-G1	2930	89	B0-U0-G1	742	30	B0-U0-G1	
			IV-HS	2631	80	B0-U0-G1	2840	86	B0-U0-G1	2990	91	B0-U0-G1	3139	95	B0-U0-G1	795	32	B0-U0-G0	
			IV-FT-HS	2450	74	B0-U0-G1	2644	80	B0-U0-G1	2784	84	B0-U0-G1	2923	89	B0-U0-G1	741	30	B0-U0-G1	
			20	700	44.0	II	4268	97	B1-U0-G1	4607	105	B1-U0-G1	4850	110	B1-U0-G1	5092	116	B1-U0-G1	
II-FR	4240	96				B1-U0-G1	4578	104	B1-U0-G1	4818	110	B1-U0-G1	5059	115	B1-U0-G1				
III-M	4359	99				B1-U0-G1	4705	107	B1-U0-G1	4953	113	B1-U0-G1	5201	118	B1-U0-G1				
III-W	4014	91				B1-U0-G1	4333	98	B1-U0-G1	4561	104	B1-U0-G2	4789	109	B1-U0-G2				
IV	4347	99				B1-U0-G1	4693	107	B1-U0-G1	4940	112	B1-U0-G1	5187	118	B1-U0-G1				
IV-FT	3895	89				B1-U0-G1	4204	96	B1-U0-G2	4426	101	B1-U0-G2	4647	106	B1-U0-G2				
VSQ-N	4532	103				B2-U0-G1	4892	111	B2-U0-G1	5150	117	B2-U0-G1	5408	123	B2-U0-G1				
VSQ-M	4488	102				B3-U0-G1	4844	110	B3-U0-G1	5099	116	B3-U0-G1	5354	122	B3-U0-G1				
VSQ-W	4291	98				B3-U0-G1	4633	105	B3-U0-G1	4876	111	B3-U0-G1	5120	116	B3-U0-G1				
II-HS	3152	72				B0-U0-G1	3402	77	B0-U0-G1	3581	81	B0-U0-G1	3760	85	B1-U0-G1				
II-FR-HS	3187	72				B0-U0-G0	3441	78	B0-U0-G0	3622	82	B0-U0-G0	3803	86	B0-U0-G0				
III-M-HS	3208	73				B0-U0-G1	3463	79	B0-U0-G1	3645	83	B0-U0-G1	3827	87	B0-U0-G1				
III-W-HS	3113	71				B0-U0-G1	3361	76	B0-U0-G1	3538	80	B0-U0-G1	3714	84	B0-U0-G2				
IV-HS	3336	76				B0-U0-G1	3602	82	B0-U0-G1	3791	86	B0-U0-G1	3981	90	B0-U0-G1				
IV-FT-HS	3106	71				B0-U0-G1	3353	76	B0-U0-G2	3530	80	B0-U0-G2	3706	84	B0-U0-G2				
20	875	55.0				II	5002	91	B1-U0-G1	5400	98	B1-U0-G1	5684	103	B2-U0-G1	5968	109	B2-U0-G1	N/A
			II-FR	4969	90	B1-U0-G1	5365	98	B1-U0-G1	5647	103	B1-U0-G1	5929	108	B1-U0-G1				
			III-M	5109	93	B1-U0-G1	5515	100	B1-U0-G1	5805	106	B1-U0-G2	6095	111	B2-U0-G2				
			III-W	4704	86	B1-U0-G2	5078	92	B1-U0-G2	5346	97	B1-U0-G2	5613	102	B1-U0-G2				
			IV	5095	93	B1-U0-G1	5500	100	B1-U0-G1	5790	105	B1-U0-G2	6079	111	B2-U0-G2				
			IV-FT	4564	83	B1-U0-G2	4927	90	B1-U0-G2	5187	94	B1-U0-G2	5446	99	B1-U0-G2				
			VSQ-N	5312	97	B2-U0-G1	5734	104	B2-U0-G1	6036	110	B2-U0-G1	6337	115	B2-U0-G1				
			VSQ-M	5259	96	B3-U0-G1	5678	103	B3-U0-G1	5977	109	B3-U0-G1	6275	114	B3-U0-G1				
			VSQ-W	5029	91	B3-U0-G1	5429	99	B3-U0-G2	5715	104	B3-U0-G2	6001	109	B3-U0-G2				
			II-HS	3693	67	B1-U0-G1	3987	72	B1-U0-G1	4197	76	B1-U0-G1	4406	80	B1-U0-G1				
			II-FR-HS	3735	68	B0-U0-G0	4032	73	B0-U0-G1	4245	77	B0-U0-G1	4457	81	B0-U0-G1				
			III-M-HS	3759	68	B0-U0-G1	4058	74	B0-U0-G1	4271	78	B0-U0-G2	4485	82	B0-U0-G2				
			III-W-HS	3648	66	B0-U0-G2	3939	72	B0-U0-G2	4146	75	B0-U0-G2	4353	79	B0-U0-G2				
			IV-HS	3910	71	B0-U0-G1	4221	77	B0-U0-G1	4443	81	B0-U0-G1	4665	85	B0-U0-G2				
			IV-FT-HS	3640	66	B0-U0-G2	3930	71	B0-U0-G2	4137	75	B0-U0-G2	4343	79	B0-U0-G2				

IES File downloads for this product can be found at [www.usaltg.com/downloads/asr.html](http://www.usaltg.com/downloads/asr.html)

## PHOTOMETRIC DATA GUIDE - LUMEN TABLES (MOZ20-PLED-NL)

MOZ20-PLED-NL																			
LED Count	Drive Current (mA)	System Watts	Dist'n Type	27K (2700K - 70CRI)			30K (3000K - 70CRI)			40K (4000K - 70CRI)			50K (5000K - 70CRI)			System Watts	TRA (590nm)		
				LUMENS	LPW	BUG RATING	LUMENS	LPW	BUG RATING	LUMENS	LPW	BUG RATING	LUMENS	LPW	BUG RATING		LUMENS	LPW	BUG RATING
36	175	19.8	II	2314	117	B1-U0-G1	2498	126	B1-U0-G1	2630	133	B1-U0-G1	2761	139	B1-U0-G1	16.0	947	59	B0-U0-G0
			II-FR	2299	116	B1-U0-G0	2481	125	B1-U0-G0	2612	132	B1-U0-G0	2743	139	B1-U0-G0		940	59	B0-U0-G0
			III-M	2363	119	B1-U0-G1	2551	129	B1-U0-G1	2686	136	B1-U0-G1	2820	142	B1-U0-G1		967	60	B0-U0-G0
			III-W	2176	110	B1-U0-G1	2349	119	B1-U0-G1	2473	125	B1-U0-G1	2597	131	B1-U0-G1		890	56	B0-U0-G1
			IV	2357	119	B1-U0-G1	2544	128	B1-U0-G1	2678	135	B1-U0-G1	2812	142	B1-U0-G1		964	60	B0-U0-G0
			IV-FT	2111	107	B1-U0-G1	2279	115	B1-U0-G1	2399	121	B1-U0-G1	2519	127	B1-U0-G1		864	54	B0-U0-G1
			VSQ-N	2457	124	B1-U0-G0	2653	134	B1-U0-G0	2792	141	B1-U0-G0	2932	148	B1-U0-G0		1005	63	B1-U0-G0
			VSQ-M	2433	123	B2-U0-G1	2626	133	B2-U0-G1	2765	140	B2-U0-G1	2903	147	B2-U0-G1		995	62	B1-U0-G0
			VSQ-W	2326	117	B2-U0-G1	2511	127	B2-U0-G1	2644	134	B2-U0-G1	2776	140	B2-U0-G1		952	59	B1-U0-G1
			II-HS	1709	86	B0-U0-G0	1844	93	B0-U0-G1	1941	98	B0-U0-G1	2038	103	B0-U0-G1		699	44	B0-U0-G0
			II-FR-HS	1728	87	B0-U0-G0	1866	94	B0-U0-G0	1964	99	B0-U0-G0	2062	104	B0-U0-G0		707	44	B0-U0-G0
			III-M-HS	1739	88	B0-U0-G1	1877	95	B0-U0-G1	1976	100	B0-U0-G1	2074	105	B0-U0-G1		711	44	B0-U0-G0
			III-W-HS	1688	85	B0-U0-G1	1822	92	B0-U0-G1	1918	97	B0-U0-G1	2014	102	B0-U0-G1		690	43	B0-U0-G1
			IV-HS	1809	91	B0-U0-G1	1952	99	B0-U0-G1	2055	104	B0-U0-G1	2158	109	B0-U0-G1		740	46	B0-U0-G0
			IV-FT-HS	1684	85	B0-U0-G1	1818	92	B0-U0-G1	1914	97	B0-U0-G1	2009	101	B0-U0-G1		689	43	B0-U0-G1
			36	350	39.6	II	4207	106	B1-U0-G1	4541	115	B1-U0-G1	4781	121	B1-U0-G1		5020	127	B1-U0-G1
II-FR	4180	106				B1-U0-G1	4512	114	B1-U0-G1	4749	120	B1-U0-G1	4987	126	B1-U0-G1	1548	51	B1-U0-G0	
III-M	4297	109				B1-U0-G1	4638	117	B1-U0-G1	4883	123	B1-U0-G1	5126	129	B1-U0-G1	1592	52	B1-U0-G0	
III-W	3957	100				B1-U0-G1	4271	108	B1-U0-G1	4496	114	B1-U0-G2	4721	119	B1-U0-G2	1466	48	B0-U0-G1	
IV	4285	108				B1-U0-G1	4626	117	B1-U0-G1	4869	123	B1-U0-G1	5113	129	B1-U0-G1	1587	52	B1-U0-G1	
IV-FT	3839	97				B1-U0-G1	4144	105	B1-U0-G1	4362	110	B1-U0-G2	4580	116	B1-U0-G2	1422	47	B0-U0-G1	
VSQ-N	4467	113				B2-U0-G1	4822	122	B2-U0-G1	5076	128	B2-U0-G1	5330	135	B2-U0-G1	1655	54	B1-U0-G0	
VSQ-M	4423	112				B3-U0-G1	4775	121	B3-U0-G1	5026	127	B3-U0-G1	5278	133	B3-U0-G1	1639	54	B1-U0-G0	
VSQ-W	4230	107				B3-U0-G1	4566	115	B3-U0-G1	4806	121	B3-U0-G1	5047	127	B3-U0-G1	1567	51	B1-U0-G1	
II-HS	3106	78				B0-U0-G1	3353	85	B0-U0-G1	3530	89	B0-U0-G1	3706	94	B1-U0-G1	1151	38	B0-U0-G0	
II-FR-HS	3142	79				B0-U0-G0	3391	86	B0-U0-G0	3570	90	B0-U0-G0	3748	95	B0-U0-G0	1164	38	B0-U0-G0	
III-M-HS	3162	80				B0-U0-G1	3413	86	B0-U0-G1	3593	91	B0-U0-G1	3772	95	B0-U0-G1	1171	38	B0-U0-G0	
III-W-HS	3069	77				B0-U0-G1	3313	84	B0-U0-G1	3487	88	B0-U0-G1	3661	92	B0-U0-G2	1137	37	B0-U0-G1	
IV-HS	3289	83				B0-U0-G1	3550	90	B0-U0-G1	3737	94	B0-U0-G1	3924	99	B0-U0-G1	1219	40	B0-U0-G0	
IV-FT-HS	3062	77				B0-U0-G1	3305	83	B0-U0-G2	3479	88	B0-U0-G2	3653	92	B0-U0-G2	1134	37	B0-U0-G1	
36	525	59.4				II	6058	102	B2-U0-G1	6540	110	B2-U0-G2	6884	116	B2-U0-G2	7228	122	B2-U0-G2	45.7
			II-FR	6019	101	B1-U0-G1	6497	109	B2-U0-G1	6839	115	B2-U0-G1	7181	121	B2-U0-G1	1819	40	B1-U0-G0	
			III-M	6187	104	B2-U0-G2	6679	112	B2-U0-G2	7031	118	B2-U0-G2	7382	124	B2-U0-G2	1870	41	B1-U0-G1	
			III-W	5698	96	B1-U0-G2	6151	104	B1-U0-G2	6474	109	B1-U0-G2	6798	114	B1-U0-G2	1722	38	B0-U0-G1	
			IV	6171	104	B2-U0-G2	6661	112	B2-U0-G2	7012	118	B2-U0-G2	7362	124	B2-U0-G2	1865	41	B1-U0-G1	
			IV-FT	5528	93	B1-U0-G2	5967	100	B1-U0-G2	6282	106	B1-U0-G2	6596	111	B1-U0-G2	1671	37	B0-U0-G1	
			VSQ-N	6433	108	B2-U0-G1	6944	117	B2-U0-G1	7310	123	B2-U0-G1	7675	129	B2-U0-G1	1944	43	B1-U0-G0	
			VSQ-M	6370	107	B3-U0-G1	6876	116	B3-U0-G1	7238	122	B3-U0-G1	7600	128	B3-U0-G2	1925	42	B1-U0-G0	
			VSQ-W	6091	103	B3-U0-G2	6576	111	B3-U0-G2	6922	117	B3-U0-G2	7268	122	B3-U0-G2	1841	40	B2-U0-G1	
			II-HS	4473	75	B1-U0-G1	4829	81	B1-U0-G2	5083	86	B1-U0-G2	5337	90	B1-U0-G2	1352	30	B0-U0-G0	
			II-FR-HS	4524	76	B0-U0-G1	4884	82	B0-U0-G1	5141	87	B1-U0-G1	5398	91	B1-U0-G1	1368	30	B0-U0-G0	
			III-M-HS	4553	77	B0-U0-G2	4915	83	B0-U0-G2	5173	87	B0-U0-G2	5432	91	B0-U0-G2	1376	30	B0-U0-G0	
			III-W-HS	4419	74	B0-U0-G2	4770	80	B0-U0-G2	5021	85	B0-U0-G2	5272	89	B0-U0-G2	1336	29	B0-U0-G1	
			IV-HS	4735	80	B0-U0-G2	5112	86	B0-U0-G2	5381	91	B0-U0-G2	5650	95	B0-U0-G2	1431	31	B0-U0-G0	
			IV-FT-HS	4409	74	B0-U0-G2	4759	80	B0-U0-G2	5010	84	B0-U0-G2	5261	89	B1-U0-G2	1333	29	B0-U0-G1	
			36	700	79.2	II	7682	97	B2-U0-G2	8293	105	B2-U0-G2	8729	110	B2-U0-G2	9166	116	B2-U0-G2	
II-FR	7632	96				B2-U0-G1	8239	104	B2-U0-G1	8673	110	B2-U0-G1	9106	115	B2-U0-G1				
III-M	7846	99				B2-U0-G2	8469	107	B2-U0-G2	8915	113	B2-U0-G2	9361	118	B2-U0-G2				
III-W	7224	91				B1-U0-G2	7799	98	B1-U0-G2	8210	104	B2-U0-G2	8620	109	B2-U0-G2				
IV	7825	99				B2-U0-G2	8447	107	B2-U0-G2	8892	112	B2-U0-G2	9336	118	B2-U0-G2				
IV-FT	7010	89				B1-U0-G2	7567	96	B1-U0-G2	7966	101	B1-U0-G2	8364	106	B2-U0-G2				
VSQ-N	8157	103				B3-U0-G1	8805	111	B3-U0-G1	9269	117	B3-U0-G1	9733	123	B3-U0-G1				
VSQ-M	8077	102				B3-U0-G2	8719	110	B3-U0-G2	9178	116	B3-U0-G2	9637	122	B3-U0-G2				
VSQ-W	7724	98				B3-U0-G2	8338	105	B3-U0-G2	8777	111	B4-U0-G2	9216	116	B4-U0-G2				
II-HS	5672	72				B1-U0-G2	6123	77	B1-U0-G2	6445	81	B1-U0-G2	6767	85	B1-U0-G2				
II-FR-HS	5737	72				B1-U0-G1	6193	78	B1-U0-G1	6519	82	B1-U0-G1	6845	86	B1-U0-G1				
III-M-HS	5773	73				B1-U0-G2	6232	79	B1-U0-G2	6560	83	B1-U0-G2	6888	87	B1-U0-G2				
III-W-HS	5603	71				B0-U0-G2	6049	76	B1-U0-G2	6367	80	B1-U0-G2	6685	84	B1-U0-G2				
IV-HS	6005	76				B1-U0-G2	6482	82	B1-U0-G2	6824	86	B1-U0-G2	7165	90	B1-U0-G2				
IV-FT-HS	5591	71				B1-U0-G2	6035	76	B1-U0-G2	6353	80	B1-U0-G2	6671	84	B1-U0-G2				
36	875	99.0				II	9003	91	B2-U0-G2	9719	98	B2-U0-G2	10230	103	B2-U0-G2	10742	109	B2-U0-G2	N/A
			II-FR	8944	90	B2-U0-G1	9656	98	B2-U0-G1	10164	103	B2-U0-G1	10672	108	B2-U0-G1				
			III-M	9195	93	B2-U0-G2	9926	100	B2-U0-G2	10449	106	B2-U0-G2	10971	111	B2-U0-G2				
			III-W	8467	86	B2-U0-G2	9141	92	B2-U0-G2	9622	97	B2-U0-G2	10103	102	B2-U0-G2				
			IV	9170	93	B2-U0-G2	9899	100	B2-U0-G2	10421	105	B2-U0-G2	10941	111	B2-U0-G2				
			IV-FT	8215	83	B1-U0-G2	8868	90	B2-U0-G2	9335	94	B2-U0-G2	9802	99	B2-U0-G2				
			VSQ-N	9560	97	B3-U0-G1	10320	104	B3-U0-G1	10864	110	B3-U0-G1	11407	115	B3-U0-G1				
			VSQ-M	9466	96	B3-U0-G2	10219	103	B3-U0-G2	10757	109	B4-U0-G2	11295	114	B4-U0-G2				
			VSQ-W	9052	91	B4-U0-G2	9772	99	B4-U0-G2	10287	104	B4-U0-G2	10801	109	B4-U0-G2				
			II-HS	6647	67	B1-U0-G2	7175	72	B1-U0-G2	7553	76	B1-U0-G2	7931	80	B1-U0-G2				
			II-FR-HS	6724	68	B1-U0-G1	7258	73	B1-U0-G1	7640	77	B1-U0-G1	8022	81	B1-U0-G1				
			III-M-HS	6766	68	B1-U0-G2	7303	74	B1-U0-G2	7688	78	B1-U0-G2	8072	82	B1-U0-G2				
			III-W-HS	6567	66	B1-U0-G2	7089	72	B1-U0-G2	7462	75	B1-U0-G2	7835	79	B1-U0-G2				
			IV-HS	7038	71	B1-U0-G2	7597	77	B1-U0-G2	7997	81	B1-U0-G2	8397	85	B1-U0-G2				
			IV-FT-HS	6552	66	B1-U0-G2	7073	71	B1-U0-G2	7446	75	B1-U0-G2	7818	79	B1-U0-G2				

IES File downloads for this product can be found at [www.usaltg.com/downloads/asr.html](http://www.usaltg.com/downloads/asr.html)

## PHOTOMETRIC DATA GUIDE - LUMEN TABLES (MOZ20-PLED-NL)

MOZ20-PLED-NL																			
LED Count	Drive Current (mA)	System Watts	Dist'n Type	27K (2700K - 70CRI)			30K (3000K - 70CRI)			40K (4000K - 70CRI)			50K (5000K - 70CRI)			System Watts	TRA (590nm)		
				LUMENS	LPW	BUG RATING	LUMENS	LPW	BUG RATING	LUMENS	LPW	BUG RATING	LUMENS	LPW	BUG RATING		LUMENS	LPW	BUG RATING
48	175	26.4	II	2838	108	B1-U0-G1	3064	116	B1-U0-G1	3225	122	B1-U0-G1	3387	128	B1-U0-G1	21.0	1161	55	B0-U0-G0
			II-FR	2820	107	B1-U0-G1	3044	115	B1-U0-G1	3205	121	B1-U0-G1	3365	127	B1-U0-G1		1153	55	B0-U0-G0
			III-M	2899	110	B1-U0-G1	3129	119	B1-U0-G1	3294	125	B1-U0-G1	3459	131	B1-U0-G1		1186	56	B0-U0-G0
			III-W	2670	101	B1-U0-G1	2882	109	B1-U0-G1	3033	115	B1-U0-G1	3185	121	B1-U0-G1		1092	52	B0-U0-G1
			IV	2891	110	B1-U0-G1	3121	118	B1-U0-G1	3285	124	B1-U0-G1	3450	131	B1-U0-G1		1183	56	B0-U0-G0
			IV-FT	2590	98	B1-U0-G1	2796	106	B1-U0-G1	2943	111	B1-U0-G1	3090	117	B1-U0-G1		1060	50	B0-U0-G1
			VSQ-N	3014	114	B1-U0-G0	3253	123	B2-U0-G0	3425	130	B2-U0-G1	3596	136	B2-U0-G1		1233	59	B1-U0-G0
			VSQ-M	2984	113	B2-U0-G1	3222	122	B2-U0-G1	3391	128	B2-U0-G1	3561	135	B2-U0-G1		1221	58	B0-U0-G0
			VSQ-W	2854	108	B2-U0-G1	3081	117	B2-U0-G1	3243	123	B2-U0-G1	3405	129	B3-U0-G1		1168	56	B1-U0-G1
			II-HS	2096	79	B0-U0-G1	2262	86	B0-U0-G1	2381	90	B0-U0-G1	2501	95	B0-U0-G1		857	41	B0-U0-G0
			II-FR-HS	2120	80	B0-U0-G0	2288	87	B0-U0-G0	2409	91	B0-U0-G0	2529	96	B0-U0-G0		867	41	B0-U0-G0
			III-M-HS	2133	81	B0-U0-G1	2302	87	B0-U0-G1	2424	92	B0-U0-G1	2545	96	B0-U0-G1		873	42	B0-U0-G0
			III-W-HS	2070	78	B0-U0-G1	2235	85	B0-U0-G1	2353	89	B0-U0-G1	2470	94	B0-U0-G1		847	40	B0-U0-G1
			IV-HS	2219	84	B0-U0-G1	2395	91	B0-U0-G1	2521	96	B0-U0-G1	2648	100	B0-U0-G1		908	43	B0-U0-G0
			IV-FT-HS	2066	78	B0-U0-G1	2230	84	B0-U0-G1	2347	89	B0-U0-G1	2465	93	B0-U0-G1		845	40	B0-U0-G1
			48	350	52.8	II	5161	98	B1-U0-G1	5571	106	B1-U0-G1	5864	111	B2-U0-G1		6157	117	B2-U0-G1
II-FR	5127	97				B1-U0-G1	5535	105	B1-U0-G1	5826	110	B1-U0-G1	6117	116	B1-U0-G1	1899	47	B1-U0-G0	
III-M	5270	100				B1-U0-G1	5689	108	B1-U0-G2	5989	113	B1-U0-G2	6288	119	B2-U0-G2	1952	48	B1-U0-G1	
III-W	4853	92				B1-U0-G2	5239	99	B1-U0-G2	5515	104	B1-U0-G2	5791	110	B1-U0-G2	1798	44	B0-U0-G1	
IV	5256	100				B1-U0-G1	5674	107	B1-U0-G1	5973	113	B2-U0-G2	6272	119	B2-U0-G2	1947	48	B1-U0-G1	
IV-FT	4709	89				B1-U0-G2	5083	96	B1-U0-G2	5351	101	B1-U0-G2	5619	106	B1-U0-G2	1745	43	B0-U0-G1	
VSQ-N	5480	104				B2-U0-G1	5916	112	B2-U0-G1	6227	118	B2-U0-G1	6538	124	B2-U0-G1	2030	50	B1-U0-G0	
VSQ-M	5426	103				B3-U0-G1	5857	111	B3-U0-G1	6166	117	B3-U0-G1	6474	123	B3-U0-G1	2010	49	B1-U0-G0	
VSQ-W	5189	98				B3-U0-G1	5601	106	B3-U0-G2	5896	112	B3-U0-G2	6191	117	B3-U0-G2	1922	47	B2-U0-G1	
II-HS	3810	72				B1-U0-G1	4113	78	B1-U0-G1	4330	82	B1-U0-G1	4546	86	B1-U0-G1	1412	35	B0-U0-G0	
II-FR-HS	3854	73				B0-U0-G1	4160	79	B0-U0-G1	4379	83	B0-U0-G1	4598	87	B0-U0-G1	1428	35	B0-U0-G0	
III-M-HS	3878	73				B0-U0-G1	4186	79	B0-U0-G2	4407	83	B0-U0-G2	4627	88	B0-U0-G2	1437	35	B0-U0-G0	
III-W-HS	3764	71				B0-U0-G2	4064	77	B0-U0-G2	4278	81	B0-U0-G2	4491	85	B0-U0-G2	1394	34	B0-U0-G1	
IV-HS	4034	76				B0-U0-G1	4355	82	B0-U0-G1	4584	87	B0-U0-G2	4813	91	B0-U0-G2	1494	37	B0-U0-G0	
IV-FT-HS	3755	71				B0-U0-G2	4054	77	B0-U0-G2	4268	81	B0-U0-G2	4481	85	B0-U0-G2	1391	34	B0-U0-G1	
48	525	79.2				II	7431	94	B2-U0-G2	8022	101	B2-U0-G2	8444	107	B2-U0-G2	8866	112	B2-U0-G2	61.0
			II-FR	7383	93	B2-U0-G1	7970	101	B2-U0-G1	8390	106	B2-U0-G1	8809	111	B2-U0-G1	2232	37	B1-U0-G0	
			III-M	7589	96	B2-U0-G2	8193	103	B2-U0-G2	8624	109	B2-U0-G2	9055	114	B2-U0-G2	2294	38	B1-U0-G1	
			III-W	6989	88	B1-U0-G2	7545	95	B1-U0-G2	7942	100	B1-U0-G2	8339	105	B2-U0-G2	2112	35	B1-U0-G1	
			IV	7569	96	B2-U0-G2	8171	103	B2-U0-G2	8601	109	B2-U0-G2	9031	114	B2-U0-G2	2288	38	B1-U0-G1	
			IV-FT	6781	86	B1-U0-G2	7320	92	B1-U0-G2	7706	97	B1-U0-G2	8091	102	B1-U0-G2	2050	34	B1-U0-G1	
			VSQ-N	7891	100	B3-U0-G1	8518	108	B3-U0-G1	8967	113	B3-U0-G1	9415	119	B3-U0-G1	2385	39	B1-U0-G0	
			VSQ-M	7814	99	B3-U0-G2	8435	106	B3-U0-G2	8879	112	B3-U0-G2	9323	118	B3-U0-G2	2362	39	B2-U0-G1	
			VSQ-W	7472	94	B3-U0-G2	8066	102	B3-U0-G2	8491	107	B4-U0-G2	8915	113	B4-U0-G2	2259	37	B2-U0-G1	
			II-HS	5487	69	B1-U0-G2	5923	75	B1-U0-G2	6235	79	B1-U0-G2	6546	83	B1-U0-G2	1659	27	B0-U0-G0	
			II-FR-HS	5550	70	B1-U0-G1	5991	76	B1-U0-G1	6306	80	B1-U0-G1	6621	84	B1-U0-G1	1678	28	B0-U0-G0	
			III-M-HS	5584	71	B0-U0-G2	6028	76	B1-U0-G2	6346	80	B1-U0-G2	6663	84	B1-U0-G2	1688	28	B0-U0-G1	
			III-W-HS	5420	68	B0-U0-G2	5851	74	B1-U0-G2	6160	78	B1-U0-G2	6467	82	B1-U0-G2	1638	27	B0-U0-G1	
			IV-HS	5809	73	B1-U0-G2	6270	79	B1-U0-G2	6601	83	B1-U0-G2	6931	88	B1-U0-G2	1756	29	B0-U0-G1	
			IV-FT-HS	5408	68	B1-U0-G2	5838	74	B1-U0-G2	6146	78	B1-U0-G2	6453	81	B1-U0-G2	1635	27	B0-U0-G1	
			48	700	105.6	II	9423	89	B2-U0-G2	10173	96	B2-U0-G2	10708	101	B2-U0-G2	11243	106	B2-U0-G2	
II-FR	9362	89				B2-U0-G1	10106	96	B2-U0-G1	10638	101	B2-U0-G1	11170	106	B2-U0-G1				
III-M	9624	91				B2-U0-G2	10389	98	B2-U0-G2	10936	104	B2-U0-G2	11483	109	B2-U0-G2				
III-W	8862	84				B2-U0-G2	9567	91	B2-U0-G2	10071	95	B2-U0-G2	10574	100	B2-U0-G2				
IV	9598	91				B2-U0-G2	10361	98	B2-U0-G2	10907	103	B2-U0-G2	11452	108	B2-U0-G2				
IV-FT	8599	81				B2-U0-G2	9282	88	B2-U0-G2	9771	93	B2-U0-G2	10260	97	B2-U0-G2				
VSQ-N	10006	95				B3-U0-G1	10802	102	B3-U0-G1	11371	108	B3-U0-G1	11939	113	B3-U0-G1				
VSQ-M	9908	94				B3-U0-G2	10696	101	B4-U0-G2	11259	107	B4-U0-G2	11822	112	B4-U0-G2				
VSQ-W	9474	90				B4-U0-G2	10228	97	B4-U0-G2	10766	102	B4-U0-G2	11304	107	B4-U0-G2				
II-HS	6958	66				B1-U0-G2	7511	71	B1-U0-G2	7906	75	B1-U0-G2	8302	79	B1-U0-G2				
II-FR-HS	7037	67				B1-U0-G1	7597	72	B1-U0-G1	7997	76	B1-U0-G1	8397	80	B1-U0-G1				
III-M-HS	7081	67				B1-U0-G2	7645	72	B1-U0-G2	8047	76	B1-U0-G2	8449	80	B1-U0-G2				
III-W-HS	6873	65				B1-U0-G2	7420	70	B1-U0-G2	7811	74	B1-U0-G2	8201	78	B1-U0-G2				
IV-HS	7366	70				B1-U0-G2	7952	75	B1-U0-G2	8370	79	B1-U0-G2	8789	83	B1-U0-G2				
IV-FT-HS	6858	65				B1-U0-G2	7403	70	B1-U0-G2	7793	74	B1-U0-G2	8183	77	B1-U0-G2				
48	875	132.0				II	11043	84	B2-U0-G2	11922	90	B2-U0-G2	12549	95	B2-U0-G2	13177	100	B2-U0-G2	N/A
			II-FR	10972	83	B2-U0-G1	11844	90	B2-U0-G1	12468	94	B2-U0-G1	13091	99	B3-U0-G1				
			III-M	11279	85	B2-U0-G2	12176	92	B2-U0-G2	12817	97	B2-U0-G2	13457	102	B2-U0-G2				
			III-W	10386	79	B2-U0-G2	11212	85	B2-U0-G2	11803	89	B2-U0-G3	12393	94	B2-U0-G3				
			IV	11249	85	B2-U0-G2	12144	92	B2-U0-G2	12783	97	B2-U0-G2	13422	102	B2-U0-G2				
			IV-FT	10077	76	B2-U0-G2	10879	82	B2-U0-G3	11451	87	B2-U0-G3	12024	91	B2-U0-G3				
			VSQ-N	11727	89	B3-U0-G1	12659	96	B3-U0-G1	13326	101	B3-U0-G1	13992	106	B3-U0-G1				
			VSQ-M	11612	88	B4-U0-G2	12535	95	B4-U0-G2	13195	100	B4-U0-G2	13855	105	B4-U0-G2				
			VSQ-W	11104	84	B4-U0-G2	11987	91	B4-U0-G3	12618	96	B4-U0-G3	13249	100	B4-U0-G3				
			II-HS	8154	62	B1-U0-G2	8802	67	B1-U0-G2	9266	70	B1-U0-G2	9729	74	B1-U0-G2				
			II-FR-HS	8247	62	B1-U0-G1	8903	67	B1-U0-G1	9372	71	B1-U0-G1	9840	75	B1-U0-G1				
			III-M-HS	8299	63	B1-U0-G2	8959	68	B1-U0-G2	9431	71	B1-U0-G2	9902	75	B1-U0-G2				
			III-W-HS	8055	61	B1-U0-G2	8696	66	B1-U0-G2	9154	69	B1-U0-G2	9611	73	B1-U0-G2				
			IV-HS	8633	65	B1-U0-G2	9319	71	B1-U0-G2	9810	74	B1-U0-G2	10300	78	B1-U0-G2				
			IV-FT-HS	8037	61	B1-U0-G2	8676	66	B1-U0-G2	9133	69	B1-U0-G2	9590	73	B1-U0-G3				





## PHOTOMETRIC DATA GUIDE - LUMEN TABLES (MOZ26-PLED-NL)

MOZ26-PLED-NL																			
LED Count	Drive Current (mA)	System Watts	Dist'n Type	27K (2700K - 70CRI)			30K (3000K - 70CRI)			40K (4000K - 70CRI)			50K (5000K - 70CRI)			System Watts	TRA (590nm)		
				LUMENS	LPW	BUG RATING	LUMENS	LPW	BUG RATING	LUMENS	LPW	BUG RATING	LUMENS	LPW	BUG RATING		LUMENS	LPW	BUG RATING
36	175	19.8	II	2314	117	B1-U0-G1	2498	126	B1-U0-G1	2630	133	B1-U0-G1	2761	139	B1-U0-G1	16.0	947	59	B0-U0-G0
			II-FR	2299	116	B1-U0-G0	2481	125	B1-U0-G0	2612	132	B1-U0-G0	2743	139	B1-U0-G0		940	59	B0-U0-G0
			III-M	2363	119	B1-U0-G1	2551	129	B1-U0-G1	2686	136	B1-U0-G1	2820	142	B1-U0-G1		967	60	B0-U0-G0
			III-W	2176	110	B1-U0-G1	2349	119	B1-U0-G1	2473	125	B1-U0-G1	2597	131	B1-U0-G1		890	56	B0-U0-G1
			IV	2357	119	B1-U0-G1	2544	128	B1-U0-G1	2678	135	B1-U0-G1	2812	142	B1-U0-G1		964	60	B0-U0-G0
			IV-FT	2111	107	B1-U0-G1	2279	115	B1-U0-G1	2399	121	B1-U0-G1	2519	127	B1-U0-G1		864	54	B0-U0-G1
			VSQ-N	2457	124	B1-U0-G0	2653	134	B1-U0-G0	2792	141	B1-U0-G0	2932	148	B1-U0-G0		1005	63	B1-U0-G0
			VSQ-M	2433	123	B2-U0-G1	2626	133	B2-U0-G1	2765	140	B2-U0-G1	2903	147	B2-U0-G1		995	62	B1-U0-G0
			VSQ-W	2326	117	B2-U0-G1	2511	127	B2-U0-G1	2644	134	B2-U0-G1	2776	140	B2-U0-G1		952	59	B1-U0-G1
			ASY	1709	86	B0-U0-G0	1844	93	B0-U0-G1	1941	98	B0-U0-G1	2038	103	B0-U0-G1		699	44	B0-U0-G0
			II-FR-HS	1728	87	B0-U0-G0	1866	94	B0-U0-G0	1964	99	B0-U0-G0	2062	104	B0-U0-G0		707	44	B0-U0-G0
			III-M-HS	1739	88	B0-U0-G1	1877	95	B0-U0-G1	1976	100	B0-U0-G1	2074	105	B0-U0-G1		711	44	B0-U0-G0
			III-W-HS	1688	85	B0-U0-G1	1822	92	B0-U0-G1	1918	97	B0-U0-G1	2014	102	B0-U0-G1		690	43	B0-U0-G1
			IV-HS	1809	91	B0-U0-G1	1952	99	B0-U0-G1	2055	104	B0-U0-G1	2158	109	B0-U0-G1		740	46	B0-U0-G0
			IV-FT-HS	1684	85	B0-U0-G1	1818	92	B0-U0-G1	1914	97	B0-U0-G1	2009	101	B0-U0-G1		689	43	B0-U0-G1
			36	350	39.6	II	4207	106	B1-U0-G1	4541	115	B1-U0-G1	4781	121	B1-U0-G1		5020	127	B1-U0-G1
II-FR	4180	106				B1-U0-G1	4512	114	B1-U0-G1	4749	120	B1-U0-G1	4987	126	B1-U0-G1	1548	51	B1-U0-G0	
III-M	4297	109				B1-U0-G1	4638	117	B1-U0-G1	4883	123	B1-U0-G1	5126	129	B1-U0-G1	1592	52	B1-U0-G0	
III-W	3957	100				B1-U0-G1	4271	108	B1-U0-G1	4496	114	B1-U0-G2	4721	119	B1-U0-G2	1466	48	B0-U0-G1	
IV	4285	108				B1-U0-G1	4626	117	B1-U0-G1	4869	123	B1-U0-G1	5113	129	B1-U0-G1	1587	52	B1-U0-G1	
IV-FT	3839	97				B1-U0-G1	4144	105	B1-U0-G1	4362	110	B1-U0-G2	4580	116	B1-U0-G2	1422	47	B0-U0-G1	
VSQ-N	4467	113				B2-U0-G1	4822	122	B2-U0-G1	5076	128	B2-U0-G1	5330	135	B2-U0-G1	1655	54	B1-U0-G0	
VSQ-M	4423	112				B3-U0-G1	4775	121	B3-U0-G1	5026	127	B3-U0-G1	5278	133	B3-U0-G1	1639	54	B1-U0-G0	
VSQ-W	4230	107				B3-U0-G1	4566	115	B3-U0-G1	4806	121	B3-U0-G1	5047	127	B3-U0-G1	1567	51	B1-U0-G1	
II-HS	3106	78				B0-U0-G1	3353	85	B0-U0-G1	3530	89	B0-U0-G1	3706	94	B1-U0-G1	1151	38	B0-U0-G0	
II-FR-HS	3142	79				B0-U0-G0	3391	86	B0-U0-G0	3570	90	B0-U0-G0	3748	95	B0-U0-G0	1164	38	B0-U0-G0	
III-M-HS	3162	80				B0-U0-G1	3413	86	B0-U0-G1	3593	91	B0-U0-G1	3772	95	B0-U0-G1	1171	38	B0-U0-G0	
III-W-HS	3069	77				B0-U0-G1	3313	84	B0-U0-G1	3487	88	B0-U0-G1	3661	92	B0-U0-G2	1137	37	B0-U0-G1	
IV-HS	3289	83				B0-U0-G1	3550	90	B0-U0-G1	3737	94	B0-U0-G1	3924	99	B0-U0-G1	1219	40	B0-U0-G0	
IV-FT-HS	3062	77				B0-U0-G1	3305	83	B0-U0-G2	3479	88	B0-U0-G2	3653	92	B0-U0-G2	1134	37	B0-U0-G1	
36	525	59.4				II	6058	102	B2-U0-G1	6540	110	B2-U0-G2	6884	116	B2-U0-G2	7228	122	B2-U0-G2	45.7
			II-FR	6019	101	B1-U0-G1	6497	109	B2-U0-G1	6839	115	B2-U0-G1	7181	121	B2-U0-G1	1819	40	B1-U0-G0	
			III-M	6187	104	B2-U0-G2	6679	112	B2-U0-G2	7031	118	B2-U0-G2	7382	124	B2-U0-G2	1870	41	B1-U0-G1	
			III-W	5698	96	B1-U0-G2	6151	104	B1-U0-G2	6474	109	B1-U0-G2	6798	114	B1-U0-G2	1722	38	B0-U0-G1	
			IV	6171	104	B2-U0-G2	6661	112	B2-U0-G2	7012	118	B2-U0-G2	7362	124	B2-U0-G2	1865	41	B1-U0-G1	
			IV-FT	5528	93	B1-U0-G2	5967	100	B1-U0-G2	6282	106	B1-U0-G2	6596	111	B1-U0-G2	1671	37	B0-U0-G1	
			VSQ-N	6433	108	B2-U0-G1	6944	117	B2-U0-G1	7310	123	B2-U0-G1	7675	129	B2-U0-G1	1944	43	B1-U0-G0	
			VSQ-M	6370	107	B3-U0-G1	6876	116	B3-U0-G1	7238	122	B3-U0-G1	7600	128	B3-U0-G2	1925	42	B1-U0-G0	
			VSQ-W	6091	103	B3-U0-G2	6576	111	B3-U0-G2	6922	117	B3-U0-G2	7268	122	B3-U0-G2	1841	40	B2-U0-G1	
			II-HS	4473	75	B1-U0-G1	4829	81	B1-U0-G2	5083	86	B1-U0-G2	5337	90	B1-U0-G2	1352	30	B0-U0-G0	
			II-FR-HS	4524	76	B0-U0-G1	4884	82	B0-U0-G1	5141	87	B1-U0-G1	5398	91	B1-U0-G1	1368	30	B0-U0-G0	
			III-M-HS	4553	77	B0-U0-G2	4915	83	B0-U0-G2	5173	87	B0-U0-G2	5432	91	B0-U0-G2	1376	30	B0-U0-G0	
			III-W-HS	4419	74	B0-U0-G2	4770	80	B0-U0-G2	5021	85	B0-U0-G2	5272	89	B0-U0-G2	1336	29	B0-U0-G1	
			IV-HS	4735	80	B0-U0-G2	5112	86	B0-U0-G2	5381	91	B0-U0-G2	5650	95	B0-U0-G2	1431	31	B0-U0-G0	
			IV-FT-HS	4409	74	B0-U0-G2	4759	80	B0-U0-G2	5010	84	B0-U0-G2	5261	89	B1-U0-G2	1333	29	B0-U0-G1	
			36	700	79.2	II	7682	97	B2-U0-G2	8293	105	B2-U0-G2	8729	110	B2-U0-G2	9166	116	B2-U0-G2	
II-FR	7632	96				B2-U0-G1	8239	104	B2-U0-G1	8673	110	B2-U0-G1	9106	115	B2-U0-G1				
III-M	7846	99				B2-U0-G2	8469	107	B2-U0-G2	8915	113	B2-U0-G2	9361	118	B2-U0-G2				
III-W	7224	91				B1-U0-G2	7799	98	B1-U0-G2	8210	104	B2-U0-G2	8620	109	B2-U0-G2				
IV	7825	99				B2-U0-G2	8447	107	B2-U0-G2	8892	112	B2-U0-G2	9336	118	B2-U0-G2				
IV-FT	7010	89				B1-U0-G2	7567	96	B1-U0-G2	7966	101	B1-U0-G2	8364	106	B2-U0-G2				
VSQ-N	8157	103				B3-U0-G1	8805	111	B3-U0-G1	9269	117	B3-U0-G1	9733	123	B3-U0-G1				
VSQ-M	8077	102				B3-U0-G2	8719	110	B3-U0-G2	9178	116	B3-U0-G2	9637	122	B3-U0-G2				
VSQ-W	7724	98				B3-U0-G2	8338	105	B3-U0-G2	8777	111	B4-U0-G2	9216	116	B4-U0-G2				
II-HS	5672	72				B1-U0-G2	6123	77	B1-U0-G2	6445	81	B1-U0-G2	6767	85	B1-U0-G2				
II-FR-HS	5737	72				B1-U0-G1	6193	78	B1-U0-G1	6519	82	B1-U0-G1	6845	86	B1-U0-G1				
III-M-HS	5773	73				B1-U0-G2	6232	79	B1-U0-G2	6560	83	B1-U0-G2	6888	87	B1-U0-G2				
III-W-HS	5603	71				B0-U0-G2	6049	76	B1-U0-G2	6367	80	B1-U0-G2	6685	84	B1-U0-G2				
IV-HS	6005	76				B1-U0-G2	6482	82	B1-U0-G2	6824	86	B1-U0-G2	7165	90	B1-U0-G2				
IV-FT-HS	5591	71				B1-U0-G2	6035	76	B1-U0-G2	6353	80	B1-U0-G2	6671	84	B1-U0-G2				
36	875	99.0				II	9003	91	B2-U0-G2	9719	98	B2-U0-G2	10230	103	B2-U0-G2	10742	109	B2-U0-G2	N/A
			II-FR	8944	90	B2-U0-G1	9656	98	B2-U0-G1	10164	103	B2-U0-G1	10672	108	B2-U0-G1				
			III-M	9195	93	B2-U0-G2	9926	100	B2-U0-G2	10449	106	B2-U0-G2	10971	111	B2-U0-G2				
			III-W	8467	86	B2-U0-G2	9141	92	B2-U0-G2	9622	97	B2-U0-G2	10103	102	B2-U0-G2				
			IV	9170	93	B2-U0-G2	9899	100	B2-U0-G2	10421	105	B2-U0-G2	10941	111	B2-U0-G2				
			IV-FT	8215	83	B1-U0-G2	8868	90	B2-U0-G2	9335	94	B2-U0-G2	9802	99	B2-U0-G2				
			VSQ-N	9560	97	B3-U0-G1	10320	104	B3-U0-G1	10864	110	B3-U0-G1	11407	115	B3-U0-G1				
			VSQ-M	9466	96	B3-U0-G2	10219	103	B3-U0-G2	10757	109	B4-U0-G2	11295	114	B4-U0-G2				
			VSQ-W	9052	91	B4-U0-G2	9772	99	B4-U0-G2	10287	104	B4-U0-G2	10801	109	B4-U0-G2				
			II-HS	6647	67	B1-U0-G2	7175	72	B1-U0-G2	7553	76	B1-U0-G2	7931	80	B1-U0-G2				
			II-FR-HS	6724	68	B1-U0-G1	7258	73	B1-U0-G1	7640	77	B1-U0-G1	8022	81	B1-U0-G1				
			III-M-HS	6766	68	B1-U0-G2	7303	74	B1-U0-G2	7688	78	B1-U0-G2	8072	82	B1-U0-G2				
			III-W-HS	6567	66	B1-U0-G2	7089	72	B1-U0-G2	7462	75	B1-U0-G2	7835	79	B1-U0-G2				
			IV-HS	7038	71	B1-U0-G2	7597	77	B1-U0-G2	7997	81	B1-U0-G2	8397	85	B1-U0-G2				
			IV-FT-HS	6552	66	B1-U0-G2	7073	71	B1-U0-G2	7446	75	B1-U0-G2	7818	79	B1-U0-G2				

IES File downloads for this product can be found at [www.usaltg.com/downloads/asr.html](http://www.usaltg.com/downloads/asr.html)



## PHOTOMETRIC DATA GUIDE - LUMEN TABLES (MOZ26-PLED-NL)

MOZ26-PLED-NL																					
LED Count	Drive Current (mA)	System Watts	Dist'n Type	27K (2700K - 70CRI)			30K (3000K - 70CRI)			40K (4000K - 70CRI)			50K (5000K - 70CRI)			System Watts	TRA (590nm)				
				LUMENS	LPW	BUG RATING	LUMENS	LPW	BUG RATING	LUMENS	LPW	BUG RATING	LUMENS	LPW	BUG RATING		LUMENS	LPW	BUG RATING		
48	175	26.4	II	3085	117	B1-U0-G1	3331	126	B1-U0-G1	3506	133	B1-U0-G1	3681	139	B1-U0-G1	21.0	1262	60	B1-U0-G0		
			II-FR	3065	116	B1-U0-G1	3309	125	B1-U0-G1	3483	132	B1-U0-G1	3657	139	B1-U0-G1		1254	60	B0-U0-G0		
			III-M	3151	119	B1-U0-G1	3401	129	B1-U0-G1	3581	136	B1-U0-G1	3760	142	B1-U0-G1		1289	61	B0-U0-G0		
			III-W	2902	110	B1-U0-G1	3132	119	B1-U0-G1	3297	125	B1-U0-G1	3462	131	B1-U0-G1		1187	57	B0-U0-G1		
			IV	3143	119	B1-U0-G1	3392	128	B1-U0-G1	3571	135	B1-U0-G1	3749	142	B1-U0-G1		1285	61	B0-U0-G0		
			IV-FT	2815	107	B1-U0-G1	3039	115	B1-U0-G1	3199	121	B1-U0-G1	3359	127	B1-U0-G1		1152	55	B0-U0-G1		
			VSQ-N	3276	124	B2-U0-G0	3536	134	B2-U0-G1	3723	141	B2-U0-G1	3909	148	B2-U0-G1		1340	64	B1-U0-G0		
			VSQ-M	3244	123	B2-U0-G1	3502	133	B2-U0-G1	3686	140	B2-U0-G1	3870	147	B2-U0-G1		1327	63	B1-U0-G0		
			VSQ-W	3102	118	B2-U0-G1	3349	127	B3-U0-G1	3525	134	B3-U0-G1	3701	140	B3-U0-G1		1269	60	B1-U0-G1		
			II-HS	2278	86	B0-U0-G1	2459	93	B0-U0-G1	2589	98	B0-U0-G1	2719	103	B0-U0-G1		932	44	B0-U0-G0		
			II-FR-HS	2304	87	B0-U0-G0	2487	94	B0-U0-G0	2618	99	B0-U0-G0	2749	104	B0-U0-G0		943	45	B0-U0-G0		
			III-M-HS	2319	88	B0-U0-G1	2503	95	B0-U0-G1	2635	100	B0-U0-G1	2767	105	B0-U0-G1		948	45	B0-U0-G0		
			III-W-HS	2251	85	B0-U0-G1	2429	92	B0-U0-G1	2557	97	B0-U0-G1	2685	102	B0-U0-G1		921	44	B0-U0-G1		
			IV-HS	2411	91	B0-U0-G1	2603	99	B0-U0-G1	2741	104	B0-U0-G1	2878	109	B0-U0-G1		986	47	B0-U0-G0		
			IV-FT-HS	2245	85	B0-U0-G1	2424	92	B0-U0-G1	2552	97	B0-U0-G1	2679	101	B0-U0-G1		918	44	B0-U0-G1		
			48	350	52.8	II	5609	106	B2-U0-G1	6055	115	B2-U0-G1	6374	121	B2-U0-G2		6693	127	B2-U0-G2	40.7	2078
II-FR	5573	106				B1-U0-G1	6016	114	B1-U0-G1	6333	120	B2-U0-G1	6649	126	B2-U0-G1	2064	51	B1-U0-G0			
III-M	5729	108				B1-U0-G2	6184	117	B2-U0-G2	6510	123	B2-U0-G2	6835	129	B2-U0-G2	2122	52	B1-U0-G1			
III-W	5275	100				B1-U0-G2	5695	108	B1-U0-G2	5995	114	B1-U0-G2	6294	119	B1-U0-G2	1954	48	B1-U0-G1			
IV	5713	108				B1-U0-G2	6168	117	B2-U0-G2	6493	123	B2-U0-G2	6817	129	B2-U0-G2	2117	52	B1-U0-G1			
IV-FT	5118	97				B1-U0-G2	5525	105	B1-U0-G2	5817	110	B1-U0-G2	6107	116	B1-U0-G2	1896	47	B1-U0-G1			
VSQ-N	5956	113				B2-U0-G1	6430	122	B2-U0-G1	6769	128	B2-U0-G1	7107	135	B2-U0-G1	2207	54	B1-U0-G0			
VSQ-M	5898	112				B3-U0-G1	6367	121	B3-U0-G1	6702	127	B3-U0-G1	7037	133	B3-U0-G1	2185	54	B2-U0-G0			
VSQ-W	5640	107				B3-U0-G2	6088	115	B3-U0-G2	6409	121	B3-U0-G2	6729	127	B3-U0-G2	2089	51	B2-U0-G1			
II-HS	4142	78				B1-U0-G1	4471	85	B1-U0-G1	4706	89	B1-U0-G1	4941	94	B1-U0-G2	1634	38	B0-U0-G0			
II-FR-HS	4189	79				B0-U0-G1	4522	86	B0-U0-G1	4760	90	B0-U0-G1	4998	95	B1-U0-G1	1552	38	B0-U0-G0			
III-M-HS	4215	80				B0-U0-G2	4551	86	B0-U0-G2	4790	91	B0-U0-G2	5029	95	B0-U0-G2	1561	38	B0-U0-G1			
III-W-HS	4091	77				B0-U0-G2	4417	84	B0-U0-G2	4649	88	B0-U0-G2	4882	92	B0-U0-G2	1516	37	B0-U0-G1			
IV-HS	4385	83				B0-U0-G1	4733	90	B0-U0-G2	4983	94	B0-U0-G2	5232	99	B0-U0-G2	1624	40	B0-U0-G0			
IV-FT-HS	4082	77				B0-U0-G2	4407	83	B0-U0-G2	4639	88	B0-U0-G2	4871	92	B0-U0-G2	1512	37	B0-U0-G1			
	8077	102				B2-U0-G2	8720	110	B2-U0-G2	9179	116	B2-U0-G2	9638	122	B2-U0-G2	2442	40	B1-U0-G1			
48	525	79.2	II	8077	102	B2-U0-G2	8720	110	B2-U0-G2	9179	116	B2-U0-G2	9638	122	B2-U0-G2	61.0	2442	40	B1-U0-G1		
			II-FR	8025	101	B2-U0-G1	8663	109	B2-U0-G1	9119	115	B2-U0-G1	9575	121	B2-U0-G1		2426	40	B1-U0-G0		
			III-M	8249	104	B2-U0-G2	8905	112	B2-U0-G2	9374	118	B2-U0-G2	9843	124	B2-U0-G2		2494	41	B1-U0-G1		
			III-W	7596	96	B1-U0-G2	8201	104	B2-U0-G2	8632	109	B2-U0-G2	9064	114	B2-U0-G2		2296	38	B1-U0-G1		
			IV	8227	104	B2-U0-G2	8882	112	B2-U0-G2	9349	118	B2-U0-G2	9817	124	B2-U0-G2		2487	41	B1-U0-G1		
			IV-FT	7371	93	B1-U0-G2	7957	100	B1-U0-G2	8376	106	B2-U0-G2	8794	111	B2-U0-G2		2228	37	B1-U0-G1		
			VSQ-N	8577	108	B3-U0-G1	9259	117	B3-U0-G1	9747	123	B3-U0-G1	10234	129	B3-U0-G1		2593	43	B1-U0-G0		
			VSQ-M	8493	107	B3-U0-G2	9168	116	B3-U0-G2	9651	122	B3-U0-G2	10133	128	B3-U0-G2		2567	42	B2-U0-G1		
			VSQ-W	8121	103	B3-U0-G2	8767	111	B4-U0-G2	9229	117	B4-U0-G2	9690	122	B4-U0-G2		2455	40	B2-U0-G1		
			II-HS	5964	75	B1-U0-G2	6438	81	B1-U0-G2	6777	86	B1-U0-G2	7116	90	B1-U0-G2		1803	30	B0-U0-G1		
			II-FR-HS	6032	76	B1-U0-G1	6512	82	B1-U0-G1	6855	87	B1-U0-G1	7197	91	B1-U0-G1		1823	30	B0-U0-G0		
			III-M-HS	6070	77	B1-U0-G2	6553	83	B1-U0-G2	6898	87	B1-U0-G2	7243	91	B1-U0-G2		1835	30	B0-U0-G1		
			III-W-HS	5892	74	B1-U0-G2	6360	80	B1-U0-G2	6695	85	B1-U0-G2	7030	89	B1-U0-G2		1781	29	B0-U0-G1		
			IV-HS	6314	80	B1-U0-G2	6816	86	B1-U0-G2	7175	91	B1-U0-G2	7533	95	B1-U0-G2		1909	31	B0-U0-G1		
			IV-FT-HS	5878	74	B1-U0-G2	6346	80	B1-U0-G2	6680	84	B1-U0-G2	7014	89	B1-U0-G2		1777	29	B0-U0-G1		
			48	700	105.6	II	10243	97	B2-U0-G2	11057	105	B2-U0-G2	11639	110	B2-U0-G2		12221	116	B2-U0-G2	N/A	N/A
II-FR	10176	96				B2-U0-G1	10985	104	B2-U0-G1	11563	110	B2-U0-G1	12141	115	B2-U0-G1						
III-M	10461	99				B2-U0-G2	11293	107	B2-U0-G2	11887	113	B2-U0-G2	12481	118	B2-U0-G2						
III-W	9633	91				B2-U0-G2	10399	98	B2-U0-G2	10946	104	B2-U0-G2	11494	109	B2-U0-G2						
IV	10433	99				B2-U0-G2	11262	107	B2-U0-G2	11855	112	B2-U0-G2	12448	118	B2-U0-G2						
IV-FT	9346	89				B2-U0-G2	10090	96	B2-U0-G2	10621	101	B2-U0-G2	11152	106	B2-U0-G3						
VSQ-N	10876	103				B3-U0-G1	11741	111	B3-U0-G1	12359	117	B3-U0-G1	12977	123	B3-U0-G1						
VSQ-M	10769	102				B4-U0-G2	11626	110	B4-U0-G2	12238	116	B4-U0-G2	12850	122	B4-U0-G2						
VSQ-W	10298	98				B4-U0-G2	11117	105	B4-U0-G2	11703	111	B4-U0-G2	12287	116	B4-U0-G3						
II-HS	7562	72				B1-U0-G2	8164	77	B1-U0-G2	8594	81	B1-U0-G2	9023	85	B1-U0-G2						
II-FR-HS	7649	72				B1-U0-G1	8257	78	B1-U0-G1	8692	82	B1-U0-G1	9127	86	B1-U0-G1						
III-M-HS	7697	73				B1-U0-G2	8310	79	B1-U0-G2	8747	83	B1-U0-G2	9184	87	B1-U0-G2						
III-W-HS	7471	71				B1-U0-G2	8065	76	B1-U0-G2	8490	80	B1-U0-G2	8914	84	B1-U0-G2						
IV-HS	8006	76				B1-U0-G2	8643	82	B1-U0-G2	9098	86	B1-U0-G2	9553	90	B1-U0-G2						
IV-FT-HS	7454	71				B1-U0-G2	8047	76	B1-U0-G2	8471	80	B1-U0-G2	8894	84	B1-U0-G2						
48	875	132.0				II	12004	91	B2-U0-G2	12959	98	B2-U0-G2	13641	103	B2-U0-G2	14323	109	B3-U0-G2	N/A		
			II-FR	11926	90	B2-U0-G1	12874	98	B3-U0-G1	13552	103	B3-U0-G1	14229	108	B3-U0-G2						
			III-M	12260	93	B2-U0-G2	13235	100	B2-U0-G2	13931	106	B2-U0-G2	14628	111	B2-U0-G2						
			III-W	11289	86	B2-U0-G2	12187	92	B2-U0-G3	12829	97	B2-U0-G3	13470	102	B2-U0-G3						
			IV	12227	93	B2-U0-G2	13199	100	B2-U0-G2	13894	105	B2-U0-G2	14589	111	B2-U0-G2						
			IV-FT	10954	83	B2-U0-G3	11825	90	B2-U0-G3	12447	94	B2-U0-G3	13070	99	B2-U0-G3						
			VSQ-N	12746	97	B3-U0-G1	13760	104	B3-U0-G1	14485	110	B3-U0-G1	15209	115	B3-U0-G1						
			VSQ-M	12622	96	B4-U0-G2	13625	103	B4-U0-G2	14343	109	B4-U0-G2	15059	114	B4-U0-G2						
			VSQ-W	12070	91	B4-U0-G3	13030	99	B4-U0-G3	13715	104	B4-U0-G3	14401	109	B4-U0-G3						
			II-HS	8863	67	B1-U0-G2	9568	72	B1-U0-G2	10071	76	B1-U0-G2	10575	80	B1-U0-G2						
			II-FR-HS	8965	68	B1-U0-G1	9678	73	B1-U0-G1	10187	77	B1-U0-G1	10696	81	B1-U0-G1						
			III-M-HS	9021	68	B1-U0-G2	9738	74	B1-U0-G2	10251	78	B1-U0-G2	10763	82	B1-U0-G2						
			III-W-HS	8756	66	B1-U0-G2	9452	72	B1-U0-G2	9950	75	B1-U0-G3	10447	79	B1-U0-G3						
			IV-HS	9383	71	B1-U0-G2	10130	77	B1-U0-G2	10663	81	B1-U0-G2	11196	85	B1-U0-G2						
			IV-FT-HS	8736	66	B1-U0-G2	9431	71	B1-U0-G3	9927	75	B1-U0-G3	10423	79	B1-U0-G3						

IES File downloads for this product can be found at [www.usalgt.com/downloads/asr.html](http://www.usalgt.com/downloads/asr.html)

## PHOTOMETRIC DATA GUIDE - LUMEN TABLES (MOZ26-PLED-NL)

MOZ26-PLED-NL																																			
LED Count	Drive Current (mA)	System Watts	Dist'n Type	27K (2700K - 70CRI)			30K (3000K - 70CRI)			40K (4000K - 70CRI)			50K (5000K - 70CRI)			System Watts	TRA (590nm)																		
				LUMENS	LPW	BUG RATING	LUMENS	LPW	BUG RATING	LUMENS	LPW	BUG RATING	LUMENS	LPW	BUG RATING		LUMENS	LPW	BUG RATING																
80	175	44.0	II	4730	108	B1-U0-G1	5107	116	B1-U0-G1	5375	122	B1-U0-G1	5644	128	B2-U0-G1	34.0	1935	57	B1-U0-G1																
			80	350	88.0	II	8601	98	B2-U0-G2	9285	106	B2-U0-G2	9773	111	B2-U0-G2		10262	117	B2-U0-G2	67.0	3186	48	B1-U0-G1												
						80	525	132.0	II	12385	94	B2-U0-G2	13370	101	B2-U0-G2		14074	107	B3-U0-G2		14777	112	B3-U0-G2	101.0	3744	37	B1-U0-G1								
									80	700	174.0	II	15705	90	B3-U0-G3		16954	97	B3-U0-G3		17846	103	B3-U0-G3		18739	108	B3-U0-G3	N/A	N/A						
												80	875	220.0	II		18405	84	B3-U0-G3		19869	90	B3-U0-G3		20915	95	B3-U0-G3		21961	100	B3-U0-G3	N/A	N/A		

IES File downloads for this product can be found at [www.usaltg.com/downloads/asr.html](http://www.usaltg.com/downloads/asr.html)



# MOZ SERIES - PLED

## PHOTOMETRIC DATA GUIDE - LUMEN TABLES (MOZ20-PLED-CPA)

MOZ20-PLED-CPA																							
LED Count	Drive Current (mA)	System Watts	Dist'n Type	27K (2700K - 70CRI)			30K (3000K - 70CRI)			40K (4000K - 70CRI)			50K (5000K - 70CRI)			System Watts	TRA (590nm)						
				LUMENS	LPW	BUG RATING	LUMENS	LPW	BUG RATING	LUMENS	LPW	BUG RATING	LUMENS	LPW	BUG RATING		LUMENS	LPW	BUG RATING				
20	175	11.0	II	1196	109	B0-U2-G1	1291	117	B1-U2-G1	1359	124	B1-U2-G1	1427	130	B1-U2-G1	9.0	489	54	B0-U2-G0				
			II-FR	1187	108	B0-U2-G1	1280	116	B0-U2-G1	1348	123	B0-U2-G1	1416	129	B0-U3-G1		485	54	B0-U2-G0				
			III-M	1224	111	B0-U2-G1	1320	120	B0-U2-G1	1390	126	B1-U2-G1	1459	133	B1-U2-G1		500	56	B0-U2-G0				
			III-W	1128	103	B0-U2-G1	1217	111	B0-U2-G1	1281	116	B0-U2-G1	1344	122	B0-U2-G1		461	51	B0-U2-G1				
			IV	1220	111	B0-U2-G1	1316	120	B0-U2-G1	1386	126	B1-U2-G1	1455	132	B1-U2-G1		499	55	B0-U2-G0				
			IV-FT	1095	100	B0-U2-G1	1182	107	B0-U2-G1	1244	113	B0-U2-G1	1305	119	B0-U2-G1		448	50	B0-U2-G1				
			VSQ-N	1269	115	B1-U2-G1	1369	124	B1-U2-G1	1442	131	B1-U2-G1	1514	138	B1-U2-G1		519	58	B0-U2-G0				
			VSQ-M	1261	115	B1-U2-G1	1361	124	B1-U2-G1	1433	130	B1-U2-G1	1503	137	B1-U2-G1		515	57	B1-U2-G0				
			VSQ-W	1208	110	B1-U2-G1	1304	119	B1-U2-G1	1372	125	B1-U2-G1	1440	131	B1-U2-G1		494	55	B1-U1-G1				
			ASY	885	80	B0-U2-G1	955	87	B0-U2-G1	1004	91	B0-U2-G1	1054	96	B0-U2-G1		361	40	B0-U1-G0				
			II-FR-HS	893	81	B0-U2-G0	964	88	B0-U2-G0	1015	92	B0-U2-G0	1065	97	B0-U2-G1		365	41	B0-U2-G0				
			III-M-HS	900	82	B0-U2-G1	972	88	B0-U2-G1	1022	93	B0-U2-G1	1072	97	B0-U2-G1		368	41	B0-U1-G0				
			III-W-HS	875	80	B0-U2-G1	945	86	B0-U2-G1	994	90	B0-U2-G1	1042	95	B0-U2-G1		358	40	B0-U1-G1				
			IV-HS	936	85	B0-U2-G1	1010	92	B0-U2-G1	1063	97	B0-U2-G1	1115	101	B0-U2-G1		383	43	B0-U1-G0				
			IV-FT-HS	873	79	B0-U2-G1	943	86	B0-U2-G1	991	90	B0-U2-G1	1039	94	B0-U2-G1		356	40	B0-U1-G1				
			20	350	22.0	II	2174	99	B1-U3-G1	2347	107	B1-U3-G1	2470	112	B1-U3-G1		2593	118	B1-U3-G1	17.0	805	47	B0-U2-G1
						II-FR	2157	98	B1-U3-G1	2328	106	B1-U3-G1	2451	111	B1-U3-G1		2573	117	B1-U3-G1		799	47	B0-U2-G1
						III-M	2224	101	B1-U3-G1	2401	109	B1-U3-G1	2527	115	B1-U3-G1		2653	121	B1-U3-G1		824	48	B0-U2-G1
						III-W	2049	93	B1-U3-G1	2212	101	B1-U3-G1	2328	106	B1-U3-G1		2445	111	B1-U3-G1		759	45	B0-U2-G1
						IV	2217	101	B1-U3-G1	2393	109	B1-U3-G1	2519	115	B1-U3-G1		2645	120	B1-U3-G1		821	48	B0-U2-G1
IV-FT	1990	90				B1-U2-G1	2148	98	B1-U3-G1	2261	103	B1-U3-G1	2374	108	B1-U3-G1	737	43	B0-U2-G1					
VSQ-N	2308	105				B1-U3-G1	2491	113	B1-U3-G1	2622	119	B1-U3-G1	2753	125	B1-U3-G1	854	50	B1-U2-G0					
VSQ-M	2291	104				B2-U3-G1	2474	112	B2-U3-G1	2604	118	B2-U3-G1	2734	124	B2-U3-G1	848	50	B1-U2-G1					
VSQ-W	2195	100				B2-U2-G1	2370	108	B2-U2-G1	2494	113	B2-U2-G1	2619	119	B2-U2-G1	814	48	B1-U2-G1					
II-HS	1607	73				B0-U2-G1	1734	79	B0-U2-G1	1826	83	B0-U2-G1	1917	87	B0-U2-G1	595	35	B0-U2-G0					
II-FR-HS	1623	74				B0-U3-G1	1752	80	B0-U3-G1	1844	84	B0-U3-G1	1936	88	B0-U3-G1	602	35	B0-U2-G0					
III-M-HS	1635	74				B0-U2-G1	1765	80	B0-U2-G1	1858	84	B0-U2-G1	1951	89	B0-U2-G1	606	36	B0-U2-G0					
III-W-HS	1590	72				B0-U2-G1	1716	78	B0-U2-G1	1807	82	B0-U2-G1	1897	86	B0-U2-G1	589	35	B0-U2-G1					
IV-HS	1701	77				B0-U2-G1	1836	83	B0-U2-G1	1932	88	B0-U2-G1	2029	92	B0-U2-G1	630	37	B0-U2-G0					
IV-FT-HS	1585	72				B0-U2-G1	1712	78	B0-U2-G1	1802	82	B0-U2-G1	1891	86	B0-U2-G1	588	35	B0-U2-G1					
20	525	33.0				II	3130	95	B1-U3-G1	3379	102	B1-U3-G1	3557	108	B1-U3-G1	3735	113	B1-U3-G1	25.0		946	38	B0-U2-G1
						II-FR	3106	94	B1-U3-G1	3353	102	B1-U3-G1	3529	107	B1-U3-G1	3706	112	B1-U3-G1			939	38	B0-U2-G1
						III-M	3202	97	B1-U3-G1	3457	105	B1-U3-G1	3639	110	B1-U3-G1	3821	116	B1-U3-G1			967	39	B0-U2-G1
						III-W	2950	89	B1-U3-G2	3185	97	B1-U3-G2	3352	102	B1-U3-G2	3520	107	B1-U3-G2			891	36	B0-U2-G1
						IV	3192	97	B1-U3-G1	3446	104	B1-U3-G1	3628	110	B1-U3-G1	3809	115	B1-U3-G1			965	39	B0-U2-G1
			IV-FT	2865	87	B1-U3-G2	3093	94	B1-U3-G2	3256	99	B1-U3-G2	3418	104	B1-U3-G2	866	35	B0-U2-G1					
			VSQ-N	3323	101	B1-U3-G1	3588	109	B2-U3-G1	3776	114	B2-U3-G1	3965	120	B2-U3-G1	1004	40	B1-U2-G1					
			VSQ-M	3299	100	B2-U3-G1	3561	108	B2-U3-G1	3749	114	B2-U3-G1	3936	119	B2-U3-G1	997	40	B1-U2-G1					
			VSQ-W	3163	96	B2-U3-G2	3414	103	B2-U3-G2	3594	109	B2-U3-G2	3773	114	B3-U3-G2	956	38	B1-U2-G1					
			II-HS	2313	70	B0-U3-G1	2497	76	B1-U3-G1	2629	80	B1-U3-G1	2760	84	B1-U3-G1	699	28	B0-U2-G0					
			II-FR-HS	2337	71	B0-U3-G1	2523	76	B0-U3-G1	2656	80	B0-U3-G1	2789	85	B0-U3-G1	706	28	B0-U2-G0					
			III-M-HS	2355	71	B0-U3-G1	2542	77	B0-U3-G1	2676	81	B0-U3-G1	2809	85	B0-U3-G1	712	28	B0-U2-G1					
			III-W-HS	2289	69	B0-U2-G1	2471	75	B0-U2-G1	2601	79	B0-U3-G1	2731	83	B1-U3-G1	692	28	B0-U2-G1					
			IV-HS	2449	74	B0-U3-G1	2643	80	B0-U3-G1	2782	84	B0-U3-G1	2921	89	B0-U3-G1	740	30	B0-U2-G0					
			IV-FT-HS	2284	69	B0-U2-G1	2465	75	B0-U2-G1	2595	79	B1-U2-G1	2724	83	B1-U3-G1	690	28	B0-U2-G1					
			20	700	44.0	II	3969	90	B1-U3-G1	4285	97	B1-U3-G1	4511	103	B1-U3-G1	4736	108	B1-U3-G1		N/A	N/A		
						II-FR	3939	90	B1-U3-G1	4252	97	B1-U3-G1	4476	102	B1-U3-G1	4699	107	B1-U3-G1					
						III-M	4061	92	B1-U3-G1	4384	100	B1-U3-G1	4615	105	B1-U3-G1	4845	110	B1-U3-G1					
						III-W	3741	85	B1-U3-G2	4038	92	B1-U3-G2	4251	97	B1-U3-G2	4464	101	B1-U3-G2					
						IV	4048	92	B1-U3-G1	4370	99	B1-U3-G1	4600	105	B1-U3-G1	4830	110	B1-U3-G1					
IV-FT	3632	83				B1-U3-G2	3921	89	B1-U3-G2	4127	94	B1-U3-G2	4334	98	B1-U3-G2								
VSQ-N	4213	96				B2-U3-G1	4548	103	B2-U3-G1	4787	109	B2-U3-G1	5027	114	B2-U3-G1								
VSQ-M	4183	95				B2-U3-G1	4516	103	B3-U3-G1	4754	108	B3-U3-G1	4992	113	B3-U3-G1								
VSQ-W	4010	91				B3-U3-G2	4329	98	B3-U3-G2	4557	104	B3-U3-G2	4785	109	B3-U3-G2								
II-HS	2933	67				B1-U3-G1	3166	72	B1-U3-G1	3333	76	B1-U3-G1	3499	80	B1-U3-G1								
II-FR-HS	2964	67				B0-U3-G1	3200	73	B0-U3-G1	3368	77	B1-U3-G1	3536	80	B1-U3-G1								
III-M-HS	2985	68				B1-U3-G1	3222	73	B1-U3-G1	3392	77	B1-U3-G1	3561	81	B1-U3-G1								
III-W-HS	2903	66				B1-U3-G2	3133	71	B1-U3-G2	3298	75	B1-U3-G2	3463	79	B1-U3-G2								
IV-HS	3105	71				B1-U3-G1	3352	76	B1-U3-G1	3528	80	B1-U3-G1	3705	84	B1-U3-G1								
IV-FT-HS	2895	66				B1-U3-G2	3125	71	B1-U3-G2	3290	75	B1-U3-G2	3454	79	B1-U3-G2								
20	875	55.0				II	4652	85	B1-U3-G1	5022	91	B1-U3-G1	5286	96	B1-U3-G1	5550	101	B1-U3-G1	N/A			N/A	
						II-FR	4616	84	B1-U3-G1	4983	91	B1-U3-G1	5246	95	B1-U3-G1	5508	100	B1-U3-G1					
						III-M	4759	87	B1-U3-G1	5138	93	B1-U3-G1	5408	98	B1-U3-G1	5678	103	B1-U3-G1					
						III-W	4384	80	B1-U3-G2	4733	86	B1-U3-G2	4982	91	B1-U3-G2	5231	95	B1-U3-G2					
						IV	4745	86	B1-U3-G1	5122	93	B1-U3-G1	5391	98	B1-U3-G1	5661	103	B1-U3-G1					
			IV-FT	4258	77	B1-U3-G2	4596	84	B1-U3-G2	4838	88	B1-U3-G2	5080	92	B1-U3-G2								
			VSQ-N	4938	90	B2-U3-G1	5331	97	B2-U3-G1	5611	102	B2-U3-G1	5892	107	B2-U3-G1								
			VSQ-M	4903	89	B3-U3-G1	5293	96	B3-U3-G1	5571	101	B3-U3-G1	5849	106	B3-U3-G1								
			VSQ-W	4700	85	B3-U3-G2	5072	92	B3-U3-G2	5340	97	B3-U3-G2	5607	102	B3-U3-G2								
			II-HS	3437	62	B1-U3-G1	3711	67	B1-U3-G1	3906	71	B1-U3-G1	4101	75	B1-U3-G1								
			II-FR-HS	3474	63	B1-U3-G1	3750	68	B1-U3-G1	3947	72	B1-U3-G1	4144	75	B1-U3-G1								
			III-M-HS	3498	64	B1-U3-G1	3777	69	B1-U3-G1	3975	72	B1-U3-G1	4174	76	B1-U3-G1								
			III-W-HS	3401	62	B1-U3-G2	3672	67	B1-U3-G2	3865	70	B1-U3-G2	4058	74	B1-U3-G2								
			IV-HS	3639	66	B1-U3-G1	3928	71	B1-U3-G1	4135	75	B1-U3-G1	4341	79	B1-U3-G1								
IV-FT-HS	3393	62	B1-U3-G2	3663	67	B1-U3-G2	3855	70	B1-U3-G2	4048	74	B1-U3-G2											

IES File downloads for this product can be found at [www.usaltg.com/downloads/asr.html](http://www.usaltg.com/downloads/asr.html)

## PHOTOMETRIC DATA GUIDE - LUMEN TABLES (MOZ20-PLED-CPA)

MOZ20-PLED-CPA																					
LED Count	Drive Current (mA)	System Watts	Dist'n Type	27K (2700K - 70CRI)			30K (3000K - 70CRI)			40K (4000K - 70CRI)			50K (5000K - 70CRI)			System Watts	TRA (590nm)				
				LUMENS	LPW	BUG RATING	LUMENS	LPW	BUG RATING	LUMENS	LPW	BUG RATING	LUMENS	LPW	BUG RATING		LUMENS	LPW	BUG RATING		
36	175	19.8	II	2153	109	B1-U3-G1	2323	117	B1-U3-G1	2446	124	B1-U3-G1	2567	130	B1-U3-G1	880	55	B0-U2-G1			
			II-FR	2135	108	B1-U3-G1	2305	116	B1-U3-G1	2426	123	B1-U3-G1	2547	129	B1-U3-G1	873	55	B0-U2-G0			
			III-M	2202	111	B1-U3-G1	2377	120	B1-U3-G1	2502	126	B1-U3-G1	2627	133	B1-U3-G1	901	56	B0-U2-G1			
			III-W	2029	102	B1-U3-G1	2190	111	B1-U3-G1	2306	116	B1-U3-G1	2421	122	B1-U3-G1	830	52	B0-U2-G1			
			IV	2195	111	B1-U3-G1	2370	120	B1-U3-G1	2494	126	B1-U3-G1	2618	132	B1-U3-G1	898	56	B0-U2-G1			
			IV-FT	1970	99	B1-U2-G1	2126	107	B1-U3-G1	2238	113	B1-U3-G1	2350	119	B1-U3-G1	806	50	B0-U2-G1			
			VSQ-N	2286	115	B1-U3-G1	2467	125	B1-U3-G1	2597	131	B1-U3-G1	2726	138	B1-U3-G1	934	58	B1-U2-G0			
			VSQ-M	2268	115	B2-U3-G1	2449	124	B2-U3-G1	2578	130	B2-U3-G1	2706	137	B2-U3-G1	928	58	B1-U2-G1			
			VSQ-W	2173	110	B2-U2-G1	2346	119	B2-U2-G1	2470	125	B2-U2-G1	2593	131	B2-U2-G1	889	56	B1-U2-G1			
			II-HS	1591	80	B0-U2-G1	1716	87	B0-U2-G1	1807	91	B0-U2-G1	1897	96	B0-U2-G1	650	41	B0-U2-G0			
			II-FR-HS	1607	81	B0-U3-G1	1735	88	B0-U3-G1	1826	92	B0-U3-G1	1917	97	B0-U3-G1	657	41	B0-U2-G0			
			III-M-HS	1619	82	B0-U2-G1	1747	88	B0-U2-G1	1839	93	B0-U2-G1	1931	98	B0-U2-G1	662	41	B0-U2-G0			
			III-W-HS	1574	79	B0-U2-G1	1699	86	B0-U2-G1	1788	90	B0-U2-G1	1877	95	B0-U2-G1	644	40	B0-U2-G1			
			IV-HS	1684	85	B0-U2-G1	1817	92	B0-U2-G1	1913	97	B0-U2-G1	2009	101	B0-U2-G1	688	43	B0-U2-G0			
			IV-FT-HS	1570	79	B0-U2-G1	1694	86	B0-U2-G1	1784	90	B0-U2-G1	1872	95	B0-U2-G1	642	40	B0-U2-G1			
			36	350	39.6	II	3913	99	B1-U3-G1	4224	107	B1-U3-G1	4446	112	B1-U3-G1	4668	118	B1-U3-G1	1449	48	B1-U2-G1
						II-FR	3882	98	B1-U3-G1	4191	106	B1-U3-G1	4411	111	B1-U3-G1	4631	117	B1-U3-G1	1438	47	B0-U3-G1
						III-M	4003	101	B1-U3-G1	4322	109	B1-U3-G1	4549	115	B1-U3-G1	4776	121	B1-U3-G1	1483	49	B1-U2-G1
						III-W	3687	93	B1-U3-G2	3981	101	B1-U3-G2	4191	106	B1-U3-G2	4399	111	B1-U3-G2	1366	45	B0-U2-G1
						IV	3990	101	B1-U3-G1	4308	109	B1-U3-G1	4534	115	B1-U3-G1	4761	120	B1-U3-G1	1478	48	B1-U2-G1
IV-FT	3581	90				B1-U3-G2	3865	98	B1-U3-G2	4069	103	B1-U3-G2	4272	108	B1-U3-G2	1326	43	B0-U2-G1			
VSQ-N	4154	105				B2-U3-G1	4484	113	B2-U3-G1	4720	119	B2-U3-G1	4956	125	B2-U3-G1	1539	50	B1-U2-G1			
VSQ-M	4122	104				B2-U3-G1	4451	112	B3-U3-G1	4685	118	B3-U3-G1	4919	124	B3-U3-G1	1527	50	B1-U2-G1			
VSQ-W	3952	100				B3-U3-G2	4266	108	B3-U3-G2	4490	113	B3-U3-G2	4714	119	B3-U3-G2	1464	48	B1-U2-G1			
II-HS	2891	73				B1-U3-G1	3121	79	B1-U3-G1	3285	83	B1-U3-G1	3449	87	B1-U3-G1	1071	35	B0-U2-G1			
II-FR-HS	2921	74				B0-U3-G1	3153	80	B0-U3-G1	3319	84	B0-U3-G1	3484	88	B1-U3-G1	1082	35	B0-U2-G1			
III-M-HS	2943	74				B1-U3-G1	3177	80	B1-U3-G1	3344	84	B1-U3-G1	3511	89	B1-U3-G1	1090	36	B0-U2-G1			
III-W-HS	2861	72				B1-U3-G2	3088	78	B1-U3-G2	3251	82	B1-U3-G2	3413	86	B1-U3-G2	1060	35	B0-U2-G1			
IV-HS	3061	77				B1-U3-G1	3304	83	B1-U3-G1	3478	88	B1-U3-G1	3651	92	B1-U3-G1	1134	37	B0-U2-G1			
IV-FT-HS	2854	72				B1-U3-G1	3080	78	B1-U3-G2	3242	82	B1-U3-G2	3404	86	B1-U3-G2	1057	35	B0-U2-G1			
36	525	59.4				II	5634	95	B1-U3-G1	6082	102	B2-U3-G1	6402	108	B2-U3-G2	6721	113	B2-U3-G2	1703	37	B1-U2-G1
						II-FR	5590	94	B1-U3-G1	6035	102	B1-U3-G1	6352	107	B1-U3-G1	6670	112	B1-U3-G1	1690	37	B1-U3-G1
						III-M	5764	97	B1-U3-G1	6222	105	B1-U3-G2	6550	110	B2-U3-G2	6877	116	B2-U3-G2	1742	38	B1-U2-G1
						III-W	5310	89	B1-U3-G2	5732	97	B1-U3-G2	6034	102	B1-U3-G2	6335	107	B1-U3-G2	1605	35	B0-U2-G1
						IV	5746	97	B1-U3-G1	6202	104	B2-U3-G2	6529	110	B2-U3-G2	6855	115	B2-U3-G2	1737	38	B1-U2-G1
			IV-FT	5156	87	B1-U3-G2	5566	94	B1-U3-G2	5859	99	B1-U3-G2	6152	104	B1-U3-G2	1559	34	B0-U2-G1			
			VSQ-N	5980	101	B2-U3-G1	6456	109	B2-U3-G1	6796	114	B2-U3-G1	7135	120	B2-U3-G1	1807	40	B1-U3-G1			
			VSQ-M	5938	100	B3-U3-G1	6409	108	B3-U3-G1	6747	114	B3-U3-G1	7084	119	B3-U3-G1	1794	39	B1-U2-G1			
			VSQ-W	5691	96	B3-U3-G2	6144	103	B3-U3-G2	6467	109	B3-U3-G3	6790	114	B3-U3-G3	1720	38	B1-U2-G1			
			II-HS	4163	70	B1-U3-G1	4494	76	B1-U3-G1	4730	80	B1-U3-G1	4966	84	B1-U3-G1	1258	28	B0-U2-G1			
			II-FR-HS	4207	71	B1-U3-G1	4541	76	B1-U3-G1	4780	80	B1-U3-G1	5019	84	B1-U3-G1	1272	28	B0-U2-G1			
			III-M-HS	4237	71	B1-U3-G1	4574	77	B1-U3-G1	4815	81	B1-U3-G2	5055	85	B1-U3-G2	1281	28	B0-U2-G1			
			III-W-HS	4120	69	B1-U3-G2	4448	75	B1-U3-G2	4682	79	B1-U3-G2	4916	83	B1-U3-G2	1246	27	B0-U2-G1			
			IV-HS	4407	74	B1-U3-G1	4757	80	B1-U3-G1	5007	84	B1-U3-G2	5257	89	B1-U3-G2	1332	29	B0-U2-G1			
			IV-FT-HS	4109	69	B1-U3-G2	4436	75	B1-U3-G2	4669	79	B1-U3-G2	4902	83	B1-U3-G2	1242	27	B0-U2-G1			
			36	700	79.2	II	7144	90	B2-U3-G2	7712	97	B2-U3-G2	8118	103	B2-U3-G2	8524	108	B2-U3-G2	N/A	N/A	N/A
						II-FR	7089	90	B2-U3-G1	7653	97	B2-U3-G1	8056	102	B2-U3-G1	8458	107	B2-U3-G1	N/A	N/A	N/A
						III-M	7309	92	B2-U3-G2	7890	100	B2-U3-G2	8306	105	B2-U3-G2	8721	110	B2-U3-G2	N/A	N/A	N/A
						III-W	6733	85	B1-U3-G3	7269	92	B1-U3-G3	7651	97	B1-U3-G3	8033	101	B1-U3-G3	N/A	N/A	N/A
						IV	7286	92	B2-U3-G2	7865	99	B2-U3-G2	8279	105	B2-U3-G2	8693	110	B2-U3-G2	N/A	N/A	N/A
IV-FT	6538	83				B1-U3-G3	7058	89	B1-U3-G3	7430	94	B1-U3-G3	7800	98	B1-U3-G3	N/A	N/A	N/A			
VSQ-N	7583	96				B2-U3-G1	8185	103	B2-U3-G1	8617	109	B3-U3-G1	9048	114	B3-U3-G1	N/A	N/A	N/A			
VSQ-M	7530	95				B3-U3-G1	8129	103	B3-U3-G2	8557	108	B3-U3-G2	8984	113	B3-U3-G2	N/A	N/A	N/A			
VSQ-W	7217	91				B3-U3-G3	7791	98	B3-U3-G3	8201	104	B3-U3-G3	8611	109	B3-U3-G3	N/A	N/A	N/A			
II-HS	5279	67				B1-U3-G2	5698	72	B1-U3-G2	5999	76	B1-U3-G2	6298	80	B1-U3-G2	N/A	N/A	N/A			
II-FR-HS	5335	67				B1-U3-G1	5759	73	B1-U3-G1	6062	77	B1-U3-G1	6365	80	B1-U3-G1	N/A	N/A	N/A			
III-M-HS	5373	68				B1-U3-G2	5800	73	B1-U3-G2	6105	77	B1-U3-G2	6410	81	B1-U3-G2	N/A	N/A	N/A			
III-W-HS	5224	66				B1-U3-G2	5640	71	B1-U3-G2	5936	75	B1-U3-G2	6233	79	B1-U3-G3	N/A	N/A	N/A			
IV-HS	5588	71				B1-U3-G2	6032	76	B1-U3-G2	6350	80	B1-U3-G2	6667	84	B1-U3-G2	N/A	N/A	N/A			
IV-FT-HS	5211	66				B1-U3-G2	5625	71	B1-U3-G2	5921	75	B1-U3-G2	6217	78	B1-U3-G2	N/A	N/A	N/A			
36	875	99.0				II	8373	85	B2-U3-G2	9038	91	B2-U3-G2	9515	96	B2-U3-G2	9990	101	B2-U3-G2	N/A	N/A	N/A
						II-FR	8308	84	B2-U3-G1	8969	91	B2-U3-G2	9441	95	B2-U3-G2	9913	100	B2-U3-G2	N/A	N/A	N/A
						III-M	8566	87	B2-U3-G2	9247	93	B2-U3-G2	9734	98	B2-U3-G2	10221	103	B2-U3-G2	N/A	N/A	N/A
						III-W	7891	80	B1-U3-G3	8518	86	B2-U3-G3	8967	91	B2-U3-G3	9415	95	B2-U3-G3	N/A	N/A	N/A
						IV	8539	86	B2-U3-G2	9218	93	B2-U3-G2	9704	98	B2-U3-G2	10189	103	B2-U3-G2	N/A	N/A	N/A
			IV-FT	7663	77	B1-U3-G3	8271	84	B1-U3-G3	8707	88	B2-U3-G3	9142	92	B2-U3-G3	N/A	N/A	N/A			
			VSQ-N	8888	90	B3-U3-G1	9594	97	B3-U3-G1	10100	102	B3-U3-G2	10604	107	B3-U3-G2	N/A	N/A	N/A			
			VSQ-M	8824	89	B3-U3-G2	9526	96	B3-U3-G2	10027	101	B3-U3-G2	10527	106	B3-U3-G2	N/A	N/A	N/A			
			VSQ-W	8457	85	B3-U3-G3	9129	92	B4-U3-G3	9610	97	B4-U3-G3	10090	102	B4-U3-G3	N/A	N/A	N/A			
			II-HS	6187	62	B1-U3-G2	6679	67	B1-U3-G2	7030	71	B1-U3-G2	7381	75	B1-U3-G2	N/A	N/A	N/A			
			II-FR-HS	6252	63	B1-U3-G1	6749	68	B1-U3-G1	7104	72	B1-U3-G1	7459	75	B1-U3-G1	N/A	N/A	N/A			
			III-M-HS	6297	64	B1-U3-G2	6797	69	B1-U3-G2	7155	72	B1-U3-G2	7513	76	B1-U3-G2	N/A	N/A	N/A			
			III-W-HS	6122	62	B1-U3-G2	6609	67	B1-U3-G3	6957	70	B1-U3-G3	7304	74	B1-U3-G3	N/A	N/A	N/A			
			IV-HS	6549	66	B1-U3-G2	706														



## PHOTOMETRIC DATA GUIDE - LUMEN TABLES (MOZ20-PLED-CPA)

MOZ20-PLED-CPA																			
LED Count	Drive Current (mA)	System Watts	Dist'n Type	27K (2700K - 70CRI)			30K (3000K - 70CRI)			40K (4000K - 70CRI)			50K (5000K - 70CRI)			System Watts	TRA (590nm)		
				LUMENS	LPW	BUG RATING	LUMENS	LPW	BUG RATING	LUMENS	LPW	BUG RATING	LUMENS	LPW	BUG RATING		LUMENS	LPW	BUG RATING
48	175	26.4	II	2640	100	B1-U3-G1	2849	108	B1-U3-G1	3000	114	B1-U3-G1	3149	119	B1-U3-G1	21.0	1080	51	B0-U2-G1
			II-FR	2620	99	B1-U3-G1	2828	107	B1-U3-G1	2977	113	B1-U3-G1	3125	118	B1-U3-G1		1071	51	B0-U2-G1
			III-M	2701	102	B1-U3-G1	2915	110	B1-U3-G1	3069	116	B1-U3-G1	3222	122	B1-U3-G1		1105	53	B0-U2-G1
			III-W	2488	94	B1-U3-G1	2686	102	B1-U3-G1	2827	107	B1-U3-G1	2968	112	B1-U3-G2		1017	48	B0-U2-G1
			IV	2693	102	B1-U3-G1	2906	110	B1-U3-G1	3059	116	B1-U3-G1	3212	122	B1-U3-G1		1101	52	B0-U2-G1
			IV-FT	2416	92	B1-U3-G1	2608	99	B1-U3-G1	2745	104	B1-U3-G1	2882	109	B1-U3-G2		988	47	B0-U2-G1
			VSQ-N	2802	106	B1-U3-G1	3026	115	B1-U3-G1	3185	121	B1-U3-G1	3344	127	B1-U3-G1		1146	55	B1-U2-G1
			VSQ-M	2782	105	B2-U3-G1	3004	114	B2-U3-G1	3161	120	B2-U3-G1	3319	126	B2-U3-G1		1137	54	B1-U2-G1
			VSQ-W	2668	101	B2-U2-G1	2879	109	B2-U3-G2	3031	115	B2-U3-G2	3182	121	B2-U3-G2		1091	52	B1-U2-G1
			II-HS	1951	74	B0-U2-G1	2106	80	B0-U3-G1	2217	84	B0-U3-G1	2327	88	B1-U3-G1		798	38	B0-U2-G1
			II-FR-HS	1971	75	B0-U3-G1	2128	81	B0-U3-G1	2240	85	B0-U3-G1	2352	89	B0-U3-G1		806	38	B0-U2-G0
			III-M-HS	1986	75	B0-U2-G1	2144	81	B0-U2-G1	2256	85	B0-U3-G1	2369	90	B0-U3-G1		812	39	B0-U2-G1
			III-W-HS	1930	73	B0-U2-G1	2083	79	B0-U2-G1	2193	83	B0-U2-G1	2303	87	B0-U2-G1		790	38	B0-U2-G1
			IV-HS	2066	78	B0-U2-G1	2230	84	B0-U3-G1	2347	89	B0-U3-G1	2463	93	B0-U3-G1		844	40	B0-U2-G1
			IV-FT-HS	1926	73	B0-U2-G1	2079	79	B0-U2-G1	2188	83	B0-U2-G1	2297	87	B0-U2-G1		787	37	B0-U2-G1
			48	350	52.8	II	4799	91	B1-U3-G1	5180	98	B1-U3-G1	5453	103	B1-U3-G1		5725	108	B1-U3-G1
II-FR	4762	90				B1-U3-G1	5141	97	B1-U3-G1	5412	102	B1-U3-G1	5682	108	B1-U3-G1	1764	43	B1-U3-G1	
III-M	4910	93				B1-U3-G1	5300	100	B1-U3-G1	5579	106	B1-U3-G1	5858	111	B1-U3-G1	1819	45	B1-U2-G1	
III-W	4523	86				B1-U3-G2	4883	92	B1-U3-G2	5140	97	B1-U3-G2	5396	102	B1-U3-G2	1675	41	B0-U2-G1	
IV	4894	93				B1-U3-G1	5284	100	B1-U3-G1	5562	105	B1-U3-G1	5839	111	B1-U3-G1	1813	45	B1-U2-G1	
IV-FT	4392	83				B1-U3-G2	4742	90	B1-U3-G2	4991	95	B1-U3-G2	5240	99	B1-U3-G2	1627	40	B0-U2-G1	
VSQ-N	5094	96				B2-U3-G1	5500	104	B2-U3-G1	5789	110	B2-U3-G1	6078	115	B2-U3-G1	1887	46	B1-U3-G1	
VSQ-M	5059	96				B3-U3-G1	5461	103	B3-U3-G1	5748	109	B3-U3-G1	6035	114	B3-U3-G1	1874	46	B1-U2-G1	
VSQ-W	4848	92				B3-U3-G2	5234	99	B3-U3-G2	5509	104	B3-U3-G2	5784	110	B3-U3-G2	1796	44	B1-U2-G1	
II-HS	3546	67				B1-U3-G1	3828	73	B1-U3-G1	4030	76	B1-U3-G1	4231	80	B1-U3-G1	1313	32	B0-U2-G1	
II-FR-HS	3584	68				B1-U3-G1	3869	73	B1-U3-G1	4073	77	B1-U3-G1	4276	81	B1-U3-G1	1327	33	B0-U2-G1	
III-M-HS	3610	68				B1-U3-G1	3897	74	B1-U3-G1	4102	78	B1-U3-G1	4307	82	B1-U3-G1	1337	33	B0-U2-G1	
III-W-HS	3510	66				B1-U3-G2	3789	72	B1-U3-G2	3988	76	B1-U3-G2	4187	79	B1-U3-G2	1300	32	B0-U2-G1	
IV-HS	3754	71				B1-U3-G1	4053	77	B1-U3-G1	4266	81	B1-U3-G1	4479	85	B1-U3-G1	1391	34	B0-U2-G1	
IV-FT-HS	3500	66				B1-U3-G2	3779	72	B1-U3-G2	3978	75	B1-U3-G2	4176	79	B1-U3-G2	1297	32	B0-U2-G1	
48	525	79.2				II	6911	87	B2-U3-G2	7460	94	B2-U3-G2	7853	99	B2-U3-G2	8245	104	B2-U3-G2	61.0
			II-FR	6858	87	B1-U3-G1	7403	93	B2-U3-G1	7793	98	B2-U3-G1	8183	103	B2-U3-G1	2073	34	B1-U3-G1	
			III-M	7071	89	B2-U3-G2	7632	96	B2-U3-G2	8035	101	B2-U3-G2	8436	107	B2-U3-G2	2137	35	B1-U3-G1	
			III-W	6513	82	B1-U3-G3	7031	89	B1-U3-G3	7401	93	B1-U3-G3	7771	98	B1-U3-G3	1968	32	B1-U2-G1	
			IV	7048	89	B2-U3-G2	7608	96	B2-U3-G2	8009	101	B2-U3-G2	8409	106	B2-U3-G2	2130	35	B1-U3-G1	
			IV-FT	6325	80	B1-U3-G3	6828	86	B1-U3-G3	7187	91	B1-U3-G3	7546	95	B1-U3-G3	1911	31	B1-U2-G1	
			VSQ-N	7337	93	B2-U3-G1	7920	100	B2-U3-G1	8338	105	B2-U3-G1	8755	111	B3-U3-G1	2217	36	B1-U3-G1	
			VSQ-M	7283	92	B3-U3-G1	7863	99	B3-U3-G1	8276	105	B3-U3-G2	8690	110	B3-U3-G2	2201	36	B2-U2-G1	
			VSQ-W	6980	88	B3-U3-G3	7535	95	B3-U3-G3	7932	100	B3-U3-G3	8328	105	B3-U3-G3	2110	35	B2-U2-G1	
			II-HS	5106	64	B1-U3-G1	5512	70	B1-U3-G2	5803	73	B1-U3-G2	6093	77	B1-U3-G2	1543	25	B0-U2-G1	
			II-FR-HS	5161	65	B1-U3-G1	5571	70	B1-U3-G1	5864	74	B1-U3-G1	6158	78	B1-U3-G1	1560	26	B0-U3-G1	
			III-M-HS	5197	66	B1-U3-G2	5611	71	B1-U3-G2	5906	75	B1-U3-G2	6201	78	B1-U3-G2	1571	26	B0-U2-G1	
			III-W-HS	5054	64	B1-U3-G2	5456	69	B1-U3-G2	5743	73	B1-U3-G2	6030	76	B1-U3-G2	1528	25	B0-U2-G1	
			IV-HS	5405	68	B1-U3-G2	5835	74	B1-U3-G2	6142	78	B1-U3-G2	6449	81	B1-U3-G2	1634	27	B0-U2-G1	
			IV-FT-HS	5040	64	B1-U3-G2	5441	69	B1-U3-G2	5728	72	B1-U3-G2	6014	76	B1-U3-G2	1524	25	B0-U2-G1	
			48	700	105.6	II	8764	83	B2-U3-G2	9460	90	B2-U3-G2	9958	94	B2-U3-G2	10456	99	B2-U3-G2	
II-FR	8696	82				B2-U3-G1	9388	89	B2-U3-G2	9882	94	B2-U3-G2	10376	98	B2-U3-G2				
III-M	8966	85				B2-U3-G2	9678	92	B2-U3-G2	10188	96	B2-U3-G2	10697	101	B2-U3-G2				
III-W	8260	78				B2-U3-G3	8916	84	B2-U3-G3	9386	89	B2-U3-G3	9855	93	B2-U3-G3				
IV	8937	85				B2-U3-G2	9648	91	B2-U3-G2	10156	96	B2-U3-G2	10664	101	B2-U3-G2				
IV-FT	8020	76				B1-U3-G3	8657	82	B2-U3-G3	9113	86	B2-U3-G3	9569	91	B2-U3-G3				
VSQ-N	9302	88				B3-U3-G1	10041	95	B3-U3-G2	10570	100	B3-U3-G2	11099	105	B3-U3-G2				
VSQ-M	9237	87				B3-U3-G2	9971	94	B3-U3-G2	10496	99	B3-U3-G2	11020	104	B4-U3-G2				
VSQ-W	8853	84				B3-U3-G3	9557	91	B4-U3-G3	10060	95	B4-U3-G3	10562	100	B4-U3-G3				
II-HS	6475	61				B1-U3-G2	6990	66	B1-U3-G2	7358	70	B1-U3-G2	7725	73	B1-U3-G2				
II-FR-HS	6544	62				B1-U3-G1	7065	67	B1-U3-G1	7436	70	B1-U3-G1	7807	74	B1-U3-G1				
III-M-HS	6591	62				B1-U3-G2	7115	67	B1-U3-G2	7490	71	B1-U3-G2	7864	74	B1-U3-G2				
III-W-HS	6408	61				B1-U3-G3	6917	66	B1-U3-G3	7282	69	B1-U3-G3	7646	72	B1-U3-G3				
IV-HS	6855	65				B1-U3-G2	7400	70	B1-U3-G2	7790	74	B1-U3-G2	8179	77	B1-U3-G2				
IV-FT-HS	6392	61				B1-U3-G2	6900	65	B1-U3-G3	7263	69	B1-U3-G3	7626	72	B1-U3-G3				
48	875	132.0				II	10271	78	B2-U3-G2	11088	84	B2-U3-G2	11671	88	B2-U3-G2	12255	93	B2-U3-G2	N/A
			II-FR	10192	77	B2-U3-G2	11002	83	B2-U3-G2	11582	88	B2-U3-G2	12160	92	B2-U3-G2				
			III-M	10508	80	B2-U3-G2	11344	86	B2-U3-G2	11941	90	B2-U3-G2	12538	95	B2-U3-G2				
			III-W	9679	73	B2-U3-G3	10449	79	B2-U3-G3	11000	83	B2-U3-G3	11549	87	B2-U3-G3				
			IV	10474	79	B2-U3-G2	11307	86	B2-U3-G2	11903	90	B2-U3-G2	12498	95	B2-U3-G2				
			IV-FT	9399	71	B2-U3-G3	10146	77	B2-U3-G3	10681	81	B2-U3-G3	11215	85	B2-U3-G3				
			VSQ-N	10902	83	B3-U3-G2	11769	89	B3-U3-G2	12389	94	B3-U3-G2	13008	99	B3-U3-G2				
			VSQ-M	10824	82	B3-U3-G2	11685	89	B4-U3-G2	12301	93	B4-U3-G2	12916	98	B4-U3-G2				
			VSQ-W	10375	79	B4-U3-G3	11199	85	B4-U3-G3	11788	89	B4-U3-G3	12377	94	B4-U3-G3				
			II-HS	7589	57	B1-U3-G2	8193	62	B1-U3-G2	8624	65	B1-U3-G2	9056	69	B1-U3-G2				
			II-FR-HS	7669	58	B1-U3-G1	8278	63	B1-U3-G1	8715	66	B1-U3-G1	9150	69	B1-U3-G1				
			III-M-HS	7724	59	B1-U3-G2	8339	63	B1-U3-G2	8778	66	B1-U3-G2	9216	70	B1-U3-G2				
			III-W-HS	7511	57	B1-U3-G3	8108	61	B1-U3-G3	8535	65	B1-U3-G3	8961	68	B1-U3-G3				
			IV-HS	8033	61	B1-U3-G2	8672	66	B1-U3-G2	9129	69	B1-U3-G2	9585	73	B1-U3-G2				
			IV-FT-HS	7490	57	B1-U3-G3	8086	61	B1-U3-G3	8512	64	B1-U3-G3	8937	68	B1-U3-G3				

IES File downloads for this product can be found at [www.usaltg.com/downloads/asr.html](http://www.usaltg.com/downloads/asr.html)

## PHOTOMETRIC DATA GUIDE - LUMEN TABLES (MOZ26-PLED-CPA)

MOZ26-PLED-CPA																			
LED Count	Drive Current (mA)	System Watts	Dist'n Type	27K (2700K - 70CRI)			30K (3000K - 70CRI)			40K (4000K - 70CRI)			50K (5000K - 70CRI)			System Watts	TRA (590nm)		
				LUMENS	LPW	BUG RATING	LUMENS	LPW	BUG RATING	LUMENS	LPW	BUG RATING	LUMENS	LPW	BUG RATING		LUMENS	LPW	BUG RATING
36	175	19.8	II	2153	109	B1-U3-G1	2323	117	B1-U3-G1	2446	124	B1-U3-G1	2567	130	B1-U3-G1	16.0	880	55	B0-U2-G1
			II-FR	2135	108	B1-U3-G1	2305	116	B1-U3-G1	2426	123	B1-U3-G1	2547	129	B1-U3-G1		873	55	B0-U2-G0
			III-M	2202	111	B1-U3-G1	2377	120	B1-U3-G1	2502	126	B1-U3-G1	2627	133	B1-U3-G1		901	56	B0-U2-G1
			III-W	2029	102	B1-U3-G1	2190	111	B1-U3-G1	2306	116	B1-U3-G1	2421	122	B1-U3-G1		830	52	B0-U2-G1
			IV	2195	111	B1-U3-G1	2370	120	B1-U3-G1	2494	126	B1-U3-G1	2618	132	B1-U3-G1		898	56	B0-U2-G1
			IV-FT	1970	99	B1-U2-G1	2126	107	B1-U3-G1	2238	113	B1-U3-G1	2350	119	B1-U3-G1		806	50	B0-U2-G1
			VSQ-N	2286	115	B1-U3-G1	2467	125	B1-U3-G1	2597	131	B1-U3-G1	2726	138	B1-U3-G1		934	58	B1-U2-G0
			VSQ-M	2268	115	B2-U3-G1	2449	124	B2-U3-G1	2578	130	B2-U3-G1	2706	137	B2-U3-G1		928	58	B1-U2-G1
			VSQ-W	2173	110	B2-U2-G1	2346	119	B2-U2-G1	2470	125	B2-U2-G1	2593	131	B2-U2-G1		889	56	B1-U2-G1
			ASY	1597	80	B0-U2-G1	1716	87	B0-U2-G1	1807	91	B0-U2-G1	1897	96	B0-U2-G1		650	41	B0-U2-G0
			II-FR-HS	1607	81	B0-U3-G1	1735	88	B0-U3-G1	1826	92	B0-U3-G1	1917	97	B0-U3-G1		657	41	B0-U2-G0
			III-M-HS	1619	82	B0-U2-G1	1747	88	B0-U2-G1	1839	93	B0-U2-G1	1931	98	B0-U2-G1		662	41	B0-U2-G0
			III-W-HS	1574	79	B0-U2-G1	1699	86	B0-U2-G1	1788	90	B0-U2-G1	1877	95	B0-U2-G1		644	40	B0-U2-G1
			IV-HS	1684	85	B0-U2-G1	1817	92	B0-U2-G1	1913	97	B0-U2-G1	2009	101	B0-U2-G1		688	43	B0-U2-G0
			IV-FT-HS	1570	79	B0-U2-G1	1694	86	B0-U2-G1	1784	90	B0-U2-G1	1872	95	B0-U2-G1		642	40	B0-U2-G1
			36	350	39.6	II	3913	99	B1-U3-G1	4224	107	B1-U3-G1	4446	112	B1-U3-G1		4668	118	B1-U3-G1
II-FR	3882	98				B1-U3-G1	4191	106	B1-U3-G1	4411	111	B1-U3-G1	4631	117	B1-U3-G1	1438	47	B0-U3-G1	
III-M	4003	101				B1-U3-G1	4322	109	B1-U3-G1	4549	115	B1-U3-G1	4776	121	B1-U3-G1	1483	49	B1-U2-G1	
III-W	3687	93				B1-U3-G2	3981	101	B1-U3-G2	4191	106	B1-U3-G2	4399	111	B1-U3-G2	1366	45	B0-U2-G1	
IV	3990	101				B1-U3-G1	4308	109	B1-U3-G1	4534	115	B1-U3-G1	4761	120	B1-U3-G1	1478	48	B1-U2-G1	
IV-FT	3581	90				B1-U3-G2	3865	98	B1-U3-G2	4069	103	B1-U3-G2	4272	108	B1-U3-G2	1326	43	B0-U2-G1	
VSQ-N	4154	105				B2-U3-G1	4484	113	B2-U3-G1	4720	119	B2-U3-G1	4956	125	B2-U3-G1	1539	50	B1-U2-G1	
VSQ-M	4122	104				B2-U3-G1	4451	112	B3-U3-G1	4685	118	B3-U3-G1	4919	124	B3-U3-G1	1527	50	B1-U2-G1	
VSQ-W	3952	100				B3-U3-G2	4266	108	B3-U3-G2	4490	113	B3-U3-G2	4714	119	B3-U3-G2	1464	48	B1-U2-G1	
II-HS	2891	73				B1-U3-G1	3121	79	B1-U3-G1	3285	83	B1-U3-G1	3449	87	B1-U3-G1	1071	35	B0-U2-G1	
II-FR-HS	2921	74				B0-U3-G1	3153	80	B0-U3-G1	3319	84	B0-U3-G1	3484	88	B1-U3-G1	1082	35	B0-U2-G1	
III-M-HS	2943	74				B1-U3-G1	3177	80	B1-U3-G1	3344	84	B1-U3-G1	3511	89	B1-U3-G1	1090	36	B0-U2-G1	
III-W-HS	2861	72				B1-U3-G2	3088	78	B1-U3-G2	3251	82	B1-U3-G2	3413	86	B1-U3-G2	1060	35	B0-U2-G1	
IV-HS	3061	77				B1-U3-G1	3304	83	B1-U3-G1	3478	88	B1-U3-G1	3651	92	B1-U3-G1	1134	37	B0-U2-G1	
IV-FT-HS	2854	72				B1-U3-G1	3080	78	B1-U3-G2	3242	82	B1-U3-G2	3404	86	B1-U3-G2	1057	35	B0-U2-G1	
36	525	59.4				II	5634	95	B1-U3-G1	6082	102	B2-U3-G1	6402	108	B2-U3-G2	6721	113	B2-U3-G2	45.7
			II-FR	5590	94	B1-U3-G1	6035	102	B1-U3-G1	6352	107	B1-U3-G1	6670	112	B1-U3-G1	1690	37	B1-U3-G1	
			III-M	5764	97	B1-U3-G1	6222	105	B1-U3-G2	6550	110	B2-U3-G2	6877	116	B2-U3-G2	1742	38	B1-U2-G1	
			III-W	5310	89	B1-U3-G2	5732	97	B1-U3-G2	6034	102	B1-U3-G2	6335	107	B1-U3-G2	1605	35	B0-U2-G1	
			IV	5746	97	B1-U3-G1	6202	104	B2-U3-G2	6529	110	B2-U3-G2	6855	115	B2-U3-G2	1737	38	B1-U2-G1	
			IV-FT	5156	87	B1-U3-G2	5566	94	B1-U3-G2	5859	99	B1-U3-G2	6152	104	B1-U3-G2	1559	34	B0-U2-G1	
			VSQ-N	5980	101	B2-U3-G1	6456	109	B2-U3-G1	6796	114	B2-U3-G1	7135	120	B2-U3-G1	1807	40	B1-U3-G1	
			VSQ-M	5938	100	B3-U3-G1	6409	108	B3-U3-G1	6747	114	B3-U3-G1	7084	119	B3-U3-G1	1794	39	B1-U2-G1	
			VSQ-W	5691	96	B3-U3-G2	6144	103	B3-U3-G2	6467	109	B3-U3-G3	6790	114	B3-U3-G3	1720	38	B1-U2-G1	
			II-HS	4163	70	B1-U3-G1	4494	76	B1-U3-G1	4730	80	B1-U3-G1	4966	84	B1-U3-G1	1258	28	B0-U2-G1	
			II-FR-HS	4207	71	B1-U3-G1	4541	76	B1-U3-G1	4780	80	B1-U3-G1	5019	84	B1-U3-G1	1272	28	B0-U2-G1	
			III-M-HS	4237	71	B1-U3-G1	4574	77	B1-U3-G1	4815	81	B1-U3-G2	5055	85	B1-U3-G2	1281	28	B0-U2-G1	
			III-W-HS	4120	69	B1-U3-G2	4448	75	B1-U3-G2	4682	79	B1-U3-G2	4916	83	B1-U3-G2	1246	27	B0-U2-G1	
			IV-HS	4407	74	B1-U3-G1	4757	80	B1-U3-G1	5007	84	B1-U3-G2	5257	89	B1-U3-G2	1332	29	B0-U2-G1	
			IV-FT-HS	4109	69	B1-U3-G2	4436	75	B1-U3-G2	4669	79	B1-U3-G2	4902	83	B1-U3-G2	1242	27	B0-U2-G1	
			36	700	79.2	II	7144	90	B2-U3-G2	7712	97	B2-U3-G2	8118	103	B2-U3-G2	8524	108	B2-U3-G2	
II-FR	7089	90				B2-U3-G1	7653	97	B2-U3-G1	8056	102	B2-U3-G1	8458	107	B2-U3-G1				
III-M	7309	92				B2-U3-G2	7890	100	B2-U3-G2	8306	105	B2-U3-G2	8721	110	B2-U3-G2				
III-W	6733	85				B1-U3-G3	7269	92	B1-U3-G3	7651	97	B1-U3-G3	8033	101	B1-U3-G3				
IV	7286	92				B2-U3-G2	7865	99	B2-U3-G2	8279	105	B2-U3-G2	8693	110	B2-U3-G2				
IV-FT	6538	83				B1-U3-G3	7058	89	B1-U3-G3	7430	94	B1-U3-G3	7800	98	B1-U3-G3				
VSQ-N	7583	96				B2-U3-G1	8185	103	B2-U3-G1	8617	109	B3-U3-G1	9048	114	B3-U3-G1				
VSQ-M	7530	95				B3-U3-G1	8129	103	B3-U3-G2	8557	108	B3-U3-G2	8984	113	B3-U3-G2				
VSQ-W	7217	91				B3-U3-G3	7791	98	B3-U3-G3	8201	104	B3-U3-G3	8611	109	B3-U3-G3				
II-HS	5279	67				B1-U3-G2	5698	72	B1-U3-G2	5999	76	B1-U3-G2	6298	80	B1-U3-G2				
II-FR-HS	5335	67				B1-U3-G1	5759	73	B1-U3-G1	6062	77	B1-U3-G1	6365	80	B1-U3-G1				
III-M-HS	5373	68				B1-U3-G2	5800	73	B1-U3-G2	6105	77	B1-U3-G2	6410	81	B1-U3-G2				
III-W-HS	5224	66				B1-U3-G2	5640	71	B1-U3-G2	5936	75	B1-U3-G2	6233	79	B1-U3-G3				
IV-HS	5588	71				B1-U3-G2	6032	76	B1-U3-G2	6350	80	B1-U3-G2	6667	84	B1-U3-G2				
IV-FT-HS	5211	66				B1-U3-G2	5625	71	B1-U3-G2	5921	75	B1-U3-G2	6217	78	B1-U3-G2				
36	875	99.0				II	8373	85	B2-U3-G2	9038	91	B2-U3-G2	9515	96	B2-U3-G2	9990	101	B2-U3-G2	N/A
			II-FR	8308	84	B2-U3-G1	8969	91	B2-U3-G2	9441	95	B2-U3-G2	9913	100	B2-U3-G2				
			III-M	8566	87	B2-U3-G2	9247	93	B2-U3-G2	9734	98	B2-U3-G2	10221	103	B2-U3-G2				
			III-W	7891	80	B1-U3-G3	8518	86	B2-U3-G3	8967	91	B2-U3-G3	9415	95	B2-U3-G3				
			IV	8539	86	B2-U3-G2	9218	93	B2-U3-G2	9704	98	B2-U3-G2	10189	103	B2-U3-G2				
			IV-FT	7663	77	B1-U3-G3	8271	84	B1-U3-G3	8707	88	B2-U3-G3	9142	92	B2-U3-G3				
			VSQ-N	8888	90	B3-U3-G1	9594	97	B3-U3-G1	10100	102	B3-U3-G2	10604	107	B3-U3-G2				
			VSQ-M	8824	89	B3-U3-G2	9526	96	B3-U3-G2	10027	101	B3-U3-G2	10527	106	B3-U3-G2				
			VSQ-W	8457	85	B3-U3-G3	9129	92	B4-U3-G3	9610	97	B4-U3-G3	10090	102	B4-U3-G3				
			II-HS	6187	62	B1-U3-G2	6679	67	B1-U3-G2	7030	71	B1-U3-G2	7381	75	B1-U3-G2				
			II-FR-HS	6252	63	B1-U3-G1	6749	68	B1-U3-G1	7104	72	B1-U3-G1	7459	75	B1-U3-G1				
			III-M-HS	6297	64	B1-U3-G2	6797	69	B1-U3-G2	7155	72	B1-U3-G2	7513	76	B1-U3-G2				
			III-W-HS	6122	62	B1-U3-G2	6609	67	B1-U3-G3	6957	70	B1-U3-G3	7304	74	B1-U3-G3				
			IV-HS	6549	66	B1-U3-G2	7069	71	B1-U3-G2	7442	75	B1-U3-G2	7813	79	B1-U3-G2				
			IV-FT-HS	6107	62	B1-U3-G2	6592	67	B1-U3-G3	6939	70	B1-U3-G3	7285	74	B1-U3-G3				

IES File downloads for this product can be found at [www.usaltg.com/downloads/asr.html](http://www.usaltg.com/downloads/asr.html)

## PHOTOMETRIC DATA GUIDE - LUMEN TABLES (MOZ26-PLED-CPA)

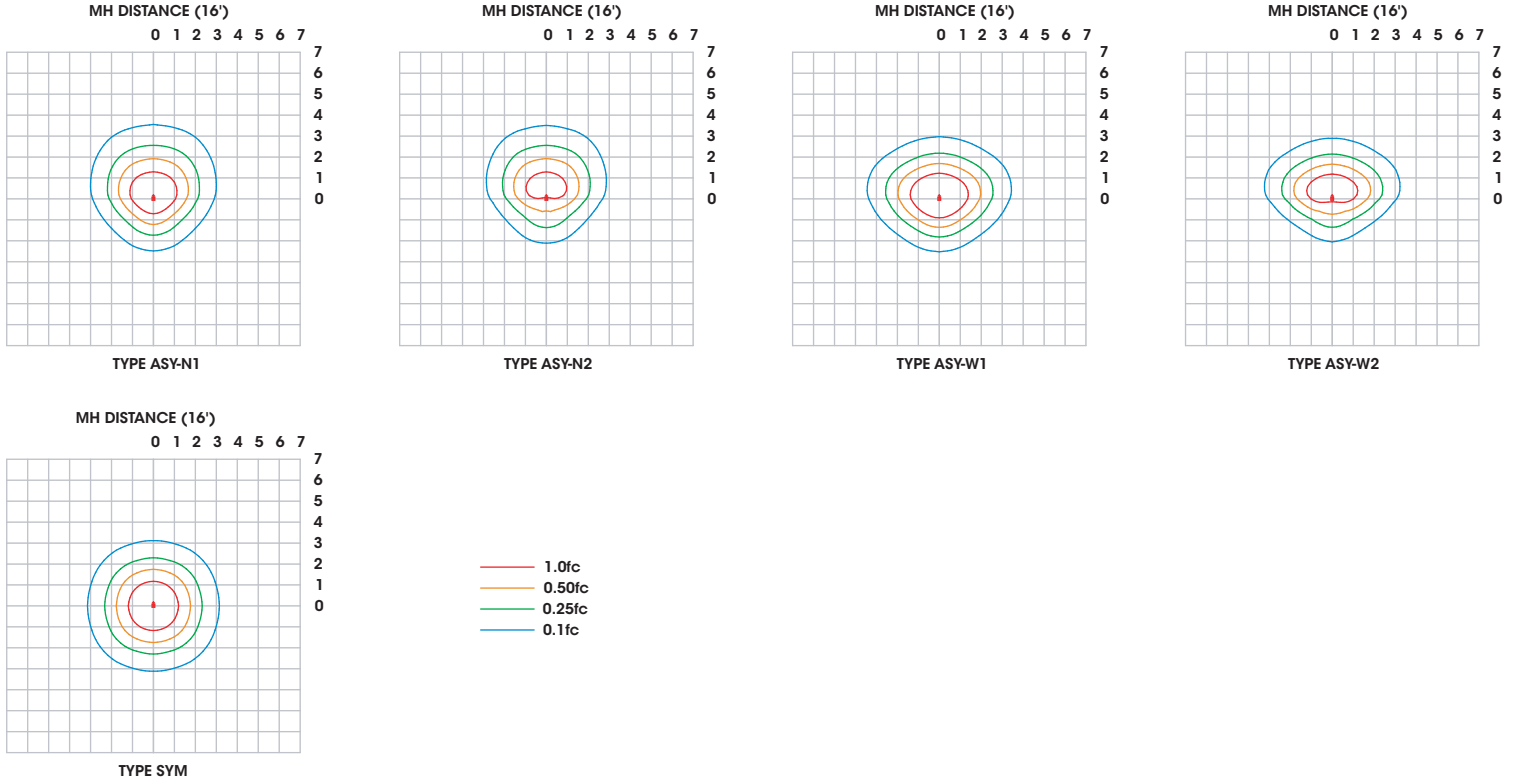
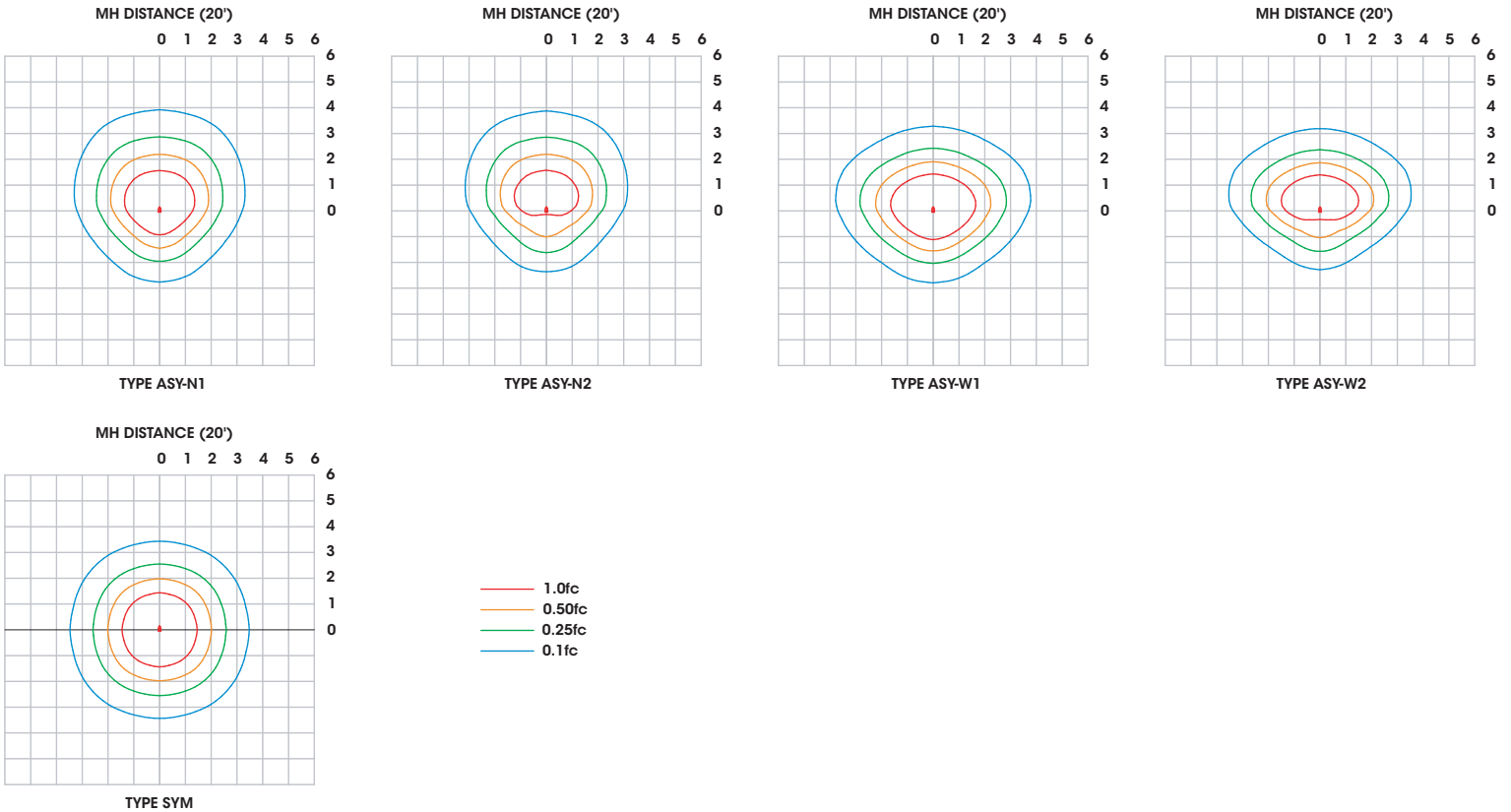
MOZ26-PLED-CPA																			
LED Count	Drive Current (mA)	System Watts	Dist'n Type	27K (2700K - 70CRI)			30K (3000K - 70CRI)			40K (4000K - 70CRI)			50K (5000K - 70CRI)			System Watts	TRA (590nm)		
				LUMENS	LPW	BUG RATING	LUMENS	LPW	BUG RATING	LUMENS	LPW	BUG RATING	LUMENS	LPW	BUG RATING		LUMENS	LPW	BUG RATING
48	175	26.4	II	2869	109	B1-U3-G1	3097	117	B1-U3-G1	3261	124	B1-U3-G1	3424	130	B1-U3-G1	21.0	1174	56	B0-U2-G1
			II-FR	2847	108	B1-U3-G1	3073	116	B1-U3-G1	3235	123	B1-U3-G1	3396	129	B1-U3-G1		1164	55	B0-U2-G1
			III-M	2936	111	B1-U3-G1	3169	120	B1-U3-G1	3336	126	B1-U3-G1	3503	133	B1-U3-G1		1201	57	B0-U2-G1
			III-W	2706	102	B1-U3-G1	2920	111	B1-U3-G2	3074	116	B1-U3-G2	3227	122	B1-U3-G2		1106	53	B0-U2-G1
			IV	2926	111	B1-U3-G1	3159	120	B1-U3-G1	3326	126	B1-U3-G1	3491	132	B1-U3-G1		1197	57	B0-U2-G1
			IV-FT	2627	99	B1-U3-G1	2835	107	B1-U3-G2	2984	113	B1-U3-G2	3133	119	B1-U3-G2		1074	51	B0-U2-G1
			VSQ-N	3046	115	B1-U3-G1	3288	125	B1-U3-G1	3462	131	B1-U3-G1	3635	138	B2-U3-G1		1246	59	B1-U2-G1
			VSQ-M	3025	115	B2-U3-G1	3265	124	B2-U3-G1	3437	130	B2-U3-G1	3608	137	B2-U3-G1		1237	59	B1-U2-G1
			VSQ-W	2898	110	B2-U3-G2	3129	119	B2-U3-G2	3294	125	B2-U3-G2	3458	131	B2-U3-G2		1186	56	B1-U2-G1
			II-HS	2120	80	B0-U3-G1	2289	87	B0-U3-G1	2409	91	B1-U3-G1	2529	96	B1-U3-G1		867	41	B0-U2-G1
			II-FR-HS	2143	81	B0-U3-G1	2313	88	B0-U3-G1	2435	92	B0-U3-G1	2556	97	B0-U3-G1		876	42	B0-U2-G0
			III-M-HS	2158	82	B0-U2-G1	2330	88	B0-U3-G1	2452	93	B0-U3-G1	2574	98	B0-U3-G1		883	42	B0-U2-G1
			III-W-HS	2099	80	B0-U2-G1	2266	86	B0-U2-G1	2385	90	B0-U2-G1	2504	95	B0-U3-G1		858	41	B0-U2-G1
			IV-HS	2245	85	B0-U3-G1	2423	92	B0-U3-G1	2551	97	B0-U3-G1	2678	101	B0-U3-G1		918	44	B0-U2-G1
			IV-FT-HS	2093	79	B0-U2-G1	2259	86	B0-U2-G1	2378	90	B0-U2-G1	2497	95	B1-U2-G1		856	41	B0-U2-G1
			48	350	52.8	II	5217	99	B1-U3-G1	5632	107	B1-U3-G1	5928	112	B2-U3-G1		6224	118	B2-U3-G2
II-FR	5176	98				B1-U3-G1	5588	106	B1-U3-G1	5882	111	B1-U3-G1	6176	117	B1-U3-G1	1918	47	B1-U3-G1	
III-M	5337	101				B1-U3-G1	5762	109	B1-U3-G1	6065	115	B1-U3-G2	6368	121	B2-U3-G2	1977	49	B1-U3-G1	
III-W	4917	93				B1-U3-G2	5308	101	B1-U3-G2	5587	106	B1-U3-G2	5866	111	B1-U3-G2	1821	45	B1-U2-G1	
IV	5320	101				B1-U3-G1	5743	109	B1-U3-G1	6045	114	B1-U3-G1	6347	120	B2-U3-G2	1971	48	B1-U3-G1	
IV-FT	4774	90				B1-U3-G2	5154	98	B1-U3-G2	5425	103	B1-U3-G2	5696	108	B1-U3-G2	1768	43	B0-U2-G1	
VSQ-N	5538	105				B2-U3-G1	5978	113	B2-U3-G1	6293	119	B2-U3-G1	6607	125	B2-U3-G1	2052	50	B1-U3-G1	
VSQ-M	5498	104				B3-U3-G1	5935	112	B3-U3-G1	6247	118	B3-U3-G1	6559	124	B3-U3-G1	2037	50	B1-U2-G1	
VSQ-W	5268	100				B3-U3-G2	5688	108	B3-U3-G2	5988	113	B3-U3-G2	6287	119	B3-U3-G2	1951	48	B2-U2-G1	
II-HS	3855	73				B1-U3-G1	4161	79	B1-U3-G1	4380	83	B1-U3-G1	4598	87	B1-U3-G1	1428	35	B0-U2-G1	
II-FR-HS	3895	74				B1-U3-G1	4205	80	B1-U3-G1	4426	84	B1-U3-G1	4647	88	B1-U3-G1	1443	35	B0-U2-G1	
III-M-HS	3923	74				B1-U3-G1	4236	80	B1-U3-G1	4458	84	B1-U3-G1	4681	89	B1-U3-G2	1453	36	B0-U2-G1	
III-W-HS	3815	72				B1-U3-G2	4118	78	B1-U3-G2	4335	82	B1-U3-G2	4551	86	B1-U3-G2	1413	35	B0-U2-G1	
IV-HS	4081	77				B1-U3-G1	4405	83	B1-U3-G1	4637	88	B1-U3-G1	4868	92	B1-U3-G1	1512	37	B0-U2-G1	
IV-FT-HS	3804	72				B1-U3-G2	4107	78	B1-U3-G2	4323	82	B1-U3-G2	4539	86	B1-U3-G2	1409	35	B0-U2-G1	
48	525	79.2				II	7511	95	B2-U3-G2	8108	102	B2-U3-G2	8536	108	B2-U3-G2	8962	113	B2-U3-G2	61.0
			II-FR	7454	94	B2-U3-G1	8047	102	B2-U3-G1	8471	107	B2-U3-G1	8894	112	B2-U3-G1	2253	37	B1-U3-G1	
			III-M	7685	97	B2-U3-G2	8296	105	B2-U3-G2	8733	110	B2-U3-G2	9170	116	B2-U3-G2	2323	38	B1-U3-G1	
			III-W	7079	89	B1-U3-G3	7642	96	B1-U3-G3	8045	102	B1-U3-G3	8446	107	B2-U3-G3	2140	35	B1-U3-G1	
			IV	7661	97	B2-U3-G2	8270	104	B2-U3-G2	8705	110	B2-U3-G2	9140	115	B2-U3-G2	2316	38	B1-U3-G1	
			IV-FT	6875	87	B1-U3-G3	7422	94	B1-U3-G3	7812	99	B1-U3-G3	8202	104	B1-U3-G3	2078	34	B1-U2-G1	
			VSQ-N	7975	101	B2-U3-G1	8609	109	B3-U3-G1	9062	114	B3-U3-G1	9515	120	B3-U3-G1	2410	40	B1-U3-G1	
			VSQ-M	7917	100	B3-U3-G2	8547	108	B3-U3-G2	8997	114	B3-U3-G2	9446	119	B3-U3-G2	2393	39	B2-U3-G1	
			VSQ-W	7588	96	B3-U3-G3	8192	103	B3-U3-G3	8623	109	B3-U3-G3	9054	114	B3-U3-G3	2294	38	B2-U2-G1	
			II-HS	5550	70	B1-U3-G2	5992	76	B1-U3-G2	6307	80	B1-U3-G2	6622	84	B1-U3-G2	1678	28	B0-U2-G1	
			II-FR-HS	5609	71	B1-U3-G1	6055	76	B1-U3-G1	6374	80	B1-U3-G1	6693	85	B1-U3-G1	1696	28	B0-U3-G1	
			III-M-HS	5650	71	B1-U3-G2	6099	77	B1-U3-G2	6420	81	B1-U3-G2	6740	85	B1-U3-G2	1708	28	B0-U2-G1	
			III-W-HS	5493	69	B1-U3-G2	5930	75	B1-U3-G2	6242	79	B1-U3-G3	6554	83	B1-U3-G3	1660	27	B0-U2-G1	
			IV-HS	5875	74	B1-U3-G2	6343	80	B1-U3-G2	6677	84	B1-U3-G2	7010	89	B1-U3-G2	1776	29	B0-U2-G1	
			IV-FT-HS	5479	69	B1-U3-G2	5915	75	B1-U3-G2	6226	79	B1-U3-G2	6536	83	B1-U3-G3	1656	27	B0-U2-G1	
			48	700	105.6	II	9526	90	B2-U3-G2	10283	97	B2-U3-G2	10825	103	B2-U3-G2	11366	108	B2-U3-G2	
II-FR	9453	90				B2-U3-G2	10205	97	B2-U3-G2	10742	102	B2-U3-G2	11278	107	B2-U3-G2				
III-M	9746	92				B2-U3-G2	10520	100	B2-U3-G2	11074	105	B2-U3-G2	11628	110	B2-U3-G2				
III-W	8978	85				B2-U3-G3	9691	92	B2-U3-G3	10202	97	B2-U3-G3	10712	101	B2-U3-G3				
IV	9715	92				B2-U3-G2	10487	99	B2-U3-G2	11039	105	B2-U3-G2	11591	110	B2-U3-G2				
IV-FT	8717	83				B2-U3-G3	9410	89	B2-U3-G3	9906	94	B2-U3-G3	10401	98	B2-U3-G3				
VSQ-N	10110	96				B3-U3-G2	10915	103	B3-U3-G2	11489	109	B3-U3-G2	12063	114	B3-U3-G2				
VSQ-M	10040	95				B3-U3-G2	10837	103	B3-U3-G2	11409	108	B4-U3-G2	11980	113	B4-U3-G2				
VSQ-W	9623	91				B4-U3-G3	10388	98	B4-U3-G3	10935	104	B4-U3-G3	11481	109	B4-U3-G3				
II-HS	7038	67				B1-U3-G2	7598	72	B1-U3-G2	7998	76	B1-U3-G2	8397	80	B1-U3-G2				
II-FR-HS	7113	67				B1-U3-G1	7679	73	B1-U3-G1	8083	77	B1-U3-G1	8487	80	B1-U3-G1				
III-M-HS	7164	68				B1-U3-G2	7734	73	B1-U3-G2	8141	77	B1-U3-G2	8548	81	B1-U3-G2				
III-W-HS	6966	66				B1-U3-G3	7519	71	B1-U3-G3	7915	75	B1-U3-G3	8311	79	B1-U3-G3				
IV-HS	7451	71				B1-U3-G2	8043	76	B1-U3-G2	8467	80	B1-U3-G2	8890	84	B1-U3-G2				
IV-FT-HS	6948	66				B1-U3-G3	7500	71	B1-U3-G3	7895	75	B1-U3-G3	8289	78	B1-U3-G3				
48	875	132.0				II	11164	85	B2-U3-G2	12052	91	B2-U3-G2	12686	96	B3-U3-G3	13320	101	B3-U3-G3	N/A
			II-FR	11078	84	B2-U3-G2	11959	91	B2-U3-G2	12589	95	B2-U3-G2	13218	100	B2-U3-G2				
			III-M	11422	87	B2-U3-G2	12330	93	B2-U3-G2	12979	98	B2-U3-G2	13628	103	B2-U3-G2				
			III-W	10522	80	B2-U3-G3	11358	86	B2-U3-G3	11956	91	B2-U3-G3	12554	95	B2-U3-G3				
			IV	11385	86	B2-U3-G2	12291	93	B2-U3-G2	12938	98	B2-U3-G2	13584	103	B2-U3-G2				
			IV-FT	10216	77	B2-U3-G3	11028	84	B2-U3-G3	11609	88	B2-U3-G3	12189	92	B2-U3-G3				
			VSQ-N	11850	90	B3-U3-G2	12793	97	B3-U3-G2	13467	102	B3-U3-G2	14139	107	B3-U3-G2				
			VSQ-M	11766	89	B4-U3-G2	12701	96	B4-U3-G2	13370	101	B4-U3-G2	14038	106	B4-U3-G2				
			VSQ-W	11276	85	B4-U3-G3	12173	92	B4-U3-G3	12813	97	B4-U3-G3	13453	102	B4-U3-G3				
			II-HS	8249	62	B1-U3-G2	8905	67	B1-U3-G2	9374	71	B1-U3-G2	9842	75	B1-U3-G2				
			II-FR-HS	8336	63	B1-U3-G1	8999	68	B1-U3-G1	9472	72	B1-U3-G1	9945	75	B1-U3-G1				
			III-M-HS	8396	64	B1-U3-G2	9063	69	B1-U3-G2	9541	72	B1-U3-G2	10017	76	B1-U3-G2				
			III-W-HS	8163	62	B1-U3-G3	8812	67	B1-U3-G3	9277	70	B1-U3-G3	9740	74	B1-U3-G3				
			IV-HS	8732	66	B1-U3-G2	9426	71	B1-U3-G2	9922	75	B1-U3-G2	10418	79	B1-U3-G2				
			IV-FT-HS	8142	62	B1													

## PHOTOMETRIC DATA GUIDE - LUMEN TABLES (MOZ26-PLED-CPA)

MOZ26-PLED-CPA																			
LED Count	Drive Current (mA)	System Watts	Dist'n Type	27K (2700K - 70CRI)			30K (3000K - 70CRI)			40K (4000K - 70CRI)			50K (5000K - 70CRI)			System Watts	TRA (590nm)		
				LUMENS	LPW	BUG RATING	LUMENS	LPW	BUG RATING	LUMENS	LPW	BUG RATING	LUMENS	LPW	BUG RATING		LUMENS	LPW	BUG RATING
80	175	44.0	II	4400	100	B1-U3-G1	4749	108	B1-U3-G1	5000	114	B1-U3-G1	5249	119	B1-U3-G1	34.0	1799	53	B1-U2-G1
			II-FR	4366	99	B1-U3-G1	4713	107	B1-U3-G1	4961	113	B1-U3-G1	5209	118	B1-U3-G1		1786	53	B1-U3-G1
			III-M	4501	102	B1-U3-G1	4859	110	B1-U3-G1	5115	116	B1-U3-G1	5371	122	B1-U3-G1		1841	54	B1-U2-G1
			III-W	4147	94	B1-U3-G2	4477	102	B1-U3-G2	4712	107	B1-U3-G2	4948	112	B1-U3-G2		1696	50	B0-U2-G1
			IV	4487	102	B1-U3-G1	4844	110	B1-U3-G1	5099	116	B1-U3-G1	5353	122	B1-U3-G1		1835	54	B1-U2-G1
			IV-FT	4026	92	B1-U3-G2	4347	99	B1-U3-G2	4576	104	B1-U3-G2	4804	109	B1-U3-G2		1647	48	B0-U2-G1
			VSQ-N	4670	106	B2-U3-G1	5042	115	B2-U3-G1	5307	121	B2-U3-G1	5571	127	B2-U3-G1		1910	56	B1-U3-G1
			VSQ-M	4637	105	B3-U3-G1	5006	114	B3-U3-G1	5270	120	B3-U3-G1	5533	126	B3-U3-G1		1896	56	B1-U2-G1
			VSQ-W	4444	101	B3-U3-G2	4797	109	B3-U3-G2	5050	115	B3-U3-G2	5302	121	B3-U3-G2		1818	53	B1-U2-G1
			II-HS	3251	74	B1-U3-G1	3509	80	B1-U3-G1	3694	84	B1-U3-G1	3878	88	B1-U3-G1		1330	39	B0-U2-G1
			II-FR-HS	3285	75	B0-U3-G1	3546	81	B1-U3-G1	3733	85	B1-U3-G1	3919	89	B1-U3-G1		1344	40	B0-U2-G1
			III-M-HS	3309	75	B1-U3-G1	3572	81	B1-U3-G1	3760	85	B1-U3-G1	3947	90	B1-U3-G1		1354	40	B0-U2-G1
			III-W-HS	3218	73	B1-U3-G2	3473	79	B1-U3-G2	3656	83	B1-U3-G2	3839	87	B1-U3-G2		1316	39	B0-U2-G1
			IV-HS	3441	78	B1-U3-G1	3715	84	B1-U3-G1	3911	89	B1-U3-G1	4106	93	B1-U3-G1		1408	41	B0-U2-G1
			IV-FT-HS	3209	73	B1-U3-G2	3464	79	B1-U3-G2	3646	83	B1-U3-G2	3828	87	B1-U3-G2		1313	39	B0-U2-G1
			80	350	88.0	II	7999	91	B2-U3-G2	8634	98	B2-U3-G2	9089	103	B2-U3-G2		9543	108	B2-U3-G2
II-FR	7938	90				B2-U3-G1	8568	97	B2-U3-G1	9020	102	B2-U3-G2	9471	108	B2-U3-G2	2941	44	B1-U3-G1	
III-M	8183	93				B2-U3-G2	8834	100	B2-U3-G2	9299	106	B2-U3-G2	9764	111	B2-U3-G2	3032	45	B1-U3-G1	
III-W	7539	86				B1-U3-G3	8138	92	B1-U3-G3	8567	97	B2-U3-G3	8995	102	B2-U3-G3	2793	42	B1-U3-G1	
IV	8157	93				B2-U3-G2	8806	100	B2-U3-G2	9270	105	B2-U3-G2	9733	111	B2-U3-G2	3022	45	B1-U3-G1	
IV-FT	7320	83				B1-U3-G3	7902	90	B1-U3-G3	8318	95	B1-U3-G3	8734	99	B2-U3-G3	2712	40	B1-U3-G1	
VSQ-N	8490	96				B3-U3-G1	9166	104	B3-U3-G1	9648	110	B3-U3-G1	10129	115	B3-U3-G2	3145	47	B1-U3-G1	
VSQ-M	8431	96				B3-U3-G2	9101	103	B3-U3-G2	9580	109	B3-U3-G2	10058	114	B3-U3-G2	3123	47	B2-U3-G1	
VSQ-W	8080	92				B3-U3-G3	8723	99	B3-U3-G3	9181	104	B4-U3-G3	9640	110	B4-U3-G3	2994	45	B2-U3-G2	
II-HS	5910	67				B1-U3-G2	6380	73	B1-U3-G2	6716	76	B1-U3-G2	7052	80	B1-U3-G2	2190	33	B0-U3-G1	
II-FR-HS	5973	68				B1-U3-G1	6448	73	B1-U3-G1	6787	77	B1-U3-G1	7126	81	B1-U3-G1	2213	33	B0-U3-G1	
III-M-HS	6016	68				B1-U3-G2	6495	74	B1-U3-G2	6837	78	B1-U3-G2	7178	82	B1-U3-G2	2229	33	B0-U3-G1	
III-W-HS	5849	66				B1-U3-G2	6314	72	B1-U3-G3	6647	76	B1-U3-G3	6979	79	B1-U3-G3	2167	32	B0-U2-G1	
IV-HS	6257	71				B1-U3-G2	6754	77	B1-U3-G2	7110	81	B1-U3-G2	7465	85	B1-U3-G2	2318	35	B0-U3-G1	
IV-FT-HS	5834	66				B1-U3-G2	6298	72	B1-U3-G2	6630	75	B1-U3-G3	6960	79	B1-U3-G3	2162	32	B0-U2-G1	
80	525	132.0				II	11518	87	B2-U3-G2	12433	94	B2-U3-G2	13088	99	B3-U3-G3	13743	104	B3-U3-G3	101.0
			II-FR	11429	87	B2-U3-G2	12339	93	B2-U3-G2	12988	98	B2-U3-G2	13637	103	B2-U3-G2	3454	34	B1-U3-G1	
			III-M	11784	89	B2-U3-G2	12721	96	B2-U3-G2	13391	101	B2-U3-G2	14060	107	B2-U3-G3	3562	35	B1-U3-G1	
			III-W	10855	82	B2-U3-G3	11718	89	B2-U3-G3	12335	93	B2-U3-G3	12952	98	B2-U3-G3	3281	32	B1-U3-G2	
			IV	11747	89	B2-U3-G2	12681	96	B2-U3-G2	13348	101	B2-U3-G2	14015	106	B2-U3-G2	3551	35	B1-U3-G1	
			IV-FT	10541	80	B2-U3-G3	11379	86	B2-U3-G3	11978	91	B2-U3-G3	12577	95	B2-U3-G3	3187	32	B1-U3-G2	
			VSQ-N	12227	93	B3-U3-G2	13199	100	B3-U3-G2	13894	105	B3-U3-G2	14588	111	B3-U3-G2	3695	37	B2-U3-G1	
			VSQ-M	12138	92	B4-U3-G2	13104	99	B4-U3-G2	13794	104	B4-U3-G2	14483	110	B4-U3-G2	3669	36	B2-U3-G1	
			VSQ-W	11635	88	B4-U3-G3	12560	95	B4-U3-G3	13221	100	B4-U3-G3	13882	105	B4-U3-G3	3518	35	B2-U3-G2	
			II-HS	8511	64	B1-U3-G2	9187	70	B1-U3-G2	9671	73	B1-U3-G2	10154	77	B1-U3-G2	2572	25	B1-U3-G1	
			II-FR-HS	8601	65	B1-U3-G1	9285	70	B1-U3-G1	9773	74	B1-U3-G1	10261	78	B1-U3-G1	2600	26	B0-U3-G1	
			III-M-HS	8663	66	B1-U3-G2	9351	71	B1-U3-G2	9844	75	B1-U3-G2	10336	78	B1-U3-G2	2619	26	B0-U3-G1	
			III-W-HS	8423	64	B1-U3-G3	9093	69	B1-U3-G3	9572	73	B1-U3-G3	10050	76	B1-U3-G3	2546	25	B0-U3-G1	
			IV-HS	9010	68	B1-U3-G2	9726	74	B1-U3-G2	10238	78	B1-U3-G2	10749	81	B1-U3-G2	2723	27	B0-U3-G1	
			IV-FT-HS	8400	64	B1-U3-G3	9068	69	B1-U3-G3	9546	72	B1-U3-G3	10023	76	B1-U3-G3	2539	25	B1-U2-G1	
			80	700	174.0	II	14607	84	B3-U3-G3	15768	91	B3-U3-G3	16598	95	B3-U3-G3	17427	100	B3-U3-G3	
II-FR	14494	83				B3-U4-G2	15647	90	B3-U4-G2	16470	95	B3-U4-G2	17293	99	B3-U4-G2				
III-M	14943	86				B3-U3-G3	16132	93	B3-U3-G3	16980	98	B3-U3-G3	17829	102	B3-U3-G3				
III-W	13766	79				B2-U3-G3	14861	85	B2-U3-G4	15643	90	B2-U3-G4	16426	94	B2-U3-G4				
IV	14896	86				B2-U3-G3	16081	92	B3-U3-G3	16927	97	B3-U3-G3	17773	102	B3-U3-G3				
IV-FT	13367	77				B2-U3-G3	14430	83	B2-U3-G4	15189	87	B2-U3-G4	15948	92	B2-U3-G4				
VSQ-N	15504	89				B3-U3-G2	16737	96	B3-U4-G2	17618	101	B4-U4-G2	18499	106	B4-U4-G2				
VSQ-M	15395	88				B4-U3-G2	16619	96	B4-U3-G2	17494	101	B4-U3-G2	18368	106	B4-U3-G3				
VSQ-W	14754	85				B4-U3-G4	15928	92	B4-U3-G4	16766	96	B4-U3-G4	17604	101	B4-U3-G4				
II-HS	10793	62				B2-U3-G2	11651	67	B2-U3-G2	12264	70	B2-U3-G2	12877	74	B2-U3-G2				
II-FR-HS	10906	63				B1-U3-G2	11774	68	B1-U3-G2	12393	71	B1-U3-G2	13013	75	B1-U3-G2				
III-M-HS	10985	63				B1-U3-G2	11859	68	B1-U3-G2	12483	72	B1-U3-G2	13106	75	B2-U3-G3				
III-W-HS	10680	61				B1-U3-G3	11530	66	B1-U3-G3	12137	70	B2-U3-G3	12743	73	B2-U3-G3				
IV-HS	11425	66				B1-U3-G2	12334	71	B1-U3-G2	12983	75	B1-U3-G2	13631	78	B2-U3-G2				
IV-FT-HS	10652	61				B1-U3-G3	11500	66	B2-U3-G3	12105	70	B2-U3-G3	12710	73	B2-U3-G3				
80	875	220.0				II	17118	78	B3-U3-G3	18479	84	B3-U4-G3	19452	88	B3-U4-G3	20424	93	B3-U4-G3	N/A
			II-FR	16985	77	B3-U4-G2	18336	83	B3-U4-G2	19301	88	B3-U4-G2	20266	92	B3-U4-G3				
			III-M	17513	80	B3-U3-G3	18906	86	B3-U4-G3	19901	90	B3-U4-G3	20896	95	B3-U4-G3				
			III-W	16132	73	B2-U3-G4	17415	79	B3-U3-G4	18332	83	B3-U3-G4	19248	87	B3-U3-G4				
			IV	17457	79	B3-U3-G3	18845	86	B3-U3-G3	19837	90	B3-U4-G3	20829	95	B3-U4-G3				
			IV-FT	15665	71	B2-U3-G4	16911	77	B3-U3-G4	17801	81	B3-U3-G4	18690	85	B3-U3-G4				
			VSQ-N	18170	83	B4-U4-G2	19615	89	B4-U4-G2	20647	94	B4-U4-G2	21679	99	B4-U4-G2				
			VSQ-M	18040	82	B4-U3-G2	19474	89	B4-U3-G3	20500	93	B4-U3-G3	21525	98	B4-U3-G3				
			VSQ-W	17291	79	B4-U3-G4	18666	85	B5-U3-G4	19648	89	B5-U3-G4	20630	94	B5-U3-G4				
			II-HS	12648	57	B2-U3-G2	13654	62	B2-U3-G2	14372	65	B2-U3-G3	15091	69	B2-U3-G3				
			II-FR-HS	12781	58	B1-U3-G2	13797	63	B1-U3-G2	14524	66	B1-U3-G2	15250	69	B2-U4-G2				
			III-M-HS	12873	59	B2-U3-G3	13897	63	B2-U3-G3	14629	66	B2-U3-G3	15360	70	B2-U3-G3				
			III-W-HS	12517	57	B2-U3-G3	13513	61	B2-U3-G3	14224	65	B2-U3-G4	14934	68	B2-U3-G4				
			IV-HS	13389	61	B2-U3-G2	14453	66	B2-U3-G3	15214	69	B2-U3-G3	15974	73	B2-U3-G3				
			IV-FT-HS	12483	57	B2-U3-G3	13476	61	B2-U3-G3	14186	64	B2-U3-G3	14895	68	B2-U3-G4				

IES File downloads for this product can be found at [www.usaltg.com/downloads/asr.html](http://www.usaltg.com/downloads/asr.html)



**PHOTOMETRIC DATA GUIDE - ISOFOOTCANDLE TEMPLATES (MOZ20/26-PLED-WA)**
**MOZ20-PLED-WA-48LED-525mA-40K - 16' Mounting Height (14' Pole)**

**MOZ26-PLED-WA-80LED-700mA-40K - 20' Mounting Height (18' Pole)**


IES File downloads for this product can be found at [www.usaltg.com/downloads/asr.html](http://www.usaltg.com/downloads/asr.html)

## PHOTOMETRIC DATA GUIDE - LUMEN TABLES (MOZ20-PLED-WA)

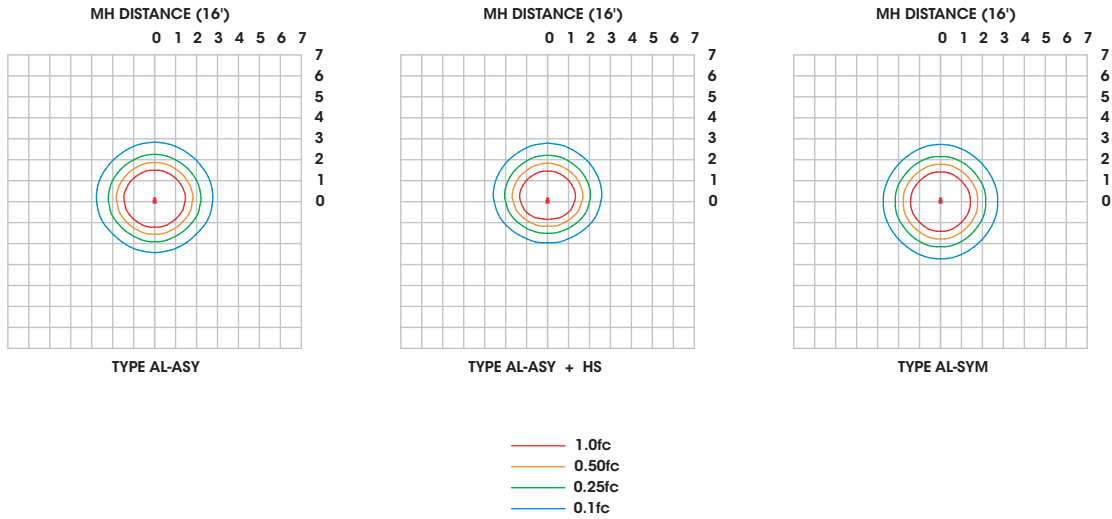
MOZ20-PLED-WA																			
LED Count	Drive Current (mA)	System Watts	Dist'n Type	27K (2700K - 70CRI)			30K (3000K - 70CRI)			40K (4000K - 70CRI)			50K (5000K - 70CRI)			System Watts	TRA (590nm)		
				LUMENS	LPW	BUG RATING	LUMENS	LPW	BUG RATING	LUMENS	LPW	BUG RATING	LUMENS	LPW	BUG RATING		LUMENS	LPW	BUG RATING
20	175	11.0	ASY-N1	867	79	B0-U3-G1	935	85	B0-U3-G1	984	89	B0-U3-G1	1033	94	B0-U3-G1	9.0	354	39	B0-U2-G1
			ASY-N2	691	63	B0-U3-G1	745	68	B0-U3-G1	785	71	B0-U3-G1	824	75	B0-U3-G1		282	31	B0-U2-G1
			ASY-W1	954	87	B0-U3-G1	1029	94	B0-U3-G1	1084	99	B1-U3-G1	1137	103	B1-U3-G1		390	43	B0-U3-G1
			ASY-W2	704	64	B0-U3-G1	760	69	B0-U3-G1	800	73	B0-U3-G1	840	76	B0-U3-G1		288	32	B0-U2-G1
			SYM	1000	91	B1-U3-G1	1079	98	B1-U3-G1	1136	103	B1-U3-G1	1193	108	B1-U3-G1		409	45	B0-U3-G1
20	350	22.0	ASY-N1	1575	72	B1-U3-G2	1699	77	B1-U3-G2	1789	81	B1-U3-G2	1878	85	B1-U3-G2	17.0	583	34	B0-U3-G1
			ASY-N2	1255	57	B0-U3-G2	1355	62	B0-U3-G2	1426	65	B1-U3-G2	1497	68	B1-U3-G2		465	27	B0-U3-G1
			ASY-W1	1733	79	B1-U3-G2	1870	85	B1-U3-G2	1969	89	B1-U3-G2	2067	94	B1-U3-G2		642	38	B0-U3-G1
			ASY-W2	1279	58	B0-U3-G1	1381	63	B1-U3-G1	1454	66	B1-U3-G2	1526	69	B1-U3-G2		474	28	B0-U3-G1
			SYM	1817	83	B1-U3-G1	1962	89	B1-U3-G2	2065	94	B1-U3-G2	2168	99	B1-U3-G2		673	40	B0-U3-G1
20	525	33.0	ASY-N1	2267	69	B1-U3-G2	2448	74	B1-U3-G2	2576	78	B1-U3-G2	2705	82	B1-U3-G2	25.0	685	27	B0-U3-G1
			ASY-N2	1807	55	B1-U3-G2	1951	59	B1-U3-G2	2053	62	B1-U3-G2	2155	65	B1-U3-G2		546	22	B0-U3-G1
			ASY-W1	2495	76	B1-U3-G2	2693	82	B1-U3-G2	2835	86	B1-U3-G2	2977	90	B1-U3-G2		754	30	B0-U3-G1
			ASY-W2	1842	56	B1-U3-G2	1989	60	B1-U3-G2	2094	63	B1-U3-G2	2198	67	B1-U3-G2		557	22	B0-U3-G1
			SYM	2616	79	B1-U3-G2	2825	86	B1-U3-G2	2973	90	B1-U3-G2	3122	95	B1-U3-G2		791	32	B1-U3-G1
20	700	44.0	ASY-N1	2875	65	B1-U3-G2	3103	71	B1-U3-G3	3267	74	B1-U3-G3	3430	78	B1-U3-G3	N/A	N/A		
			ASY-N2	2291	52	B1-U3-G2	2473	56	B1-U3-G2	2604	59	B1-U3-G2	2734	62	B1-U3-G3		N/A		
			ASY-W1	3163	72	B1-U3-G2	3415	78	B1-U3-G2	3595	82	B1-U3-G2	3775	86	B1-U4-G3		N/A		
			ASY-W2	2337	53	B1-U3-G2	2522	57	B1-U3-G2	2655	60	B1-U3-G2	2788	63	B1-U3-G2		N/A		
			SYM	3318	75	B2-U3-G2	3582	81	B2-U3-G2	3771	86	B2-U4-G2	3959	90	B2-U4-G2		N/A		
20	875	55.0	ASY-N1	3370	61	B1-U3-G3	3637	66	B1-U3-G3	3829	70	B1-U4-G3	4020	73	B1-U4-G3	N/A	N/A		
			ASY-N2	2686	49	B1-U3-G3	2899	53	B1-U3-G3	3052	55	B1-U3-G3	3204	58	B1-U3-G3		N/A		
			ASY-W1	3709	67	B1-U4-G2	4003	73	B1-U4-G3	4214	77	B1-U4-G3	4425	80	B1-U4-G3		N/A		
			ASY-W2	2738	50	B1-U3-G2	2956	54	B1-U3-G2	3111	57	B1-U3-G2	3267	59	B1-U3-G2		N/A		
			SYM	3889	71	B2-U4-G2	4199	76	B2-U4-G2	4420	80	B2-U4-G3	4640	84	B2-U4-G3		N/A		
36	175	19.8	ASY-N1	1559	79	B1-U3-G2	1683	85	B1-U3-G2	1771	89	B1-U3-G3	1859	94	B1-U3-G2	16.0	638	40	B0-U3-G1
			ASY-N2	1243	63	B0-U3-G2	1341	68	B0-U3-G2	1412	71	B0-U3-G2	1482	75	B1-U3-G2		508	32	B0-U3-G1
			ASY-W1	1716	87	B1-U3-G2	1852	94	B1-U3-G2	1950	98	B1-U3-G2	2047	103	B1-U3-G2		701	44	B0-U3-G1
			ASY-W2	1267	64	B0-U3-G1	1367	69	B1-U3-G1	1439	73	B1-U3-G1	1511	76	B1-U3-G2		518	32	B0-U3-G1
			SYM	1799	91	B1-U3-G1	1942	98	B1-U3-G2	2045	103	B1-U3-G2	2146	108	B1-U3-G2		736	46	B1-U3-G1
36	350	39.6	ASY-N1	2834	72	B1-U3-G2	3059	77	B1-U3-G3	3220	81	B1-U3-G3	3381	85	B1-U3-G3	30.5	1050	34	B0-U3-G1
			ASY-N2	2259	57	B1-U3-G2	2438	62	B1-U3-G2	2566	65	B1-U3-G2	2694	68	B1-U3-G3		836	27	B0-U3-G1
			ASY-W1	3119	79	B1-U3-G2	3367	85	B1-U3-G2	3544	89	B1-U3-G2	3721	94	B1-U4-G2		1156	38	B1-U3-G1
			ASY-W2	2303	58	B1-U3-G2	2486	63	B1-U3-G2	2617	66	B1-U3-G2	2747	69	B1-U3-G2		853	28	B0-U3-G1
			SYM	3271	83	B1-U3-G2	3531	89	B2-U3-G2	3717	94	B2-U4-G2	3903	99	B2-U4-G2		1212	40	B1-U3-G1
36	525	59.4	ASY-N1	4081	69	B1-U4-G3	4405	74	B1-U4-G3	4637	78	B1-U4-G3	4869	82	B1-U4-G3	45.7	1234	27	B1-U3-G1
			ASY-N2	3252	55	B1-U3-G3	3510	59	B1-U3-G3	3696	62	B1-U3-G3	3880	65	B1-U4-G3		983	22	B0-U3-G1
			ASY-W1	4491	76	B1-U4-G3	4848	82	B2-U4-G3	5103	86	B2-U4-G3	5358	90	B2-U4-G3		1358	30	B1-U3-G1
			ASY-W2	3316	56	B1-U3-G3	3579	60	B1-U3-G3	3768	63	B1-U4-G3	3956	67	B1-U4-G3		1002	22	B0-U3-G1
			SYM	4710	79	B2-U4-G3	5084	86	B2-U4-G3	5352	90	B2-U4-G3	5619	95	B2-U4-G3		1424	31	B1-U3-G1
36	700	79.2	ASY-N1	5175	65	B1-U4-G3	5586	71	B2-U4-G3	5880	74	B2-U4-G3	6174	78	B2-U4-G3	N/A	N/A		
			ASY-N2	4124	52	B1-U4-G3	4452	56	B1-U4-G3	4686	59	B1-U4-G3	4920	62	B1-U4-G3		N/A		
			ASY-W1	5695	72	B2-U4-G3	6148	78	B2-U4-G3	6471	82	B2-U4-G3	6795	86	B2-U4-G3		N/A		
			ASY-W2	4205	53	B1-U4-G3	4539	57	B1-U4-G3	4779	60	B1-U4-G3	5018	63	B1-U4-G3		N/A		
			SYM	5973	75	B2-U4-G3	6447	81	B2-U4-G3	6787	86	B3-U4-G3	7126	90	B3-U4-G3		N/A		
36	875	99.0	ASY-N1	6065	61	B2-U4-G3	6547	66	B2-U4-G3	6892	70	B2-U4-G4	7237	73	B2-U4-G4	N/A	N/A		
			ASY-N2	4834	49	B1-U4-G3	5218	53	B1-U4-G3	5493	55	B1-U4-G3	5767	58	B1-U4-G3		N/A		
			ASY-W1	6675	67	B2-U4-G3	7205	73	B2-U4-G3	7585	77	B2-U5-G3	7963	80	B2-U5-G3		N/A		
			ASY-W2	4929	50	B1-U4-G3	5320	54	B1-U4-G3	5600	57	B1-U4-G3	5880	59	B1-U4-G3		N/A		
			SYM	7000	71	B3-U4-G3	7556	76	B3-U5-G3	7954	80	B3-U5-G3	8352	84	B3-U5-G3		N/A		
48	175	26.4	ASY-N1	1912	72	B1-U3-G2	2064	78	B1-U3-G2	2173	82	B1-U3-G2	2281	86	B1-U3-G2	21.0	782	37	B0-U3-G1
			ASY-N2	1524	58	B1-U3-G2	1645	62	B1-U3-G2	1732	66	B1-U3-G2	1818	69	B1-U3-G2		623	30	B0-U3-G1
			ASY-W1	2105	80	B1-U3-G2	2271	86	B1-U3-G2	2391	91	B1-U3-G2	2511	95	B1-U3-G2		861	41	B0-U3-G1
			ASY-W2	1554	59	B1-U3-G2	1677	64	B1-U3-G2	1766	67	B1-U3-G2	1854	70	B1-U3-G2		635	30	B0-U3-G1
			SYM	2208	84	B1-U3-G2	2383	90	B1-U3-G2	2508	95	B1-U3-G2	2633	100	B1-U3-G2		902	43	B1-U3-G1
48	350	52.8	ASY-N1	3476	66	B1-U3-G3	3752	71	B1-U3-G3	3950	75	B1-U4-G3	4147	79	B1-U4-G3	40.7	1288	32	B1-U3-G1
			ASY-N2	2771	52	B1-U3-G3	2991	57	B1-U3-G3	3148	60	B1-U3-G3	3305	63	B1-U3-G3		1026	25	B0-U3-G1
			ASY-W1	3826	72	B1-U4-G3	4130	78	B1-U4-G3	4348	82	B1-U4-G3	4565	86	B1-U4-G3		1417	35	B1-U3-G1
			ASY-W2	2825	53	B1-U3-G2	3049	58	B1-U3-G2	3210	61	B1-U3-G2	3370	64	B1-U3-G3		1046	26	B0-U3-G1
			SYM	4013	76	B2-U4-G2	4332	82	B2-U4-G3	4560	86	B2-U4-G3	4787	91	B2-U4-G3		1487	37	B1-U3-G1
48	525	79.2	ASY-N1	5006	63	B1-U4-G3	5404	68	B1-U4-G3	5689	72	B2-U4-G3	5973	75	B2-U4-G3	61.0	1513	25	B1-U3-G2
			ASY-N2	3990	50	B1-U4-G3	4307	54	B1-U4-G3	4534	57	B1-U4-G3	4761	60	B1-U4-G3		1206	20	B0-U3-G2
			ASY-W1	5510	70	B2-U4-G3	5948	75	B2-U4-G3	6261	79	B2-U4-G3	6573	83	B2-U4-G3		1666	27	B1-U3-G1
			ASY-W2	4068	51	B1-U4-G3	4391	55	B1-U4-G3	4622	58	B1-U4-G3	4853	61	B1-U4-G3		1230	20	B0-U3-G1
			SYM	5777	73	B2-U4-G3	6237	79	B2-U4-G3	6566	83	B2-U4-G3	6893	87	B3-U4-G3		1746	29	B1-U3-G1
48	700	105.6	ASY-N1	6348	60	B2-U4-G3	6853	65	B2-U4-G4	7213	68	B2-U4-G4	7574	72	B2-U4-G4	N/A	N/A		
			ASY-N2	5059	48	B1-U4-G3	5461	52	B1-U4-G3	5749	54	B1-U4-G3	6037	57	B1-U4-G4		N/A		
			ASY-W1	6987	66	B2-U4-G3	7542	71	B2-U5-G3	7939	75	B2-U5-G3	8336	79	B2-U5-G3		N/A		
			ASY-W2	5158	49	B1-U4-G3	5569	53	B1-U4-G3	5862	56	B1-U4-G3	6154	58	B2-U4-G3		N/A		
			SYM	7327	69	B3-U5-G3	7910	75	B3-U5-G3	8325	79	B3-U5-G3	8741	83	B3-U5-G3		N/A		
48	875	132.0	ASY-N1	7440	56	B2-U4-G4	8031	61	B2-U5-G4	8454	64	B2-U5-G4	8877	67	B2-U5-G4	N/A	N/A		
			ASY-N2	5930	45	B1-U4-G4	6401	48	B1-U4-G4	6738	51	B2-U4-G4	7075	54	B2-U4-G4		N/A		
			ASY-W1	8187	62	B2-U5-G3	8838	67	B2-U5-G4	9304									

## PHOTOMETRIC DATA GUIDE - LUMEN TABLES (MOZ26-PLED-WA)

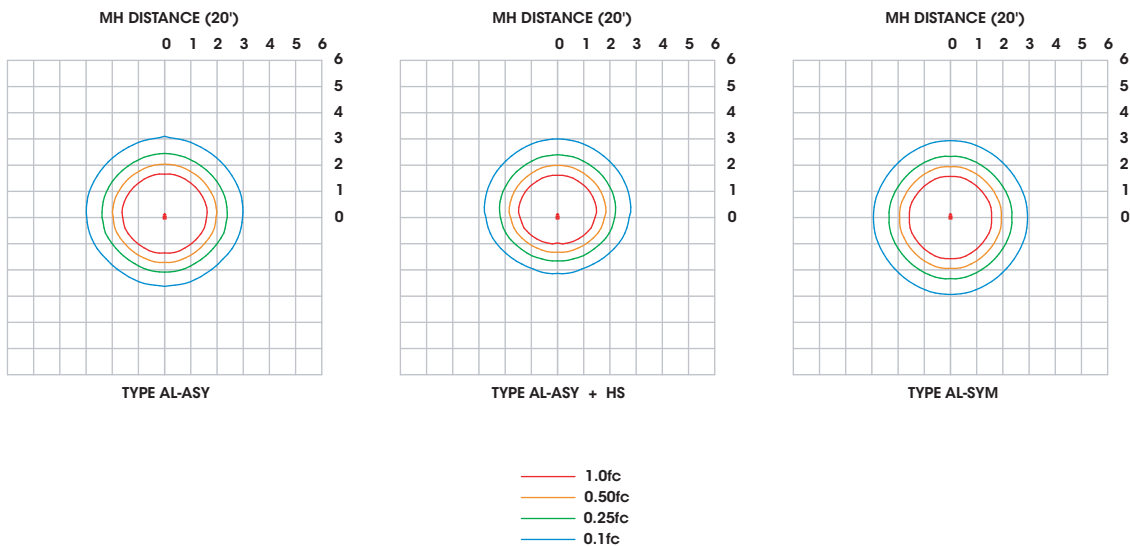
MOZ26-PLED-WA																			
LED Count	Drive Current (mA)	System Watts	Dist'n Type	27K (2700K - 70CRI)			30K (3000K - 70CRI)			40K (4000K - 70CRI)			50K (5000K - 70CRI)			System Watts	TRA (590nm)		
				LUMENS	LPW	BUG RATING	LUMENS	LPW	BUG RATING	LUMENS	LPW	BUG RATING	LUMENS	LPW	BUG RATING		LUMENS	LPW	BUG RATING
36	175	19.8	ASY-N1	1559	79	B1-U3-G2	1683	85	B1-U3-G2	1771	89	B1-U3-G2	1859	94	B1-U3-G2	16.0	638	40	B0-U3-G1
			ASY-N2	1243	63	B0-U3-G2	1341	68	B0-U3-G2	1412	71	B0-U3-G2	1482	75	B1-U3-G2		508	32	B0-U3-G1
			ASY-W1	1716	87	B1-U3-G2	1852	94	B1-U3-G2	1950	98	B1-U3-G2	2047	103	B1-U3-G2		701	44	B0-U3-G1
			ASY-W2	1267	64	B0-U3-G1	1367	69	B1-U3-G1	1439	73	B1-U3-G1	1511	76	B1-U3-G2		518	32	B0-U3-G1
			SYM	1799	91	B1-U3-G1	1942	98	B1-U3-G2	2045	103	B1-U3-G2	2146	108	B1-U3-G2		736	46	B1-U3-G1
36	350	39.6	ASY-N1	2834	72	B1-U3-G2	3059	77	B1-U3-G3	3220	81	B1-U3-G3	3381	85	B1-U3-G3	30.5	1050	34	B0-U3-G1
			ASY-N2	2259	57	B1-U3-G2	2438	62	B1-U3-G2	2566	65	B1-U3-G2	2694	68	B1-U3-G3		836	27	B0-U3-G1
			ASY-W1	3119	79	B1-U3-G2	3367	85	B1-U3-G2	3544	89	B1-U3-G2	3721	94	B1-U4-G2		1156	38	B1-U3-G1
			ASY-W2	2303	58	B1-U3-G2	2486	63	B1-U3-G2	2617	66	B1-U3-G2	2747	69	B1-U3-G2		853	28	B0-U3-G1
			SYM	3271	83	B1-U3-G2	3531	89	B2-U3-G2	3717	94	B2-U4-G2	3903	99	B2-U4-G2		1212	40	B1-U3-G1
36	525	59.4	ASY-N1	4081	69	B1-U4-G3	4405	74	B1-U4-G3	4637	78	B1-U4-G3	4869	82	B1-U4-G3	45.7	1234	27	B1-U3-G1
			ASY-N2	3252	55	B1-U3-G3	3510	59	B1-U3-G3	3696	62	B1-U3-G3	3880	65	B1-U4-G3		983	22	B0-U3-G1
			ASY-W1	4491	76	B1-U4-G3	4848	82	B2-U4-G3	5103	86	B2-U4-G3	5358	90	B2-U4-G3		1358	30	B1-U3-G1
			ASY-W2	3316	56	B1-U3-G3	3579	60	B1-U3-G3	3768	63	B1-U4-G3	3956	67	B1-U4-G3		1002	22	B0-U3-G1
			SYM	4710	79	B2-U4-G3	5084	86	B2-U4-G3	5352	90	B2-U4-G3	5619	95	B2-U4-G3		1424	31	B1-U3-G1
36	700	79.2	ASY-N1	5175	65	B1-U4-G3	5586	71	B2-U4-G3	5880	74	B2-U4-G3	6174	78	B2-U4-G3	N/A	N/A		
			ASY-N2	4124	52	B1-U4-G3	4452	56	B1-U4-G3	4686	59	B1-U4-G3	4920	62	B1-U4-G3		N/A		
			ASY-W1	5695	72	B2-U4-G3	6148	78	B2-U4-G3	6471	82	B2-U4-G3	6795	86	B2-U4-G3		N/A		
			ASY-W2	4205	53	B1-U4-G3	4539	57	B1-U4-G3	4779	60	B1-U4-G3	5018	63	B1-U4-G3		N/A		
			SYM	5973	75	B2-U4-G3	6447	81	B2-U4-G3	6787	86	B3-U4-G3	7126	90	B3-U4-G3		N/A		
36	875	99.0	ASY-N1	6065	61	B2-U4-G3	6547	66	B2-U4-G3	6892	70	B2-U4-G4	7237	73	B2-U4-G4	N/A	N/A		
			ASY-N2	4834	49	B1-U4-G3	5218	53	B1-U4-G3	5493	55	B1-U4-G3	5767	58	B1-U4-G3		N/A		
			ASY-W1	6675	67	B2-U4-G3	7205	73	B2-U4-G3	7585	77	B2-U5-G3	7963	80	B2-U5-G3		N/A		
			ASY-W2	4929	50	B1-U4-G3	5320	54	B1-U4-G3	5600	57	B1-U4-G3	5880	59	B1-U4-G3		N/A		
			SYM	7000	71	B3-U4-G3	7556	76	B3-U5-G3	7954	80	B3-U5-G3	8352	84	B3-U5-G3		N/A		
48	175	26.4	ASY-N1	2078	79	B1-U3-G2	2243	85	B1-U3-G2	2362	89	B1-U3-G2	2479	94	B1-U3-G2	21.0	850	40	B0-U3-G1
			ASY-N2	1657	63	B1-U3-G2	1788	68	B1-U3-G2	1883	71	B1-U3-G2	1976	75	B1-U3-G2		677	32	B0-U3-G1
			ASY-W1	2288	87	B1-U3-G2	2469	94	B1-U3-G2	2599	98	B1-U3-G2	2729	103	B1-U3-G2		936	45	B0-U3-G1
			ASY-W2	1689	64	B1-U3-G2	1823	69	B1-U3-G2	1919	73	B1-U3-G2	2015	76	B1-U3-G2		691	33	B0-U3-G1
			SYM	2399	91	B1-U3-G2	2589	98	B1-U3-G2	2726	103	B1-U3-G2	2862	108	B1-U3-G2		981	47	B1-U3-G1
48	350	52.8	ASY-N1	3778	72	B1-U3-G3	4079	77	B1-U4-G3	4294	81	B1-U4-G3	4508	85	B1-U4-G3	40.7	1400	34	B1-U3-G2
			ASY-N2	3011	57	B1-U3-G3	3251	62	B1-U3-G3	3422	65	B1-U3-G3	3593	68	B1-U3-G3		1116	27	B0-U3-G1
			ASY-W1	4159	79	B1-U4-G3	4489	85	B1-U4-G3	4726	90	B1-U4-G3	4962	94	B2-U4-G3		1541	38	B1-U3-G1
			ASY-W2	3070	58	B1-U3-G2	3314	63	B1-U3-G3	3489	66	B1-U3-G3	3663	69	B1-U4-G3		1138	28	B0-U3-G1
			SYM	4361	83	B2-U4-G3	4707	89	B2-U4-G3	4956	94	B2-U4-G3	5204	99	B2-U4-G3		1616	40	B1-U3-G1
48	525	79.2	ASY-N1	5442	69	B1-U4-G3	5874	74	B2-U4-G3	6183	78	B2-U4-G3	6492	82	B2-U4-G3	61.0	1645	27	B1-U3-G2
			ASY-N2	4337	55	B1-U4-G3	4681	59	B1-U4-G3	4928	62	B1-U4-G3	5174	65	B1-U4-G3		1311	21	B0-U3-G2
			ASY-W1	5989	76	B2-U4-G3	6464	82	B2-U4-G3	6805	86	B2-U4-G3	7145	90	B2-U4-G3		1810	30	B1-U3-G2
			ASY-W2	4421	56	B1-U4-G3	4773	60	B1-U4-G3	5024	63	B1-U4-G3	5275	67	B1-U4-G3		1336	22	B1-U3-G1
			SYM	6280	79	B2-U4-G3	6779	86	B3-U4-G3	7136	90	B3-U4-G3	7493	95	B3-U5-G3		1899	31	B1-U3-G2
48	700	105.6	ASY-N1	6900	65	B2-U4-G4	7448	71	B2-U4-G4	7840	74	B2-U5-G4	8232	78	B2-U5-G4	N/A	N/A		
			ASY-N2	5499	52	B1-U4-G3	5936	56	B1-U4-G4	6249	59	B1-U4-G4	6561	62	B2-U4-G4		N/A		
			ASY-W1	7594	72	B2-U5-G3	8197	78	B2-U5-G3	8629	82	B2-U5-G4	9060	86	B2-U5-G4		N/A		
			ASY-W2	5607	53	B1-U4-G3	6052	57	B2-U4-G3	6371	60	B2-U4-G3	6690	63	B2-U4-G3		N/A		
			SYM	7964	75	B3-U5-G3	8597	81	B3-U5-G3	9050	86	B3-U5-G3	9502	90	B3-U5-G4		N/A		
48	875	132.0	ASY-N1	8086	61	B2-U5-G4	8729	66	B2-U5-G4	9189	70	B2-U5-G4	9648	73	B2-U5-G4	N/A	N/A		
			ASY-N2	6445	49	B2-U4-G4	6958	53	B2-U4-G4	7324	55	B2-U4-G4	7689	58	B2-U5-G4		N/A		
			ASY-W1	8899	67	B2-U5-G4	9607	73	B3-U5-G4	10113	77	B3-U5-G4	10618	80	B3-U5-G4		N/A		
			ASY-W2	6571	50	B2-U4-G3	7093	54	B2-U4-G3	7467	57	B2-U5-G4	7840	59	B2-U5-G4		N/A		
			SYM	9333	71	B3-U5-G3	10076	76	B3-U5-G4	10606	80	B3-U5-G4	11136	84	B3-U5-G4		N/A		
80	175	44.0	ASY-N1	3187	72	B1-U3-G3	3440	78	B1-U3-G3	3622	82	B1-U3-G3	3803	86	B1-U4-G3	34.0	1304	38	B1-U3-G1
			ASY-N2	2540	58	B1-U3-G2	2742	62	B1-U3-G3	2886	66	B1-U3-G3	3030	69	B1-U3-G3		1039	31	B0-U3-G1
			ASY-W1	3507	80	B1-U3-G2	3786	86	B1-U4-G3	3986	91	B1-U4-G3	4184	95	B1-U4-G3		1435	42	B1-U3-G1
			ASY-W2	2590	59	B1-U3-G2	2796	64	B1-U3-G2	2943	67	B1-U3-G2	3089	70	B1-U3-G2		1059	31	B0-U3-G1
			SYM	3679	84	B2-U4-G2	3970	90	B2-U4-G2	4180	95	B2-U4-G2	4389	100	B2-U4-G3		1505	44	B1-U3-G1
80	350	88.0	ASY-N1	5794	66	B2-U4-G3	6254	71	B2-U4-G3	6584	75	B2-U4-G4	6913	79	B2-U4-G4	67.0	2146	32	B1-U3-G2
			ASY-N2	4618	52	B1-U4-G3	4985	57	B1-U4-G3	5248	60	B1-U4-G3	5510	63	B1-U4-G3		1711	26	B1-U3-G2
			ASY-W1	6376	72	B2-U4-G3	6883	78	B2-U4-G3	7246	82	B2-U5-G3	7608	86	B2-U5-G3		2363	35	B1-U3-G2
			ASY-W2	4708	54	B1-U4-G3	5082	58	B1-U4-G3	5350	61	B1-U4-G3	5617	64	B1-U4-G3		1744	26	B1-U3-G2
			SYM	6688	76	B3-U4-G3	7219	82	B3-U4-G3	7599	86	B3-U5-G3	7979	91	B3-U5-G3		2477	37	B1-U3-G2
80	525	132.0	ASY-N1	8343	63	B2-U5-G4	9007	68	B2-U5-G4	9481	72	B2-U5-G4	9955	75	B2-U5-G5	101.0	2522	25	B1-U3-G2
			ASY-N2	6650	50	B2-U4-G4	7179	54	B2-U4-G4	7557	57	B2-U5-G4	7934	60	B2-U5-G4		2010	20	B1-U3-G2
			ASY-W1	9182	70	B2-U5-G4	9913	75	B3-U5-G4	10434	79	B3-U5-G4	10956	83	B3-U5-G4		2775	27	B1-U3-G2
			ASY-W2	6779	51	B2-U4-G3	7319	55	B2-U5-G4	7704	58	B2-U5-G4	8088	61	B2-U5-G4		2049	20	B1-U3-G2
			SYM	9629	73	B3-U5-G4	10395	79	B3-U5-G4	10942	83	B3-U5-G4	11489	87	B3-U5-G4		2910	29	B1-U3-G2
80	700	174.0	ASY-N1	10579	61	B2-U5-G5	11421	66	B3-U5-G5	12022	69	B3-U5-G5	12623	73	B3-U5-G5	N/A	N/A		
			ASY-N2	8432	48	B2-U5-G4	9103	52	B2-U5-G5	9582	55	B2-U5-G5	10061	58	B2-U5-G5		N/A		
			ASY-W1	11643	67	B3-U5-G4	12570	72	B3-U5-G5	13231	76	B3-U5-G5	13893	80	B3-U5-G5		N/A		
			ASY-W2	8597	49	B2-U5-G4	9281	53	B2-U5-G4	9769	56	B2-U5-G4	10257	59	B2-U5-G4		N/A		
			SYM	12209	70	B3-U5-G4	13181	76	B3-U5-G4	13875	80	B3-U5-G4	14568	84	B3-U5-G5		N/A		
80	875	220.0	ASY-N1	12398	56	B3-U5-G5	13385	61	B3-U5-G5	14089	64	B3-U5-G5	14793	67	B3-U5-G5	N/A	N/A		
			ASY-N2	9881	45	B2-U5-G5	10667	48	B2-U5-G5	11229	51	B2-U5-G5	11790	54	B2-U5-G5		N/A		
			ASY-W1	13															

## PHOTOMETRIC DATA GUIDE - ISOFOOTCANDLE TEMPLATES (MOZ20/26-PLED-AL)

### MOZ20-PLED-AL-48LED-525mA-40K - 16' Mounting Height (14' Pole)



### MOZ26-PLED-AL-80LED-700mA-40K - 20' Mounting Height (18' Pole)



IES File downloads for this product can be found at [www.usaltg.com/downloads/asr.html](http://www.usaltg.com/downloads/asr.html)

## PHOTOMETRIC DATA GUIDE - LUMEN TABLES (MOZ20-PLED-AL)

MOZ20-PLED-AL																			
LED Count	Drive Current (mA)	System Watts	Dist'n Type	27K (2700K - 70CRI)			30K (3000K - 70CRI)			40K (4000K - 70CRI)			50K (5000K - 70CRI)			System Watts	TRA (590nm)		
				LUMENS	LPW	BUG RATING	LUMENS	LPW	BUG RATING	LUMENS	LPW	BUG RATING	LUMENS	LPW	BUG RATING		LUMENS	LPW	BUG RATING
48	175	27.0	ASY	1989	74	B1-U0-G1	2147	80	B1-U0-G1	2260	84	B1-U0-G1	2373	88	B1-U0-G1	21.0	814	39	B0-U0-G0
			SYM	1986	74	B1-U0-G1	2144	79	B1-U0-G1	2257	84	B1-U0-G1	2369	88	B1-U0-G1		812	39	B1-U0-G0
			ASY-HS	1436	53	B1-U0-G1	1550	57	B1-U0-G1	1631	60	B1-U0-G1	1713	63	B1-U0-G1		587	28	B0-U0-G0
48	350	52.5	ASY	3616	69	B1-U0-G1	3904	74	B1-U0-G1	4109	78	B2-U0-G1	4315	82	B2-U0-G1	41.0	1340	33	B1-U0-G1
			SYM	3610	69	B2-U0-G1	3897	74	B2-U0-G1	4103	78	B2-U0-G1	4308	82	B2-U0-G1		1337	33	B1-U0-G0
			ASY-HS	2610	50	B1-U0-G1	2818	54	B1-U0-G1	2966	56	B1-U0-G1	3114	59	B1-U0-G1		967	24	B0-U0-G0
48	525	79.0	ASY	5208	66	B2-U0-G1	5622	71	B2-U0-G1	5918	75	B2-U0-G2	6213	79	B2-U0-G2	62.0	1574	25	B1-U0-G1
			SYM	5199	66	B2-U0-G1	5612	71	B2-U0-G1	5907	75	B2-U0-G1	6203	79	B2-U0-G1		1571	25	B1-U0-G0
			ASY-HS	3759	48	B1-U0-G1	4058	51	B1-U0-G1	4271	54	B1-U0-G1	4485	57	B1-U0-G1		1136	18	B0-U0-G0
48	700	105.1	ASY	6603	63	B2-U0-G2	7128	68	B2-U0-G2	7504	71	B2-U0-G2	7879	75	B2-U0-G2	N/A	N/A		
			SYM	6592	63	B2-U0-G1	7116	68	B2-U0-G1	7491	71	B2-U0-G1	7866	75	B2-U0-G1				
			ASY-HS	4767	45	B1-U0-G1	5146	49	B1-U0-G1	5417	52	B2-U0-G1	5687	54	B2-U0-G1				
48	875	131.8	ASY	7562	57	B2-U0-G2	8163	62	B2-U0-G2	8593	65	B2-U0-G2	9023	68	B2-U0-G2	N/A	N/A		
			SYM	7549	57	B2-U0-G1	8149	62	B2-U0-G1	8578	65	B3-U0-G1	9007	68	B3-U0-G1				
			ASY-HS	5458	41	B2-U0-G1	5892	45	B2-U0-G1	6203	47	B2-U0-G1	6512	49	B2-U0-G1				

## PHOTOMETRIC DATA GUIDE - LUMEN TABLES (MOZ26-PLED-AL)

MOZ26-PLED-AL																			
LED Count	Drive Current (mA)	System Watts	Dist'n Type	27K (2700K - 70CRI)			30K (3000K - 70CRI)			40K (4000K - 70CRI)			50K (5000K - 70CRI)			System Watts	TRA (590nm)		
				LUMENS	LPW	BUG RATING	LUMENS	LPW	BUG RATING	LUMENS	LPW	BUG RATING	LUMENS	LPW	BUG RATING		LUMENS	LPW	BUG RATING
80	175	44.0	ASY	3315	75	B1-U0-G1	3578	81	B1-U0-G1	3767	86	B1-U0-G1	3955	90	B1-U0-G1	34.0	1356	40	B1-U0-G1
			SYM	3310	75	B1-U0-G1	3573	81	B2-U0-G1	3761	85	B2-U0-G1	3949	90	B2-U0-G1		1354	40	B1-U0-G0
			ASY-HS	2393	54	B1-U0-G1	2583	59	B1-U0-G1	2719	62	B1-U0-G1	2855	65	B1-U0-G1		979	29	B0-U0-G0
80	350	86.0	ASY	6027	70	B2-U0-G2	6507	76	B2-U0-G2	6849	80	B2-U0-G2	7191	84	B2-U0-G2	67.0	2233	33	B1-U0-G1
			SYM	6017	70	B2-U0-G1	6495	76	B2-U0-G1	6837	80	B2-U0-G1	7179	83	B2-U0-G1		2229	33	B1-U0-G1
			ASY-HS	4351	51	B1-U0-G1	4696	55	B1-U0-G1	4944	57	B1-U0-G1	5191	60	B2-U0-G1		1612	24	B1-U0-G1
80	525	130.0	ASY	8679	67	B2-U0-G2	9370	72	B2-U0-G2	9863	76	B2-U0-G2	10356	80	B3-U0-G2	101.0	2624	26	B1-U0-G1
			SYM	8665	67	B3-U0-G1	9354	72	B3-U0-G1	9846	76	B3-U0-G1	10338	80	B3-U0-G1		2619	26	B1-U0-G1
			ASY-HS	6265	48	B2-U0-G1	6763	52	B2-U0-G1	7119	55	B2-U0-G1	7475	57	B2-U0-G1		1894	19	B1-U0-G1
80	700	174.0	ASY	11006	63	B3-U0-G2	11881	68	B3-U0-G3	12506	72	B3-U0-G3	13132	75	B3-U0-G3	N/A	N/A		
			SYM	10987	63	B3-U0-G1	11861	68	B3-U0-G1	12485	72	B3-U0-G1	13109	75	B3-U0-G1				
			ASY-HS	7944	46	B2-U0-G2	8576	49	B2-U0-G2	9027	52	B2-U0-G2	9479	54	B2-U0-G2				
80	875	216.0	ASY	12603	58	B3-U0-G3	13605	63	B3-U0-G3	14321	66	B3-U0-G3	15038	70	B3-U0-G3	N/A	N/A		
			SYM	12581	58	B3-U0-G1	13582	63	B3-U0-G1	14297	66	B3-U0-G1	15012	69	B3-U0-G1				
			ASY-HS	9097	42	B2-U0-G2	9821	45	B2-U0-G2	10338	48	B2-U0-G2	10854	50	B2-U0-G2				

IES File downloads for this product can be found at [www.usaltg.com/downloads/asr.html](http://www.usaltg.com/downloads/asr.html)