

AREA & ROADWAY LIGHTING

OV SERIES - PLED

Luminaire

Heavy gauge formed aluminum reflector. Top is hinged for access. Pendant Mount uses Trulevel™ ball coupling mount. All hardware is stainless steel. Optional High Impact Acrylic Lens provided with durable corrosion resistant cast aluminum housing and cage. True Level Pendant Mount Coupling System provided as standard.

PLED™ Optics

Emitters (LED's) are arrayed on a metal core PCB panel with each emitter located on a copper thermal transfer pad and enclosed by an LED refractor. LED optics completely seal each individual emitter to meet an IP66 rating. In asymmetric distributions, a micro-reflector inside the refractor re-directs the house side emitter output towards the street side, maximizing usable light. Optional house side shields are available that cover each individual optic. Refractors are injection molded H12 acrylic. Each LED refractor is sealed to the PCB over an emitter and all refractors are retained by an aluminum frame. Any one Panel, or group of Panels in a luminaire, have the same optical pattern. LED refractors produce standard site/area distributions. Panels are field replaceable and field rotatable in 90° increments. Quick-disconnects are provided above each panel for fast field replacement. No lens (NL) will provide "U0" no uplight optical packages that are Dark Sky friendly.

LED Emitters

LED thermal management is designed to maintain LED operating temperature below 90 °C, well below the manufacturers thermal max of 150 °C for long life, high lumen maintenance and color stability. High Power White LED's are driven between 350mA and 875mA for a maximum output of 2.5 Watts nominal. LED's are available in standard 2700K & 3000K, 4000K, or 5000K. All Standard LED's have a minimum of 70 CRI. Consult Factory for other LED options. Lumen Maintenance of L94 at 60,000 hours (TM-21 calculated at 6x Test Time).

LED Driver

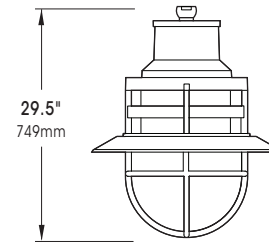
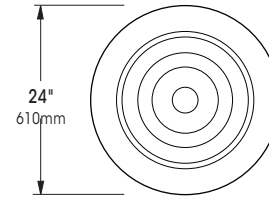
Constant current electronic with a power factor of >.90 and a minimum operating temperature of -40°F/-40°C. Driver(s) is/are UL and cUL recognized. In-line terminal blocks facilitate wiring between the driver and optical arrays. Drivers accept an input of 120-277V, 50/60Hz or 347V-480V, 50,60Hz. (0 - 10V dimmable driver is standard. Driver has a minimum of 3KV internal surge protection. Luminaire supplied with 20KV surge protector for field installation.)

Finish

Super TGIC polyester powder coating is applied onto a metal substrate this has been pretreated with a four-stage process for maximum adhesion and color retention. The top coat is baked at 400° F for maximum hardness and exterior durability.

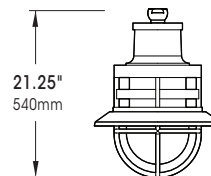
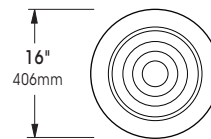
PROJECT NAME: _____

PROJECT TYPE: _____



OV1*

* No Lens option shown w/ XBC Arm



OV2*

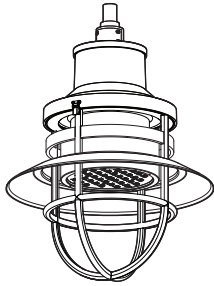
* Sandblasted Clear Acrylic Lens option shown w/ XBC Arm



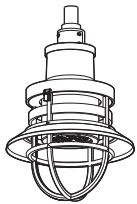
2025023

SPECIFICATIONS

EPA & WEIGHT



OV1-LED
E.P.A. = 1.85
Max Weight: 35lbs
36 LED Max



OV2-LED
E.P.A. = 0.82
Max Weight: 25lbs
12 LED Max

PLED™ MODULES



36 LED Module

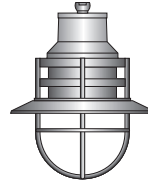


20 LED Module

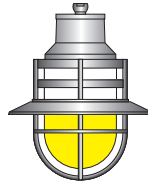
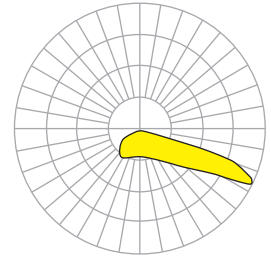


12 LED Module

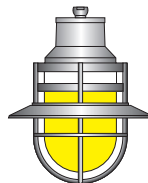
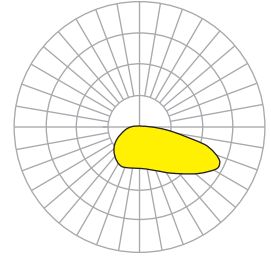
LENS OPTIONS



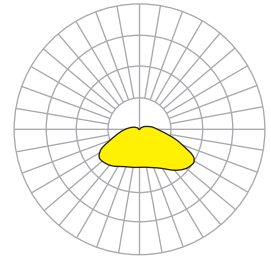
NL - No Lens
Precise Optics With Cutoff - Zero Uplight Optics
Highest Efficacy & Coverage



CSA - Clear Sandblasted Acrylic Lens
Diffused Optics With Some Uplight
Glare Control



WA - White Acrylic Lens
Luminous Lens With Uplight
Maximum Glare Control



ORDERING INFORMATION

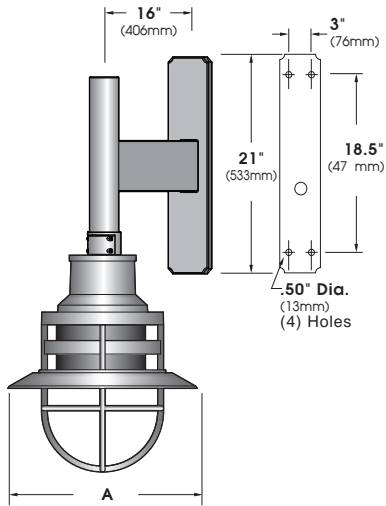
Spec/Order Example: OV1/PLED-III/36LED/1050mA/40K/UNV/2-180/RAL6005-T/NL/HS-PLED

| Luminaire | Optics | # of LED's | Drive Current | CCT | Voltage | Mounting | Finish | Options |
|------------------------------|--|--|---|---|--|---|---|--|
| Luminaire | Optics | LED | | | Voltage | Mounting | Finish | Options |
| <input type="checkbox"/> OV1 | PLED™ Distribution Type For NL & CSA Lens Options: <input type="checkbox"/> PLED-II <input type="checkbox"/> PLED-II-FR <input type="checkbox"/> PLED-III <input type="checkbox"/> PLED-III-W <input type="checkbox"/> PLED-IV <input type="checkbox"/> PLED-IV-FT <input type="checkbox"/> PLED-VSQ-N <input type="checkbox"/> PLED-V-SQ-M <input type="checkbox"/> PLED-V-SQ-W For WA Lens Option: <input type="checkbox"/> PLED-ASY-W1 <input type="checkbox"/> PLED-ASY-W2 (Internal HS) <input type="checkbox"/> PLED-ASY-N1 <input type="checkbox"/> PLED-ASY-N2 (Internal HS) <input type="checkbox"/> PLED-SYM | <input type="checkbox"/> 36LED <input type="checkbox"/> 20LED <input type="checkbox"/> 12LED | <input type="checkbox"/> 1050mA <input type="checkbox"/> 875mA <input type="checkbox"/> 700mA <input type="checkbox"/> 525mA <input type="checkbox"/> 350mA | <input type="checkbox"/> 27K (2700K) <input type="checkbox"/> 30K (3000K) <input type="checkbox"/> 40K (4000K) <input type="checkbox"/> 50K (5000K) <input type="checkbox"/> TRA True Amber ¹ | <input type="checkbox"/> UNV (120-277) <input type="checkbox"/> 347 <input type="checkbox"/> 480 | Arm Mount <input type="checkbox"/> 1 <input type="checkbox"/> 2-180 <input type="checkbox"/> 3-120 <input type="checkbox"/> 4-90 Wall Mount <input type="checkbox"/> WM | Standard Textured Finish <input type="checkbox"/> Black 9005-T <input type="checkbox"/> White 9003-T <input type="checkbox"/> Grey 7004-T <input type="checkbox"/> Dark Bronze 8019-T <input type="checkbox"/> Green 6005-T Premium Finishes <input type="checkbox"/> Rust <input type="checkbox"/> Patina Copper PC For smooth finish replace suffix "T" with suffix "S" (Example: 9500-S) Consult factory for custom colors | Lens Options: <input type="checkbox"/> No Lens NL <input type="checkbox"/> Sandblasted Clear Acrylic CSA <input type="checkbox"/> Opal Smooth Acrylic WA <input type="checkbox"/> Internal House Side Shield HS-PLED <input type="checkbox"/> Twist Lock Receptable Only TPR <input type="checkbox"/> 7-Pin Twist Lock Receptable Only TPR7 <input type="checkbox"/> High-Low Dimming for Switch by Others/Select Levels 50/100 or 25/100 (Example: HLSW/25) HLSW <input type="checkbox"/> Photo Cell + Voltage (Example: PC120V) PC+V <input type="checkbox"/> Single Fuse (120V, 277V) SF <input type="checkbox"/> Double Fuse (208V, 240V) DF <input type="checkbox"/> Blue-Tooth Programmable Photo/Motion Sensor (Factory - Motion 50/100; Photo 75ic) MS-F311 |
| <input type="checkbox"/> OV2 | | | | | | | | |

NOTES:

1 - TRA available in 350mA & 525mA Drive Currents only
Consult factory for other CCT, CRI, & Drive Current options

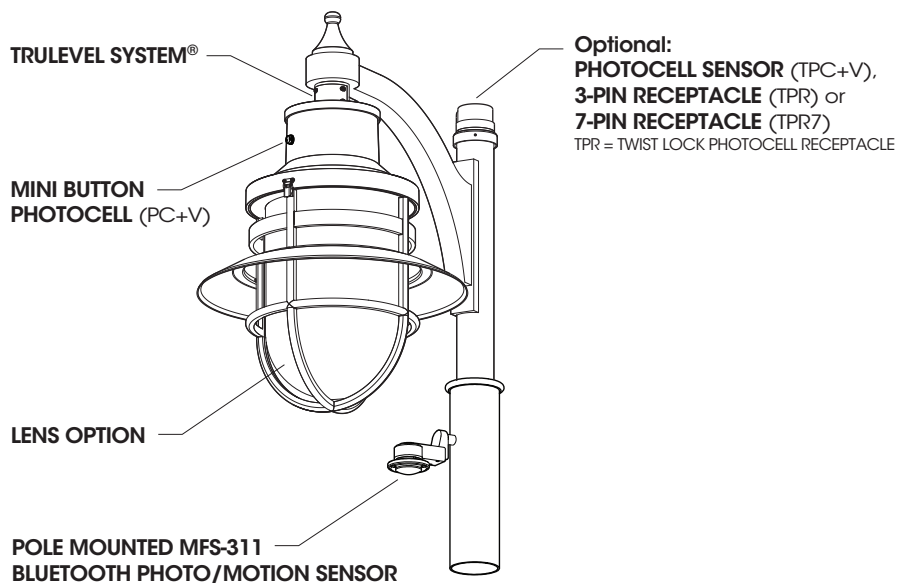
See usaltg.com for additional Arm Styles

OPTIONS
WALL MOUNT


| FIXTURE | A |
|------------|--------------|
| OV1 | 24" 610mm |
| OV2 | 16" 406mm |

Extruded aluminum Arm and cast aluminum Wall Bracket.

Shown with XAO-WM.



Factory Settings:
 No Motion - 50%
 Motion - 100%
 Delay - 15 min.
 Photocell - 75fc

Sensors can be Field Programmed w/
 Bluetooth App

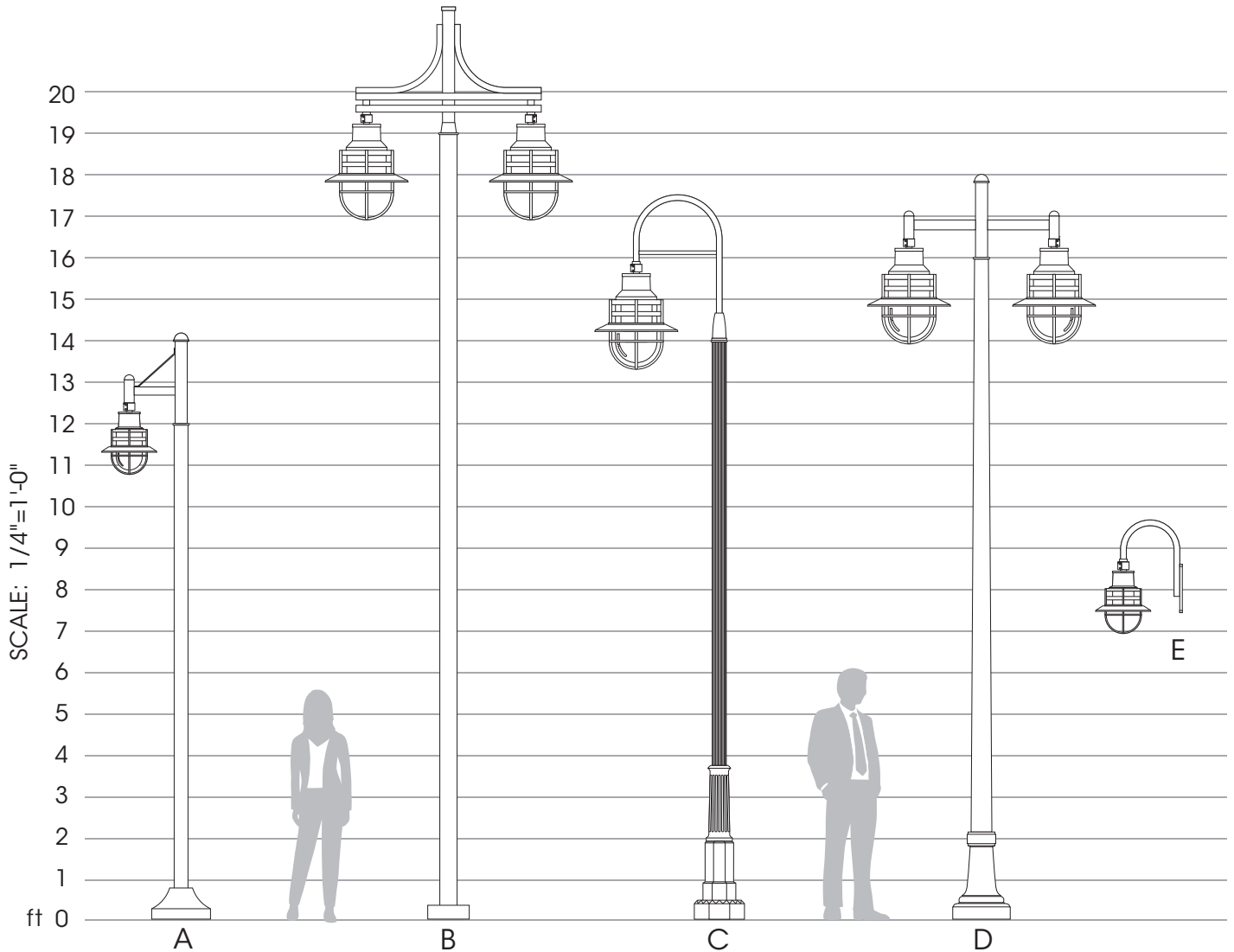
Coupling provided on Pole to Secure
 Motion Sensor.

High Low Dimming For Switches (HLSW)

The HLSW is a Small Electronic Switch which Provides High Low Dimming Control Through the LED Driver's 0-10V Control. Switching is Done by Adding a Secondary AC Switched Hot Trigger Line to the HLSW in Addition to the Normal AC Power Line. When the Secondary Trigger Line is Powered, the Fixture will go to 100% Dimming. With no Power to the Trigger, the Fixture will operate at 50% or 25% Dimming. Switches for the Trigger Line can be a Normal AC Switch/Breaker or Timed Switch/Breaker.

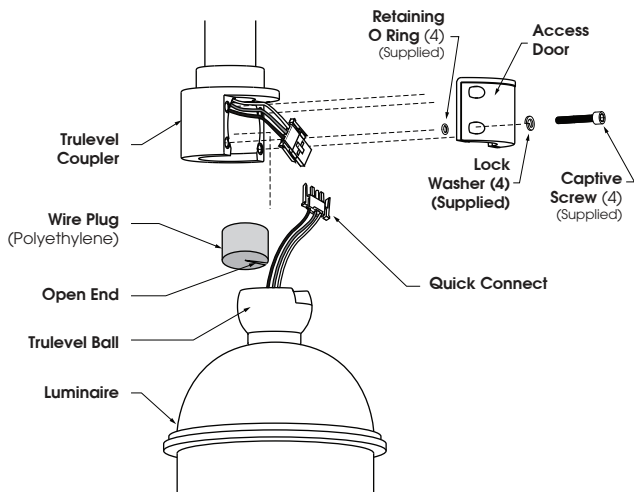
Wireless and Other Fixture Controls

Contact Factory for Wireless and Other Fixture Controls and Recommendations. Most Controls Can be Integrated and Factory Installed.

SAMPLE ASSEMBLIES


- A. RNTA-124-125-RBC/XBSM-1/OV2-WA/LED/ACCESSORIES/FINISH
- B. RNTS195-7/XBC-2-180/OV1-NL/LED/ACCESSORIES/FINISH
- C. 10-1060-14'-0"/XPS-1/OV1-CSA/LED/ACCESSORIES/FINISH
- D. 75-1046T-14'-0"/XAL-2-180/OV1-WA/LED/ACCESSORIES/FINISH
- E. WM/XPK/OV2-NL/LED/ACCESSORIES/FINISH

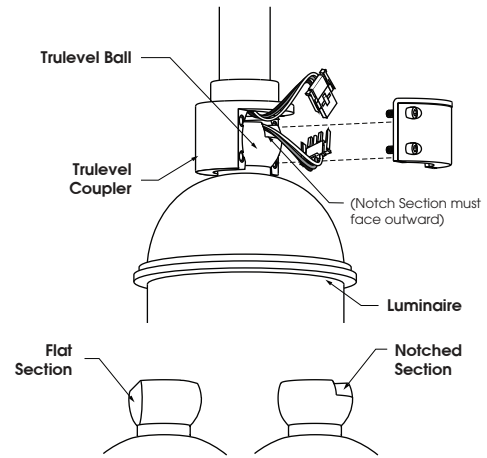
Sample Assemblies show a small offering of the Sun Valley Line of Poles, Bases, Shafts, Arms, & Luminaires. Please visit usalgtg.com for the full product offering.

INSTALLATION
Trulevel System® Assembly for Installation of Pendant Mount Luminaires


1. Loosen (4) Captive Screws and remove Access Door from Trulevel Coupler, pull out Quick Connect from Trulevel Coupler and Trulevel Ball.

Press open end of Wire Plug around Quick Connect wires.

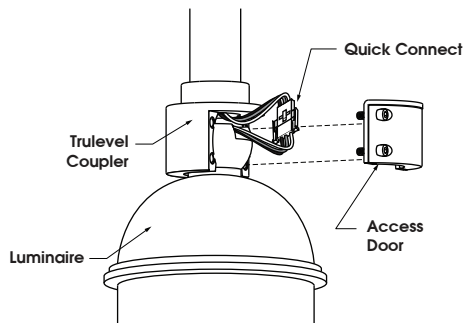
Slide Wire Plug down the wires and into Trulevel Ball opening, press Neoprene firmly into opening to prevent moisture and other contaminants from entering Luminaire Assembly.



2. Place Trulevel Ball inside of Trulevel Coupler as illustrated.

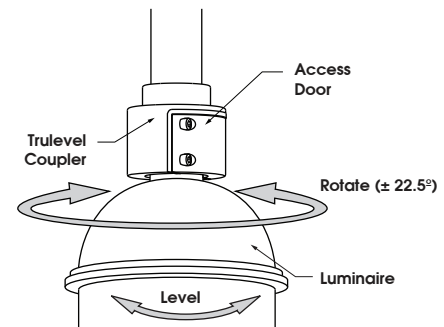
A - Notched Section of Trulevel Ball must face outward as illustrated.

B - Flat Section of Trulevel Ball must face inward.



3. Connect Quick Connect components, push components inside of Trulevel Coupler cavity, replace Access Door and loosely secure, do not tighten.

Fixture will suspend without Access Door during installation.



4. Rotate (left to right $\pm 22.5^\circ$) and level Luminaire to desired position. Tighten Access Door.

(Tighten each bolt to recommended torque: **10 ft-lb, foot-pound**)

Trulevel Pendant Mount is intended to allow for fixture leveling, but is not intended to be "free-swinging" upon proper installation.

ELECTRICAL DATA GUIDE - AMPERAGE CHART

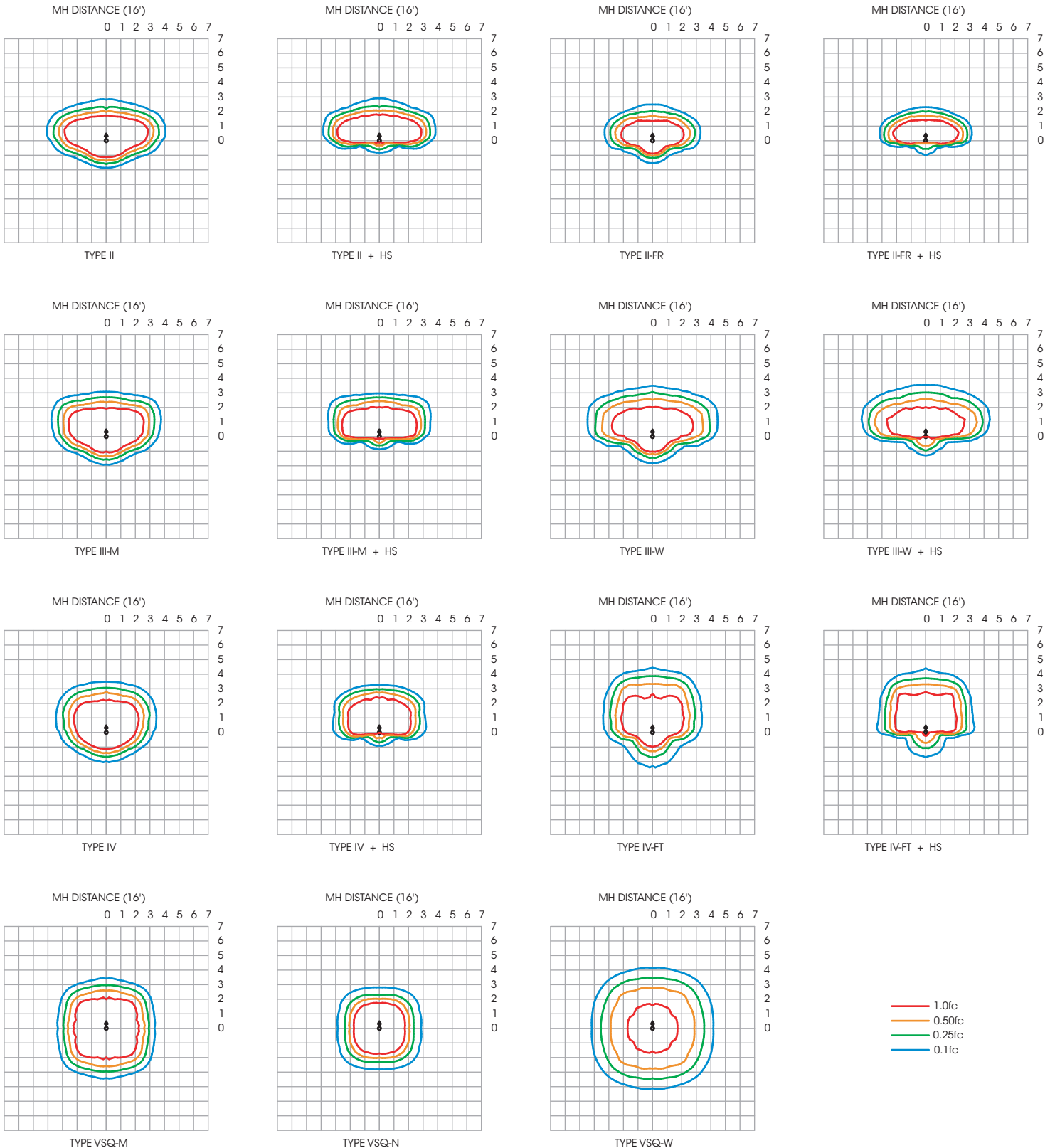
| ELECTRICAL LOAD | | | CURRENT (A) | | | | |
|-----------------|------|--------------|-------------|------|------|------|------|
| # of LEDs | mA | System Watts | 120V | 208V | 277V | 347V | 480V |
| 12 | 350 | 14.1 | 0.12 | 0.07 | 0.05 | 0.04 | 0.03 |
| 12 | 525 | 21.3 | 0.18 | 0.10 | 0.08 | 0.06 | 0.04 |
| 12 | 700 | 28.2 | 0.24 | 0.14 | 0.10 | 0.08 | 0.06 |
| 12 | 875 | 35.0 | 0.29 | 0.17 | 0.13 | 0.10 | 0.07 |
| 12 | 1050 | 41.9 | 0.35 | 0.20 | 0.15 | 0.12 | 0.09 |
| 20 | 350 | 23.6 | 0.20 | 0.11 | 0.09 | 0.07 | 0.05 |
| 20 | 525 | 35.5 | 0.30 | 0.17 | 0.13 | 0.10 | 0.07 |
| 20 | 700 | 47.0 | 0.39 | 0.23 | 0.17 | 0.14 | 0.10 |
| 20 | 875 | 58.4 | 0.49 | 0.28 | 0.21 | 0.17 | 0.12 |
| 20 | 1050 | 69.8 | 0.58 | 0.34 | 0.25 | 0.20 | 0.15 |
| 36 | 350 | 41.3 | 0.34 | 0.20 | 0.15 | 0.12 | 0.09 |
| 36 | 525 | 62.0 | 0.52 | 0.30 | 0.22 | 0.18 | 0.13 |
| 36 | 700 | 82.6 | 0.69 | 0.40 | 0.30 | 0.24 | 0.17 |
| 36 | 875 | 103.1 | 0.86 | 0.50 | 0.37 | 0.30 | 0.21 |
| 36 | 1050 | 123.6 | 1.03 | 0.59 | 0.45 | 0.36 | 0.26 |

PHOTOMETRIC DATA GUIDE - LM-80 LUMEN MAINTENANCE

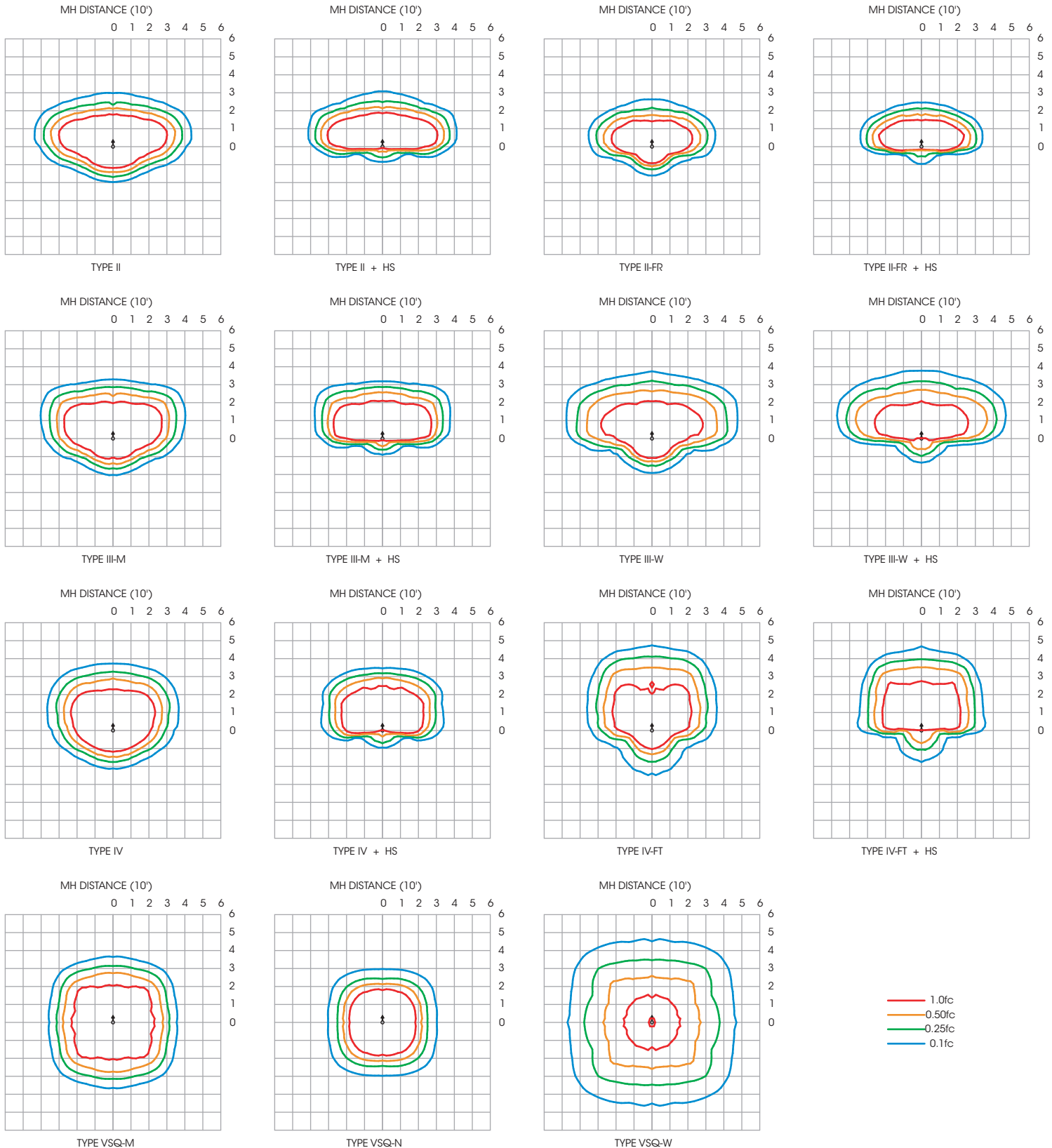
| LED LUMEN MAINTENANCE (350mA to 1050mA) | | |
|---|--------------------|---------------------------------|
| LED Life / Operating Hours | Lumen Depreciation | Lumen Depreciation Scale Factor |
| 60,000 | L96 | 0.96x |
| 100,000 (6X LED Test Hrs) | L93 | 0.93x |
| 150,000 (Theoretical) | L89 | 0.90x |
| 200,000 (Theoretical) | L86 | 0.87x |

TM-21 6x Test Time Dictates that L93 > 100,000 Hours.

Lumen Depreciation Calculations Done in Accordance With IESNA TM-21 & LM-80 (25°C Ambient)

PHOTOMETRIC DATA GUIDE - ISOFOOTCANDLE PLOTS
OV1-PLED-NL-36LED-700mA-40K - 16' Mounting Height


IES File downloads for this product can be found at www.usaltg.com/downloads/asr.html

PHOTOMETRIC DATA GUIDE - ISOFOOTCANDLE PLOTS
OV2-PLED-NL-12LED-875mA-40K - 10' Mounting Height


IES File downloads for this product can be found at www.usalgt.com/downloads/asr.html

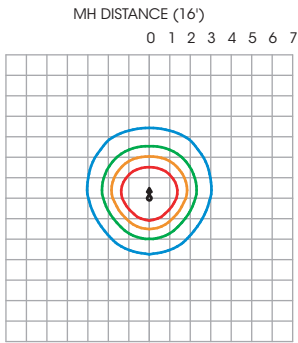
PHOTOMETRIC DATA GUIDE - LUMEN TABLES

| OV1-PLED-CSA | | | | | | | | | | | | | | | | | | | | | | | | | | | | | | | | | | | | | | | | | |
|--------------|--------------------|--------------|-------------|---------------------|------|------------|---------------------|------|------------|---------------------|-------|------------|---------------------|-------|------------|--------------|-------------|-----|------------|------|-------|-----|----------|-----|-----|--|-------|-----|----------|-----|-----|--|-------|-----|----------|-----|-----|--|--|--|--|
| LED Count | Drive Current (mA) | System Watts | Dist'n Type | 27K (2700K - 70CRI) | | | 30K (3000K - 70CRI) | | | 40K (4000K - 70CRI) | | | 50K (5000K - 70CRI) | | | System Watts | TRA (590nm) | | | | | | | | | | | | | | | | | | | | | | | | |
| | | | | LUMENS | LPW | BUG RATING | LUMENS | LPW | BUG RATING | LUMENS | LPW | BUG RATING | LUMENS | LPW | BUG RATING | | LUMENS | LPW | BUG RATING | | | | | | | | | | | | | | | | | | | | | | |
| 36 | 350 | 41.3 | II | 4683 | 113 | B1-U3-G2 | 4887 | 118 | B1-U3-G2 | 5090 | 123 | B1-U3-G2 | 5293 | 128 | B1-U3-G2 | 32.2 | 1629 | 51 | B1-U2-G1 | | | | | | | | | | | | | | | | | | | | | | |
| | | | IV-FT-HS | 3399 | 82 | B1-U3-G2 | 3547 | 86 | B1-U3-G2 | 3695 | 89 | B1-U3-G2 | 3842 | 93 | B1-U3-G2 | | 1182 | 37 | B0-U2-G1 | | | | | | | | | | | | | | | | | | | | | | |
| | | | 36 | 525 | 62.0 | II | 6730 | 109 | B2-U3-G2 | 7022 | 113 | B2-U3-G2 | 7315 | 118 | B2-U3-G2 | | 7608 | 123 | B2-U3-G2 | 48.3 | 1902 | 39 | B1-U2-G1 | | | | | | | | | | | | | | | | | | |
| | | | | | | IV-FT-HS | 4884 | 79 | B1-U3-G2 | 5097 | 82 | B1-U3-G2 | 5309 | 86 | B1-U3-G2 | | 5521 | 89 | B1-U3-G2 | | 1380 | 29 | B0-U2-G1 | | | | | | | | | | | | | | | | | | |
| | | | | | | 36 | 700 | 82.6 | II | 8518 | 103 | B2-U3-G2 | 8888 | 108 | B2-U3-G2 | | 9259 | 112 | B2-U3-G2 | | 9630 | 117 | B2-U3-G2 | N/A | N/A | | | | | | | | | | | | | | | | |
| | | | | | | | | | IV-FT-HS | 6183 | 75 | B1-U3-G2 | 6451 | 78 | B1-U3-G2 | | 6720 | 81 | B1-U3-G2 | | 6989 | 85 | B1-U3-G2 | | | | | | | | | | | | | | | | | | |
| | | | | | | | | | 36 | 875 | 103.1 | II | 10209 | 99 | B2-U3-G3 | | 10653 | 103 | B2-U3-G3 | | 11097 | 108 | B2-U3-G3 | | | | 11541 | 112 | B3-U3-G3 | N/A | N/A | | | | | | | | | | |
| | | | | | | | | | | | | IV-FT-HS | 7410 | 72 | B1-U3-G2 | | 7732 | 75 | B1-U3-G2 | | 8054 | 78 | B1-U3-G2 | | | | 8377 | 81 | B1-U3-G2 | | | | | | | | | | | | |
| | | | | | | | | | | | | 36 | 1050 | 123.6 | II | | 11614 | 94 | B3-U3-G3 | | 12119 | 98 | B3-U3-G3 | | | | 12624 | 102 | B3-U3-G3 | | | | 13129 | 106 | B3-U3-G3 | N/A | N/A | | | | |
| | | | | | | | | | | | | | | | IV-FT-HS | | 8429 | 68 | B2-U3-G3 | | 8795 | 71 | B2-U3-G3 | | | | 9162 | 74 | B2-U3-G3 | | | | 9528 | 77 | B2-U3-G3 | | | | | | |

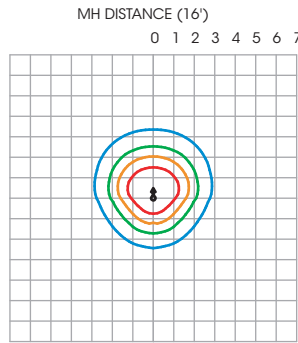
IES File downloads for this product can be found at www.usaltg.com/downloads/asr.html

PHOTOMETRIC DATA GUIDE - ISOFOOTCANDLE TEMPLATES

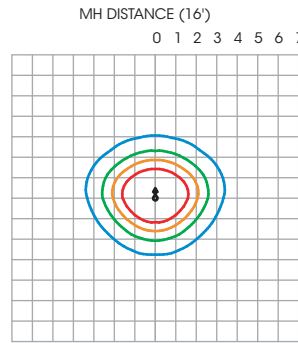
OV1-PLED-WA-36LED-700mA-40K - 16' Mounting Height



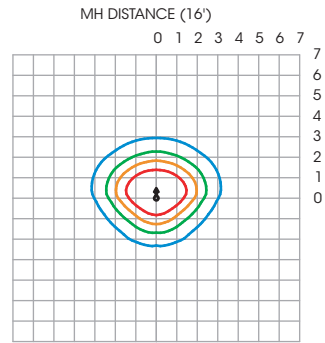
TYPE ASY-N1



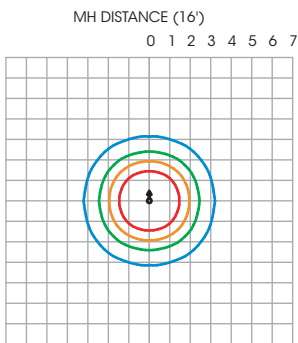
TYPE ASY-N2



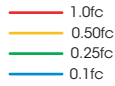
TYPE ASY-W1



TYPE ASY-W2



TYPE SYM


 IES File downloads for this product can be found at www.usalgt.com/downloads/asr.html

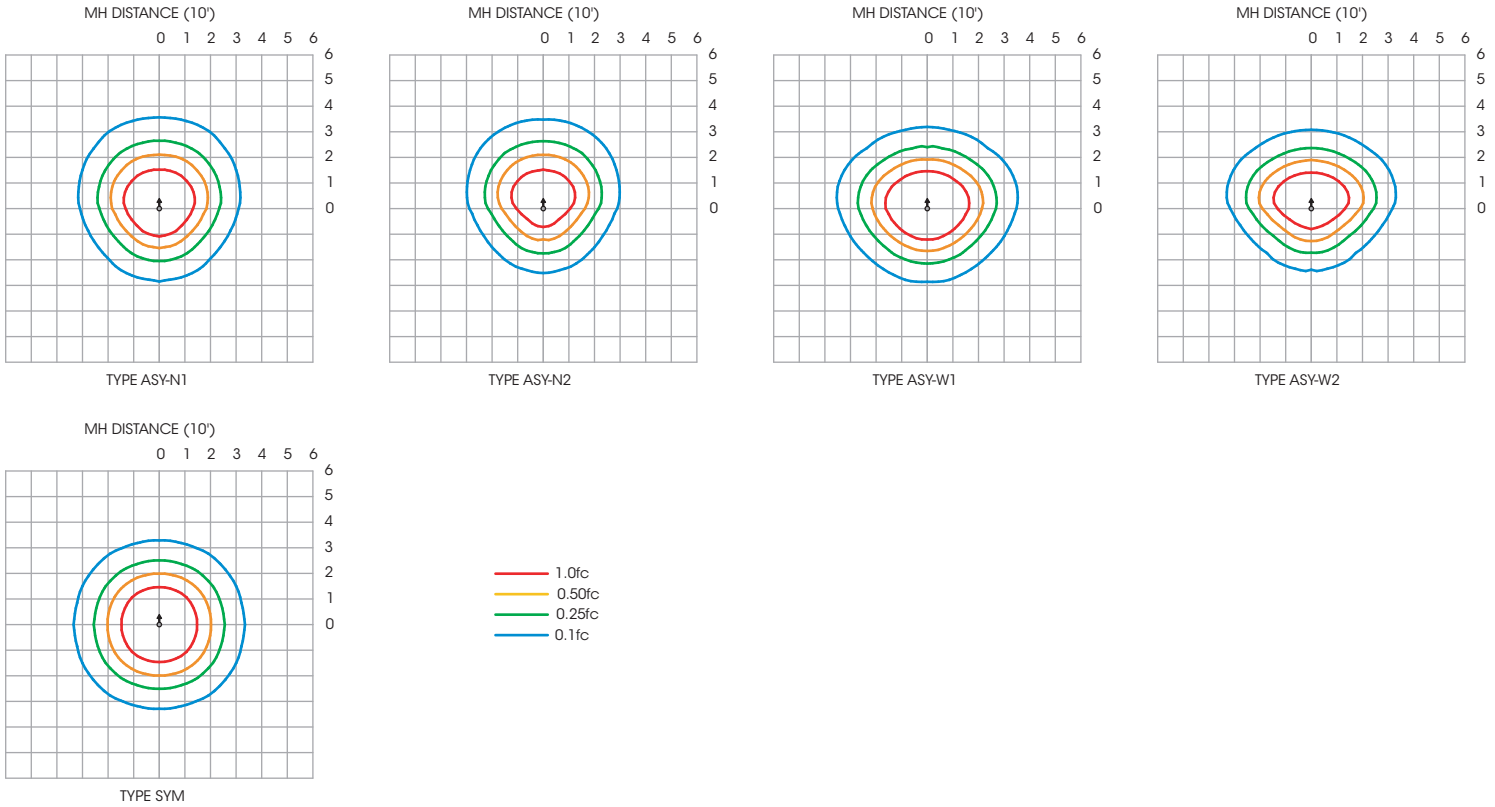
PHOTOMETRIC DATA GUIDE - LUMEN TABLES

| OV1-PLED-WA | | | | | | | | | | | | | | | | | | | |
|-------------|--------------------|--------------|-------------|---------------------|-----|------------|---------------------|-----|------------|---------------------|-----|------------|---------------------|-----|------------|--------------|-------------|-----|------------|
| LED Count | Drive Current (mA) | System Watts | Dist'n Type | 27K (2700K - 70CRI) | | | 30K (3000K - 70CRI) | | | 40K (4000K - 70CRI) | | | 50K (5000K - 70CRI) | | | System Watts | TRA (590nm) | | |
| | | | | LUMENS | LPW | BUG RATING | LUMENS | LPW | BUG RATING | LUMENS | LPW | BUG RATING | LUMENS | LPW | BUG RATING | | LUMENS | LPW | BUG RATING |
| 20 | 350 | 23.6 | ASY-N1 | 2078 | 88 | B1-U3-G2 | 2168 | 92 | B1-U3-G2 | 2258 | 96 | B1-U3-G2 | 2349 | 100 | B1-U3-G2 | 18.4 | 723 | 39 | B0-U3-G1 |
| | | | ASY-N2 | 1629 | 69 | B1-U3-G2 | 1700 | 72 | B1-U3-G2 | 1771 | 75 | B1-U3-G2 | 1842 | 78 | B1-U3-G2 | | 567 | 31 | B0-U3-G1 |
| | | | ASY-W1 | 2256 | 96 | B1-U3-G1 | 2354 | 100 | B1-U3-G2 | 2452 | 104 | B1-U3-G2 | 2550 | 108 | B1-U3-G2 | | 785 | 43 | B0-U3-G1 |
| | | | ASY-W2 | 1654 | 70 | B1-U3-G1 | 1725 | 73 | B1-U3-G1 | 1797 | 76 | B1-U3-G1 | 1869 | 79 | B1-U3-G1 | | 575 | 31 | B0-U3-G1 |
| | | | SYM | 2346 | 99 | B1-U3-G1 | 2448 | 104 | B1-U3-G1 | 2550 | 108 | B1-U3-G1 | 2652 | 112 | B1-U3-G2 | | 816 | 44 | B0-U3-G1 |
| 20 | 525 | 35.5 | ASY-N1 | 2986 | 84 | B1-U3-G2 | 3115 | 88 | B1-U3-G2 | 3245 | 91 | B1-U3-G2 | 3375 | 95 | B1-U3-G2 | 27.7 | 844 | 30 | B0-U3-G1 |
| | | | ASY-N2 | 2341 | 66 | B1-U3-G2 | 2443 | 69 | B1-U3-G2 | 2545 | 72 | B1-U3-G2 | 2647 | 75 | B1-U3-G2 | | 662 | 24 | B0-U3-G1 |
| | | | ASY-W1 | 3242 | 91 | B1-U3-G2 | 3383 | 95 | B1-U3-G2 | 3524 | 99 | B1-U3-G2 | 3665 | 103 | B1-U3-G2 | | 916 | 33 | B0-U3-G1 |
| | | | ASY-W2 | 2376 | 67 | B1-U3-G2 | 2479 | 70 | B1-U3-G2 | 2583 | 73 | B1-U3-G2 | 2686 | 76 | B1-U3-G2 | | 671 | 24 | B0-U3-G1 |
| | | | SYM | 3371 | 95 | B1-U3-G2 | 3517 | 99 | B1-U3-G2 | 3664 | 103 | B1-U3-G2 | 3810 | 107 | B2-U3-G2 | | 953 | 34 | B1-U3-G1 |
| 20 | 700 | 47.0 | ASY-N1 | 3780 | 80 | B1-U4-G2 | 3944 | 84 | B1-U4-G2 | 4108 | 87 | B1-U4-G3 | 4273 | 91 | B1-U4-G3 | N/A | N/A | | |
| | | | ASY-N2 | 2964 | 63 | B1-U3-G2 | 3093 | 66 | B1-U3-G2 | 3222 | 69 | B1-U3-G2 | 3350 | 71 | B1-U3-G2 | | N/A | | |
| | | | ASY-W1 | 4104 | 87 | B1-U3-G2 | 4282 | 91 | B1-U4-G2 | 4461 | 95 | B1-U4-G2 | 4639 | 99 | B1-U4-G2 | | N/A | | |
| | | | ASY-W2 | 3008 | 64 | B1-U3-G2 | 3139 | 67 | B1-U3-G2 | 3269 | 70 | B1-U3-G2 | 3400 | 72 | B1-U3-G2 | | N/A | | |
| | | | SYM | 4266 | 91 | B2-U4-G2 | 4452 | 95 | B2-U4-G2 | 4638 | 99 | B2-U4-G2 | 4823 | 103 | B2-U4-G2 | | N/A | | |
| 20 | 875 | 58.4 | ASY-N1 | 4530 | 78 | B1-U4-G3 | 4727 | 81 | B1-U4-G3 | 4924 | 84 | B1-U4-G3 | 5121 | 88 | B1-U4-G3 | N/A | N/A | | |
| | | | ASY-N2 | 3552 | 61 | B1-U4-G2 | 3707 | 63 | B1-U4-G3 | 3861 | 66 | B1-U4-G3 | 4016 | 69 | B1-U4-G3 | | N/A | | |
| | | | ASY-W1 | 4918 | 84 | B2-U4-G2 | 5132 | 88 | B2-U4-G2 | 5346 | 92 | B2-U4-G3 | 5560 | 95 | B2-U4-G3 | | N/A | | |
| | | | ASY-W2 | 3605 | 62 | B1-U3-G2 | 3762 | 64 | B1-U3-G2 | 3918 | 67 | B1-U3-G2 | 4075 | 70 | B1-U4-G2 | | N/A | | |
| | | | SYM | 5114 | 88 | B2-U4-G2 | 5336 | 91 | B2-U4-G2 | 5558 | 95 | B2-U4-G2 | 5780 | 99 | B2-U4-G2 | | N/A | | |
| 20 | 1050 | 69.8 | ASY-N1 | 5153 | 74 | B1-U4-G3 | 5377 | 77 | B1-U4-G3 | 5601 | 80 | B2-U4-G3 | 5825 | 83 | B2-U4-G3 | N/A | N/A | | |
| | | | ASY-N2 | 4041 | 58 | B1-U4-G3 | 4216 | 60 | B1-U4-G3 | 4392 | 63 | B1-U4-G3 | 4568 | 65 | B1-U4-G3 | | N/A | | |
| | | | ASY-W1 | 5595 | 80 | B2-U4-G3 | 5838 | 84 | B2-U4-G3 | 6082 | 87 | B2-U4-G3 | 6325 | 91 | B2-U4-G3 | | N/A | | |
| | | | ASY-W2 | 4101 | 59 | B1-U4-G2 | 4279 | 61 | B1-U4-G2 | 4457 | 64 | B1-U4-G2 | 4636 | 66 | B1-U4-G2 | | N/A | | |
| | | | SYM | 5818 | 83 | B2-U4-G3 | 6070 | 87 | B2-U4-G3 | 6323 | 91 | B2-U4-G3 | 6576 | 94 | B2-U4-G3 | | N/A | | |
| 36 | 350 | 41.3 | ASY-N1 | 3740 | 91 | B1-U3-G2 | 3903 | 94 | B1-U4-G2 | 4065 | 98 | B1-U4-G3 | 4228 | 102 | B1-U4-G3 | 32.2 | 1301 | 40 | B1-U3-G1 |
| | | | ASY-N2 | 2933 | 71 | B1-U3-G2 | 3060 | 74 | B1-U3-G2 | 3188 | 77 | B1-U3-G2 | 3316 | 80 | B1-U3-G2 | | 1020 | 32 | B0-U3-G1 |
| | | | ASY-W1 | 4061 | 98 | B1-U3-G2 | 4237 | 103 | B1-U4-G2 | 4414 | 107 | B1-U4-G2 | 4590 | 111 | B1-U4-G2 | | 1412 | 44 | B1-U3-G1 |
| | | | ASY-W2 | 2976 | 72 | B1-U3-G2 | 3106 | 75 | B1-U3-G2 | 3235 | 78 | B1-U3-G2 | 3364 | 81 | B1-U3-G2 | | 1035 | 32 | B0-U3-G1 |
| | | | SYM | 4222 | 102 | B2-U4-G2 | 4406 | 107 | B2-U4-G2 | 4589 | 111 | B2-U4-G2 | 4772 | 116 | B2-U4-G2 | | 1469 | 46 | B1-U3-G1 |
| 36 | 525 | 62.0 | ASY-N1 | 5374 | 87 | B1-U4-G3 | 5608 | 90 | B2-U4-G3 | 5841 | 94 | B2-U4-G3 | 6075 | 98 | B2-U4-G3 | 48.3 | 1519 | 31 | B1-U3-G1 |
| | | | ASY-N2 | 4214 | 68 | B1-U4-G3 | 4398 | 71 | B1-U4-G3 | 4581 | 74 | B1-U4-G3 | 4764 | 77 | B1-U4-G3 | | 1191 | 25 | B0-U3-G1 |
| | | | ASY-W1 | 5835 | 94 | B2-U4-G3 | 6089 | 98 | B2-U4-G3 | 6342 | 102 | B2-U4-G3 | 6596 | 106 | B2-U4-G3 | | 1649 | 34 | B1-U3-G1 |
| | | | ASY-W2 | 4277 | 69 | B1-U4-G2 | 4463 | 72 | B1-U4-G2 | 4649 | 75 | B1-U4-G2 | 4834 | 78 | B1-U4-G3 | | 1209 | 25 | B0-U3-G1 |
| | | | SYM | 6067 | 98 | B2-U4-G3 | 6331 | 102 | B2-U4-G3 | 6594 | 106 | B2-U4-G3 | 6858 | 111 | B2-U4-G3 | | 1715 | 36 | B1-U3-G1 |
| 36 | 700 | 82.6 | ASY-N1 | 6803 | 82 | B2-U4-G3 | 7099 | 86 | B2-U4-G3 | 7395 | 90 | B2-U4-G3 | 7690 | 93 | B2-U5-G3 | N/A | N/A | | |
| | | | ASY-N2 | 5335 | 65 | B1-U4-G3 | 5567 | 67 | B1-U4-G3 | 5799 | 70 | B1-U4-G3 | 6031 | 73 | B1-U4-G3 | | N/A | | |
| | | | ASY-W1 | 7387 | 89 | B2-U4-G3 | 7707 | 93 | B2-U4-G3 | 8029 | 97 | B2-U4-G3 | 8350 | 101 | B2-U4-G3 | | N/A | | |
| | | | ASY-W2 | 5414 | 66 | B1-U4-G3 | 5649 | 68 | B1-U4-G3 | 5885 | 71 | B2-U4-G3 | 6120 | 74 | B2-U4-G3 | | N/A | | |
| | | | SYM | 7680 | 93 | B3-U5-G3 | 8014 | 97 | B3-U5-G3 | 8348 | 101 | B3-U5-G3 | 8681 | 105 | B3-U5-G3 | | N/A | | |
| 36 | 875 | 103.1 | ASY-N1 | 8153 | 79 | B2-U5-G3 | 8508 | 83 | B2-U5-G3 | 8862 | 86 | B2-U5-G4 | 9217 | 89 | B2-U5-G4 | N/A | N/A | | |
| | | | ASY-N2 | 6394 | 62 | B2-U4-G3 | 6672 | 65 | B2-U4-G3 | 6950 | 67 | B2-U4-G3 | 7228 | 70 | B2-U5-G3 | | N/A | | |
| | | | ASY-W1 | 8852 | 86 | B2-U5-G3 | 9237 | 90 | B2-U5-G3 | 9622 | 93 | B2-U5-G3 | 10007 | 97 | B3-U5-G3 | | N/A | | |
| | | | ASY-W2 | 6488 | 63 | B2-U4-G3 | 6771 | 66 | B2-U4-G3 | 7053 | 68 | B2-U4-G3 | 7335 | 71 | B2-U4-G3 | | N/A | | |
| | | | SYM | 9204 | 89 | B3-U5-G3 | 9604 | 93 | B3-U5-G3 | 10004 | 97 | B3-U5-G3 | 10405 | 101 | B3-U5-G3 | | N/A | | |
| 36 | 1050 | 123.6 | ASY-N1 | 9275 | 75 | B2-U5-G4 | 9678 | 78 | B2-U5-G4 | 10081 | 82 | B2-U5-G4 | 10485 | 85 | B2-U5-G4 | N/A | N/A | | |
| | | | ASY-N2 | 7273 | 59 | B2-U5-G3 | 7590 | 61 | B2-U5-G3 | 7906 | 64 | B2-U5-G3 | 8222 | 67 | B2-U5-G4 | | N/A | | |
| | | | ASY-W1 | 10070 | 81 | B3-U5-G3 | 10508 | 85 | B3-U5-G3 | 10946 | 89 | B3-U5-G3 | 11384 | 92 | B3-U5-G3 | | N/A | | |
| | | | ASY-W2 | 7381 | 60 | B2-U4-G3 | 7702 | 62 | B2-U4-G3 | 8023 | 65 | B2-U4-G3 | 8344 | 68 | B2-U5-G3 | | N/A | | |
| | | | SYM | 10471 | 85 | B3-U5-G3 | 10926 | 88 | B3-U5-G3 | 11381 | 92 | B3-U5-G3 | 11836 | 96 | B3-U5-G3 | | N/A | | |

IES File downloads for this product can be found at www.usaltg.com/downloads/asr.html

PHOTOMETRIC DATA GUIDE - ISOFOOTCANDLE TEMPLATES

OV2-PLED-WA-12LED-875mA-40K - 10' Mounting Height



PHOTOMETRIC DATA GUIDE - LUMEN TABLES

| OV2-PLED-WA | | | | | | | | | | | | | | | | | | | |
|-------------|--------------------|--------------|-------------|---------------------|-----|------------|---------------------|-----|------------|---------------------|-----|------------|---------------------|-----|------------|--------------|-------------|-----|------------|
| LED Count | Drive Current (mA) | System Watts | Dist'n Type | 27K (2700K - 70CRI) | | | 30K (3000K - 70CRI) | | | 40K (4000K - 70CRI) | | | 50K (5000K - 70CRI) | | | System Watts | TRA (590nm) | | |
| | | | | LUMENS | LPW | BUG RATING | LUMENS | LPW | BUG RATING | LUMENS | LPW | BUG RATING | LUMENS | LPW | BUG RATING | | LUMENS | LPW | BUG RATING |
| 12 | 350 | 14.1 | ASY-N1 | 1247 | 88 | B1-U3-G1 | 1301 | 92 | B1-U3-G1 | 1355 | 96 | B1-U3-G1 | 1409 | 100 | B1-U3-G1 | 11.0 | 434 | 39 | B0-U3-G1 |
| | | | ASY-N2 | 977 | 69 | B0-U3-G1 | 1020 | 72 | B0-U3-G1 | 1063 | 75 | B0-U3-G1 | 1105 | 78 | B0-U3-G1 | | 340 | 31 | B0-U2-G1 |
| | | | ASY-W1 | 1354 | 96 | B1-U3-G1 | 1413 | 100 | B1-U3-G1 | 1472 | 104 | B1-U3-G1 | 1530 | 109 | B1-U3-G1 | | 471 | 43 | B0-U3-G1 |
| | | | ASY-W2 | 992 | 70 | B0-U3-G1 | 1035 | 73 | B0-U3-G1 | 1078 | 76 | B0-U3-G1 | 1121 | 80 | B0-U3-G1 | | 345 | 31 | B0-U2-G1 |
| | | | SYM | 1407 | 100 | B1-U3-G1 | 1469 | 104 | B1-U3-G1 | 1530 | 109 | B1-U3-G1 | 1591 | 113 | B1-U3-G1 | | 490 | 45 | B0-U3-G1 |
| 12 | 525 | 21.3 | ASY-N1 | 1791 | 84 | B1-U3-G2 | 1870 | 88 | B1-U3-G2 | 1947 | 91 | B1-U3-G2 | 2025 | 95 | B1-U3-G2 | 16.6 | 506 | 30 | B0-U3-G1 |
| | | | ASY-N2 | 1405 | 66 | B1-U3-G1 | 1466 | 69 | B1-U3-G1 | 1527 | 72 | B1-U3-G1 | 1588 | 75 | B1-U3-G1 | | 397 | 24 | B0-U3-G1 |
| | | | ASY-W1 | 1945 | 91 | B1-U3-G1 | 2029 | 95 | B1-U3-G1 | 2114 | 99 | B1-U3-G1 | 2199 | 103 | B1-U3-G1 | | 550 | 33 | B0-U3-G1 |
| | | | ASY-W2 | 1425 | 67 | B1-U3-G1 | 1488 | 70 | B1-U3-G1 | 1549 | 73 | B1-U3-G1 | 1612 | 76 | B1-U3-G1 | | 403 | 24 | B0-U2-G1 |
| | | | SYM | 2022 | 95 | B1-U3-G1 | 2110 | 99 | B1-U3-G1 | 2198 | 103 | B1-U3-G1 | 2286 | 107 | B1-U3-G1 | | 572 | 34 | B0-U3-G1 |
| 12 | 700 | 28.2 | ASY-N1 | 2268 | 80 | B1-U3-G2 | 2367 | 84 | B1-U3-G2 | 2465 | 87 | B1-U3-G2 | 2563 | 91 | B1-U3-G2 | N/A | N/A | | |
| | | | ASY-N2 | 1778 | 63 | B1-U3-G2 | 1856 | 66 | B1-U3-G2 | 1933 | 69 | B1-U3-G2 | 2010 | 71 | B1-U3-G2 | | | | |
| | | | ASY-W1 | 2462 | 87 | B1-U3-G2 | 2569 | 91 | B1-U3-G2 | 2676 | 95 | B1-U3-G2 | 2783 | 99 | B1-U3-G2 | | | | |
| | | | ASY-W2 | 1805 | 64 | B1-U3-G1 | 1883 | 67 | B1-U3-G1 | 1962 | 70 | B1-U3-G1 | 2040 | 72 | B1-U3-G1 | | | | |
| | | | SYM | 2560 | 91 | B1-U3-G1 | 2671 | 95 | B1-U3-G2 | 2783 | 99 | B1-U3-G2 | 2894 | 103 | B1-U3-G2 | | | | |
| 12 | 875 | 35.0 | ASY-N1 | 2718 | 78 | B1-U3-G2 | 2836 | 81 | B1-U3-G2 | 2954 | 84 | B1-U3-G2 | 3073 | 88 | B1-U3-G2 | N/A | N/A | | |
| | | | ASY-N2 | 2131 | 61 | B1-U3-G2 | 2224 | 64 | B1-U3-G2 | 2317 | 66 | B1-U3-G2 | 2409 | 69 | B1-U3-G2 | | | | |
| | | | ASY-W1 | 2951 | 84 | B1-U3-G2 | 3079 | 88 | B1-U3-G2 | 3208 | 92 | B1-U3-G2 | 3336 | 95 | B1-U3-G2 | | | | |
| | | | ASY-W2 | 2163 | 62 | B1-U3-G2 | 2257 | 64 | B1-U3-G2 | 2351 | 67 | B1-U3-G2 | 2445 | 70 | B1-U3-G2 | | | | |
| | | | SYM | 3068 | 88 | B1-U3-G2 | 3202 | 91 | B1-U3-G2 | 3335 | 95 | B1-U3-G2 | 3468 | 99 | B1-U3-G2 | | | | |
| 12 | 1050 | 41.9 | ASY-N1 | 3092 | 74 | B1-U3-G2 | 3226 | 77 | B1-U3-G2 | 3361 | 80 | B1-U3-G2 | 3495 | 83 | B1-U3-G2 | N/A | N/A | | |
| | | | ASY-N2 | 2425 | 58 | B1-U3-G2 | 2530 | 60 | B1-U3-G2 | 2636 | 63 | B1-U3-G2 | 2741 | 65 | B1-U3-G2 | | | | |
| | | | ASY-W1 | 3357 | 80 | B1-U3-G2 | 3503 | 84 | B1-U3-G2 | 3649 | 87 | B1-U3-G2 | 3795 | 91 | B1-U3-G2 | | | | |
| | | | ASY-W2 | 2460 | 59 | B1-U3-G2 | 2567 | 61 | B1-U3-G2 | 2674 | 64 | B1-U3-G2 | 2781 | 66 | B1-U3-G2 | | | | |
| | | | SYM | 3491 | 83 | B1-U3-G2 | 3642 | 87 | B1-U3-G2 | 3794 | 91 | B2-U3-G2 | 3946 | 94 | B2-U4-G2 | | | | |

IES File downloads for this product can be found at www.usaltg.com/downloads/asr.html