

# QBIX

## SQUARE ARCHITECTURAL SCONCE

### Housing

Low Copper (<0.2% copper) A365 aluminum alloy Housing. IP65 User-accessible Driver Housing with Field Replaceable LED Modules and Power Supplies. High temperature rated silicone gasket. Mechanically captive and vandal-proof stainless-steel fasteners. Separate Conduit Wiring Box (Optional)

### PLED™ Optics

Emitters (LED's) are arrayed on a metal core PCB panel with each emitter located on a copper thermal transfer pad and enclosed by an LED refractor. LED optics completely seal each individual emitter to meet an IP66 rating. In asymmetric distributions, a micro-reflector inside the refractor re-directs the house side emitter output towards the street side, maximizing usable light. Optional house side shields are available that cover each individual optic. Refractors are injection molded H12 acrylic. Each LED refractor is sealed to the PCB over an emitter and all refractors are retained by an aluminum frame. Any one Panel, or group of Panels in a luminaire, have the same optical pattern. LED refractors produce standard site/area distributions. Panels are field replaceable and field rotatable in 90° increments. Quick-disconnects are provided above each panel for fast field replacement. No lens (NL) and all flat lens options will provide "U0" no uplight optical packages that are Dark Sky friendly.

### ALED™ Optics

Emitters (LED's) tuned for high resolution (80 CRI), low color over angle (COA), and high intensity are arrayed on a PCB panel with each emitter located on a copper thermal transfer pad. Collimating optics molded in PMMA acrylic are positioned over each emitter to deliver a specified and uniform distribution of light in either symmetric or asymmetric patterns to maximize delivered footcandles and visual impact. Optional holographic diffusing films are added to further refine the shape and uniformity of the beam. Any one Panel, or group of Panels in a luminaire, have the same optical pattern. ALED™ beam is field adjustable +/- 10 degrees vertically via a patented field accessible hex socket Aiming Port on the upper right-hand side of the fixture.

### LED Driver(s)

Constant current electronic with a power factor of >.90 and a minimum operating temperature of -40°F/-40°C. Driver(s) is/are UL and cUL recognized. In-line terminal blocks facilitate wiring between the driver and optical arrays. Drivers accept an input of 120-277V, 50/60Hz or 347V-480V, 50,60Hz. (0 - 10V dimmable driver is standard. Driver has a minimum of 3KV internal surge protection. Luminaire supplied with 20KV surge protector for field installation.)

### LED Emitters

High output LED's are utilized with drive currents ranging from 175mA to 875mA. 70 Minimum (PLED™) / 80 Minimum (ALED™). LED's are available in standard Neutral White (4000K), or optional Cool White (5000K), Soft White (3000K), or Warm White (2700K). Consult Factory for other LED options.

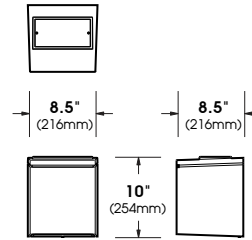
**True Amber LED's** TRA-True Amber LED's emit light in the amber spectral bandwidth centered on 585-590nm. True Amber has negligible blue light and is suitable for wildlife.

### Finish

Super TGIC polyester polymer coating, pre-treated with a four-stage process for maximum adhesion and color retention. Standard Colors Black, White, Grey, Dark Bronze. Optional Marine Grade (1000hrs B117), and available RAL and custom color finishes provided in either polyester powder or liquid.

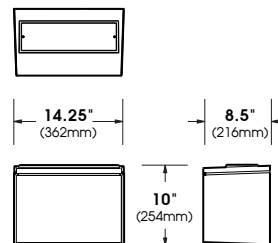
PROJECT NAME: \_\_\_\_\_

FIXTURE TYPE: \_\_\_\_\_



### QBIX-C (Compact)

(Shown with Accent Light up & Area Light down)



### QBIX-M (Medium)

(Shown with Accent Light up & Area Light down)



2025003

## SPECIFICATIONS

### EPA & WEIGHT



**QBX-C-AU**  
Max Weight = 14 lbs  
10 LED Max (ALED™)

Accent Light (ALED™) up, no light down



**QBX-C-AD**  
Max Weight = 14 lbs  
10 LED Max (PLED™)

No light up, Accent Light (ALED™) down



**QBX-C-PD**  
Max Weight = 14 lbs  
16 LED Max (PLED™)

No light up, Area Light (PLED™) down



**QBX-C-AP**  
Max Weight = 14 lbs  
10 LED Max (ALED™)  
16 LED Max (PLED™)

Accent Light (ALED™) up, Area Light (PLED™) down



**QBX-C-AA**  
Max Weight = 14 lbs  
10 LED Max (ALED™)

Accent Light (ALED™) up, Accent Light (ALED™) down



w/ Ambiance Low Luminescence Lens



**QBX-C-PD-AL**  
Max Weight = 22 lbs  
16 LED Max (PLED™)

No light up, Area Light (PLED™) down



**QBX-C-AP-AL**  
Max Weight = 22 lbs  
10 LED Max (ALED™)  
16 LED Max (PLED™)

Accent Light (ALED™) up, Area Light (PLED™) down



**QBX-M-AU**  
Max Weight = 22 lbs  
20 LED Max (ALED™)

Accent Light (ALED™) up, no light down



**QBX-M-AD**  
Max Weight = 22 lbs  
20 LED Max (PLED™)

No light up, Accent Light (ALED™) down



**QBX-M-PD**  
Max Weight = 22 lbs  
32 LED Max (PLED™)

No light up, Area Light (PLED™) down



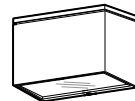
**QBX-M-AP**  
Max Weight = 22 lbs  
20 LED Max (ALED™)  
32 LED Max (PLED™)

Accent Light (ALED™) up, Area Light (PLED™) down



**QBX-M-AA**  
Max Weight = 22 lbs  
20 LED Max (ALED™)

Accent Light (ALED™) up, Accent Light (ALED™) down



w/ Ambiance Low Luminescence Lens



**QBX-M-PD-AL**  
Max Weight = 22 lbs  
32 LED Max (PLED™)

No light up, Area Light (PLED™) down



**QBX-M-AP-AL**  
Max Weight = 22 lbs  
20 LED Max (ALED™)  
32 LED Max (PLED™)

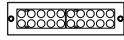
Accent Light (ALED™) up, Area Light (PLED™) down

**LED MODULES**

**ALED™**  
(Accent Up or Down Light)



10 LED Module

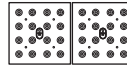


20 LED Module

**PLED™**  
(Area Down Light)



16 LED Module



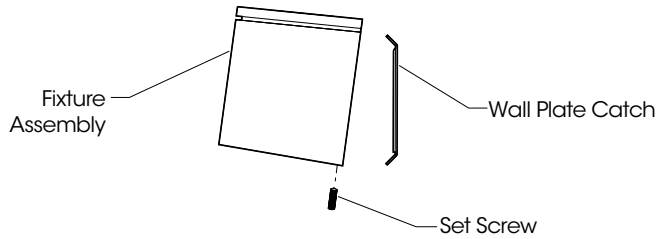
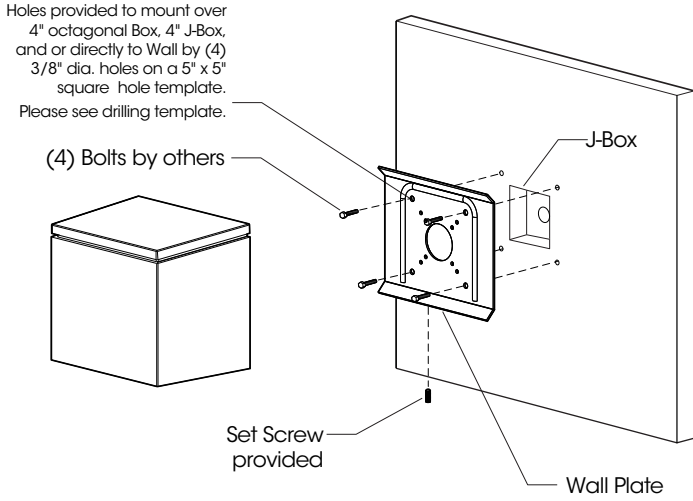
32 LED Module

**ORDERING INFORMATION**

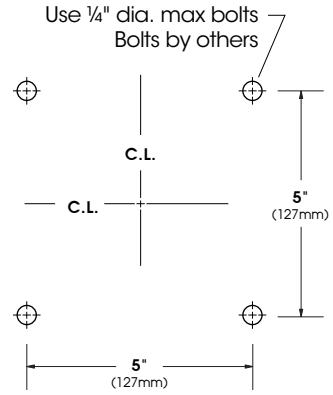
Spec/Order Example: QBX-C-PD/PLED-IV-FT/26W-16L-30K/UNV/9005-T/SP

Luminaire	Optics	LED Mode	Voltage	Finish	Options
Luminaire	Optics	LED	Voltage	Finish	Options
	<b>ALED™</b> Distribution Type Accent Light Up/Down	<b>Wattage &amp; Drive Current</b>  <b>Accent Up/Down</b> <input type="checkbox"/> 30W - 875mA <input type="checkbox"/> 10L <input type="checkbox"/> 24W - 700mA <input type="checkbox"/> 16L <input type="checkbox"/> 18W - 525mA <input type="checkbox"/> 12W - 350mA  <b>Area Down</b> <input type="checkbox"/> 44W - 875mA <input type="checkbox"/> 16L <input type="checkbox"/> 35W - 700mA <input type="checkbox"/> 26W - 525mA <input type="checkbox"/> 17W - 350mA	<input type="checkbox"/> UNV (120-277) <input type="checkbox"/> 347 <input type="checkbox"/> 480	<b>Standard Textured Finish</b> <input type="checkbox"/> Black 9005-T <input type="checkbox"/> White 9003-T <input type="checkbox"/> Grey 7004-T <input type="checkbox"/> Dark Bronze 8019-T <input type="checkbox"/> Green 6005-T  <b>Premium Finish</b> <input type="checkbox"/> Rust <input type="checkbox"/> Patina Copper PGC	<input type="checkbox"/> Internal House Side Shield (PLED™ only) <b>HS</b> <input type="checkbox"/> Single Fuse (120V, 277V) <b>SF</b> <input type="checkbox"/> Double Fuse (208V, 240V) <b>DF</b> <input type="checkbox"/> Emergency Driver <b>EM</b>  <b>Dimming Controls*</b> <input type="checkbox"/> 0V-10V (Standard) <input type="checkbox"/> Blue-Tooth Programmable Photo/Motion Sensor (Factory - Motion 50/100; Photo 75fc) <b>MS-F311</b> <input type="checkbox"/> Microwave Sensor <b>MWS</b> <input type="checkbox"/> DMX/RDM <b>DMX</b> <input type="checkbox"/> DALI <b>DALI</b> <input type="checkbox"/> 3rd Party Controls (Please specify) *
	<b>PLED™</b> Distribution Type Area Down	<b>Accent Up/Down</b> <input type="checkbox"/> 60W - 875mA <input type="checkbox"/> 20L <input type="checkbox"/> 48W - 700mA <input type="checkbox"/> 36W - 525mA <input type="checkbox"/> 24W - 350mA  <b>Area Down</b> <input type="checkbox"/> 88W - 875mA <input type="checkbox"/> 32L <input type="checkbox"/> 70W - 700mA <input type="checkbox"/> 52W - 525mA <input type="checkbox"/> 34W - 350mA	<input type="checkbox"/> TRA <sup>1</sup> True Amber  <b>Color Index</b> <input type="checkbox"/> CRI80 <sup>2</sup> <input type="checkbox"/> CRI70 <sup>3</sup>	<input type="checkbox"/> 0V-10V (Standard) <input type="checkbox"/> Blue-Tooth Programmable Photo/Motion Sensor (Factory - Motion 50/100; Photo 75fc) <b>MS-F311</b> <input type="checkbox"/> Microwave Sensor <b>MWS</b> <input type="checkbox"/> DMX/RDM <b>DMX</b> <input type="checkbox"/> DALI <b>DALI</b> <input type="checkbox"/> 3rd Party Controls (Please specify) *	
<input type="checkbox"/> QBX-C-AU (Accent Up, No Down Light) <input type="checkbox"/> QBX-C-AD (No Up Light, Accent Down) <input type="checkbox"/> QBX-C-PD (No Up Light, Area Down) <input type="checkbox"/> QBX-C-AP (Accent Up, Area Down) <input type="checkbox"/> QBX-C-AA (Accent Up, Accent Down)	<input type="checkbox"/> NS Narrow-Spot (~14°) <input type="checkbox"/> MW MED-ASY (16° x 47°) <input type="checkbox"/> WW WIDE-ASY (17° x 75°)  <input type="checkbox"/> PLED-II <input type="checkbox"/> PLED-II-FR <input type="checkbox"/> PLED-III-M <input type="checkbox"/> PLED-III-W <input type="checkbox"/> PLED-IV <input type="checkbox"/> PLED-IV-FT  Ambience™ Lens Options: (PLED™ only) <input type="checkbox"/> AL-ASY	Consult Factory for Other LED Color, CCT, & CRI Options  NOTES: 1 - 700mA & 875mA not for use with TRA LED's 2 - CRI80 standard on ALED™, optional on PLED™ 3 - CRI70 for use with PLED™ only	For smooth finish replace suffix "T" with suffix "S" (Example: 9500-S)  Consult factor for custom colors	*NOTES: Compatible with all major OEM control systems, ex. NLight, Limglight, Enlighted, please contact factory for details.	

**INSTALLATION DETAIL**



**DRILLING TEMPLATE**



**ELECTRICAL DATA GUIDE - AMPERAGE CHARTS**
**ALED OPTIONS:**

ELECTRICAL LOAD			CURRENT (A)				
# of LEDs	Part	System Watts	120V	208V	277V	347V	480V
10	12W	12	0.10	0.06	0.04	0.04	0.03
10	18W	18	0.15	0.09	0.07	0.05	0.04
10	24W	24	0.20	0.12	0.09	0.07	0.05
10	30W	30	0.25	0.14	0.11	0.09	0.06
20	24W	25	0.21	0.12	0.09	0.07	0.05
20	36W	36	0.30	0.18	0.13	0.10	0.08
20	48W	48	0.40	0.23	0.17	0.14	0.10
20	60W	60	0.50	0.29	0.22	0.17	0.13

**PLED OPTIONS:**

ELECTRICAL LOAD			CURRENT (A)				
# of LEDs	Part	System Watts	120V	208V	277V	347V	480V
16	17W	17	0.14	0.08	0.06	0.05	0.04
16	26W	26	0.22	0.12	0.09	0.07	0.05
16	35W	35	0.29	0.17	0.13	0.10	0.07
16	44W	44	0.37	0.21	0.16	0.13	0.09
32	34W	34	0.29	0.16	0.12	0.10	0.07
32	52W	52	0.43	0.25	0.19	0.15	0.11
32	70W	69	0.58	0.33	0.25	0.20	0.14
32	88W	89	0.74	0.43	0.32	0.26	0.18

NOTE: Total Watts and Amps will be the sum of all options chosen for up and/or downlight. Add the Watts and corresponding Amps for the totals.

**PHOTOMETRIC DATA GUIDE - LM-80 LUMEN MAINTENANCE**

LED LUMEN MAINTENANCE (350mA to 1050mA)		
LED Life / Operating Hours	Lumen Depreciation	Lumen Depreciation Scale Factor
60,000	L96	0.96x
100,000 (6X LED Test Hrs)	L93	0.93x
150,000 (Theoretical)	L89	0.90x
200,000 (Theoretical)	L86	0.87x

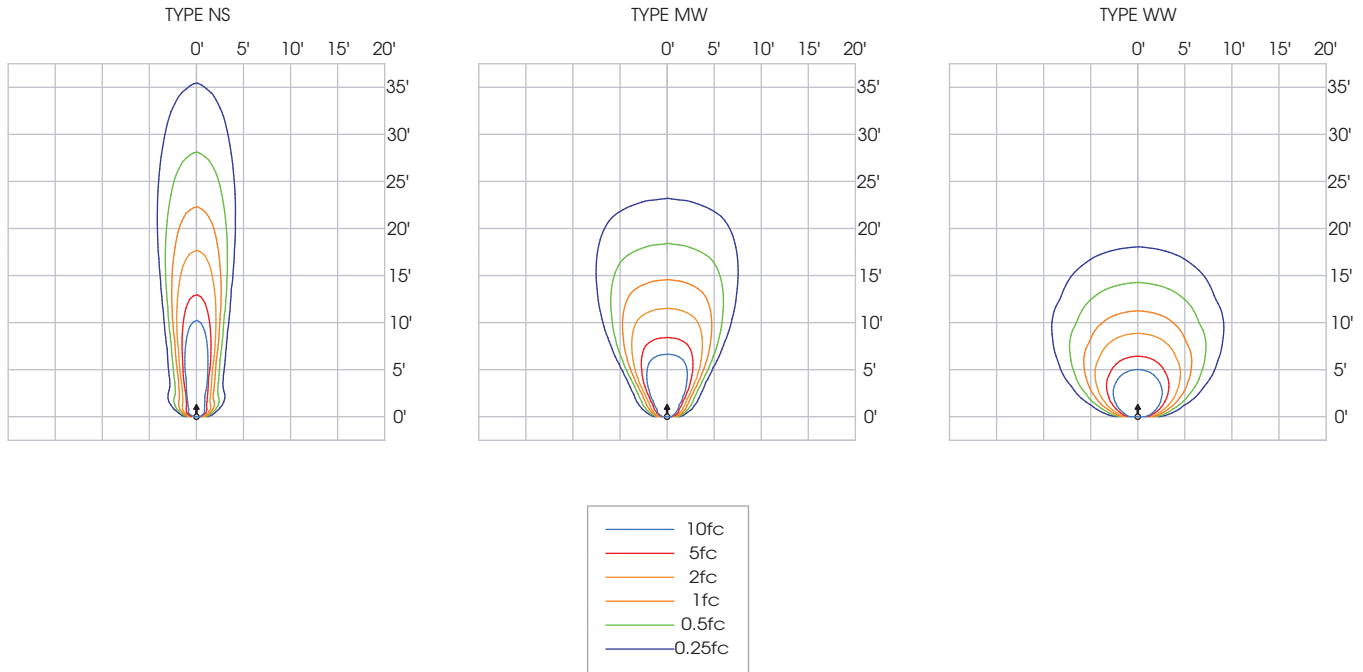
TM-21 6x Test Time Dictates that L93 > 100,000 Hours.

Lumen Depreciation Calculations Done in Accordance With IESNA TM-21 & LM-80 (25°C Ambient)

IES File downloads for this product can be found at [www.usaltg.com/downloads/wm.html](http://www.usaltg.com/downloads/wm.html)

**PHOTOMETRIC GUIDE - ISOFOOTCANDLE PLOTS (QBIX-C-ALED)**

**QBIX-C-AU-ALED-30W-10LED-40K**



**PHOTOMETRIC GUIDE - LUMEN TABLES (QBIX-C-ALED)**

QBIX-C-Ax-ALED																		
LED Count	System Watts	Dist'n Type	27K (2700K - 80CRI)			30K (3000K - 80CRI)			40K (4000K - 80CRI)			50K (5000K - 80CRI)			System Watts	TRA (590nm)		
			LUMENS	LPW	BEAM ANGLE	LUMENS	LPW	BEAM ANGLE	LUMENS	LPW	BEAM ANGLE	LUMENS	LPW	BEAM ANGLE		LUMENS	LPW	BEAM ANGLE
10	12W	NS	1388	114	15.2 x 14.7	1449	119	15.2 x 14.7	1509	124	15.2 x 14.7	1569	129	15.2 x 14.7	10W	483	50	15.2 x 14.7
		MW	1319	108	47.4 x 16.1	1376	113	47.4 x 16.1	1433	117	47.4 x 16.1	1490	122	47.4 x 16.1		459	48	47.4 x 16.1
		WW	1151	94	75.2 x 17	1201	98	75.2 x 17	1251	103	75.2 x 17	1301	107	75.2 x 17		400	42	75.2 x 17
	18W	NS	1953	107	15.3 x 14.8	2038	112	15.3 x 14.8	2123	117	15.3 x 14.8	2207	121	15.3 x 14.8	14W	552	39	15 x 14.8
		MW	1855	102	47.4 x 16.1	1936	106	47.4 x 16.1	2017	111	47.4 x 16.1	2097	115	47.4 x 16.1		524	37	47.4 x 16.1
		WW	1651	91	75.3 x 17	1723	95	75.2 x 17	1795	99	75.2 x 17	1867	103	75.3 x 17		467	33	75.2 x 16.9
	24W	NS	2475	103	14.8 x 14.4	2583	108	14.8 x 14.4	2690	112	14.8 x 14.4	2797	117	14.8 x 14.4	N/A	N/A		
		MW	2352	98	47.4 x 16.1	2454	102	47.4 x 16.1	2557	107	47.4 x 16.1	2659	111	47.4 x 16.1		N/A		
		WW	2090	87	75.2 x 17	2181	91	75.3 x 17	2272	95	75.2 x 17	2363	98	75.2 x 17		N/A		
	30W	NS	2954	98	15.2 x 14.7	3083	102	15.2 x 14.7	3211	107	15.2 x 14.7	3339	111	15.2 x 14.7	N/A	N/A		
		MW	2807	93	47.4 x 16.1	2929	97	47.4 x 16.1	3050	101	47.4 x 16.1	3172	105	47.4 x 16.1		N/A		
			WW	2506	83	75.2 x 17	2615	87	75.3 x 17	2724	91	75.2 x 17	2833	94	75.2 x 17	N/A		

IES File downloads for this product can be found at [www.usaltg.com/downloads/wm.html](http://www.usaltg.com/downloads/wm.html)



## PHOTOMETRIC GUIDE - LUMEN TABLES (QBIX-C-PLED)

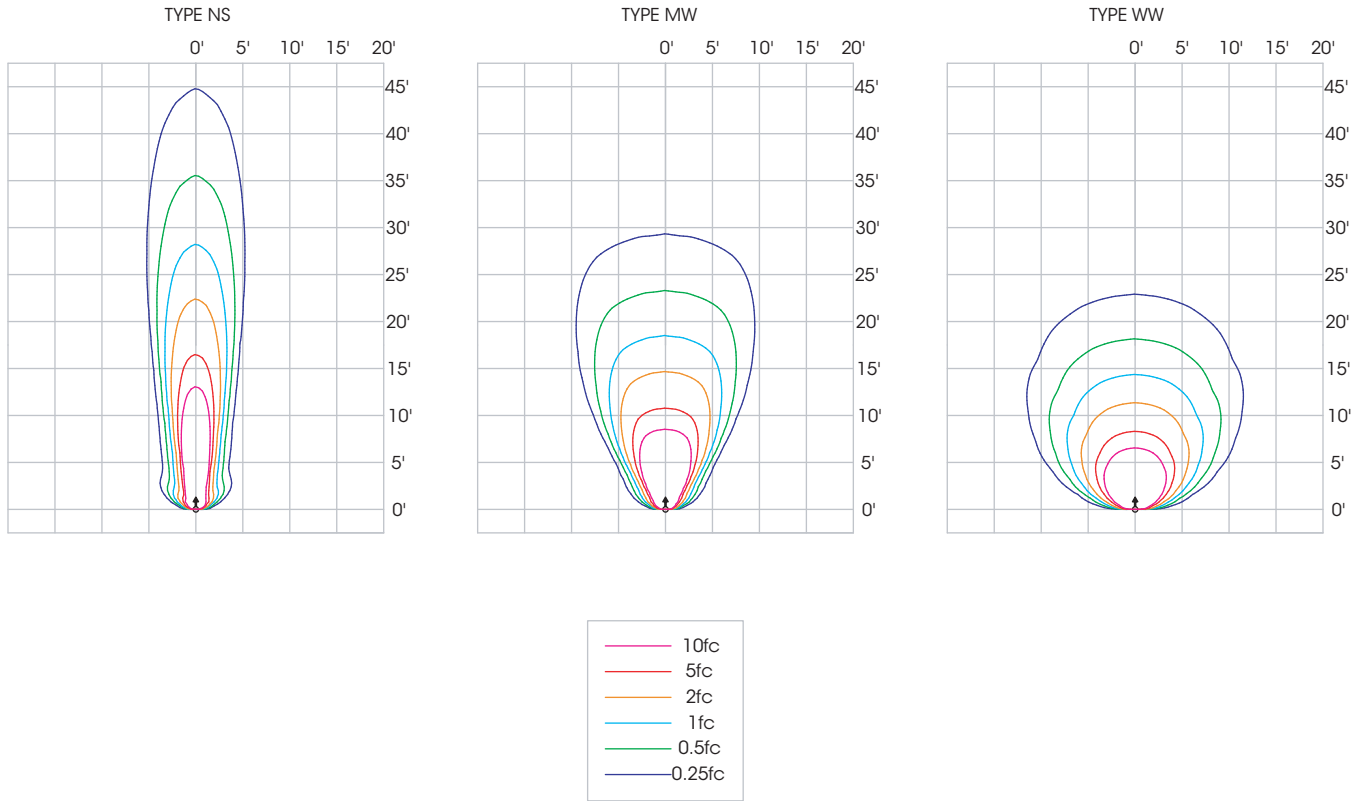
QBIX-C-PD-PLED																		
LED Count	System Watts	Dist'n Type	27K (2700K - 70CRI)			30K (3000K - 70CRI)			40K (4000K - 70CRI)			50K (5000K - 70CRI)			System Watts	TRA (590nm)		
			LUMENS	LPW	BUG RATING	LUMENS	LPW	BUG RATING	LUMENS	LPW	BUG RATING	LUMENS	LPW	BUG RATING		LUMENS	LPW	BUG RATING
16	17W	II	2526	147	B1-U0-G1	2636	153	B1-U0-G1	2746	160	B1-U0-G1	2856	166	B1-U0-G1	13W	878	66	B0-U0-G0
		II-FR	2543	148	B1-U0-G1	2654	154	B1-U0-G1	2764	161	B1-U0-G1	2875	167	B1-U0-G1		884	66	B0-U0-G0
		III-M	2570	149	B1-U0-G1	2682	156	B1-U0-G1	2794	162	B1-U0-G1	2906	169	B1-U0-G1		894	67	B0-U0-G0
		III-W	2387	139	B1-U0-G1	2490	145	B1-U0-G1	2594	151	B1-U0-G1	2698	157	B1-U0-G1		830	62	B0-U0-G1
		IV	2551	148	B1-U0-G1	2662	155	B1-U0-G1	2773	161	B1-U0-G1	2884	168	B1-U0-G1		887	66	B0-U0-G0
		IV-FT	2324	135	B1-U0-G1	2425	141	B1-U0-G1	2526	147	B1-U0-G1	2627	153	B1-U0-G1		808	60	B0-U0-G1
		II-HS	1848	107	B0-U0-G1	1928	112	B0-U0-G1	2008	117	B0-U0-G1	2088	121	B0-U0-G1		643	48	B0-U0-G0
		II-FR-HS	1880	109	B0-U0-G0	1961	114	B0-U0-G0	2043	119	B0-U0-G0	2124	124	B0-U0-G0		654	49	B0-U0-G0
		III-M-HS	1869	109	B0-U0-G1	1951	113	B0-U0-G1	2032	118	B0-U0-G1	2113	123	B0-U0-G1		650	49	B0-U0-G0
		III-W-HS	1830	106	B0-U0-G1	1909	111	B0-U0-G1	1989	116	B0-U0-G1	2068	120	B0-U0-G1		637	48	B0-U0-G1
		IV-HS	1931	112	B0-U0-G1	2014	117	B0-U0-G1	2098	122	B0-U0-G1	2182	127	B0-U0-G1		671	50	B0-U0-G0
		IV-FT-HS	1824	106	B0-U0-G1	1904	111	B0-U0-G1	1983	115	B0-U0-G1	2062	120	B0-U0-G1		634	47	B0-U0-G1
16	26W	II	3626	140	B1-U0-G1	3784	146	B1-U0-G1	3942	152	B1-U0-G1	4100	158	B1-U0-G1	20W	1025	51	B0-U0-G0
		II-FR	3651	141	B1-U0-G1	3810	147	B1-U0-G1	3968	153	B1-U0-G1	4127	159	B1-U0-G1		1032	51	B0-U0-G0
		III-M	3690	142	B1-U0-G1	3851	149	B1-U0-G1	4011	155	B1-U0-G1	4171	161	B1-U0-G1		1043	52	B0-U0-G0
		III-W	3426	132	B1-U0-G1	3575	138	B1-U0-G1	3724	144	B1-U0-G1	3873	150	B1-U0-G1		968	48	B0-U0-G1
		IV	3662	141	B1-U0-G1	3822	148	B1-U0-G1	3981	154	B1-U0-G1	4140	160	B1-U0-G1		1035	51	B0-U0-G0
		IV-FT	3336	129	B1-U0-G2	3481	134	B1-U0-G2	3626	140	B1-U0-G2	3771	146	B1-U0-G2		943	47	B0-U0-G1
		II-HS	2653	102	B0-U0-G1	2768	107	B0-U0-G1	2883	111	B0-U0-G1	2998	116	B0-U0-G1		749	37	B0-U0-G0
		II-FR-HS	2698	104	B0-U0-G0	2816	109	B0-U0-G0	2933	113	B0-U0-G0	3050	118	B0-U0-G0		762	38	B0-U0-G0
		III-M-HS	2684	104	B0-U0-G1	2801	108	B0-U0-G1	2917	113	B0-U0-G1	3033	117	B0-U0-G1		758	38	B0-U0-G0
		III-W-HS	2627	101	B0-U0-G1	2741	106	B0-U0-G1	2855	110	B0-U0-G1	2969	115	B0-U0-G1		742	37	B0-U0-G1
		IV-HS	2772	107	B0-U0-G1	2892	112	B0-U0-G1	3013	116	B0-U0-G1	3133	121	B0-U0-G1		783	39	B0-U0-G0
		IV-FT-HS	2619	101	B0-U0-G1	2733	106	B0-U0-G1	2847	110	B0-U0-G1	2961	114	B0-U0-G1		740	37	B0-U0-G1
16	35W	II	4590	132	B1-U0-G1	4789	138	B1-U0-G1	4989	144	B1-U0-G1	5188	150	B1-U0-G1	N/A	N/A		
		II-FR	4620	133	B1-U0-G1	4821	139	B1-U0-G1	5022	145	B1-U0-G1	5223	151	B1-U0-G1				
		III-M	4670	135	B1-U0-G1	4873	140	B1-U0-G1	5076	146	B1-U0-G1	5279	152	B1-U0-G1				
		III-W	4336	125	B1-U0-G2	4525	130	B1-U0-G2	4713	136	B1-U0-G2	4902	141	B1-U0-G2				
		IV	4635	134	B1-U0-G1	4837	139	B1-U0-G1	5038	145	B1-U0-G1	5240	151	B1-U0-G1				
		IV-FT	4222	122	B1-U0-G2	4406	127	B1-U0-G2	4589	132	B1-U0-G2	4773	138	B1-U0-G2				
		II-HS	3357	97	B0-U0-G1	3503	101	B0-U0-G1	3649	105	B0-U0-G1	3795	109	B0-U0-G1				
		II-FR-HS	3415	98	B0-U0-G1	3563	103	B0-U0-G1	3712	107	B0-U0-G1	3860	111	B0-U0-G1				
		III-M-HS	3397	98	B0-U0-G1	3544	102	B0-U0-G1	3692	106	B0-U0-G1	3839	111	B0-U0-G1				
		III-W-HS	3324	96	B0-U0-G1	3469	100	B0-U0-G1	3613	104	B0-U0-G2	3758	108	B0-U0-G2				
		IV-HS	3508	101	B0-U0-G1	3660	105	B0-U0-G1	3813	110	B0-U0-G1	3965	114	B0-U0-G1				
		IV-FT-HS	3315	96	B0-U0-G2	3459	100	B0-U0-G2	3603	104	B0-U0-G2	3748	108	B0-U0-G2				
16	44W	II	5503	124	B1-U0-G1	5742	130	B1-U0-G1	5981	135	B2-U0-G1	6221	140	B2-U0-G1	N/A	N/A		
		II-FR	5540	125	B1-U0-G1	5781	130	B2-U0-G1	6022	136	B2-U0-G1	6263	141	B2-U0-G1				
		III-M	5599	126	B1-U0-G1	5843	132	B1-U0-G2	6086	137	B1-U0-G2	6330	143	B2-U0-G2				
		III-W	5199	117	B1-U0-G2	5425	122	B1-U0-G2	5651	128	B1-U0-G2	5877	133	B1-U0-G2				
		IV	5558	125	B1-U0-G1	5799	131	B1-U0-G1	6041	136	B1-U0-G2	6283	142	B2-U0-G2				
		IV-FT	5063	114	B1-U0-G2	5283	119	B1-U0-G2	5503	124	B1-U0-G2	5723	129	B1-U0-G2				
		II-HS	4025	91	B0-U0-G1	4200	95	B0-U0-G1	4375	99	B0-U0-G1	4550	103	B1-U0-G1				
		II-FR-HS	4095	92	B0-U0-G1	4273	96	B0-U0-G1	4450	100	B0-U0-G1	4628	104	B0-U0-G1				
		III-M-HS	4072	92	B0-U0-G1	4250	96	B0-U0-G2	4426	100	B0-U0-G2	4603	104	B0-U0-G2				
		III-W-HS	3986	90	B0-U0-G2	4159	94	B0-U0-G2	4332	98	B0-U0-G2	4506	102	B0-U0-G2				
		IV-HS	4206	95	B0-U0-G1	4389	99	B0-U0-G1	4572	103	B0-U0-G1	4754	107	B0-U0-G2				
		IV-FT-HS	3975	90	B0-U0-G2	4147	94	B0-U0-G2	4320	98	B0-U0-G2	4493	101	B0-U0-G2				

IES File downloads for this product can be found at [www.usaltg.com/downloads/wm.html](http://www.usaltg.com/downloads/wm.html)



**PHOTOMETRIC GUIDE - ISOFOOTCANDLE PLOTS (QBIX-M-ALED)**

**QBIX-M-AU-ALED-60W-20L-40K**



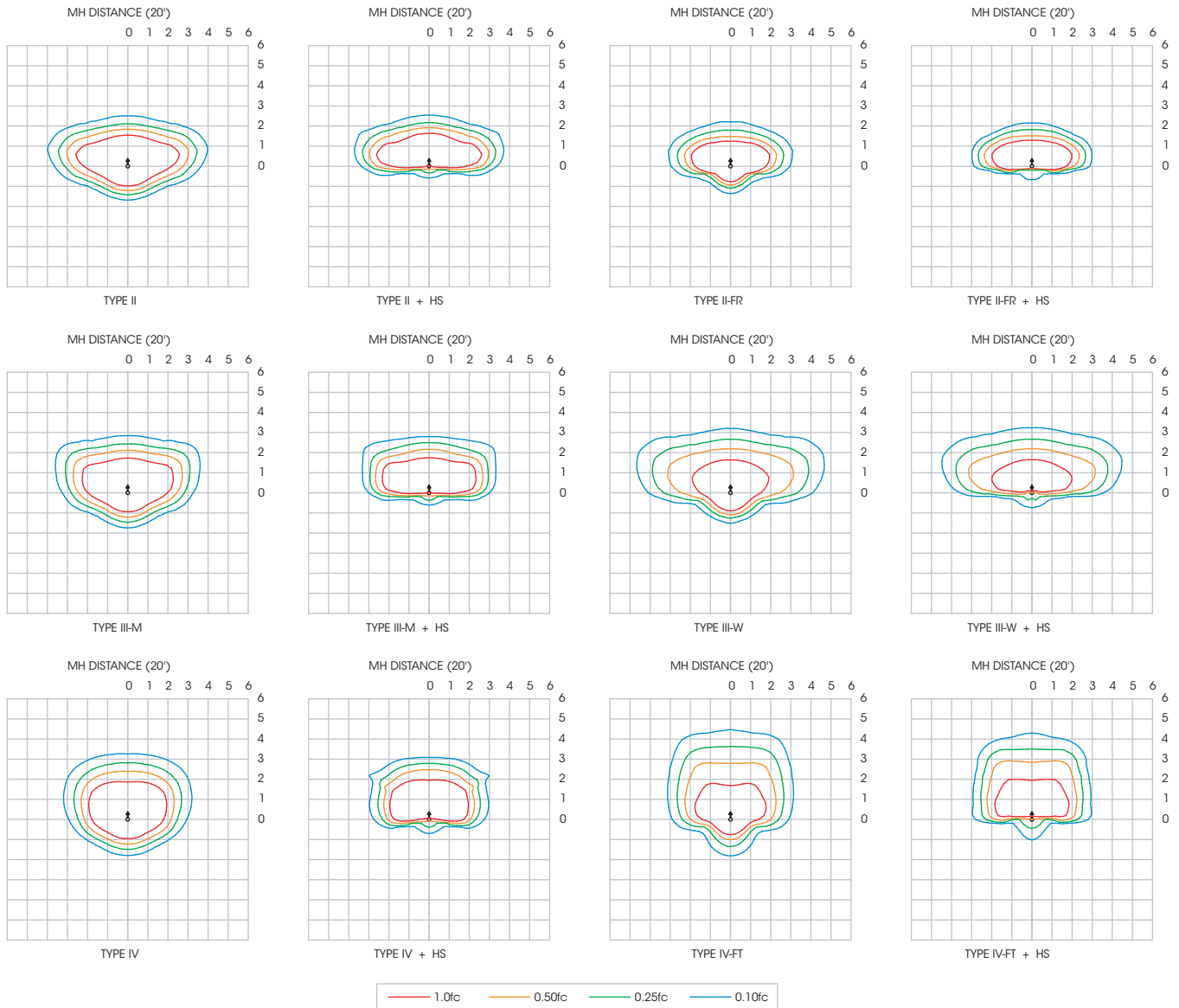
**PHOTOMETRIC GUIDE - LUMEN TABLES (QBIX-M-ALED)**

QBIX-M-Ax-ALED																		
LED Count	System Watts	Dist'n Type	27K (2700K - 80CRI)			30K (3000K - 80CRI)			40K (4000K - 80CRI)			50K (5000K - 80CRI)			System Watts	TRA (590nm)		
			LUMENS	LPW	BEAM ANGLE	LUMENS	LPW	BEAM ANGLE	LUMENS	LPW	BEAM ANGLE	LUMENS	LPW	BEAM ANGLE		LUMENS	LPW	BEAM ANGLE
20	24W	NS	2776	113	15.2 x 14.7	2897	118	15.2 x 14.7	3018	123	15.2 x 14.7	3138	128	15.2 x 14.7	20W	966	50	15.2 x 14.7
		MW	2638	107	47.4 x 16.1	2752	112	47.4 x 16.1	2867	117	47.4 x 16.1	2981	121	47.4 x 16.1		918	48	47.4 x 16.1
		WW	2301	94	75.2 x 17	2402	98	75.2 x 17	2502	103	75.2 x 17	2602	107	75.2 x 17		801	42	75.2 x 17
	36W	NS	3906	107	15.3 x 14.8	4076	112	15.3 x 14.8	4245	117	15.3 x 14.8	4415	121	15.3 x 14.8	28W	1104	39	15.3 x 14.8
		MW	3711	102	47.4 x 16.1	3872	106	47.4 x 16.1	4033	111	47.4 x 16.1	4194	115	47.4 x 16.1		1049	37	47.4 x 16.1
		WW	3303	91	75.3 x 17	3447	95	75.3 x 17	3590	99	75.2 x 17	3734	103	75.2 x 17		934	33	75.3 x 17
	48W	NS	4950	103	14.8 x 14.4	5165	108	14.8 x 14.4	5380	112	14.8 x 14.4	5595	117	14.8 x 14.4	N/A	N/A		
		MW	4705	98	47.4 x 16.1	4909	102	47.4 x 16.1	5113	107	47.4 x 16.1	5317	111	47.4 x 16.1		N/A		
		WW	4181	87	75.2 x 17	4363	91	75.2 x 17	4544	95	75.2 x 17	4726	98	75.2 x 17		N/A		
	60W	NS	5909	98	15.2 x 14.7	6165	102	15.2 x 14.7	6422	107	15.2 x 14.7	6679	111	15.2 x 14.7	N/A	N/A		
		MW	5613	93	47.4 x 16.1	5857	97	47.4 x 16.1	6101	101	47.4 x 16.1	6345	105	47.4 x 16.1		N/A		
		WW	5013	83	75.2 x 17	5231	87	75.2 x 17	5449	91	75.2 x 17	5667	94	75.2 x 17		N/A		

IES File downloads for this product can be found at [www.usaltg.com/downloads/wm.html](http://www.usaltg.com/downloads/wm.html)

**PHOTOMETRIC GUIDE - ISOFOOTCANDLE PLOTS (QBIX-M-PLED)**

**QBIX-M-PD-PLED-40LED-700mA-40K - 20' Mounting Height**



IES File downloads for this product can be found at [www.usaltg.com/downloads/wm.html](http://www.usaltg.com/downloads/wm.html)

## PHOTOMETRIC GUIDE - LUMEN TABLES (QBIX-M-PLD)

QBIX-M-PD-PLD																		
LED Count	System Watts	Dist'n Type	27K (2700K - 70CRI)			30K (3000K - 70CRI)			40K (4000K - 70CRI)			50K (5000K - 70CRI)			System Watts	TRA (590nm)		
			LUMENS	LPW	BUG RATING	LUMENS	LPW	BUG RATING	LUMENS	LPW	BUG RATING	LUMENS	LPW	BUG RATING		LUMENS	LPW	BUG RATING
32	34W	II	5052	147	B1-U0-G1	5271	154	B1-U0-G1	5491	160	B1-U0-G1	5711	166	B1-U0-G1	26W	1757	66	B1-U0-G1
		II-FR	5086	148	B1-U0-G1	5307	155	B1-U0-G1	5528	161	B1-U0-G1	5749	168	B2-U0-G1		1769	66	B1-U0-G0
		III-M	5140	150	B1-U0-G1	5364	156	B1-U0-G1	5587	163	B1-U0-G1	5811	169	B1-U0-G2		1788	67	B1-U0-G1
		III-W	4773	139	B1-U0-G2	4980	145	B1-U0-G2	5188	151	B1-U0-G2	5395	157	B1-U0-G2		1660	62	B0-U0-G1
		IV	5102	149	B1-U0-G1	5324	155	B1-U0-G1	5546	162	B1-U0-G1	5767	168	B1-U0-G2		1775	66	B1-U0-G1
		IV-FT	4647	135	B1-U0-G2	4849	141	B1-U0-G2	5052	147	B1-U0-G2	5254	153	B1-U0-G2		1617	60	B0-U0-G1
		II-HS	3695	108	B0-U0-G1	3856	112	B0-U0-G1	4016	117	B0-U0-G1	4177	122	B0-U0-G1		1285	48	B0-U0-G0
		II-FR-HS	3759	110	B0-U0-G1	3922	114	B0-U0-G1	4085	119	B0-U0-G1	4249	124	B0-U0-G1		1308	49	B0-U0-G0
		III-M-HS	3739	109	B0-U0-G1	3901	114	B0-U0-G1	4064	118	B0-U0-G1	4226	123	B0-U0-G2		1300	49	B0-U0-G0
		III-W-HS	3659	107	B0-U0-G2	3818	111	B0-U0-G2	3977	116	B0-U0-G2	4136	121	B0-U0-G2		1273	47	B0-U0-G1
		IV-HS	3861	113	B0-U0-G1	4029	117	B0-U0-G1	4197	122	B0-U0-G1	4364	127	B0-U0-G1		1343	50	B0-U0-G0
		IV-FT-HS	3649	106	B0-U0-G2	3807	111	B0-U0-G2	3966	116	B0-U0-G2	4125	120	B0-U0-G2		1269	47	B0-U0-G1
32	52W	II	7253	140	B2-U0-G2	7568	146	B2-U0-G2	7884	152	B2-U0-G2	8199	158	B2-U0-G2	40W	2050	51	B1-U0-G1
		II-FR	7302	141	B2-U0-G1	7620	147	B2-U0-G1	7937	153	B2-U0-G1	8254	159	B2-U0-G1		2064	51	B1-U0-G0
		III-M	7380	142	B2-U0-G2	7701	148	B2-U0-G2	8022	155	B2-U0-G2	8343	161	B2-U0-G2		2086	51	B1-U0-G1
		III-W	6852	132	B1-U0-G2	7150	138	B1-U0-G2	7448	144	B1-U0-G2	7746	149	B1-U0-G2		1936	48	B1-U0-G1
		IV	7325	141	B2-U0-G2	7643	147	B2-U0-G2	7962	153	B2-U0-G2	8280	160	B2-U0-G2		2070	51	B1-U0-G1
		IV-FT	6672	129	B1-U0-G2	6963	134	B1-U0-G2	7253	140	B1-U0-G3	7543	145	B2-U0-G3		1886	47	B1-U0-G1
		II-HS	5305	102	B1-U0-G2	5536	107	B1-U0-G2	5766	111	B1-U0-G2	5997	116	B1-U0-G2		1499	37	B0-U0-G0
		II-FR-HS	5396	104	B0-U0-G1	5631	109	B1-U0-G1	5866	113	B1-U0-G1	6100	118	B1-U0-G1		1525	38	B0-U0-G0
		III-M-HS	5367	103	B0-U0-G2	5601	108	B0-U0-G2	5834	112	B0-U0-G2	6067	117	B0-U0-G2		1517	37	B0-U0-G0
		III-W-HS	5253	101	B0-U0-G2	5482	106	B0-U0-G2	5710	110	B0-U0-G2	5938	114	B0-U0-G2		1484	37	B0-U0-G1
		IV-HS	5543	107	B0-U0-G2	5785	111	B0-U0-G2	6025	116	B0-U0-G2	6266	121	B0-U0-G2		1567	39	B0-U0-G0
		IV-FT-HS	5238	101	B0-U0-G2	5466	105	B0-U0-G2	5694	110	B0-U0-G2	5922	114	B0-U0-G2		1480	37	B0-U0-G1
32	70W	II	9179	132	B2-U0-G2	9578	138	B2-U0-G2	9977	144	B2-U0-G2	10376	150	B2-U0-G2	N/A	N/A		
		II-FR	9241	133	B2-U0-G1	9642	139	B2-U0-G1	10044	145	B2-U0-G1	10446	151	B2-U0-G1				
		III-M	9340	135	B2-U0-G2	9746	140	B2-U0-G2	10152	146	B2-U0-G2	10558	152	B2-U0-G2				
		III-W	8672	125	B2-U0-G2	9049	130	B2-U0-G3	9426	136	B2-U0-G3	9803	141	B2-U0-G3				
		IV	9270	134	B2-U0-G2	9673	139	B2-U0-G2	10076	145	B2-U0-G2	10479	151	B2-U0-G2				
		IV-FT	8444	122	B2-U0-G3	8812	127	B2-U0-G3	9179	132	B2-U0-G3	9546	138	B2-U0-G3				
		II-HS	6714	97	B1-U0-G2	7006	101	B1-U0-G2	7297	105	B1-U0-G2	7589	109	B1-U0-G2				
		II-FR-HS	6829	98	B1-U0-G1	7126	103	B1-U0-G1	7423	107	B1-U0-G1	7720	111	B1-U0-G1				
		III-M-HS	6792	98	B0-U0-G2	7088	102	B0-U0-G2	7383	106	B0-U0-G2	7678	111	B1-U0-G2				
		III-W-HS	6648	96	B0-U0-G2	6937	100	B0-U0-G2	7226	104	B0-U0-G2	7515	108	B0-U0-G2				
		IV-HS	7015	101	B0-U0-G2	7320	105	B0-U0-G2	7625	110	B1-U0-G2	7930	114	B1-U0-G2				
		IV-FT-HS	6629	96	B0-U0-G2	6917	100	B1-U0-G2	7206	104	B1-U0-G3	7494	108	B1-U0-G3				
32	88W	II	11006	124	B2-U0-G2	11484	130	B2-U0-G2	11963	135	B2-U0-G2	12441	140	B2-U0-G2	N/A	N/A		
		II-FR	11080	125	B2-U0-G1	11562	130	B3-U0-G1	12044	136	B3-U0-G1	12526	141	B3-U0-G1				
		III-M	11199	126	B2-U0-G2	11686	132	B2-U0-G2	12173	137	B2-U0-G2	12660	143	B2-U0-G2				
		III-W	10398	117	B2-U0-G3	10851	122	B2-U0-G3	11303	128	B2-U0-G3	11755	133	B2-U0-G3				
		IV	11115	125	B2-U0-G2	11599	131	B2-U0-G2	12082	136	B2-U0-G2	12565	142	B2-U0-G2				
		IV-FT	10125	114	B2-U0-G3	10565	119	B2-U0-G3	11006	124	B2-U0-G3	11446	129	B2-U0-G3				
		II-HS	8050	91	B1-U0-G2	8400	95	B1-U0-G2	8750	99	B1-U0-G2	9100	103	B1-U0-G2				
		II-FR-HS	8189	92	B1-U0-G1	8545	96	B1-U0-G1	8901	100	B1-U0-G1	9256	104	B1-U0-G1				
		III-M-HS	8145	92	B1-U0-G2	8499	96	B1-U0-G2	8853	100	B1-U0-G2	9207	104	B1-U0-G2				
		III-W-HS	7971	90	B1-U0-G2	8318	94	B1-U0-G2	8665	98	B1-U0-G2	9011	102	B1-U0-G2				
		IV-HS	8412	95	B1-U0-G2	8777	99	B1-U0-G2	9143	103	B1-U0-G2	9509	107	B1-U0-G2				
		IV-FT-HS	7949	90	B1-U0-G3	8295	94	B1-U0-G3	8640	98	B1-U0-G3	8986	101	B1-U0-G3				

IES File downloads for this product can be found at [www.usaltg.com/downloads/wm.html](http://www.usaltg.com/downloads/wm.html)