

 ROUND TAPERED STEEL POLE

# RTS

### Shaft

Round, fabricated from high grade structural steel tube. Shaft conforms to ASTM-A-501-68 specifications. Meets or exceeds minimum yield strength of 46,000 P.S.I. Wall thickness 11 GA. (.120 wall) or 7 GA. (.180 wall) as specified. Shaft is furnished with ground lug located inside pole on wall opposite hand hole.

### Drilling Side Mount

A removable pole cap is included. Pole will be drilled to match U.S. Architectural fixtures. For other Drilling required, please specify DP after specified drill pattern. (example: 2-180DP)

### Pole Top Mount

Standard pole top mount - PT27, fabricated from 2.5" (2.875" O.D.) steel pipe - tenon options available for pole tops please see Mounting column. For other pole top configurations please consult factory.

### Hand Hole Cover

**Steel Poles 15 feet and above** - Supplied with reinforced steel 2 5/8" x 4 5/8" access opening. Hand Hole provided with rectangular 3"x5" stamped heavy gauge aluminum material. Sealed door is secured by a formed aluminum bar and a stainless steel, tamper proof screw.

**Poles under 15 feet** - Rectangular 3"x5" stamped heavy gauge aluminum material, 2 1/4" x 4 1/4" access opening. Sealed door is secured by a formed aluminum bar and a stainless steel, tamper proof screw.

### Base Plate

Fabricated from structural quality hot rolled steel. Meets or exceeds minimum yield strength of 36,000 P.S.I. Base telescopes and is circumferentially welded to pole shaft. Slotted bolt holes provide 1" flexibility on either side of bolt circle centerline.

### Anchorage

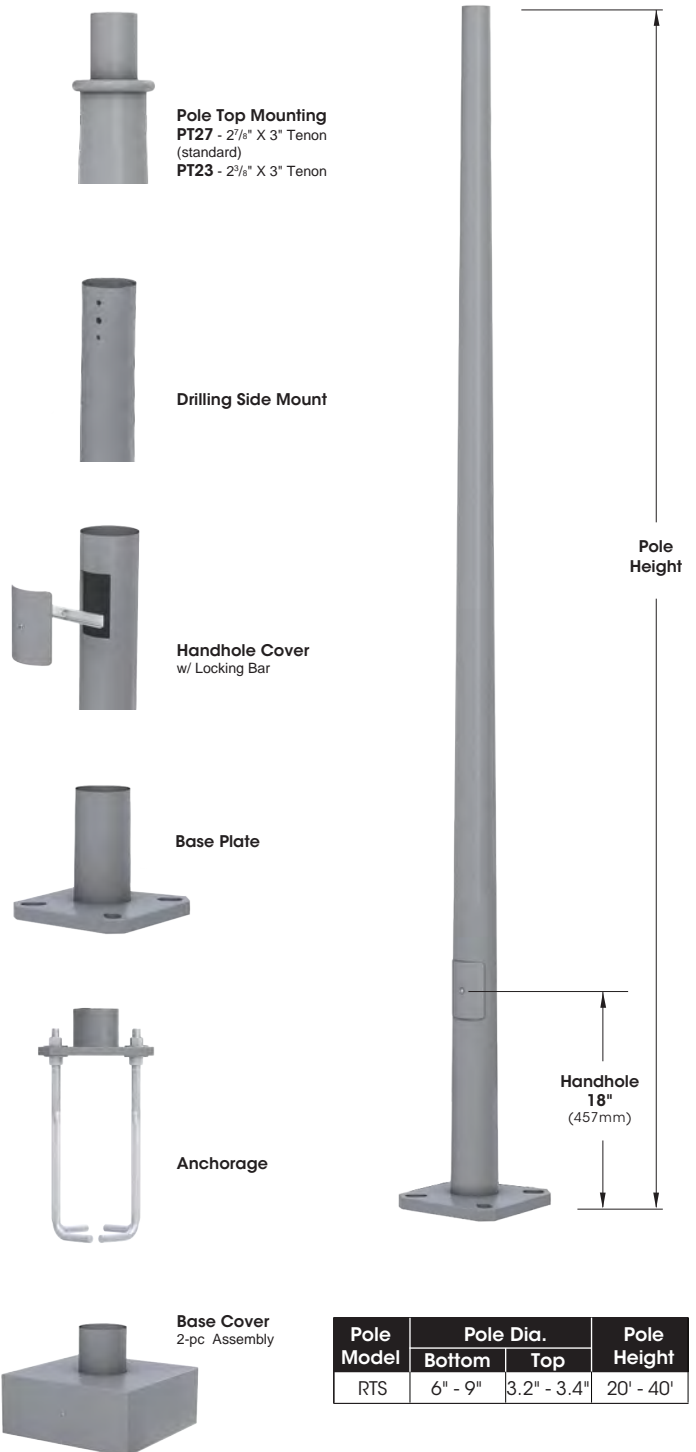
(4) anchor bolts fabricated from hot rolled steel bar. Minimum yield strength of 50,000 P.S.I. Bolts have "L" bend on one end and are threaded on the other. Bolts are fully galvanized and are furnished with two nuts and two washers.

### Base Cover

Fabricated from heavy gauge quality carbon steel. Two-piece cover conceals base.

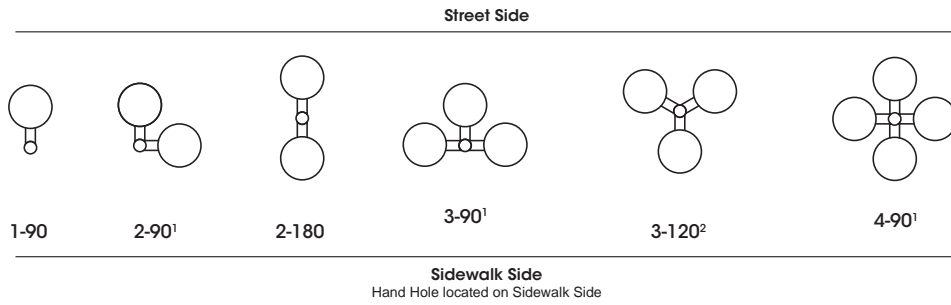
### Finish

Electrostatically applied TGIC Polyester Powder Coat on substrate prepared with 20 PSI power wash at 140°F. Four step media blast and iron phosphate pretreatment for protection and paint adhesion. 400°F bake for maximum hardness and durability.



Pole Model	Pole Dia.		Pole Height
	Bottom	Top	
RTS	6" - 9"	3.2" - 3.4"	20' - 40'

## DRILLING SIDE MOUNT



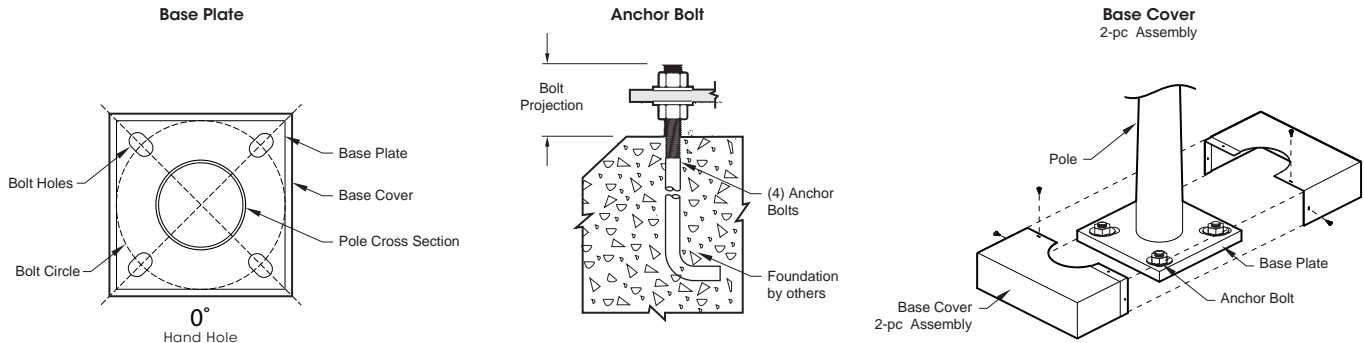
**Notes**

- 1- Poles smaller than 5" Dia. at top, or Non Linear Drilling requires PT27 and T490 Adaptor. (Adaptor is rotatable)
- 2- Poles smaller than 5" Dia. at top, or Non Linear Drilling requires PT27 and T3120 Adaptor. (Adaptor is rotatable)

When drilling pattern from other manufacturer's fixture is required, add "DP" to drill specifications. (Example: 2-180DP) **Drilling template must be provided.**

In the case of other manufacturer's drilling pattern, customer must provide drilling pattern.

## BOLT CIRCLE



Catalog Number	POLE								ANCHOR BOLTS				ANCHOR PLATE		
	Height		Bottom - Top			Wall Thickness (In/Ga)	Weight (lbs)	Bolt Size	Bolt Projection above grade <sup>2,3</sup>	Bolt Circle Dia Range <sup>1</sup>	Bolt Circle Dia (In) (Rec.) <sup>1</sup>	Template	Base Plate	Cover	
	Fi	M	In	Cm											
RTS 20-11	20	6.10	6.00	3.20	15.24	8.13	11	154	1" x 36" x 4"	4" - 4½"	10½" - 12½"	12"	US12	1" x 11½" x 11½"	5" x 12" x 12"
RTS 25-11	25	7.62	7.00	3.50	17.78	8.89	11	189	1" x 36" x 4"	4" - 4½"	10½" - 12½"	12"	US12	1" x 11½" x 11½"	5" x 12" x 12"
RTS 30-11	30	9.15	8.00	3.80	20.32	9.65	11	243	1" x 36" x 4"	4" - 4½"	11½" - 14½"	12"	US12	1" x 13½" x 13½"	5" x 14" x 14"
RTS 35-11	35	10.67	8.50	3.60	21.59	9.14	11	297	1" x 36" x 4"	4" - 4½"	11½" - 14½"	12"	US12	1" x 13½" x 13½"	5" x 14" x 14"
RTS 40-11	40	12.20	9.00	3.40	22.86	8.64	11	340	1" x 36" x 4"	4" - 4½"	11½" - 14½"	13"	US13	1" x 13½" x 13½"	5" x 14" x 14"
RTS 40-7	40	12.20	9.00	3.40	22.86	8.64	7	492	1¼" x 42" x 6"	4¼" - 4¾"	11½" - 14½"	14"	US14	1" x 13½" x 13½"	5" x 14" x 14"

1 - Not using correct bolt size or "(REC.) Recommended" Bolt Circle could result in Pole's failure.  
 2 - Bolt Projection is calculated for slopes with 3 degrees or less.  
 3 - For slopes greater than 3 degrees, please add Bolt Length Projection as necessary.

## ORDERING INFORMATION

Spec/Order Example: RTS25-11/1-90/RAL-6005-T

Pole Model Number					Mounting	Finish	Options
Pole Model Number					Mounting	Finish	Options
Pole Height	Pole Bottom	Pole Top	Wall Thickness				
<input type="checkbox"/> RTS 20 - 11	20'	6.00"	3.20"	11	<b>Tenon Mount</b>  <input type="checkbox"/> 2 <sup>7</sup> / <sub>8</sub> " X 3" Tenon <b>PT27</b> (Standard)  <input type="checkbox"/> 2 <sup>3</sup> / <sub>8</sub> " X 3" Tenon <b>PT23</b>  <input type="checkbox"/> 2 <sup>7</sup> / <sub>8</sub> " X 6" Tenon <b>PT276</b>  <input type="checkbox"/> Other Tenon Mt _____  <b>Drill Mount</b>  <input type="checkbox"/> 1-90 .....  <input type="checkbox"/> 2-180 .....  <input type="checkbox"/> 2-90 .....  <input type="checkbox"/> 3-90 .....  <input type="checkbox"/> 4-90 .....  <input type="checkbox"/> 3-120 .....  3-120 requires PT27 and T3120 Adapter  2-90, 3-90, 4-90 requires PT27 and T490 Adapter  When Drilling Pattern from other manufacturer is required, add "DP" to drill specifications (Example: 2-180DP) <b>Drilling template must be provided.</b>	<b>Standard Smooth Finish</b>  <input type="checkbox"/> Black <b>RAL-9005-S</b>  <input type="checkbox"/> White <b>RAL-9003-S</b>  <input type="checkbox"/> Grey <b>RAL-7004-S</b>  <input type="checkbox"/> Dark Bronze <b>RAL-8019-S</b>  <input type="checkbox"/> Green <b>RAL-6005-S</b>  <b>Premium Finishes</b>  <input type="checkbox"/> Rust  <input type="checkbox"/> Patina Copper <b>PC</b>  <input type="checkbox"/> Custom Specify RAL# _____  <input type="checkbox"/> Galvanized <b>GLV</b>  For Textured Finish replace suffix "S" with suffix "T" Example: RAL-9005-T  See USALTG.COM for additional colors	<input type="checkbox"/> Vibration Dampener 2nd Mode Field Install <b>VBDS-M2</b>  <b>Receptacle</b>  <input type="checkbox"/> G.F.I. Receptacle w/ Cover <b>GFI</b>  <input type="checkbox"/> G.F.I. Receptacle w/ In-Use Cover <b>GFI-U</b> [Specify GFI location: Height and Direction] See Location Diagram below  <input type="checkbox"/> 3 Way Adapter <b>T3120</b>  <input type="checkbox"/> 4 Way Adapter <b>T490</b>  <b>Coupling</b>  <input type="checkbox"/> 1/2" Coupling <b>CPLN12</b> <input type="checkbox"/> 3/4" Coupling <b>CPLN34</b>  <input type="checkbox"/> 1 1/4" Coupling <b>CPLN114</b> <input type="checkbox"/> 1 1/2" Coupling <b>CPLN112</b>  <input type="checkbox"/> 2" Coupling <b>CPLN2</b> [Specify Coupling location: Height and Direction] See Location Diagram below  <b>Nipple</b>  <input type="checkbox"/> 1/2" Nipple <b>NPLE12</b> <input type="checkbox"/> 3/4" Nipple <b>NPLE34</b>  <input type="checkbox"/> 1 1/4" Nipple <b>NPLE114</b> <input type="checkbox"/> 1 1/2" Nipple <b>NPLE112</b>  <input type="checkbox"/> 2" Nipple <b>NPLE2</b> [Specify Coupling location: Height and Direction] See Location Diagram below  <b>Location Diagram</b> Please use this diagram to indicate placement location    Refer to the Accessories Section for other options
<input type="checkbox"/> RTS 25 - 11	25'	7.00"	3.50"	11			
<input type="checkbox"/> RTS 30 - 11	30'	8.00"	3.80"	11			
<input type="checkbox"/> RTS 35 - 11	35'	8.50"	3.60"	11			
<input type="checkbox"/> RTS 40 - 11	40'	9.00"	3.40"	11			
<input type="checkbox"/> RTS 40 - 7	40'	9.00"	3.40"	7			

Other heights available  
Please consult factory

## OPTIONS



**GFI**  
Duplex GFI  
w/ Cover



**GFI-U**  
Duplex GFI  
w/ In-Use Cover



**T3120**  
3 Way Adapter



**T490**  
4 Way Adapter



**FRBC**  
Flat Round Base Cover



**RBC**  
Round Base Cover

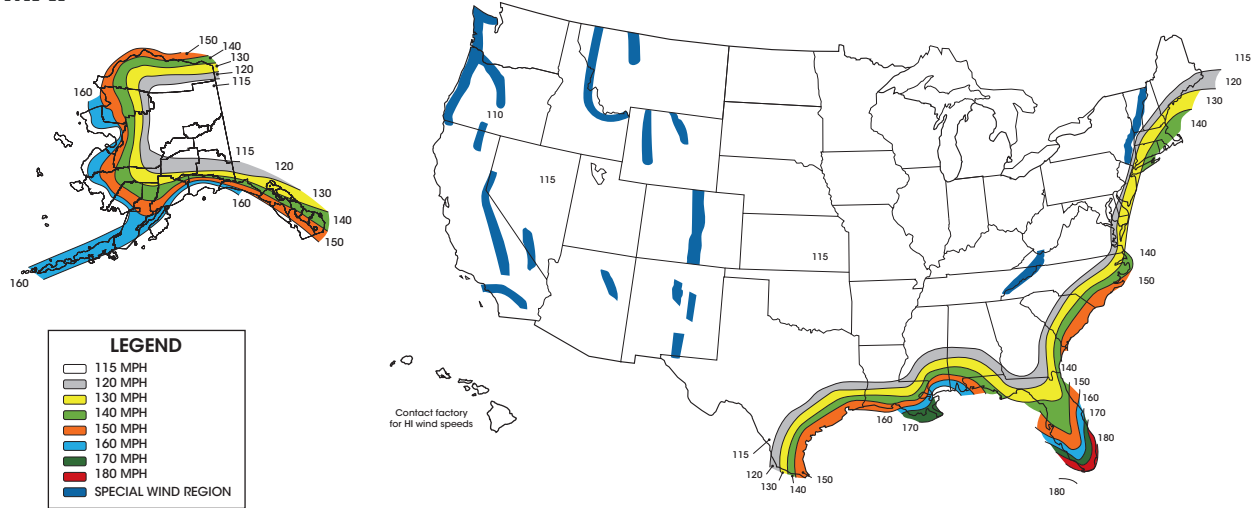


**CPLN**  
1/2", 3/4", 1 1/4", 1 1/2",  
or 2" Coupling



**NPLE**  
1/2", 3/4", 1 1/4", 1 1/2",  
or 2" Nipple

## WIND MAP



## EPA INFORMATION (ft<sup>2</sup>) (per AASHTO LRFDLTS-1 revised 2022)

Cat. No.	Weight Capacity Maximum (Lbs.)	100 MPH	110 MPH	115 MPH	120 MPH	130 MPH	140 MPH	150 MPH	160 MPH	170 MPH	180 MPH
RTS 20-11	300 - 231*	15.0	15.0	15.0	15.0	14.2	12.2	10.2	8.9	7.2	6.6
RTS 25-11	300 - 168*	15.0	15.0	15.0	13.1	11.2	9.1	7.3	6.2	5.5	4.8
RTS 30-11	300 - 178.5*	15.0	15.0	15.0	13.9	11.3	9.0	7.7	6.7	5.9	5.1
RTS 35-11	300 - 60*	13.0	9.3	7.8	6.5	5.0	3.4	2.2	1.4	0.9	0.5
RTS 40-11	300 - 60*	13.4	9.5	8.0	6.9	5.1	3.5	2.3	1.5	1.0	0.7
RTS 40-7	300 - 60*	14.0	11.7	8.4	7.0	5.6	4.7	3.3	2.8	2.3	1.4

## EPA INFORMATION (ft<sup>2</sup>) (per 2020 FL Building Code)

Cat. No.	Weight Capacity Maximum (Lbs.)	120 MPH	130 MPH	140 MPH	150 MPH	160 MPH	170 MPH	180 MPH
RTS 20-11	300 - 217*	13.7	13.4	11.4	9.4	8.5	6.7	6.2
RTS 25-11	300 - 154*	12.4	10.1	8.2	6.7	5.7	5.0	4.4
RTS 30-11	300 - 164.5*	12.9	10.6	8.1	7.3	6.1	5.5	4.7
RTS 35-11	213.5 - 60*	6.1	4.8	3.1	2.1	1.3	0.9	0.5
RTS 40-11	220.5 - 60*	6.3	4.8	3.2	2.1	1.4	0.9	0.7
RTS 40-7	227.5 - 60*	6.5	5.3	4.5	3.1	2.6	2.1	1.3

\* Please use the following to obtain the proper weight capacity: The maximum fixture weight equals 60 lbs. or the product of 35 lbs. x the EPA value, whichever is greater, not to exceed 300 lbs. Example, EPA = 2.2 , weight = 35 lbs. x 2.2 EPA = 77 lbs.

### Notes

- Specifier is responsible for correct pole selection. For proper pole choice, the specifier must consider the total EPA of fixtures, banners, arms, and any other accessories attached to pole assembly.
- U.S. Architectural discourages the attachment of unauthorized accessories; any such attachments will void the manufacturer's warranty.
- ALL EPAs are calculated for ground installations. For installations on bridges, buildings or other structures, the specifier must contact the factory or consult with a structural Engineer
- Unpredictable aerodynamic forces such as wind-induced vibrations are not included in wind velocity ratings or EPA ratings.
- Wind gust factors are considered in developing all EPA chart data.

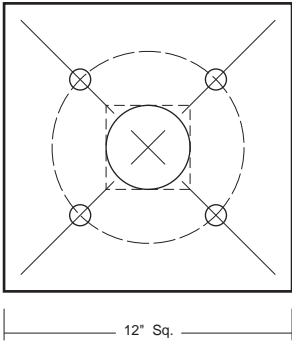
### To mitigate 2nd Mode (Aeolian) Vibration please read the following Recommendations:

- We do not recommend the installation of poles without a fixture; such installation have been known to fail due to high pole vibrations. Replace with note 1 above
- Pole installations with a combined (fixtures, banners, flags, etc.) of less than 0.75 ft<sup>2</sup> EPA and 25 feet or taller will be provided with a vibration dampener.

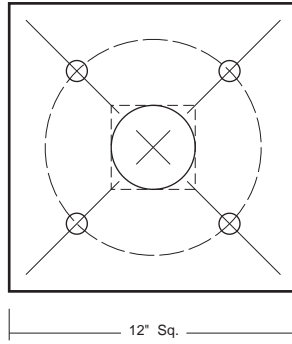
**ANCHOR BOLT TEMPLATES**

For printable versions of Templates: click on the Template's name, otherwise go to <https://usaltg.com/downloads/templates.html>.

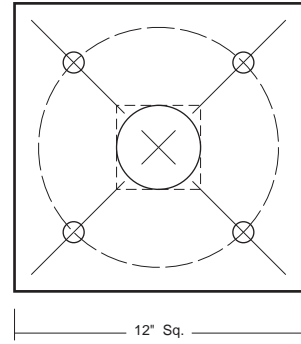
**US8**  
8" Bolt Circle



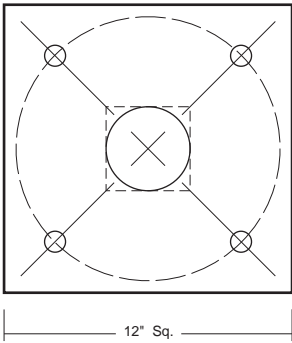
**US9**  
9" Bolt Circle



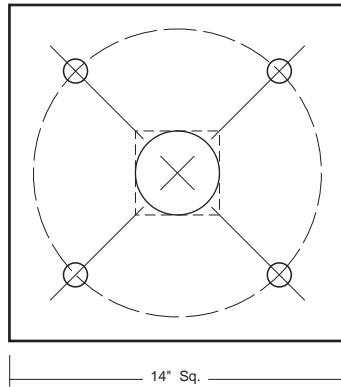
**US10**  
10" Bolt Circle



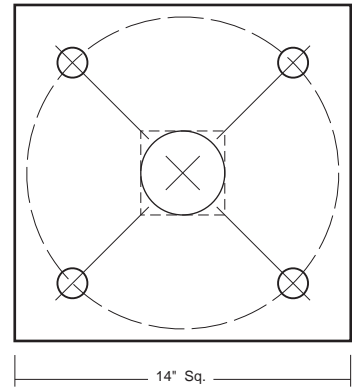
**US11**  
11" Bolt Circle



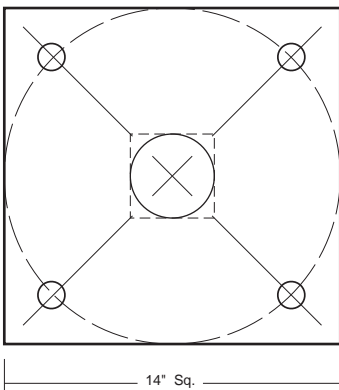
**US12**  
12" Bolt Circle



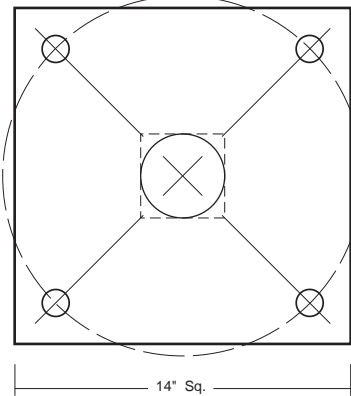
**US13**  
13" Bolt Circle



**US14**  
14" Bolt Circle



**US15**  
15" Bolt Circle



**US16**  
16" Bolt Circle

