

AREA & ROADWAY LIGHTING

RAZAR SERIES - LED

LOW PROFILE AREA LUMINAIRE

Optical Housing

Heavy cast aluminum assembly minimum wall thickness .188". LED Module mounting area is machined to within a 0.002" surface flatness variance for maximum surface contact and thermal conductivity from the LED modules to the radiating fins. Passive radiating fins above the LED Optics provide superior thermal management and long LED life. The optical and electrical compartments are integrated with the support arm to create one assembly. Cast and hinged driver compartment cover allows access to the drivers and wiring.

Electrical Housing w/ Integrated Arm

Heavy cast aluminum assembly with integral cooling ribs surrounding the electrical compartment and a flat surface on the top of the arm to accommodate a photocell receptacle. Solid barrier wall separates optical and electrical compartments. The optical compartment and electrical compartment with the integrated support arm combine to create one assembly. Minimum wall thickness is .188". Cast and hinged driver assembly cover is integrated with wiring compartment cover.

Mast Arm Fitter/Electrical Housing

Replaces standard Electrical Housing. Fits standard 2 3/8" O.D. horizontal tenon. Two (2) straps with two (2) bolts each encircle the lower half of the tenon. Upper half of the tenon rests on self-centering steps that position the angle of the luminaire at 0°, +1.5°, +1.5° or +3° up from the horizontal. All hardware is stainless steel.

PLED™ Optics

Emitters (LED's) are arrayed on a metal core PCB panel with each emitter located on a copper thermal transfer pad and enclosed by an LED refractor. LED optics completely seal each individual emitter to meet an IP66 rating. In asymmetric distributions, a micro-reflector inside the refractor re-directs the house side emitter output towards the street side, maximizing usable light. Optional house side shields are available that cover each individual optic. Refractors are injection molded H12 acrylic. Each LED refractor is sealed to the PCB over an emitter and all refractors are retained by an aluminum frame. Any one Panel, or group of Panels in a luminaire, have the same optical pattern. LED refractors produce standard site/area distributions. Panels are field replaceable and field rotatable in 90° increments. Quick-disconnects are provided above each panel for fast field replacement. All fixture optical options will provide a "U0" no uplight optical package and is are dark sky friendly.

LED Emitters

LED thermal management is designed to maintain LED operating temperature below 90 °C, well below the manufacturers thermal max of 150 °C for long life, high lumen maintenance and color stability. High Power White LED's are driven between 350mA and 875mA for a maximum output of 2.5 Watts nominal. LED's are available in standard Warm White (2700K & 3000K), Neutral White (4000K), or Cool White (5000K). All Standard LED's have a minimum of 70 CRI. Consult Factory for other LED options. Lumen Maintenance of L94 at 60,000 hours (TM-21 calculated at 6x Test Time).

True Amber LED's TRA-True Amber LED's emit light in the amber spectral bandwidth centered on 585-590nm. True Amber has negligible blue light and is suitable for wildlife.

LED Driver

Constant current electronic with a power factor of >.90 and a minimum operating temperature of -40°F/-40°C. Driver(s) is/are UL and cUL recognized. In-line terminal blocks facilitate wiring between the driver and optical arrays. Drivers accept an input of 120-277V, 50/60Hz or 347V-480V, 50/60Hz. 0 - 10V dimmable driver is standard. Driver has a minimum of 3KV internal surge protection. Luminaire supplied with a separate 20KV surge protector for field installation.

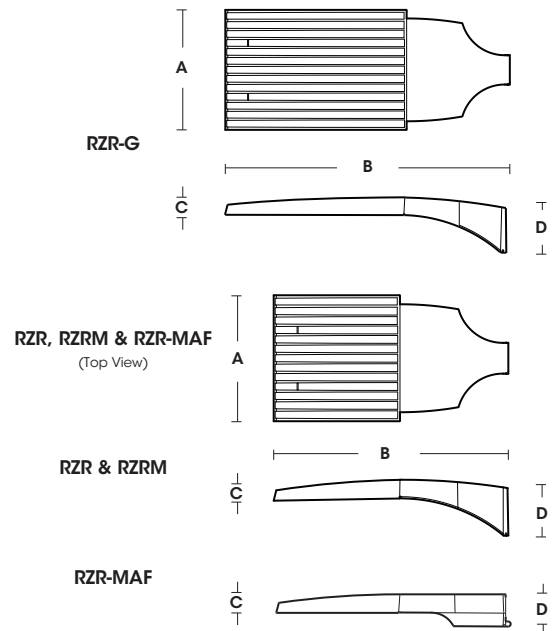
Finish

Super TGIC polyester powder coating is applied onto a metal substrate this has been pretreated with a four-stage process for maximum adhesion and color retention. The top coat is baked at 400° F for maximum hardness and exterior durability.



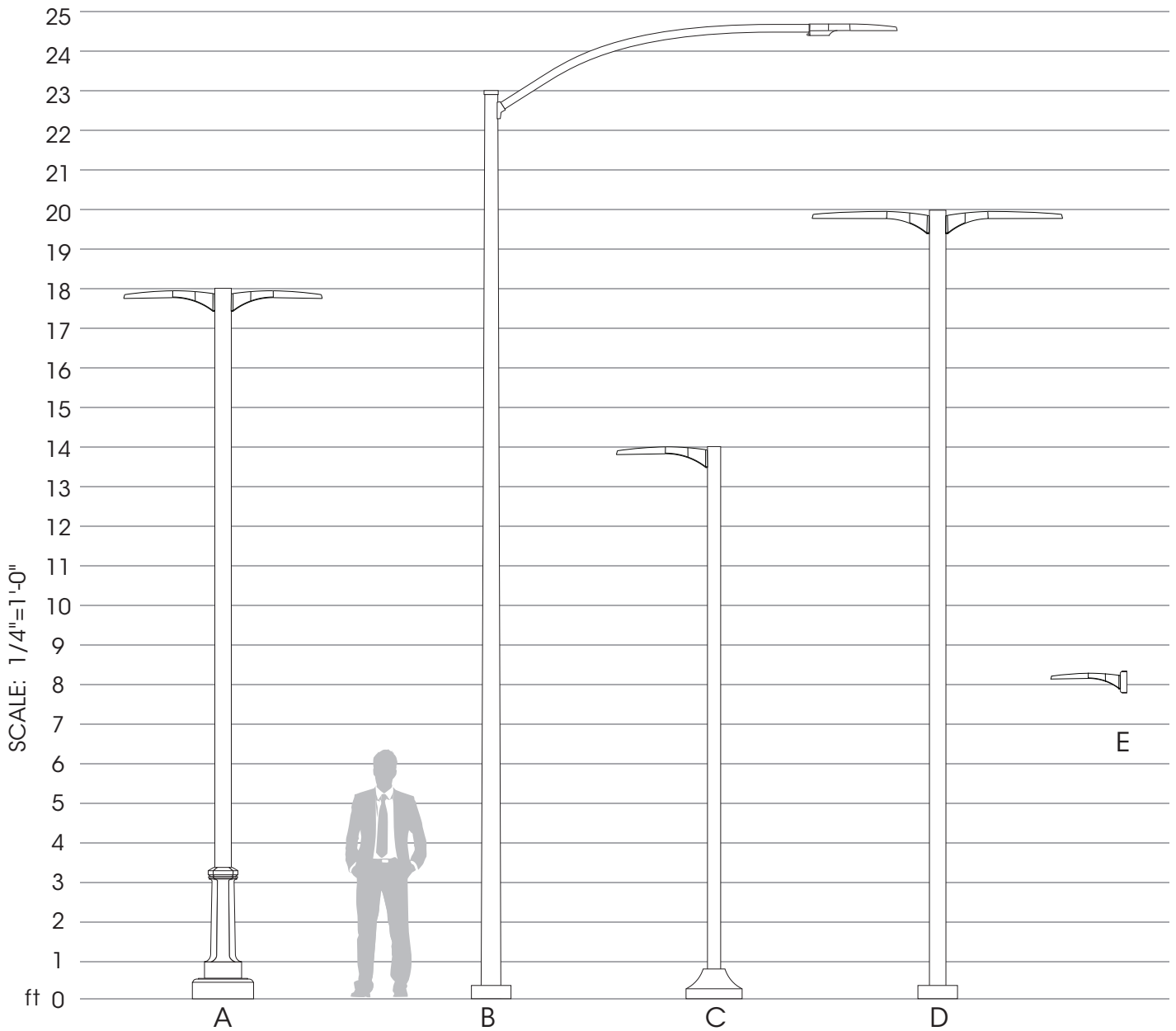
RZR

(Models: RZRM, RZR, RZR-G & RZR-MAF)



Fixture	A	B	C	D
RZR-G	15" 381mm	36.5" 927mm	3" 76mm	7" 187mm
RZR	14.75" 375mm	28.25" 718mm	2.75" 70mm	6.5" 165mm
RZRM	11.5" 292mm	22" 559mm	2.5" 64mm	5.25" 133mm
RZR-MAF	15" 381mm	28.25" 724mm	2.5" 64mm	4" 102mm

SAMPLE ASSEMBLIES

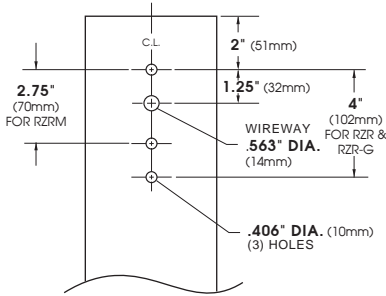


- A. 11-1050-18'-0" / 2-180/RZR/LED/ACCESSORIES/FINISH
- B. 1046T-23'-0" / ASL-8' / RZR-MAF/LED/ACCESSORIES/FINISH
- C. RNTA-144-125-RBC/1 / RZR/LED/ACCESSORIES/FINISH
- D. RNTS205-7/2-180/RZR-G/LED/ACCESSORIES/FINISH
- E. WM/RZRM/LED/ACCESSORIES/FINISH

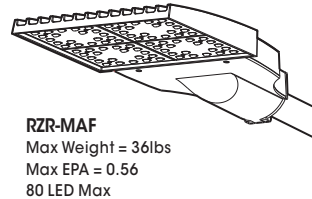
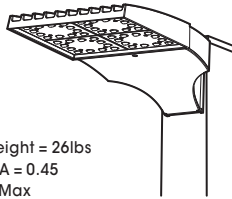
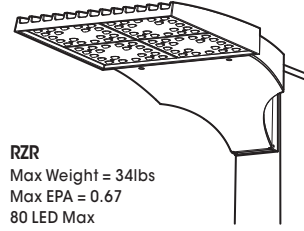
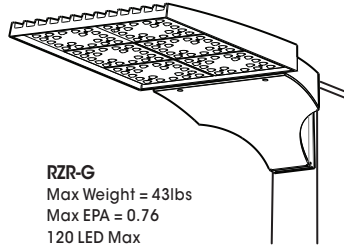
Sample Assemblies show a small offering of the Sun Valley Line of Poles, Bases, Shafts, Arms, & Luminaires. Please visit usaltg.com for the full product offering.

SPECIFICATIONS

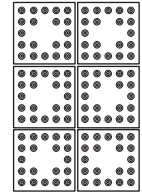
POLE DRILLING TEMPLATE



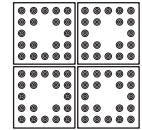
EPA & WEIGHT



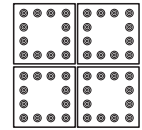
PLED™ MODULES



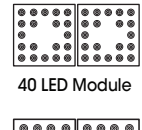
120 LED Module



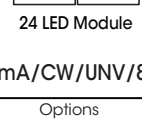
80 LED Module



48 LED Module



40 LED Module



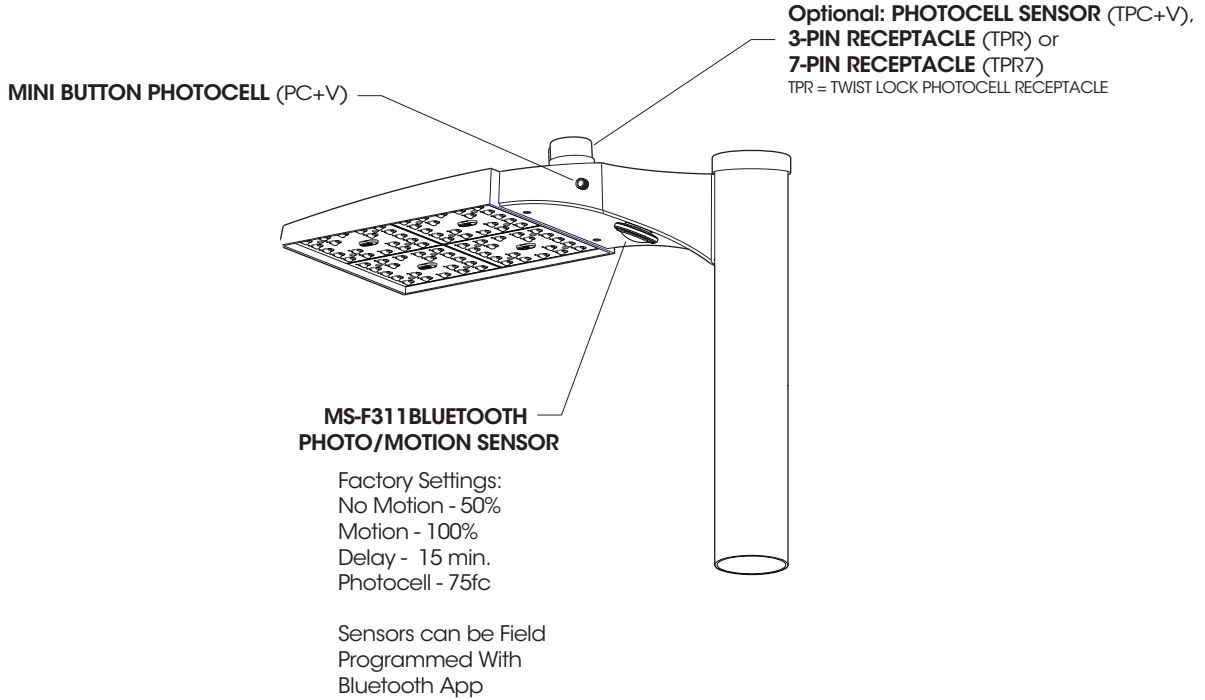
24 LED Module

ORDERING INFORMATION

Spec/Order Example: RZR/PLED-IV/80LED-700mA/CW/UNV/8019-S

Luminaire	Optics	LED Mode			Voltage	Mounting	Finish	Options
Luminaire	Optics	LED			Voltage	Mounting	Finish	Options
	PLED™ Distribution Type	# of LEDs	Drive Current	Color Temp - CCT		Arm Mount	Standard Textured Finish	
<input type="checkbox"/> RZR-G	<input type="checkbox"/> PLED-II <input type="checkbox"/> PLED-II-FR <input type="checkbox"/> PLED-II-MIL	RZR-G <input type="checkbox"/> 120LED <input type="checkbox"/> 80LED	<input type="checkbox"/> 1400mA ¹ <input type="checkbox"/> 1225mA ¹ <input type="checkbox"/> 1050mA <input type="checkbox"/> 875mA <input type="checkbox"/> 700mA	<input type="checkbox"/> 27K (2700K) <input type="checkbox"/> 30K (3000K) <input type="checkbox"/> 40K (4000K) <input type="checkbox"/> 50K (5000K)	<input type="checkbox"/> UNV (120-277) <input type="checkbox"/> 347 <input type="checkbox"/> 480	<input type="checkbox"/> 1 <input type="checkbox"/> 2-180 <input type="checkbox"/> 2-90 <input type="checkbox"/> 3-90 <input type="checkbox"/> 3-120 <input type="checkbox"/> 4-90	<input type="checkbox"/> Black 9005-T <input type="checkbox"/> White 9003-T <input type="checkbox"/> Grey 7004-T <input type="checkbox"/> Dark Bronze 8019-T <input type="checkbox"/> Green 6005-T	<input type="checkbox"/> Internal House Side Shield inc. LED Count (Example: HS-PLED/48) HS-PLED <input type="checkbox"/> External Glare Shield 4 Sided EGS4 <input type="checkbox"/> External Glare Shield 3 Sided Rear Wedge EGS3W <input type="checkbox"/> Round Pole Adapter RPA <input type="checkbox"/> Twist Lock Receptable Only TPR <input type="checkbox"/> 7-Pin Twist Lock Receptable Only TPR7 <input type="checkbox"/> High-Low Dimming for Switch by Others/Select Levels 50/100 or 25/100 (Example: HLSW/25) HLSW <input type="checkbox"/> Twist Lock Photocell + Voltage (Example: TPC347V) TPC+V <input type="checkbox"/> Photo Cell + Voltage (Example: PC120V) PC+V <input type="checkbox"/> Single Fuse (120V, 277V) SF <input type="checkbox"/> Double Fuse (208V, 240V) DF <input type="checkbox"/> Blue-Tooth Programmable Photo/Motion Sensor (Factory - Motion 50/100; Photo 75fc) MS-F311
<input type="checkbox"/> RZR <input type="checkbox"/> RZR-MAF	<input type="checkbox"/> PLED-III <input type="checkbox"/> PLED-III-W <input type="checkbox"/> PLED-IV <input type="checkbox"/> PLED-IV-FT	RZR / RZR-MAF <input type="checkbox"/> 80LED <input type="checkbox"/> 40LED	<input type="checkbox"/> 525mA <input type="checkbox"/> 350mA	<input type="checkbox"/> TRA True Amber Consult Factory for Other LED Color, CCT, & CRI Options		<input type="checkbox"/> 3-120 <input type="checkbox"/> 4-90	<input type="checkbox"/> Premium Finishes <input type="checkbox"/> Rust <input type="checkbox"/> Patina Copper PC	
<input type="checkbox"/> RZRM	<input type="checkbox"/> PLED-VSQ-N <input type="checkbox"/> PLED-V-SQ-M <input type="checkbox"/> PLED-V-SQ-W	RZRM <input type="checkbox"/> 48LED <input type="checkbox"/> 24LED		Consult Factory for Other Drive Currents		<input type="checkbox"/> WM WM - Wall Mount provided with mounting bracket and cover.	For smooth finish replace suffix "T" with suffix "S" (Example: 9500-S) Consult factor for custom colors	

OPTIONS



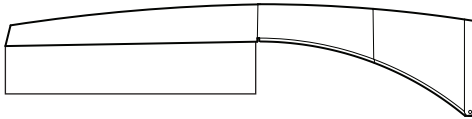
High Low Dimming For Switches (HLSW)

The HLSW is a Small Electronic Switch which Provides High Low Dimming Control Through the LED Driver's 0-10V Control. Switching is Done by Adding a Secondary AC Switched Hot Trigger Line to the HLSW in Addition to the Normal AC Power Line. When the Secondary Trigger Line is Powered, the Fixture will go to 100% Dimming. With no Power to the Trigger, the Fixture will operate at 50% or 25% Dimming. Switches for the Trigger Line can be a Normal AC Switch/Breaker or Timed Switch/Breaker.

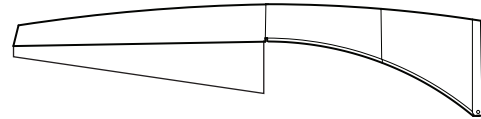
Wireless and Other Fixture Controls

Contact Factory for Wireless and Other Fixture Controls and Recommendations. Most Controls Can be Integrated and Factory Installed.

EXTERNAL GLARE SHIELDS



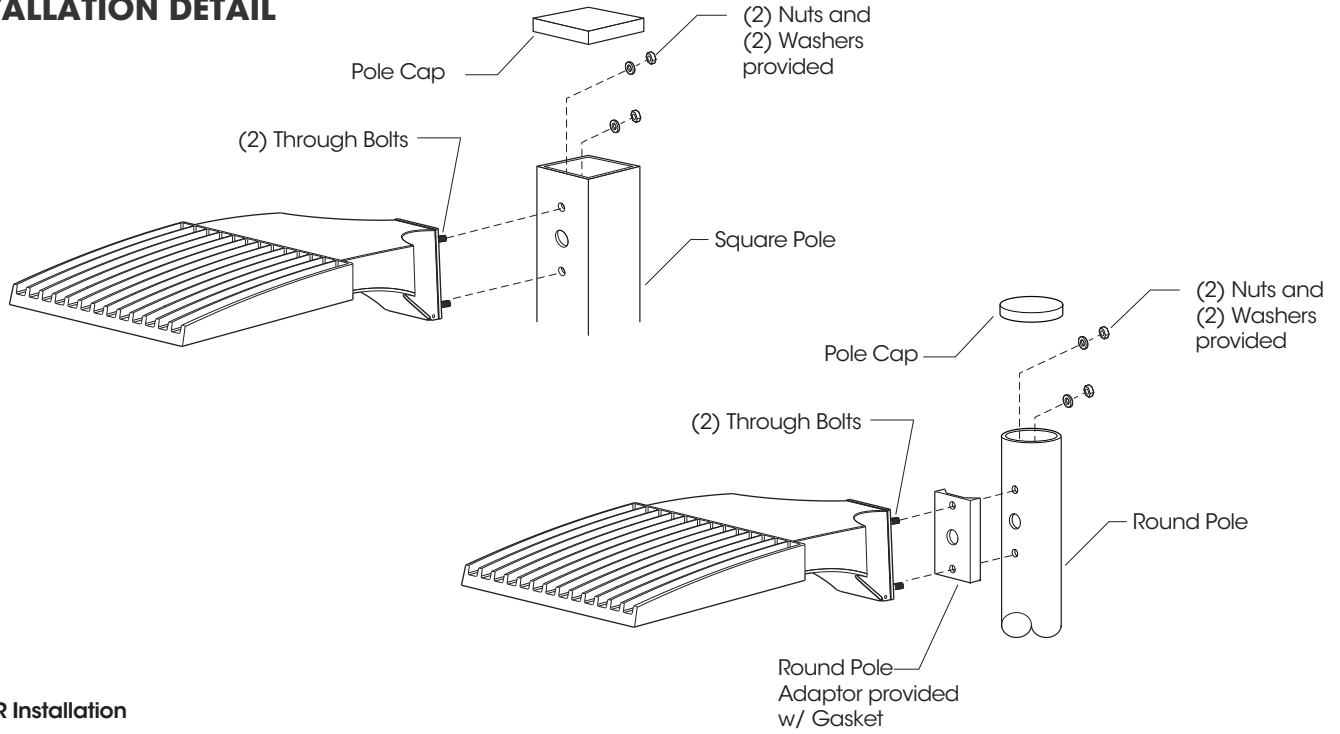
EGS4 - 4 Sided Shield
Minimum Cutoff = 12°
Average Cutoff = 23°



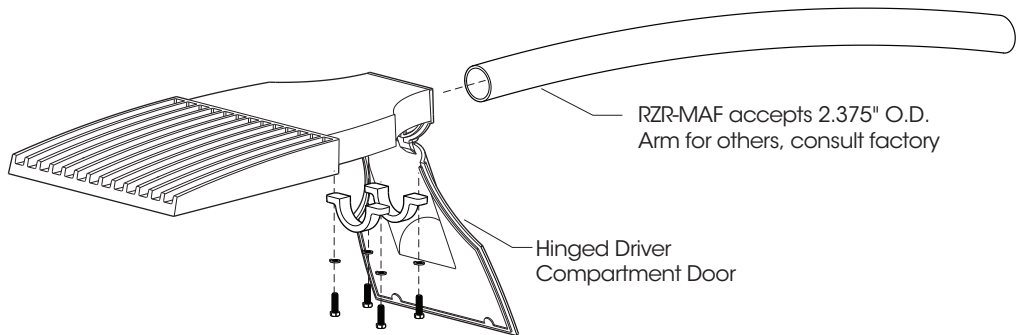
EGS3W - 3 Sided Shield
Minimum Rear Cutoff = 12°
Average Rear Cutoff = 23°
Minimum Side Cutoff = 4°
Average Side Cutoff = 16°

Glare Shields are rotatable on RZR and RZRM. Consult factory for custom applications.

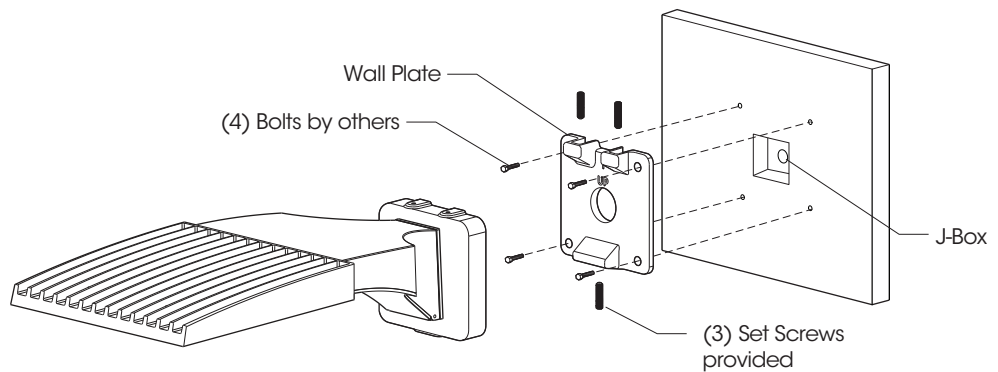
INSTALLATION DETAIL



RZR Installation



RZR-MAF Installation



RZR-WM Installation

ELECTRICAL DATA GUIDE - AMPERAGE CHART

ELECTRICAL LOAD			CURRENT (Amps)				
# of LEDs	mA	System Watts	120V	208V	277V	347V	480V
24	350	26	0.21	0.12	0.09	0.07	0.05
24	525	39	0.32	0.19	0.14	0.11	0.08
24	700	52	0.43	0.25	0.19	0.15	0.11
24	875	67	0.55	0.32	0.24	0.19	0.14
24	1050	81	0.67	0.39	0.29	0.23	0.17
48	350	52	0.43	0.25	0.19	0.15	0.11
48	525	78	0.65	0.37	0.28	0.22	0.16
48	700	104	0.87	0.50	0.38	0.30	0.22
48	875	133	1.11	0.64	0.48	0.38	0.28
48	1050	162	1.35	0.78	0.58	0.47	0.34
40	350	43	0.36	0.21	0.15	0.12	0.09
40	525	65	0.54	0.31	0.23	0.19	0.14
40	700	87	0.72	0.42	0.31	0.25	0.18
40	875	111	0.92	0.53	0.40	0.32	0.23
40	1050	135	1.12	0.65	0.49	0.39	0.28
40	1225	159	1.32	0.76	0.57	0.46	0.33
40	1400	183	1.53	0.88	0.66	0.53	0.38
80	350	86	0.72	0.41	0.31	0.25	0.18
80	525	130	1.08	0.62	0.47	0.37	0.27
80	700	174	1.45	0.83	0.63	0.50	0.36
80	875	222	1.85	1.06	0.80	0.64	0.46
80	1050	270	2.25	1.30	0.97	0.78	0.56
80	1225	318	2.65	1.53	1.15	0.92	0.66
80	1400	366	3.05	1.76	1.32	1.06	0.76
120	350	129	1.07	0.62	0.46	0.37	0.27
120	525	195	1.62	0.94	0.70	0.56	0.41
120	700	260	2.17	1.25	0.94	0.75	0.54
120	875	332	2.77	1.60	1.20	0.96	0.69
120	1050	404	3.37	1.94	1.46	1.17	0.84
120	1225	477	3.97	2.29	1.72	1.37	0.99
120	1400	549	4.58	2.64	1.98	1.58	1.14

PHOTOMETRIC DATA GUIDE - LM-80 LUMEN MAINTENANCE

LED LUMEN MAINTENANCE (350mA to 1050mA)		
LED Life / Operating Hours	Lumen Depreciation	Lumen Depreciation Scale Factor
60,000	L96	0.96x
100,000 (6X LED Test Hrs)	L93	0.93x
150,000 (Theoretical)	L89	0.90x
200,000 (Theoretical)	L86	0.87x

TM-21 6x Test Time Dictates that L93 > 100,000 Hours.

LED LUMEN MAINTENANCE (1225mA & 1400mA)		
LED Life / Operating Hours	Lumen Depreciation	Lumen Depreciation Scale Factor
60,000	L93	0.93x
100,000 (6X LED Test Hrs)	L89	0.89x
150,000 (Theoretical)	L84	0.84x
200,000 (Theoretical)	L80	0.80x

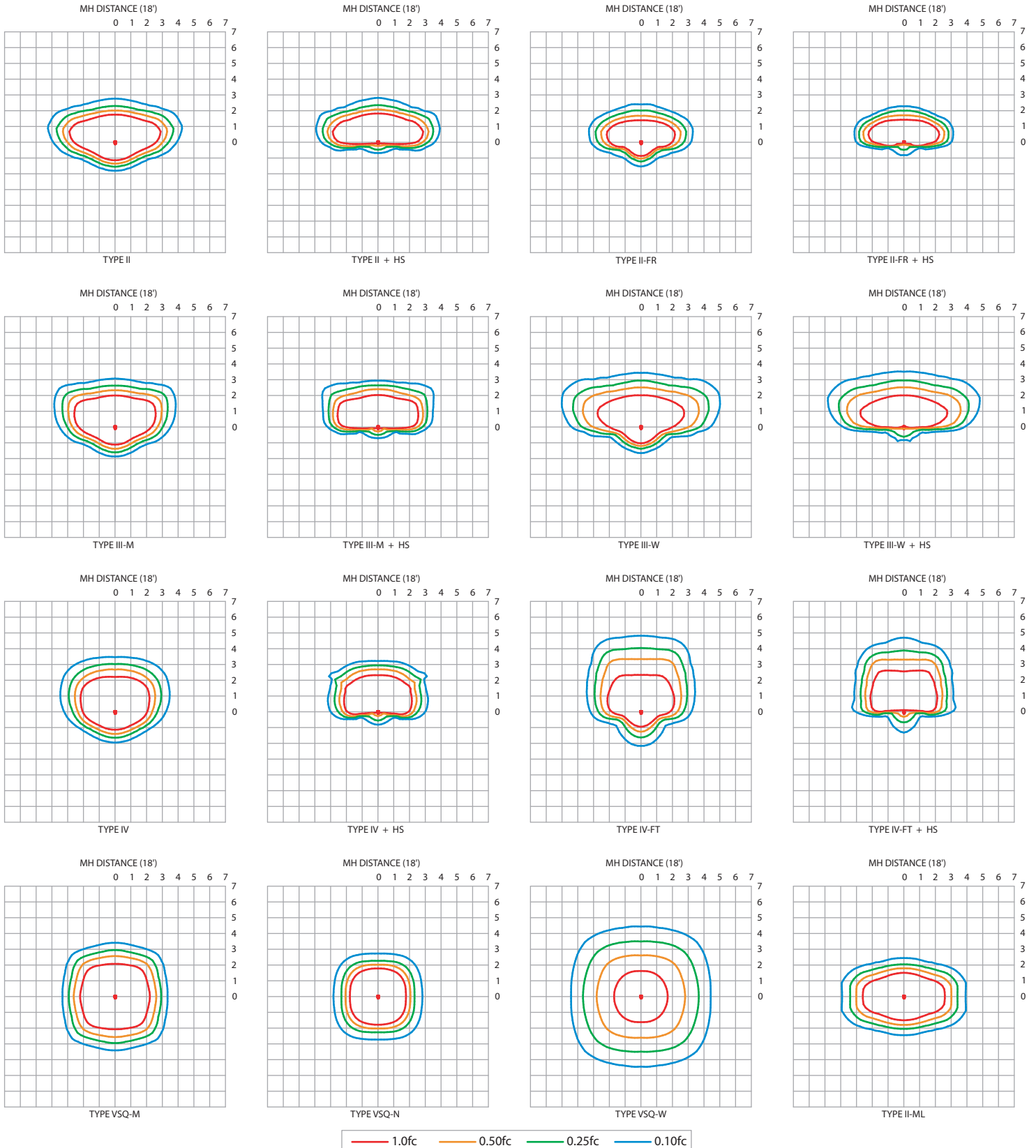
TM-21 6x Test Time Dictates that L93 > 100,000 Hours.

Lumen Depreciation Calculations Done in Accordance With IESNA TM-21 & LM-80 (25°C Ambient)

IES File downloads for this product can be found at www.usaltg.com/downloads/asr.html

ELECTRICAL DATA GUIDE - ISOFOOTCANDLE PLOTS

RZR-M-PLD-48LED-700mA-40K - 18' Pole Height



IES File downloads for this product can be found at www.usaltg.com/downloads/asr.html

PHOTOMETRIC DATA GUIDE - LUMEN TABLES

RZR-M-PLD																				
LED Count	Drive Current (mA)	System Watts	Dist'n Type	27K (2700K - 70CRI)			30K (3000K - 70CRI)			40K (4000K - 70CRI)			50K (5000K - 70CRI)			System Watts	TRA (590nm)			
				LUMENS	LPW	BUG RATING	LUMENS	LPW	BUG RATING	LUMENS	LPW	BUG RATING	LUMENS	LPW	BUG RATING		LUMENS	LPW	BUG RATING	
24	350	25.7	II	3705	144	B1-U0-G1	3866	150	B1-U0-G1	4027	157	B1-U0-G1	4188	163	B1-U0-G1	20.0	1363	68	B1-U0-G1	
			II-FR	3729	145	B1-U0-G1	3892	151	B1-U0-G1	4054	158	B1-U0-G1	4216	164	B1-U0-G1		1372	69	B1-U0-G0	
			II-ML	3705	144	B2-U0-G2	3866	150	B2-U0-G2	4027	157	B2-U0-G2	4188	163	B2-U0-G2		1363	68	B1-U0-G1	
			III-M	3770	147	B1-U0-G1	3933	153	B1-U0-G1	4097	159	B1-U0-G1	4261	166	B1-U0-G1		1387	69	B1-U0-G0	
			III-W	3500	136	B1-U0-G1	3652	142	B1-U0-G1	3804	148	B1-U0-G1	3956	154	B1-U0-G2		1289	64	B0-U0-G1	
			IV	3741	146	B1-U0-G1	3903	152	B1-U0-G1	4066	158	B1-U0-G1	4229	165	B1-U0-G1		1377	69	B1-U0-G1	
			IV-FT	3408	133	B1-U0-G1	3556	138	B1-U0-G1	3704	144	B1-U0-G1	3853	150	B1-U0-G1		1254	63	B0-U0-G1	
			VSQ-N	3911	152	B2-U0-G0	4080	159	B2-U0-G0	4250	165	B2-U0-G0	4420	172	B2-U0-G1		1439	72	B1-U0-G0	
			VSQ-M	3834	149	B2-U0-G1	4000	156	B2-U0-G1	4167	162	B2-U0-G1	4334	169	B3-U0-G1		1410	71	B1-U0-G0	
			VSQ-W	3743	146	B3-U0-G1	3905	152	B3-U0-G1	4068	158	B3-U0-G1	4231	165	B3-U0-G2		1377	69	B1-U0-G1	
			II-HS	2710	105	B0-U0-G1	2827	110	B0-U0-G1	2945	115	B0-U0-G1	3063	119	B0-U0-G1		997	50	B0-U0-G0	
			II-FR-HS	2756	107	B0-U0-G0	2876	112	B0-U0-G0	2995	117	B0-U0-G0	3115	121	B0-U0-G0		1014	51	B0-U0-G0	
			III-M-HS	2741	107	B0-U0-G1	2861	111	B0-U0-G1	2980	116	B0-U0-G1	3099	121	B0-U0-G1		1008	50	B0-U0-G0	
			III-W-HS	2682	104	B0-U0-G1	2799	109	B0-U0-G1	2916	113	B0-U0-G1	3032	118	B0-U0-G1		987	49	B0-U0-G1	
			IV-HS	2831	110	B0-U0-G1	2954	115	B0-U0-G1	3078	120	B0-U0-G1	3201	125	B0-U0-G1		1042	52	B0-U0-G0	
			IV-FT-HS	2675	104	B0-U0-G1	2792	109	B0-U0-G1	2908	113	B0-U0-G1	3024	118	B0-U0-G1		985	49	B0-U0-G1	
24	525	38.9	II	5352	138	B1-U0-G1	5584	144	B1-U0-G1	5817	150	B2-U0-G1	6050	156	B2-U0-G1	31.0	1586	51	B1-U0-G1	
			II-FR	5387	138	B1-U0-G1	5621	145	B2-U0-G1	5856	151	B2-U0-G1	6090	157	B2-U0-G1		1598	52	B1-U0-G1	
			II-ML	5352	138	B2-U0-G2	5585	144	B2-U0-G2	5817	150	B3-U0-G3	6050	156	B3-U0-G3		1587	51	B1-U0-G1	
			III-M	5446	140	B1-U0-G1	5683	146	B1-U0-G2	5919	152	B1-U0-G2	6156	158	B1-U0-G2		1615	52	B1-U0-G0	
			III-W	5056	130	B1-U0-G2	5276	136	B1-U0-G2	5496	141	B1-U0-G2	5716	147	B1-U0-G2		1500	48	B0-U0-G1	
			IV	5404	139	B1-U0-G1	5639	145	B1-U0-G1	5874	151	B1-U0-G2	6109	157	B2-U0-G2		1602	52	B1-U0-G1	
			IV-FT	4924	127	B1-U0-G2	5138	132	B1-U0-G2	5352	138	B1-U0-G2	5566	143	B1-U0-G2		1460	47	B0-U0-G1	
			VSQ-N	5648	145	B2-U0-G1	5894	152	B2-U0-G1	6139	158	B2-U0-G1	6385	164	B2-U0-G1		1676	54	B1-U0-G0	
			VSQ-M	5539	142	B3-U0-G1	5780	149	B3-U0-G1	6021	155	B3-U0-G1	6262	161	B3-U0-G1		1643	53	B1-U0-G0	
			VSQ-W	5407	139	B3-U0-G2	5642	145	B3-U0-G2	5877	151	B2-U0-G2	6112	157	B3-U0-G2		1603	52	B1-U0-G1	
			II-HS	3914	101	B0-U0-G1	4084	105	B0-U0-G1	4254	109	B0-U0-G1	4424	114	B0-U0-G1		1161	37	B0-U0-G0	
			II-FR-HS	3982	102	B0-U0-G1	4155	107	B0-U0-G1	4328	111	B0-U0-G1	4501	116	B0-U0-G1		1181	38	B0-U0-G0	
			III-M-HS	3960	102	B0-U0-G1	4132	106	B0-U0-G1	4304	111	B0-U0-G2	4476	115	B0-U0-G2		1174	38	B0-U0-G0	
			III-W-HS	3876	100	B0-U0-G2	4045	104	B0-U0-G2	4213	108	B0-U0-G2	4382	113	B0-U0-G2		1150	37	B0-U0-G1	
			IV-HS	4090	105	B0-U0-G1	4268	110	B0-U0-G1	4446	114	B0-U0-G1	4624	119	B0-U0-G1		1213	39	B0-U0-G0	
			IV-FT-HS	3866	99	B0-U0-G2	4034	104	B0-U0-G2	4202	108	B0-U0-G2	4370	112	B0-U0-G2		1146	37	B0-U0-G1	
24	700	52.1	II	6733	129	B2-U0-G2	7025	135	B2-U0-G2	7318	140	B2-U0-G2	7611	146	B2-U0-G2	N/A	N/A			
			II-FR	6778	130	B2-U0-G1	7073	136	B2-U0-G1	7367	141	B2-U0-G1	7662	147	B2-U0-G1					
			II-ML	6732	129	B3-U0-G3	7025	135	B3-U0-G3	7318	140	B3-U0-G3	7611	146	B3-U0-G3					
			III-M	6851	131	B2-U0-G2	7148	137	B2-U0-G2	7446	143	B2-U0-G2	7744	149	B2-U0-G2					
			III-W	6360	122	B1-U0-G2	6637	127	B1-U0-G2	6913	133	B1-U0-G2	7190	138	B1-U0-G2					
			IV	6799	131	B2-U0-G2	7095	136	B2-U0-G2	7391	142	B2-U0-G2	7686	148	B2-U0-G2					
			IV-FT	6193	119	B1-U0-G2	6463	124	B1-U0-G2	6732	129	B1-U0-G2	7001	134	B1-U0-G2					
			VSQ-N	7107	136	B2-U0-G1	7416	142	B2-U0-G1	7725	148	B2-U0-G1	8034	154	B3-U0-G1					
			VSQ-M	6968	134	B3-U0-G1	7271	140	B3-U0-G1	7574	145	B3-U0-G1	7877	151	B3-U0-G2					
			VSQ-W	6802	131	B3-U0-G2	7098	136	B3-U0-G2	7394	142	B3-U0-G2	7690	148	B3-U0-G2					
			II-HS	4924	95	B1-U0-G2	5138	99	B1-U0-G2	5352	103	B1-U0-G2	5566	107	B1-U0-G2					
			II-FR-HS	5009	96	B0-U0-G1	5227	100	B0-U0-G1	5444	104	B0-U0-G1	5662	109	B1-U0-G1					
			III-M-HS	4981	96	B0-U0-G2	5198	100	B0-U0-G2	5414	104	B0-U0-G2	5631	108	B0-U0-G2					
			III-W-HS	4875	94	B0-U0-G2	5087	98	B0-U0-G2	5299	102	B0-U0-G2	5511	106	B0-U0-G2					
			IV-HS	5146	99	B0-U0-G2	5369	103	B0-U0-G2	5593	107	B0-U0-G2	5817	112	B0-U0-G2					
			IV-FT-HS	4863	93	B0-U0-G2	5074	97	B0-U0-G2	5286	101	B0-U0-G2	5497	106	B0-U0-G2					
24	875	66.5	II	8051	121	B2-U0-G2	8401	126	B2-U0-G2	8751	132	B2-U0-G2	9101	137	B2-U0-G2	N/A	N/A			
			II-FR	8105	122	B2-U0-G1	8458	127	B2-U0-G1	8810	132	B2-U0-G1	9163	138	B2-U0-G1					
			II-ML	8051	121	B3-U0-G3	8401	126	B3-U0-G3	8751	132	B3-U0-G3	9101	137	B3-U0-G3					
			III-M	8192	123	B2-U0-G2	8548	129	B2-U0-G2	8904	134	B2-U0-G2	9260	139	B2-U0-G2					
			III-W	7606	114	B1-U0-G2	7937	119	B2-U0-G2	8267	124	B2-U0-G2	8598	129	B2-U0-G2					
			IV	8129	122	B2-U0-G2	8483	128	B2-U0-G2	8836	133	B2-U0-G2	9190	138	B2-U0-G2					
			IV-FT	7405	111	B2-U0-G2	7727	116	B2-U0-G2	8050	121	B2-U0-G2	8372	126	B2-U0-G2					
			VSQ-N	8498	128	B3-U0-G1	8867	133	B3-U0-G1	9236	139	B3-U0-G1	9606	144	B3-U0-G1					
			VSQ-M	8333	125	B3-U0-G2	8695	131	B3-U0-G2	9057	136	B3-U0-G2	9419	142	B3-U0-G2					
			VSQ-W	8134	122	B3-U0-G2	8487	128	B4-U0-G2	8841	133	B4-U0-G2	9195	138	B4-U0-G2					
			II-HS	5888	89	B1-U0-G2	6144	92	B1-U0-G2	6400	96	B1-U0-G2	6656	100	B1-U0-G2					
			II-FR-HS	5990	90	B1-U0-G1	6250	94	B1-U0-G1	6510	98	B1-U0-G1	6771	102	B1-U0-G1					
			III-M-HS	5957	90	B0-U0-G2	6216	93	B0-U0-G2	6475	97	B0-U0-G2	6734	101	B0-U0-G2					
			III-W-HS	5830	88	B0-U0-G2	6084	91	B0-U0-G2	6337	95	B0-U0-G2	6591	99	B0-U0-G2					
			IV-HS	6153	93	B0-U0-G2	6420	97	B0-U0-G2	6688	101	B0-U0-G2	6955	105	B0-U0-G2					
			IV-FT-HS	5815	87	B0-U0-G2	6067	91	B0-U0-G2	6320	95	B0-U0-G2	6573	99	B0-U0-G2					
24	1050	80.9	II	9160	113	B2-U0-G2	9558	118	B2-U0-G2	9956	123	B2-U0-G2	10354	128	B2-U0-G2	N/A	N/A			
			II-FR	9221	114	B2-U0-G1	9622	119	B2-U0-G1	10023	124	B2-U0-G1	10424	129	B2-U0-G1					
			II-ML	9160	113	B3-U0-G3	9558	118	B3-U0-G3	9956	123	B3-U0-G3	10354	128	B3-U0-G3					
			III-M	9320	115	B2-U0-G2	9725	120	B2-U0-G2	10131	125	B2-U0-G2	10536	130	B2-U0-G2					
			III-W	8653	107	B2-U0-G2	9029	112	B2-U0-G3	9405	116	B2-U0-G3	9782	121	B2-U0-G3					
			IV	9249	114	B2-U0-G2	9651	119	B2-U0-G2	10053	124	B2-U0-G2	10456	129	B2-U0-G2					
			IV-FT	8426	104	B2-U0-G2	8792	109	B2-U0-G3	9158	113	B2-U0-G3	9525	118	B2-U0-G3					
			VSQ-N	9668	120	B3-U0-G1	10088	125	B3-U0-G1	10508	130	B3-U0-G1	10929	135	B3-U0-G1					
			VSQ-M	9480	117	B3-U0-G2	9892	122	B3-U0-G2	10305	127	B3-U0-G2	10717	132	B4-U0-G2					
			VSQ-W	9254	114	B4-U0-G2	9656	119	B4-U0-G3	10059	124	B4-U0-G3	10461	129	B4-U0-G3					
			II-HS	6699	83	B1-U0-G2	6990	86	B1-U0-G2	7281	90	B1-U0-G2	7573	94	B1-U0-G2					
			II-FR-HS	6814	84	B1-U0-G1	7110	88	B1-U0-G1	7407	92	B1-U0-G1	7703	95	B1-U0-G1					
			III-M-HS	6777	84	B0-U0-G2	7072	87	B0-U0-G2	7366	91	B0-U0-G2	7661	95	B1-U0-G2					
			III-W-HS	6633	82	B0-U0-G2	6922	86	B0-U0-G2	7210	89	B0-U0-G2	7498	93	B0-U0-G2					
			IV-HS	7000	87	B0-U0-G2	7305	90	B0-U0-G2	7609	94									

PHOTOMETRIC GUIDE - LUMEN TABLES

RZR-M-PLD																				
LED Count	Drive Current (mA)	System Watts	Dist'n Type	27K (2700K - 70CRI)			30K (3000K - 70CRI)			40K (4000K - 70CRI)			50K (5000K - 70CRI)			System Watts	TRA (590nm)			
				LUMENS	LPW	BUG RATING	LUMENS	LPW	BUG RATING	LUMENS	LPW	BUG RATING	LUMENS	LPW	BUG RATING		LUMENS	LPW	BUG RATING	
48	350	51.5	II	7194	140	B2-U0-G2	7507	146	B2-U0-G2	7820	152	B2-U0-G2	8133	158	B2-U0-G2	41.0	2713	66	B1-U0-G1	
			II-FR	7243	141	B2-U0-G1	7558	147	B2-U0-G1	7873	153	B2-U0-G1	8187	159	B2-U0-G1		2731	67	B1-U0-G1	
			II-ML	7194	140	B3-U0-G3	7507	146	B3-U0-G3	7820	152	B3-U0-G3	8133	158	B3-U0-G3		2713	66	B1-U0-G1	
			III-M	7320	142	B2-U0-G2	7639	148	B2-U0-G2	7957	154	B2-U0-G2	8275	161	B2-U0-G2		2760	67	B1-U0-G1	
			III-W	6797	132	B1-U0-G2	7092	138	B1-U0-G2	7388	143	B1-U0-G2	7683	149	B1-U0-G2		2563	63	B1-U0-G1	
			IV	7265	141	B2-U0-G2	7581	147	B2-U0-G2	7896	153	B2-U0-G2	8212	159	B2-U0-G2		2740	67	B1-U0-G1	
			IV-FT	6618	128	B1-U0-G2	6905	134	B1-U0-G2	7193	140	B1-U0-G2	7481	145	B2-U0-G2		2496	61	B1-U0-G1	
			VSQ-N	7594	147	B2-U0-G1	7924	154	B3-U0-G1	8254	160	B3-U0-G1	8584	167	B3-U0-G1		2864	70	B1-U0-G0	
			VSQ-M	7446	145	B3-U0-G1	7770	151	B3-U0-G2	8094	157	B3-U0-G2	8417	163	B3-U0-G2		2808	68	B2-U0-G1	
			VSQ-W	7269	141	B3-U0-G2	7585	147	B3-U0-G2	7901	153	B3-U0-G2	8217	160	B3-U0-G2		2741	67	B2-U0-G1	
			IHS	5262	102	B1-U0-G2	5491	107	B1-U0-G2	5719	111	B1-U0-G2	5948	115	B1-U0-G2		1984	48	B0-U0-G1	
			II-FR-HS	5352	104	B0-U0-G1	5585	108	B0-U0-G1	5818	113	B1-U0-G1	6050	117	B1-U0-G1		2018	49	B0-U0-G0	
			III-M-HS	5323	103	B0-U0-G2	5555	108	B0-U0-G2	5786	112	B0-U0-G2	6017	117	B0-U0-G2		2007	49	B0-U0-G1	
			III-W-HS	5211	101	B0-U0-G2	5437	106	B0-U0-G2	5664	110	B0-U0-G2	5890	114	B0-U0-G2		1965	48	B0-U0-G1	
			IV-HS	5498	107	B0-U0-G2	5737	111	B0-U0-G2	5976	116	B0-U0-G2	6215	121	B0-U0-G2		2074	51	B0-U0-G1	
			IV-FT-HS	5196	101	B0-U0-G2	5422	105	B0-U0-G2	5648	110	B0-U0-G2	5874	114	B0-U0-G2		1960	48	B0-U0-G1	
48	525	77.8	II	10334	133	B2-U0-G2	10783	139	B2-U0-G2	11232	144	B2-U0-G2	11682	150	B2-U0-G2	62.0	3143	51	B1-U0-G1	
			II-FR	10403	134	B2-U0-G1	10855	140	B2-U0-G1	11308	145	B3-U0-G1	11760	151	B3-U0-G1		3164	51	B1-U0-G1	
			II-ML	10334	133	B3-U0-G3	10783	139	B3-U0-G3	11233	144	B3-U0-G3	11682	150	B3-U0-G3		3143	51	B2-U0-G2	
			III-M	10515	135	B2-U0-G2	10972	141	B2-U0-G2	11429	147	B2-U0-G2	11887	153	B2-U0-G2		3198	52	B1-U0-G1	
			III-W	9763	125	B2-U0-G3	10188	131	B2-U0-G3	10612	136	B2-U0-G3	11037	142	B2-U0-G3		2969	48	B1-U0-G1	
			IV	10436	134	B2-U0-G2	10890	140	B2-U0-G2	11343	146	B2-U0-G2	11797	152	B2-U0-G2		3174	51	B1-U0-G1	
			IV-FT	9506	122	B2-U0-G3	9920	128	B2-U0-G3	10333	133	B2-U0-G3	10746	138	B2-U0-G3		2892	47	B1-U0-G1	
			VSQ-N	10907	140	B3-U0-G1	11382	146	B3-U0-G1	11856	152	B3-U0-G1	12330	158	B3-U0-G1		3317	54	B2-U0-G0	
			VSQ-M	10695	137	B4-U0-G2	11160	143	B4-U0-G2	11626	149	B4-U0-G2	12091	155	B4-U0-G2		3253	52	B2-U0-G1	
			VSQ-W	10441	134	B4-U0-G3	10895	140	B4-U0-G3	11349	146	B4-U0-G3	11803	152	B4-U0-G3		3175	51	B2-U0-G1	
			IHS	7558	97	B1-U0-G2	7887	101	B1-U0-G2	8215	106	B1-U0-G2	8544	110	B1-U0-G2		2298	37	B0-U0-G1	
			II-FR-HS	7688	99	B1-U0-G1	8022	103	B1-U0-G1	8356	107	B1-U0-G1	8690	112	B1-U0-G1		2339	38	B0-U0-G0	
			III-M-HS	7646	98	B1-U0-G2	7978	103	B1-U0-G2	8311	107	B1-U0-G2	8643	111	B1-U0-G2		2325	38	B0-U0-G1	
			III-W-HS	7484	96	B0-U0-G2	7810	100	B0-U0-G2	8135	105	B1-U0-G2	8460	109	B1-U0-G2		2276	37	B0-U0-G1	
			IV-HS	7898	102	B1-U0-G2	8241	106	B1-U0-G2	8584	110	B1-U0-G2	8928	115	B1-U0-G2		2402	39	B0-U0-G1	
			IV-FT-HS	7463	96	B1-U0-G3	7788	100	B1-U0-G3	8112	104	B1-U0-G3	8437	108	B1-U0-G3		2270	37	B0-U0-G1	
48	700	104.1	II	13148	126	B2-U0-G2	13720	132	B2-U0-G2	14291	137	B2-U0-G2	14863	143	B3-U0-G2	N/A	N/A			
			II-FR	13236	127	B3-U0-G1	13811	133	B3-U0-G1	14386	138	B3-U0-G1	14962	144	B3-U0-G2					
			II-ML	13148	126	B3-U0-G3	13720	132	B3-U0-G3	14291	137	B3-U0-G3	14863	143	B4-U0-G4					
			III-M	13378	129	B2-U0-G2	13959	134	B2-U0-G2	14541	140	B2-U0-G2	15123	145	B2-U0-G2					
			III-W	12420	119	B2-U0-G3	12960	124	B2-U0-G3	13500	130	B2-U0-G3	14040	135	B2-U0-G3					
			IV	13277	128	B2-U0-G2	13854	133	B2-U0-G2	14431	139	B2-U0-G2	15008	144	B2-U0-G2					
			IV-FT	12094	116	B2-U0-G3	12620	121	B2-U0-G3	13146	126	B2-U0-G3	13672	131	B2-U0-G3					
			VSQ-N	13876	133	B3-U0-G1	14479	139	B3-U0-G1	15083	145	B3-U0-G1	15686	151	B3-U0-G1					
			VSQ-M	13607	131	B4-U0-G2	14199	136	B4-U0-G2	14790	142	B4-U0-G2	15382	148	B4-U0-G2					
			VSQ-W	13283	128	B4-U0-G3	13860	133	B4-U0-G3	14438	139	B4-U0-G3	15015	144	B4-U0-G3					
			IHS	9616	92	B1-U0-G2	10034	96	B1-U0-G2	10452	100	B1-U0-G2	10870	104	B1-U0-G2					
			II-FR-HS	9781	94	B1-U0-G1	10206	98	B1-U0-G1	10631	102	B1-U0-G1	11056	106	B1-U0-G1					
			III-M-HS	9727	93	B1-U0-G2	10150	98	B1-U0-G2	10573	102	B1-U0-G2	10995	106	B1-U0-G2					
			III-W-HS	9521	91	B1-U0-G3	9935	95	B1-U0-G3	10349	99	B1-U0-G3	10763	103	B1-U0-G3					
			IV-HS	10048	97	B1-U0-G2	10485	101	B1-U0-G2	10921	105	B1-U0-G2	11358	109	B1-U0-G2					
			IV-FT-HS	9496	91	B1-U0-G3	9909	95	B1-U0-G3	10322	99	B1-U0-G3	10735	103	B1-U0-G3					
48	875	132.9	II	15655	118	B3-U0-G2	16336	123	B3-U0-G3	17016	128	B3-U0-G3	17697	133	B3-U0-G3	N/A	N/A			
			II-FR	15759	119	B3-U0-G2	16445	124	B3-U0-G2	17130	129	B3-U0-G2	17815	134	B3-U0-G2					
			II-ML	15655	118	B4-U0-G4	16336	123	B4-U0-G4	17016	128	B4-U0-G4	17697	133	B4-U0-G4					
			III-M	15929	120	B3-U0-G3	16621	125	B3-U0-G3	17314	130	B3-U0-G3	18006	135	B3-U0-G3					
			III-W	14789	111	B2-U0-G3	15432	116	B2-U0-G3	16075	121	B3-U0-G3	16718	126	B3-U0-G3					
			IV	15809	119	B3-U0-G2	16496	124	B3-U0-G3	17183	129	B3-U0-G3	17871	134	B3-U0-G3					
			IV-FT	14401	108	B2-U0-G3	15027	113	B3-U0-G3	15653	118	B3-U0-G3	16279	122	B3-U0-G3					
			VSQ-N	16523	124	B4-U0-G1	17242	130	B4-U0-G2	17960	135	B4-U0-G2	18679	141	B4-U0-G2					
			VSQ-M	16202	122	B4-U0-G2	16907	127	B4-U0-G2	17611	133	B4-U0-G2	18316	138	B4-U0-G2					
			VSQ-W	15816	119	B4-U0-G3	16503	124	B4-U0-G3	17191	129	B5-U0-G3	17879	135	B5-U0-G3					
			IHS	11449	86	B1-U0-G2	11946	90	B1-U0-G2	12444	94	B1-U0-G2	12942	97	B1-U0-G2					
			II-FR-HS	11646	88	B1-U0-G2	12152	91	B1-U0-G2	12659	95	B1-U0-G2	13165	99	B1-U0-G2					
			III-M-HS	11582	87	B1-U0-G2	12086	91	B1-U0-G3	12589	95	B1-U0-G3	13093	99	B1-U0-G3					
			III-W-HS	11337	85	B1-U0-G3	11830	89	B1-U0-G3	12323	93	B1-U0-G3	12816	96	B1-U0-G3					
			IV-HS	11964	90	B1-U0-G2	12484	94	B1-U0-G2	13004	98	B1-U0-G3	13524	102	B1-U0-G3					
			IV-FT-HS	11307	85	B1-U0-G3	11798	89	B1-U0-G3	12290	92	B1-U0-G3	12782	96	B1-U0-G3					
48	1050	161.7	II	17775	110	B3-U0-G3	18548	115	B3-U0-G3	19320	119	B3-U0-G3	20093	124	B3-U0-G3	N/A	N/A			
			II-FR	17894	111	B3-U0-G2	18672	115	B3-U0-G2	19450	120	B3-U0-G2	20228	125	B3-U0-G2					
			II-ML	17775	110	B4-U0-G4	18548	115	B4-U0-G4	19321	119	B4-U0-G4	20094	124	B4-U0-G4					
			III-M	18086	112	B3-U0-G3	18872	117	B3-U0-G3	19658	122	B3-U0-G3	20445	126	B3-U0-G3					
			III-W	16792	104	B3-U0-G3	17522	108	B3-U0-G3	18252	113	B3-U0-G3	18982	117	B3-U0-G4					
			IV	17950	111	B3-U0-G3	18730	116	B3-U0-G3	19511	121	B3-U0-G3	20291	125	B3-U0-G3					
			IV-FT	16351	101	B3-U0-G3	17062	106	B3-U0-G3	17773	110	B3-U0-G3	18484	114	B3-U0-G4					
			VSQ-N	18761	116	B4-U0-G2	19577	121	B4-U0-G2	20392	126	B4-U0-G2	21208	131	B4-U0-G2					
			VSQ-M	18397	114	B4-U0-G2	19197	119	B4-U0-G2	19996	124	B4-U0-G2	20796	129	B4-U0-G2					
			VSQ-W	17957	111	B5-U0-G3	18738	116	B5-U0-G3	19519	121	B5-U0-G3	20300	126	B5-U0-G3					
			IHS	12999	80	B1-U0-G2	13565	84	B1-U0-G3	14130	87	B1-U0-G3	14695	91	B1-U0-G3					
			II-FR-HS	13224	82	B1-U0-G2	13799	85	B1-U0-G2	14373	89	B1-U0-G2	14948	92	B1-U0-G2					
			III-M-HS	13151	81	B1-U0-G3	13723	85	B1-U0-G3	14295	88	B1-U0-G3	14867	92	B1-U0-G3					
			III-W-HS	12873	80	B1-U0-G3														

PHOTOMETRIC DATA GUIDE - LUMEN TABLES

RZR/RZR-MAF-PLED

LED Count	Drive Current (mA)	System Watts	Dist'n Type	27K (2700K - 70CRI)												30K (3000K - 70CRI)			40K (4000K - 70CRI)			50K (5000K - 70CRI)			System Watts	TRA (590nm)		
				LUMENS			LPW			BUG RATING			LUMENS	LPW	BUG RATING	LUMENS	LPW	BUG RATING	LUMENS	LPW	BUG RATING	LUMENS	LPW	BUG RATING				
				LUMENS	LPW	BUG RATING	LUMENS	LPW	BUG RATING	LUMENS	LPW	BUG RATING	LUMENS	LPW	BUG RATING	LUMENS	LPW	BUG RATING	LUMENS	LPW	BUG RATING	LUMENS	LPW	BUG RATING				
40	350	42.9	II	6500	152	B2-U0-G2	6782	158	B2-U0-G2	7065	165	B2-U0-G2	7348	171	B2-U0-G2	33.0	2309	70	B1-U0-G1									
			II-FR	6544	153	B2-U0-G1	6828	159	B2-U0-G1	7113	166	B2-U0-G1	7397	172	B2-U0-G1		2325	70	B1-U0-G0									
			II-ML	6500	152	B3-U0-G3	6783	158	B3-U0-G3	7065	165	B3-U0-G3	7348	171	B3-U0-G3		2309	70	B1-U0-G1									
			III-M	6614	154	B2-U0-G2	6901	161	B2-U0-G2	7189	168	B2-U0-G2	7476	174	B2-U0-G2		2349	71	B1-U0-G1									
			III-W	6141	143	B1-U0-G2	6408	149	B1-U0-G2	6675	156	B1-U0-G2	6942	162	B1-U0-G2		2182	66	B1-U0-G1									
			IV	6564	153	B2-U0-G2	6849	160	B2-U0-G2	7135	166	B2-U0-G2	7420	173	B2-U0-G2		2332	71	B1-U0-G1									
			IV-FT	5979	139	B1-U0-G2	6239	145	B1-U0-G2	6499	152	B1-U0-G2	6759	158	B1-U0-G2		2124	64	B1-U0-G1									
			VSQ-N	6860	160	B2-U0-G1	7159	167	B2-U0-G1	7457	174	B2-U0-G1	7755	181	B2-U0-G1		2438	74	B1-U0-G0									
			VSQ-M	6727	157	B3-U0-G1	7020	164	B3-U0-G1	7313	170	B3-U0-G1	7605	177	B3-U0-G2		2390	72	B2-U0-G1									
			VSQ-W	6567	153	B3-U0-G2	6852	160	B3-U0-G2	7138	166	B3-U0-G2	7423	173	B3-U0-G2		2333	71	B2-U0-G1									
			IHS	4754	111	B1-U0-G2	4961	116	B1-U0-G2	5167	120	B1-U0-G2	5374	125	B1-U0-G2		1689	51	B0-U0-G0									
			II-FR-HS	4836	113	B0-U0-G1	5046	118	B0-U0-G1	5256	123	B0-U0-G1	5466	127	B0-U0-G1		1718	52	B0-U0-G0									
			III-M-HS	4810	112	B0-U0-G2	5019	117	B0-U0-G2	5228	122	B0-U0-G2	5437	127	B0-U0-G2		1708	52	B0-U0-G1									
			III-W-HS	4708	110	B0-U0-G2	4912	115	B0-U0-G2	5117	119	B0-U0-G2	5321	124	B0-U0-G2		1673	51	B0-U0-G1									
			IV-HS	4968	116	B0-U0-G2	5184	121	B0-U0-G2	5400	126	B0-U0-G2	5616	131	B0-U0-G2		1764	53	B0-U0-G1									
			IV-FT-HS	4695	109	B0-U0-G2	4899	114	B0-U0-G2	5103	119	B0-U0-G2	5307	124	B0-U0-G2		1668	51	B0-U0-G1									
			40	525	64.8	II	9340	144	B2-U0-G2	9746	150	B2-U0-G2	10152	157	B2-U0-G2		10559	163	B2-U0-G2	51.0	2715	53	B1-U0-G1					
						II-FR	9403	145	B2-U0-G1	9812	151	B2-U0-G1	10221	158	B2-U0-G1		10630	164	B2-U0-G1		2733	54	B1-U0-G1					
II-ML	9341	144				B3-U0-G3	9747	150	B3-U0-G3	10153	157	B3-U0-G3	10559	163	B3-U0-G3	2715	53	B1-U0-G1										
III-M	9504	147				B2-U0-G2	9917	153	B2-U0-G2	10330	159	B2-U0-G2	10743	166	B2-U0-G2	2762	54	B1-U0-G1										
III-W	8824	136				B2-U0-G3	9208	142	B2-U0-G3	9592	148	B2-U0-G3	9976	154	B2-U0-G3	2565	50	B1-U0-G1										
IV	9433	146				B2-U0-G2	9843	152	B2-U0-G2	10253	158	B2-U0-G2	10663	165	B2-U0-G2	2742	54	B1-U0-G1										
IV-FT	8592	133				B2-U0-G3	8966	138	B2-U0-G3	9340	144	B2-U0-G3	9713	150	B2-U0-G3	2497	49	B1-U0-G1										
VSQ-N	9858	152				B3-U0-G1	10287	159	B3-U0-G1	10716	165	B3-U0-G1	11144	172	B3-U0-G1	2866	56	B1-U0-G0										
VSQ-M	9667	149				B3-U0-G2	10088	156	B3-U0-G2	10508	162	B3-U0-G2	10928	169	B4-U0-G2	2809	55	B2-U0-G1										
VSQ-W	9436	146				B4-U0-G3	9846	152	B4-U0-G3	10257	158	B4-U0-G3	10667	165	B4-U0-G3	2743	54	B2-U0-G1										
IHS	6831	105				B1-U0-G2	7128	110	B1-U0-G2	7425	115	B1-U0-G2	7722	119	B1-U0-G2	1985	39	B0-U0-G1										
II-FR-HS	6949	107				B1-U0-G1	7251	112	B1-U0-G1	7553	117	B1-U0-G1	7855	121	B1-U0-G1	2020	40	B0-U0-G0										
III-M-HS	6911	107				B0-U0-G2	7212	111	B0-U0-G2	7512	116	B1-U0-G2	7813	121	B1-U0-G2	2009	39	B0-U0-G1										
III-W-HS	6764	104				B0-U0-G2	7059	109	B0-U0-G2	7353	113	B0-U0-G2	7647	118	B0-U0-G2	1966	39	B0-U0-G1										
IV-HS	7138	110				B0-U0-G2	7449	115	B1-U0-G2	7759	120	B1-U0-G2	8069	125	B1-U0-G2	2075	41	B0-U0-G1										
IV-FT-HS	6746	104				B0-U0-G2	7040	109	B1-U0-G3	7333	113	B1-U0-G3	7626	118	B1-U0-G3	1960	38	B0-U0-G1										
40	700	86.8				II	11823	136	B2-U0-G2	12337	142	B2-U0-G2	12851	148	B2-U0-G2	13365	154	B2-U0-G2	N/A		N/A							
						II-FR	11903	137	B3-U0-G1	12420	143	B3-U0-G1	12938	149	B3-U0-G1	13455	155	B3-U0-G1										
			II-ML	11824	136	B3-U0-G3	12338	142	B3-U0-G3	12852	148	B3-U0-G3	13366	154	B3-U0-G3													
			III-M	12030	139	B2-U0-G2	12553	145	B2-U0-G2	13076	151	B2-U0-G2	13599	157	B2-U0-G2													
			III-W	11170	129	B2-U0-G3	11656	134	B2-U0-G3	12142	140	B2-U0-G3	12627	145	B2-U0-G3													
			IV	11940	138	B2-U0-G2	12459	144	B2-U0-G2	12978	150	B2-U0-G2	13497	156	B2-U0-G2													
			IV-FT	10876	125	B2-U0-G3	11349	131	B2-U0-G3	11822	136	B2-U0-G3	12295	142	B2-U0-G3													
			VSQ-N	12479	144	B3-U0-G1	13022	150	B3-U0-G1	13564	156	B3-U0-G1	14107	163	B3-U0-G1													
			VSQ-M	12237	141	B4-U0-G2	12769	147	B4-U0-G2	13301	153	B4-U0-G2	13833	159	B4-U0-G2													
			VSQ-W	11945	138	B4-U0-G3	12464	144	B4-U0-G3	12983	150	B4-U0-G3	13502	156	B4-U0-G3													
			IHS	8647	100	B1-U0-G2	9023	104	B1-U0-G2	9399	108	B1-U0-G2	9775	113	B1-U0-G2													
			II-FR-HS	8797	101	B1-U0-G1	9179	106	B1-U0-G1	9561	110	B1-U0-G1	9944	115	B1-U0-G1													
			III-M-HS	8749	101	B1-U0-G2	9129	105	B1-U0-G2	9510	110	B1-U0-G2	9890	114	B1-U0-G2													
			III-W-HS	8563	99	B1-U0-G2	8935	103	B1-U0-G2	9307	107	B1-U0-G2	9680	112	B1-U0-G2													
			IV-HS	9036	104	B1-U0-G2	9429	109	B1-U0-G2	9822	113	B1-U0-G2	10215	118	B1-U0-G2													
			IV-FT-HS	8540	98	B1-U0-G3	8911	103	B1-U0-G3	9282	107	B1-U0-G3	9653	111	B1-U0-G3													
			40	875	110.8	II	14168	128	B2-U0-G2	14785	133	B3-U0-G2	15401	139	B3-U0-G2	16017	145	B3-U0-G2		N/A		N/A						
						II-FR	14264	129	B3-U0-G1	14884	134	B3-U0-G2	15504	140	B3-U0-G2	16125	146	B3-U0-G2										
II-ML	14169	128				B3-U0-G3	14785	133	B4-U0-G4	15401	139	B4-U0-G4	16017	145	B4-U0-G4													
III-M	14416	130				B2-U0-G2	15043	136	B2-U0-G2	15670	141	B3-U0-G2	16297	147	B3-U0-G3													
III-W	13386	121				B2-U0-G3	13968	126	B2-U0-G3	14550	131	B2-U0-G3	15132	137	B2-U0-G3													
IV	14309	129				B2-U0-G2	14931	135	B2-U0-G2	15553	140	B3-U0-G2	16175	146	B3-U0-G2													
IV-FT	13034	118				B2-U0-G3	13601	123	B2-U0-G3	14167	128	B2-U0-G3	14734	133	B2-U0-G3													
VSQ-N	14955	135				B3-U0-G1	15605	141	B3-U0-G1	16255	147	B4-U0-G1	16905	153	B4-U0-G2													
VSQ-M	14665	132				B4-U0-G2	15302	138	B4-U0-G2	15940	144	B4-U0-G2	16578	150	B4-U0-G2													
VSQ-W	14314	129				B4-U0-G3	14937	135	B4-U0-G3	15559	140	B4-U0-G3	16181	146	B4-U0-G3													
IHS	10363	94				B1-U0-G2	10813	98	B1-U0-G2	11264	102	B1-U0-G2	11714	106	B1-U0-G2													
II-FR-HS	10541	95				B1-U0-G1	10999	99	B1-U0-G1	11458	103	B1-U0-G2	11916	108	B1-U0-G2													
III-M-HS	10484	95				B1-U0-G2	10940	99	B1-U0-G2	11396	103	B1-U0-G2	11852	107	B1-U0-G3													
III-W-HS	10262	93				B1-U0-G3	10708	97	B1-U0-G3	11154	101	B1-U0-G3	11600	105	B1-U0-G3													
IV-HS	10828	98				B1-U0-G2	11299	102	B1-U0-G2	11770	106	B1-U0-G2	12241	110	B1-U0-G2													
IV-FT-HS	10234	92				B1-U0-G3	10678	96	B1-U0-G3	11123	100	B1-U0-G3	11568	104	B1-U0-G3													
40	1050	134.8				II	16120	120	B3-U0-G3	16820	125	B3-U0-G3	17521	130	B3-U0-G3	18222	135	B3-U0-G3	N/A		N/A							
						II-FR	16228	120	B3-U0-G2	16934	126	B3-U0-G2	17639	131	B3-U0-G2	18345	136	B3-U0-G2										
			II-ML	16120	120	B4-U0-G4	16821	125	B4-U0-G4	17522	130	B4-U0-G4	18223	135	B4-U0-G4													
			III-M	16402	122	B3-U0-G3	17115	127	B3-U0-G3	17828	132	B3-U0-G3	18541	138	B3-U0-G3													
			III-W	15229	113	B2-U0-G3	15891	118	B3-U0-G3	16554	123	B3-U0-G3	17216	128	B3-U0-G3													
			IV	16279	121	B3-U0-G3	16987	126	B3-U0-G3	17694	131	B3-U0-G3	18402	137	B3-U0-G3													
			IV-FT	14829	110	B2-U0-G3	15474	115	B3-U0-G3	16118	120	B3-U0-G4	16763	124	B3-U0-G4													
			VSQ-N	17014	126	B4-U0-G2	17754	132	B4-U0-G2	18494	137	B4-U0-G2	19233	143	B4-U0-G2													
			VSQ-M	16684	124	B4-U0-G2	17410	129	B4-U0-G2	18135	135	B4-U0-G2	18861	140	B4-U0-G2													
			VSQ-W	16285	121	B4-U0-G3	16993	126	B5-U0-G3	17701	131	B5-U0-G3	18409	137	B5-U0-G3													
			IHS	11789	87	B1-U0-G2	12302	91	B1-U0-G2	12814	95	B1-U0-G2	13327	99	B1-U0-G3													
			II-FR-HS	11993	89	B1-U0-G2	12514	93	B1-U0-G2	13035	97</																	

PHOTOMETRIC DATA GUIDE - LUMEN TABLES

RZR/RZR-MAF-PLED

LED Count	Drive Current (mA)	System Watts	Dist'n Type	27K (2700K - 70CRI)			30K (3000K - 70CRI)			40K (4000K - 70CRI)			50K (5000K - 70CRI)			System Watts	TRA (590nm)			
				LUMENS	LPW	BUG RATING	LUMENS	LPW	BUG RATING	LUMENS	LPW	BUG RATING	LUMENS	LPW	BUG RATING		LUMENS	LPW	BUG RATING	
40	1225	158.9	II	17939	113	B3-U0-G3	18720	118	B3-U0-G3	19499	123	B3-U0-G3	20279	128	B3-U0-G3	N/A	N/A			
			II-FR	18060	114	B3-U0-G2	18845	119	B3-U0-G2	19631	124	B3-U0-G2	20416	128	B3-U0-G2					
			II-ML	17940	113	B4-U0-G4	18720	118	B4-U0-G4	19501	123	B4-U0-G4	20281	128	B4-U0-G4					
			III-M	18254	115	B3-U0-G3	19047	120	B3-U0-G3	19841	125	B3-U0-G3	20635	130	B3-U0-G3					
			III-W	16949	107	B3-U0-G3	17686	111	B3-U0-G3	18423	116	B3-U0-G3	19160	121	B3-U0-G4					
			IV	18117	114	B3-U0-G3	18904	119	B3-U0-G3	19692	124	B3-U0-G3	20480	129	B3-U0-G3					
			IV-FT	16503	104	B3-U0-G4	17221	108	B3-U0-G4	17938	113	B3-U0-G4	18656	117	B3-U0-G4					
			VSQ-N	18935	119	B4-U0-G2	19758	124	B4-U0-G2	20582	130	B4-U0-G2	21405	135	B4-U0-G2					
			VSQ-M	18568	117	B4-U0-G2	19375	122	B4-U0-G2	20183	127	B4-U0-G2	20990	132	B4-U0-G2					
			VSQ-W	18124	114	B5-U0-G3	18912	119	B5-U0-G3	19700	124	B5-U0-G3	20488	129	B5-U0-G3					
			II-HS	13121	83	B1-U0-G3	13691	86	B1-U0-G3	14262	90	B1-U0-G3	14832	93	B1-U0-G3					
			II-FR-HS	13347	84	B1-U0-G2	13927	88	B1-U0-G2	14508	91	B1-U0-G2	15088	95	B1-U0-G2					
			III-M-HS	13275	84	B1-U0-G3	13852	87	B1-U0-G3	14429	91	B1-U0-G3	15006	94	B1-U0-G3					
			III-W-HS	12993	82	B1-U0-G3	13558	85	B1-U0-G3	14123	89	B1-U0-G3	14688	92	B1-U0-G3					
			IV-HS	13711	86	B1-U0-G3	14307	90	B1-U0-G3	14903	94	B1-U0-G3	15499	98	B1-U0-G3					
			IV-FT-HS	12957	82	B1-U0-G3	13521	85	B1-U0-G3	14084	89	B1-U0-G4	14647	92	B1-U0-G4					
40	1400	183.1	II	19441	106	B3-U0-G3	20286	111	B3-U0-G3	21131	115	B3-U0-G3	21977	120	B3-U0-G3	N/A	N/A			
			II-FR	19572	107	B3-U0-G2	20423	112	B3-U0-G2	21274	116	B3-U0-G2	22125	121	B3-U0-G2					
			II-ML	19442	106	B4-U0-G4	20287	111	B4-U0-G4	21133	115	B4-U0-G4	21978	120	B4-U0-G4					
			III-M	19781	108	B3-U0-G3	20641	113	B3-U0-G3	21501	117	B3-U0-G3	22361	122	B3-U0-G3					
			III-W	18367	100	B3-U0-G3	19166	105	B3-U0-G4	19964	109	B3-U0-G4	20763	113	B3-U0-G4					
			IV	19633	107	B3-U0-G3	20487	112	B3-U0-G3	21341	117	B3-U0-G3	22194	121	B3-U0-G3					
			IV-FT	17885	98	B3-U0-G4	18662	102	B3-U0-G4	19440	106	B3-U0-G4	20217	110	B3-U0-G4					
			VSQ-N	20520	112	B4-U0-G2	21412	117	B4-U0-G2	22304	122	B4-U0-G2	23196	127	B4-U0-G2					
			VSQ-M	20122	110	B4-U0-G2	20997	115	B4-U0-G2	21872	119	B5-U0-G3	22747	124	B5-U0-G3					
			VSQ-W	19641	107	B5-U0-G3	20495	112	B5-U0-G3	21349	117	B5-U0-G4	22203	121	B5-U0-G4					
			II-HS	14219	78	B1-U0-G3	14837	81	B1-U0-G3	15455	84	B1-U0-G3	16074	88	B1-U0-G3					
			II-FR-HS	14464	79	B1-U0-G2	15093	82	B1-U0-G2	15722	86	B1-U0-G2	16351	89	B1-U0-G2					
			III-M-HS	14386	79	B1-U0-G3	15012	82	B1-U0-G3	15637	85	B1-U0-G3	16262	89	B1-U0-G3					
			III-W-HS	14080	77	B1-U0-G3	14692	80	B1-U0-G3	15305	84	B1-U0-G4	15917	87	B1-U0-G4					
			IV-HS	14858	81	B1-U0-G3	15504	85	B1-U0-G3	16150	88	B1-U0-G3	16796	92	B1-U0-G3					
			IV-FT-HS	14041	77	B1-U0-G4	14652	80	B1-U0-G4	15262	83	B1-U0-G4	15873	87	B1-U0-G4					

IES File downloads for this product can be found at www.usaltg.com/downloads/asr.html

PHOTOMETRIC GUIDE - LUMEN TABLES

RZR/RZR-MAF-PLED

LED Count	Drive Current (mA)	System Watts	Dist'n Type	27K (2700K - 70CRI)												30K (3000K - 70CRI)			40K (4000K - 70CRI)			50K (5000K - 70CRI)			System Watts	TRA (590nm)																																																																																																																																																																																																																																																																																																																																																																																																																																																																																																																																																																																																																																																																																																																																																																																																																																																																																																																																																																																																																																																																																																				
				LUMENS			LPW			BUG RATING			LUMENS	LPW	BUG RATING	LUMENS	LPW	BUG RATING	LUMENS	LPW	BUG RATING	LUMENS	LPW	BUG RATING																																																																																																																																																																																																																																																																																																																																																																																																																																																																																																																																																																																																																																																																																																																																																																																																																																																																																																																																																																																																																																																																																																						
				LUMENS	LPW	BUG RATING	LUMENS	LPW	BUG RATING	LUMENS	LPW	BUG RATING	LUMENS	LPW	BUG RATING	LUMENS	LPW	BUG RATING	LUMENS	LPW	BUG RATING	LUMENS	LPW	BUG RATING																																																																																																																																																																																																																																																																																																																																																																																																																																																																																																																																																																																																																																																																																																																																																																																																																																																																																																																																																																																																																																																																																																						
80	350	85.8	II	12597	147	B2-U0-G2	13145	153	B2-U0-G2	13692	160	B2-U0-G2	14240	166	B2-U0-G2	14788	172	B2-U0-G2	15336	178	B2-U0-G2	15884	184	B2-U0-G2	16432	190	B2-U0-G2	16980	196	B2-U0-G2	17528	202	B2-U0-G2	18076	208	B2-U0-G2	18624	214	B2-U0-G2	19172	220	B2-U0-G2	19720	226	B2-U0-G2	20268	232	B2-U0-G2	20816	238	B2-U0-G2	21364	244	B2-U0-G2	21912	250	B2-U0-G2	22460	256	B2-U0-G2	23008	262	B2-U0-G2	23556	268	B2-U0-G2	24104	274	B2-U0-G2	24652	280	B2-U0-G2	25200	286	B2-U0-G2	25748	292	B2-U0-G2	26296	298	B2-U0-G2	26844	304	B2-U0-G2	27392	310	B2-U0-G2	27940	316	B2-U0-G2	28488	322	B2-U0-G2	29036	328	B2-U0-G2	29584	334	B2-U0-G2	30132	340	B2-U0-G2	30680	346	B2-U0-G2	31228	352	B2-U0-G2	31776	358	B2-U0-G2	32324	364	B2-U0-G2	32872	370	B2-U0-G2	33420	376	B2-U0-G2	33968	382	B2-U0-G2	34516	388	B2-U0-G2	35064	394	B2-U0-G2	35612	400	B2-U0-G2	36160	406	B2-U0-G2	36708	412	B2-U0-G2	37256	418	B2-U0-G2	37804	424	B2-U0-G2	38352	430	B2-U0-G2	38900	436	B2-U0-G2	39448	442	B2-U0-G2	40000	448	B2-U0-G2	40548	454	B2-U0-G2	41096	460	B2-U0-G2	41644	466	B2-U0-G2	42192	472	B2-U0-G2	42740	478	B2-U0-G2	43288	484	B2-U0-G2	43836	490	B2-U0-G2	44384	496	B2-U0-G2	44932	502	B2-U0-G2	45480	508	B2-U0-G2	46028	514	B2-U0-G2	46576	520	B2-U0-G2	47124	526	B2-U0-G2	47672	532	B2-U0-G2	48220	538	B2-U0-G2	48768	544	B2-U0-G2	49316	550	B2-U0-G2	49864	556	B2-U0-G2	50412	562	B2-U0-G2	50960	568	B2-U0-G2	51508	574	B2-U0-G2	52056	580	B2-U0-G2	52604	586	B2-U0-G2	53152	592	B2-U0-G2	53700	598	B2-U0-G2	54248	604	B2-U0-G2	54796	610	B2-U0-G2	55344	616	B2-U0-G2	55892	622	B2-U0-G2	56440	628	B2-U0-G2	56988	634	B2-U0-G2	57536	640	B2-U0-G2	58084	646	B2-U0-G2	58632	652	B2-U0-G2	59180	658	B2-U0-G2	59728	664	B2-U0-G2	60276	670	B2-U0-G2	60824	676	B2-U0-G2	61372	682	B2-U0-G2	61920	688	B2-U0-G2	62468	694	B2-U0-G2	63016	700	B2-U0-G2	63564	706	B2-U0-G2	64112	712	B2-U0-G2	64660	718	B2-U0-G2	65208	724	B2-U0-G2	65756	730	B2-U0-G2	66304	736	B2-U0-G2	66852	742	B2-U0-G2	67400	748	B2-U0-G2	67948	754	B2-U0-G2	68496	760	B2-U0-G2	69044	766	B2-U0-G2	69592	772	B2-U0-G2	70140	778	B2-U0-G2	70688	784	B2-U0-G2	71236	790	B2-U0-G2	71784	796	B2-U0-G2	72332	802	B2-U0-G2	72880	808	B2-U0-G2	73428	814	B2-U0-G2	73976	820	B2-U0-G2	74524	826	B2-U0-G2	75072	832	B2-U0-G2	75620	838	B2-U0-G2	76168	844	B2-U0-G2	76716	850	B2-U0-G2	77264	856	B2-U0-G2	77812	862	B2-U0-G2	78360	868	B2-U0-G2	78908	874	B2-U0-G2	79456	880	B2-U0-G2	80004	886	B2-U0-G2	80552	892	B2-U0-G2	81100	898	B2-U0-G2	81648	904	B2-U0-G2	82196	910	B2-U0-G2	82744	916	B2-U0-G2	83292	922	B2-U0-G2	83840	928	B2-U0-G2	84388	934	B2-U0-G2	84936	940	B2-U0-G2	85484	946	B2-U0-G2	86032	952	B2-U0-G2	86580	958	B2-U0-G2	87128	964	B2-U0-G2	87676	970	B2-U0-G2	88224	976	B2-U0-G2	88772	982	B2-U0-G2	89320	988	B2-U0-G2	89868	994	B2-U0-G2	90416	1000	B2-U0-G2	90964	1006	B2-U0-G2	91512	1012	B2-U0-G2	92060	1018	B2-U0-G2	92608	1024	B2-U0-G2	93156	1030	B2-U0-G2	93704	1036	B2-U0-G2	94252	1042	B2-U0-G2	94800	1048	B2-U0-G2	95348	1054	B2-U0-G2	95896	1060	B2-U0-G2	96444	1066	B2-U0-G2	96992	1072	B2-U0-G2	97540	1078	B2-U0-G2	98088	1084	B2-U0-G2	98636	1090	B2-U0-G2	99184	1096	B2-U0-G2	99732	1102	B2-U0-G2	100280	1108	B2-U0-G2	100828	1114	B2-U0-G2	101376	1120	B2-U0-G2	101924	1126	B2-U0-G2	102472	1132	B2-U0-G2	103020	1138	B2-U0-G2	103568	1144	B2-U0-G2	104116	1150	B2-U0-G2	104664	1156	B2-U0-G2	105212	1162	B2-U0-G2	105760	1168	B2-U0-G2	106308	1174	B2-U0-G2	106856	1180	B2-U0-G2	107404	1186	B2-U0-G2	107952	1192	B2-U0-G2	108500	1198	B2-U0-G2	109048	1204	B2-U0-G2	109596	1210	B2-U0-G2	110144	1216	B2-U0-G2	110692	1222	B2-U0-G2	111240	1228	B2-U0-G2	111788	1234	B2-U0-G2	112336	1240	B2-U0-G2	112884	1246	B2-U0-G2	113432	1252	B2-U0-G2	113980	1258	B2-U0-G2	114528	1264	B2-U0-G2	115076	1270	B2-U0-G2	115624	1276	B2-U0-G2	116172	1282	B2-U0-G2	116720	1288	B2-U0-G2	117268	1294	B2-U0-G2	117816	1300	B2-U0-G2	118364	1306	B2-U0-G2	118912	1312	B2-U0-G2	119460	1318	B2-U0-G2	120008	1324	B2-U0-G2	120556	1330	B2-U0-G2	121104	1336	B2-U0-G2	121652	1342	B2-U0-G2	122200	1348	B2-U0-G2	122748	1354	B2-U0-G2	123296	1360	B2-U0-G2	123844	1366	B2-U0-G2	124392	1372	B2-U0-G2	124940	1378	B2-U0-G2	125488	1384	B2-U0-G2	126036	1390	B2-U0-G2	126584	1396	B2-U0-G2	127132	1402	B2-U0-G2	127680	1408	B2-U0-G2	128228	1414	B2-U0-G2	128776	1420	B2-U0-G2	129324	1426	B2-U0-G2	129872	1432	B2-U0-G2	130420	1438	B2-U0-G2	130968	1444	B2-U0-G2	131516	1450	B2-U0-G2	132064	1456	B2-U0-G2	132612	1462	B2-U0-G2	133160	1468	B2-U0-G2	133708	1474	B2-U0-G2	134256	1480	B2-U0-G2	134804	1486	B2-U0-G2	135352	1492	B2-U0-G2	135900	1498	B2-U0-G2	136448	1504	B2-U0-G2	136996	1510	B2-U0-G2	137544	1516	B2-U0-G2	138092	1522	B2-U0-G2	138640	1528	B2-U0-G2	139188	1534	B2-U0-G2	139736	1540	B2-U0-G2	140284	1546	B2-U0-G2	140832	1552	B2-U0-G2	141380	1558	B2-U0-G2	141928	1564	B2-U0-G2	142476	1570	B2-U0-G2	143024	1576	B2-U0-G2	143572	1582	B2-U0-G2	144120	1588	B2-U0-G2	144668	1594	B2-U0-G2	145216	1600	B2-U0-G2	145764	1606	B2-U0-G2	146312	1612	B2-U0-G2	146860	1618	B2-U0-G2	147408	1624	B2-U0-G2	147956	1630	B2-U0-G2	148504	1636	B2-U0-G2	149052	1642	B2-U0-G2	149600	1648	B2-U0-G2	150148	1654	B2-U0-G2	150696	1660	B2-U0-G2	151244	1666	B2-U0-G2	151792	1672	B2-U0-G2	152340	1678	B2-U0-G2	152888	1684	B2-U0-G2	153436	1690	B2-U0-G2	153984	1696	B2-U0-G2	154532	1702	B2-U0-G2	155080	1708	B2-U0-G2	155628	1714	B2-U0-G2	156176	1720	B2-U0-G2	156724	1726	B2-U0-G2	157272	1732	B2-U0-G2	157820	1738	B2-U0-G2	158368	1744	B2-U0-G2	158916	1750	B2-U0-G2	159464	1756	B2-U0-G2	160012	1762	B2-U0-G2	160560	1768	B2-U0-G2	161108	1774	B2-U0-G2	161656	1780	B2-U0-G2	162204	1786	B2-U0-G2	162752	1792	B2-U0-G2	163300	1798	B2-U0-G2	163848	1804	B2-U0-G2	164396	1810	B2-U0-G2	164944	1816	B2-U0-G2	165492	1822	B2-U0-G2	166040	1828	B2-U0-G2	166588	1834	B2-U0-G2	167136	1840	B2-U0-G2	167684	1846	B2-U0-G2	168232	1852	B2-U0-G2	168780	1858	B2-U0-G2	169328	1864	B2-U0-G2	169876	1870	B2-U0-G2	170424	1876	B2-U0-G2	170972	1882	B2-U0-G2	171520	1888	B2-U0-G2	172068	1894	B2-U0-G2	172616	1900	B2-U0-G2	173164	1906	B2-U0-G2	173712	1912	B2-U0-G2	174260	1918	B2-U0-G2	174808	1924	B2-U0-G2	175356	1930	B2-U0-G2	175904	1936	B2-U0-G2	176452	1942	B2-U0-G2	177000	1948	B2-U0-G2	177548	1954	B2-U0-G2	178096	1960	B2-U0-G2	178644	1966	B2-U0-G2	179192	1972	B2-U0-G2	179740	1978	B2-U0-G2	180288	1984	B2-U0-G2	180836	1990	B2-U0-G2	181384	1996	B2-U0-G2	181932	2002	B2-U0-G2	182480	2008	B2-U0-G2	183028	2014	B2-U0-G2	183576	2020	B2-U0-G2	184124	2026	B2-U0-G2	184672	2032	B2-U0-G2	185220	2038	B2-U0-G2	185768	2044	B2-U0-G2	186316	2050	B2-U0-G2	186864	2056	B2-U0-G2	187412	2062	B2-U0-G2	187960	2068	B2-U0-G2	188508	2074	B2-U0-G2	189056	2080	B2-U0-G2	189604	2086	B2-U0-G2	190152	2092	B2-U0-G2	190700	2098	B2-U0-G2	191248	2104	B2-U0-G2	191796	2110	B2-U0-G2	192344	2116	B2-U0-G2	192892	2122	B2-U0-G2	193440	2128	B2-U0-G2	193988	2134	B2-U0-G2	194536	2140	B2-U0-G2	195084	2146	B2-U0-G2	195632	2152	B2-U0-G2	196180	2158	B2-U0-G2	196728	2164	B2-U0-G2	197276	2170	B2-U0-G2	197824	2176	B2-U0-G2	198372	2182	B2-U0-G2	198920	2188	B2-U0-G2	199468	2194	B2-U0-G2	200016	2200	B2-U0-G2	200564	2206	B2-U0-G2	201112	2212	B2-U0-G2	201660	2218	B2-U0-G2	202208	2224	B2-U0-G2	202756	2230	B2-U0-G2	203304	2236	B2-U0-G2	203852	2242	B2-U0-G2	204400	2248	B2-U0-G2	204948	2254	B2-U0-G2	205496	2260	B2-U0-G2	206044	2266	B2-U0-G2	206592	2272	B2-U0-G2	207140	2278	B2-U0-G2	207688	2284	B2-U0-G2	208236	2290	B2-U0-G2	208784	2296	B2-U0-G2	209332	2302	B2-U0-G2	209880	2308	B

PHOTOMETRIC DATA GUIDE - LUMEN TABLES

RZR/RZR-MAF-PLED

LED Count	Drive Current (mA)	System Watts	Dist'n Type	27K (2700K - 70CRI)			30K (3000K - 70CRI)			40K (4000K - 70CRI)			50K (5000K - 70CRI)			System Watts	TRA (590nm)			
				LUMENS	LPW	BUG RATING	LUMENS	LPW	BUG RATING	LUMENS	LPW	BUG RATING	LUMENS	LPW	BUG RATING		LUMENS	LPW	BUG RATING	
80	1225	317.9	II	34767	109	B4-U0-G4	36279	114	B4-U0-G4	37790	119	B4-U0-G4	39302	124	B4-U0-G4	N/A	N/A			
			II-FR	35001	110	B4-U0-G2	36523	115	B4-U0-G2	38044	120	B4-U0-G2	39566	124	B4-U0-G2					
			II-ML	34769	109	B5-U0-G5	36280	114	B5-U0-G5	37792	119	B5-U0-G5	39304	124	B5-U0-G5					
			III-M	35375	111	B4-U0-G4	36913	116	B4-U0-G4	38451	121	B4-U0-G5	39989	126	B4-U0-G5					
			III-W	32846	103	B3-U0-G5	34274	108	B3-U0-G5	35702	112	B3-U0-G5	37131	117	B3-U0-G5					
			IV	35110	110	B4-U0-G4	36636	115	B4-U0-G4	38163	120	B4-U0-G4	39689	125	B4-U0-G5					
			IV-FT	31983	101	B3-U0-G5	33373	105	B3-U0-G5	34764	109	B3-U0-G5	36155	114	B3-U0-G5					
			VSQ-N	36696	115	B5-U0-G2	38291	120	B5-U0-G2	39887	125	B5-U0-G2	41482	130	B5-U0-G2					
			VSQ-M	35985	113	B5-U0-G4	37549	118	B5-U0-G4	39114	123	B5-U0-G4	40678	128	B5-U0-G4					
			VSQ-W	35125	110	B5-U0-G5	36652	115	B5-U0-G5	38179	120	B5-U0-G5	39706	125	B5-U0-G5					
			II-HS	25427	80	B2-U0-G4	26533	83	B2-U0-G4	27638	87	B2-U0-G4	28744	90	B2-U0-G4					
			II-FR-HS	25865	81	B2-U0-G2	26989	85	B2-U0-G2	28114	88	B2-U0-G2	29239	92	B2-U0-G2					
			III-M-HS	25725	81	B1-U0-G4	26843	84	B1-U0-G4	27962	88	B1-U0-G5	29080	91	B1-U0-G5					
			III-W-HS	25179	79	B1-U0-G5	26274	83	B1-U0-G5	27369	86	B1-U0-G5	28464	90	B1-U0-G5					
			IV-HS	26570	84	B1-U0-G4	27725	87	B1-U0-G4	28881	91	B1-U0-G4	30036	94	B1-U0-G4					
			IV-FT-HS	25111	79	B1-U0-G5	26202	82	B1-U0-G5	27294	86	B1-U0-G5	28386	89	B1-U0-G5					
80	1400	366.2	II	37677	103	B4-U0-G4	39315	107	B4-U0-G4	40953	112	B4-U0-G4	42591	116	B4-U0-G5	N/A	N/A			
			II-FR	37930	104	B4-U0-G2	39579	108	B4-U0-G2	41228	113	B4-U0-G3	42877	117	B4-U0-G3					
			II-ML	37678	103	B5-U0-G5	39317	107	B5-U0-G5	40955	112	B5-U0-G5	42593	116	B5-U0-G5					
			III-M	38336	105	B4-U0-G5	40003	109	B4-U0-G5	41670	114	B4-U0-G5	43337	118	B4-U0-G5					
			III-W	35595	97	B3-U0-G5	37143	101	B3-U0-G5	38690	106	B3-U0-G5	40238	110	B4-U0-G5					
			IV	38048	104	B4-U0-G4	39703	108	B4-U0-G5	41357	113	B4-U0-G5	43011	117	B4-U0-G5					
			IV-FT	34659	95	B3-U0-G5	36166	99	B3-U0-G5	37673	103	B4-U0-G5	39180	107	B4-U0-G5					
			VSQ-N	39767	109	B5-U0-G2	41496	113	B5-U0-G2	43225	118	B5-U0-G2	44954	123	B5-U0-G2					
			VSQ-M	38996	106	B5-U0-G4	40692	111	B5-U0-G4	42387	116	B5-U0-G4	44082	120	B5-U0-G4					
			VSQ-W	38065	104	B5-U0-G5	39720	108	B5-U0-G5	41374	113	B5-U0-G5	43029	118	B5-U0-G5					
			II-HS	27555	75	B2-U0-G4	28753	79	B2-U0-G4	29951	82	B2-U0-G4	31149	85	B2-U0-G4					
			II-FR-HS	28030	77	B2-U0-G2	29248	80	B2-U0-G2	30467	83	B2-U0-G2	31686	87	B2-U0-G3					
			III-M-HS	27878	76	B1-U0-G5	29090	79	B1-U0-G5	30302	83	B1-U0-G5	31514	86	B1-U0-G5					
			III-W-HS	27287	75	B1-U0-G5	28474	78	B1-U0-G5	29660	81	B1-U0-G5	30846	84	B1-U0-G5					
			IV-HS	28794	79	B1-U0-G4	30046	82	B1-U0-G4	31298	85	B1-U0-G5	32550	89	B1-U0-G5					
			IV-FT-HS	27213	74	B1-U0-G5	28396	78	B1-U0-G5	29579	81	B1-U0-G5	30762	84	B1-U0-G5					

IES File downloads for this product can be found at www.usaltg.com/downloads/asr.html

PHOTOMETRIC DATA GUIDE - LUMEN TABLES

RZR-G-PLD																							
LED Count	Drive Current (mA)	System Watts	Dist'n Type	27K (2700K - 70CRI)			30K (3000K - 70CRI)			40K (4000K - 70CRI)			50K (5000K - 70CRI)			System Watts	TRA (590nm)						
				LUMENS	LPW	BUG RATING	LUMENS	LPW	BUG RATING	LUMENS	LPW	BUG RATING	LUMENS	LPW	BUG RATING		LUMENS	LPW	BUG RATING				
80	350	85.8	II	12975	151	B2-U0-G2	13539	158	B2-U0-G2	14103	164	B2-U0-G2	14667	171	B3-U0-G2	67.0	4610	69	B1-U0-G1				
			II-FR	13062	152	B3-U0-G1	13630	159	B3-U0-G1	14198	165	B3-U0-G1	14766	172	B3-U0-G2		4640	69	B1-U0-G1				
			II-ML	12975	151	B3-U0-G3	13539	158	B3-U0-G3	14104	164	B3-U0-G3	14668	171	B4-U0-G4		4610	69	B2-U0-G2				
			III-M	13201	154	B2-U0-G2	13776	161	B2-U0-G2	14350	167	B2-U0-G2	14924	174	B2-U0-G2		4689	70	B1-U0-G1				
			III-W	12258	143	B2-U0-G3	12791	149	B2-U0-G3	13324	155	B2-U0-G3	13857	161	B2-U0-G3		4354	65	B1-U0-G2				
			IV	13103	153	B2-U0-G2	13672	159	B2-U0-G2	14242	166	B2-U0-G2	14812	173	B2-U0-G2		4654	69	B1-U0-G1				
			IV-FI	11936	139	B2-U0-G3	12455	145	B2-U0-G3	12973	151	B2-U0-G3	13492	157	B2-U0-G3		4240	63	B1-U0-G1				
			VSQ-N	13694	160	B3-U0-G1	14290	167	B3-U0-G1	14885	173	B3-U0-G1	15481	180	B3-U0-G1		4865	73	B2-U0-G1				
			VSQ-M	13429	157	B4-U0-G2	14013	163	B4-U0-G2	14597	170	B4-U0-G2	15181	177	B4-U0-G2		4770	71	B3-U0-G1				
			VSQ-W	13108	153	B4-U0-G3	13678	159	B4-U0-G3	14248	166	B4-U0-G3	14818	173	B4-U0-G3		4656	69	B3-U0-G2				
			IHS	9489	111	B1-U0-G2	9902	115	B1-U0-G2	10314	120	B1-U0-G2	10726	125	B1-U0-G2		3371	50	B0-U0-G1				
			II-FR-HS	9652	112	B1-U0-G1	10072	117	B1-U0-G1	10492	122	B1-U0-G1	10911	127	B1-U0-G1		3428	51	B0-U0-G1				
			III-M-HS	9600	112	B1-U0-G2	10018	117	B1-U0-G2	10435	122	B1-U0-G2	10852	126	B1-U0-G2		3410	51	B0-U0-G1				
			III-W-HS	9397	110	B1-U0-G3	9805	114	B1-U0-G3	10214	119	B1-U0-G3	10622	124	B1-U0-G3		3337	50	B0-U0-G1				
			IV-HS	9916	116	B1-U0-G2	10347	121	B1-U0-G2	10778	126	B1-U0-G2	11209	131	B1-U0-G2		3523	53	B0-U0-G1				
			IV-FI-HS	9371	109	B1-U0-G3	9778	114	B1-U0-G3	10186	119	B1-U0-G3	10593	123	B1-U0-G3		3329	50	B0-U0-G2				
			80	525	129.7	II	18645	144	B3-U0-G3	19455	150	B3-U0-G3	20266	156	B3-U0-G3		21077	163	B3-U0-G3	101.0	5408	54	B1-U0-G1
						II-FR	18770	145	B3-U0-G2	19586	151	B3-U0-G2	20402	157	B3-U0-G2		21218	164	B3-U0-G2		5444	54	B1-U0-G1
II-ML	18645	144				B4-U0-G4	19456	150	B4-U0-G4	20266	156	B4-U0-G4	21077	163	B4-U0-G4	5408	54	B2-U0-G2					
III-M	18971	146				B3-U0-G3	19796	153	B3-U0-G3	20620	159	B3-U0-G3	21445	165	B3-U0-G3	5503	54	B1-U0-G2					
III-W	17614	136				B3-U0-G3	18380	142	B3-U0-G3	19146	148	B3-U0-G4	19912	154	B3-U0-G4	5110	51	B1-U0-G2					
IV	18828	145				B3-U0-G3	19647	151	B3-U0-G3	20466	158	B3-U0-G3	21284	164	B3-U0-G3	5461	54	B1-U0-G1					
IV-FI	17151	132				B3-U0-G4	17897	138	B3-U0-G4	18643	144	B3-U0-G4	19389	149	B3-U0-G4	4975	49	B1-U0-G2					
VSQ-N	19679	152				B4-U0-G2	20535	158	B4-U0-G2	21390	165	B4-U0-G2	22246	172	B4-U0-G2	5709	57	B2-U0-G1					
VSQ-M	19298	149				B4-U0-G2	20137	155	B4-U0-G2	20976	162	B4-U0-G2	21815	168	B5-U0-G3	5597	55	B3-U0-G1					
VSQ-W	18837	145				B5-U0-G3	19656	152	B5-U0-G3	20475	158	B5-U0-G3	21293	164	B5-U0-G4	5464	54	B3-U0-G2					
IHS	13636	105				B1-U0-G3	14228	110	B1-U0-G3	14821	114	B1-U0-G3	15414	119	B1-U0-G3	3956	39	B0-U0-G1					
II-FR-HS	13870	107				B1-U0-G2	14473	112	B1-U0-G2	15077	116	B1-U0-G2	15680	121	B1-U0-G2	4023	40	B0-U0-G1					
III-M-HS	13795	106				B1-U0-G3	14395	111	B1-U0-G3	14995	116	B1-U0-G3	15594	120	B1-U0-G3	4001	40	B0-U0-G1					
III-W-HS	13503	104				B1-U0-G3	14090	109	B1-U0-G3	14677	113	B1-U0-G3	15264	118	B1-U0-G4	3917	39	B0-U0-G2					
IV-HS	14249	110				B1-U0-G3	14868	115	B1-U0-G3	15488	119	B1-U0-G3	16107	124	B1-U0-G3	4133	41	B0-U0-G1					
IV-FI-HS	13466	104				B1-U0-G3	14052	108	B1-U0-G4	14637	113	B1-U0-G4	15222	117	B1-U0-G4	3906	39	B0-U0-G2					
80	700	173.5				II	23601	136	B3-U0-G3	24627	142	B3-U0-G3	25653	148	B3-U0-G3	26679	154	B3-U0-G4	N/A		N/A		
						II-FR	23760	137	B3-U0-G2	24793	143	B3-U0-G2	25826	149	B3-U0-G2	26858	155	B3-U0-G2					
			II-ML	23602	136	B4-U0-G4	24628	142	B4-U0-G4	25654	148	B4-U0-G4	26680	154	B4-U0-G4								
			III-M	24014	138	B3-U0-G4	25058	144	B3-U0-G4	26102	150	B3-U0-G4	27146	156	B3-U0-G4								
			III-W	22297	129	B3-U0-G4	23266	134	B3-U0-G4	24236	140	B3-U0-G4	25205	145	B3-U0-G4								
			IV	23833	137	B3-U0-G3	24870	143	B3-U0-G4	25906	149	B3-U0-G4	26942	155	B3-U0-G4								
			IV-FI	21711	125	B3-U0-G4	22655	131	B3-U0-G4	23599	136	B3-U0-G4	24543	141	B3-U0-G5								
			VSQ-N	24910	144	B4-U0-G2	25993	150	B4-U0-G2	27076	156	B5-U0-G2	28159	162	B5-U0-G2								
			VSQ-M	24427	141	B5-U0-G3	25489	147	B5-U0-G3	26551	153	B5-U0-G3	27613	159	B5-U0-G3								
			VSQ-W	23844	137	B5-U0-G4	24880	143	B5-U0-G4	25917	149	B5-U0-G4	26954	155	B5-U0-G4								
			IHS	17260	99	B1-U0-G3	18011	104	B1-U0-G3	18761	108	B1-U0-G3	19512	112	B1-U0-G3								
			II-FR-HS	17557	101	B1-U0-G2	18321	106	B1-U0-G2	19084	110	B1-U0-G2	19848	114	B1-U0-G2								
			III-M-HS	17462	101	B1-U0-G4	18222	105	B1-U0-G4	18981	109	B1-U0-G4	19740	114	B1-U0-G4								
			III-W-HS	17092	99	B1-U0-G4	17836	103	B1-U0-G4	18579	107	B1-U0-G4	19322	111	B1-U0-G4								
			IV-HS	18036	104	B1-U0-G3	18821	108	B1-U0-G3	19605	113	B1-U0-G4	20389	118	B1-U0-G4								
			IV-FI-HS	17046	98	B1-U0-G4	17787	103	B1-U0-G4	18528	107	B1-U0-G4	19269	111	B1-U0-G4								
			80	875	221.5	II	28283	128	B3-U0-G4	29512	133	B4-U0-G4	30742	139	B4-U0-G4	31972	144	B4-U0-G4		N/A		N/A	
						II-FR	28472	129	B4-U0-G2	29710	134	B4-U0-G2	30948	140	B4-U0-G2	32186	145	B4-U0-G2					
II-ML	28283	128				B4-U0-G4	29513	133	B5-U0-G5	30743	139	B5-U0-G5	31973	144	B5-U0-G5								
III-M	28778	130				B3-U0-G4	30029	136	B3-U0-G4	31280	141	B4-U0-G4	32531	147	B4-U0-G4								
III-W	26720	121				B3-U0-G4	27882	126	B3-U0-G4	29044	131	B3-U0-G4	30205	136	B3-U0-G5								
IV	28561	129				B3-U0-G4	29803	135	B3-U0-G4	31045	140	B4-U0-G4	32287	146	B4-U0-G4								
IV-FI	26017	117				B3-U0-G5	27149	123	B3-U0-G5	28280	128	B3-U0-G5	29411	133	B3-U0-G5								
VSQ-N	29851	135				B5-U0-G2	31149	141	B5-U0-G2	32447	146	B5-U0-G2	33745	152	B5-U0-G2								
VSQ-M	29273	132				B5-U0-G3	30546	138	B5-U0-G3	31819	144	B5-U0-G4	33091	149	B5-U0-G4								
VSQ-W	28574	129				B5-U0-G4	29816	135	B5-U0-G4	31059	140	B5-U0-G4	32301	146	B5-U0-G5								
IHS	20684	93				B1-U0-G4	21584	97	B2-U0-G4	22483	102	B2-U0-G4	23382	106	B2-U0-G4								
II-FR-HS	21040	95				B1-U0-G2	21956	99	B1-U0-G2	22870	103	B1-U0-G2	23785	107	B1-U0-G2								
III-M-HS	20926	94				B1-U0-G4	21836	99	B1-U0-G4	22746	103	B1-U0-G4	23656	107	B1-U0-G4								
III-W-HS	20483	92				B1-U0-G4	21374	96	B1-U0-G4	22264	101	B1-U0-G4	23155	105	B1-U0-G4								
IV-HS	21614	98				B1-U0-G4	22554	102	B1-U0-G4	23494	106	B1-U0-G4	24433	110	B1-U0-G4								
IV-FI-HS	20427	92				B1-U0-G4	21315	96	B1-U0-G4	22203	100	B1-U0-G5	23092	104	B1-U0-G5								
80	1050	269.5				II	32177	119	B4-U0-G4	33576	125	B4-U0-G4	34975	130	B4-U0-G4	36374	135	B4-U0-G4	N/A		N/A		
						II-FR	32393	120	B4-U0-G2	33802	125	B4-U0-G2	35210	131	B4-U0-G2	36619	136	B4-U0-G2					
			II-ML	32179	119	B5-U0-G5	33578	125	B5-U0-G5	34977	130	B5-U0-G5	36376	135	B5-U0-G5								
			III-M	32740	121	B4-U0-G4	34164	127	B4-U0-G4	35587	132	B4-U0-G4	37011	137	B4-U0-G4								
			III-W	30399	113	B3-U0-G5	31721	118	B3-U0-G5	33043	123	B3-U0-G5	34364	128	B3-U0-G5								
			IV	32494	121	B4-U0-G4	33907	126	B4-U0-G4	35320	131	B4-U0-G4	36733	136	B4-U0-G4								
			IV-FI	29600	110	B3-U0-G5	30887	115	B3-U0-G5	32174	119	B3-U0-G5	33461	124	B3-U0-G5								
			VSQ-N	33962	126	B5-U0-G2	35439	131	B5-U0-G2	36916	137	B5-U0-G2	38392	142	B5-U0-G2								
			VSQ-M	33304	124	B5-U0-G4	34752	129	B5-U0-G4	36200	134	B5-U0-G4	37648	140	B5-U0-G4								
			VSQ-W	32508	121	B5-U0-G5	33921	126	B5-U0-G5	35335	131	B5-U0-G5	36749	136	B5-U0-G5								
			IHS	23533	87	B2-U0-G4	24556	91	B2-U0-G4	25579	95	B2-U0-G4	26602	99	B2-U0-G4								
			II-FR-HS	23938	89	B1-U0-G2	24979	93	B1-U0-G2	26019	97	B2-U0-G2	27060	100	B2-U0-G2								
			III-M-HS	23808	88	B1-U0-G4	24843	92															

PHOTOMETRIC GUIDE - LUMEN TABLES

RZR-G-PLD																				
LED Count	Drive Current (mA)	System Watts	Dist'n Type	27K (2700K - 70CRI)			30K (3000K - 70CRI)			40K (4000K - 70CRI)			50K (5000K - 70CRI)			System Watts	TRA (590nm)			
				LUMENS	LPW	BUG RATING	LUMENS	LPW	BUG RATING	LUMENS	LPW	BUG RATING	LUMENS	LPW	BUG RATING		LUMENS	LPW	BUG RATING	
80	1225	317.9	II	35810	113	B4-U0-G4	37367	118	B4-U0-G4	38924	122	B4-U0-G4	40481	127	B4-U0-G4	N/A	N/A			
			II-FR	36051	113	B4-U0-G2	37618	118	B4-U0-G2	39185	123	B4-U0-G2	40753	128	B4-U0-G3					
			II-ML	35812	113	B5-U0-G5	37369	118	B5-U0-G5	38926	122	B5-U0-G5	40483	127	B5-U0-G5					
			III-M	36437	115	B4-U0-G4	38021	120	B4-U0-G5	39605	125	B4-U0-G5	41189	130	B4-U0-G5					
			III-W	33831	106	B3-U0-G5	35302	111	B3-U0-G5	36773	116	B3-U0-G5	38244	120	B3-U0-G5					
			IV	36163	114	B4-U0-G4	37735	119	B4-U0-G4	39308	124	B4-U0-G5	40880	129	B4-U0-G5					
			IV-FT	32942	104	B3-U0-G5	34374	108	B3-U0-G5	35807	113	B3-U0-G5	37239	117	B3-U0-G5					
			VSQ-N	37796	119	B5-U0-G2	39440	124	B5-U0-G2	41083	129	B5-U0-G2	42726	134	B5-U0-G2					
			VSQ-M	37064	117	B5-U0-G4	38675	122	B5-U0-G4	40287	127	B5-U0-G4	41899	132	B5-U0-G4					
			VSQ-W	36179	114	B5-U0-G5	37752	119	B5-U0-G5	39325	124	B5-U0-G5	40898	129	B5-U0-G5					
			II-HS	26190	82	B2-U0-G4	27328	86	B2-U0-G4	28467	90	B2-U0-G4	29606	93	B2-U0-G4					
			II-FR-HS	26641	84	B2-U0-G2	27799	87	B2-U0-G2	28957	91	B2-U0-G2	30116	95	B2-U0-G2					
			III-M-HS	26496	83	B1-U0-G4	27648	87	B1-U0-G4	28800	91	B1-U0-G5	29952	94	B1-U0-G5					
			III-W-HS	25935	82	B1-U0-G5	27062	85	B1-U0-G5	28190	89	B1-U0-G5	29318	92	B1-U0-G5					
			IV-HS	27367	86	B1-U0-G4	28557	90	B1-U0-G4	29747	94	B1-U0-G4	30937	97	B1-U0-G5					
			IV-FT-HS	25864	81	B1-U0-G5	26988	85	B1-U0-G5	28113	88	B1-U0-G5	29238	92	B1-U0-G5					
80	1400	366.2	II	38807	106	B4-U0-G4	40495	111	B4-U0-G4	42182	115	B4-U0-G5	43869	120	B4-U0-G5	N/A	N/A			
			II-FR	39068	107	B4-U0-G2	40767	111	B4-U0-G3	42465	116	B4-U0-G3	44164	121	B4-U0-G3					
			II-ML	38809	106	B5-U0-G5	40496	111	B5-U0-G5	42183	115	B5-U0-G5	43871	120	B5-U0-G5					
			III-M	39486	108	B4-U0-G5	41203	113	B4-U0-G5	42920	117	B4-U0-G5	44637	122	B4-U0-G5					
			III-W	36663	100	B3-U0-G5	38257	104	B3-U0-G5	39851	109	B4-U0-G5	41445	113	B4-U0-G5					
			IV	39190	107	B4-U0-G5	40894	112	B4-U0-G5	42598	116	B4-U0-G5	44301	121	B4-U0-G5					
			IV-FT	35699	97	B3-U0-G5	37251	102	B3-U0-G5	38804	106	B4-U0-G5	40356	110	B4-U0-G5					
			VSQ-N	40960	112	B5-U0-G2	42741	117	B5-U0-G2	44522	122	B5-U0-G2	46302	126	B5-U0-G2					
			VSQ-M	40166	110	B5-U0-G4	41912	114	B5-U0-G4	43659	119	B5-U0-G4	45405	124	B5-U0-G4					
			VSQ-W	39206	107	B5-U0-G5	40911	112	B5-U0-G5	42616	116	B5-U0-G5	44320	121	B5-U0-G5					
			II-HS	28382	78	B2-U0-G4	29616	81	B2-U0-G4	30850	84	B2-U0-G4	32084	88	B2-U0-G5					
			II-FR-HS	28871	79	B2-U0-G2	30126	82	B2-U0-G2	31381	86	B2-U0-G3	32636	89	B2-U0-G3					
			III-M-HS	28714	78	B1-U0-G5	29963	82	B1-U0-G5	31211	85	B1-U0-G5	32459	89	B1-U0-G5					
			III-W-HS	28106	77	B1-U0-G5	29328	80	B1-U0-G5	30550	83	B1-U0-G5	31772	87	B1-U0-G5					
			IV-HS	29658	81	B1-U0-G4	30947	85	B1-U0-G5	32237	88	B1-U0-G5	33526	92	B2-U0-G5					
			IV-FT-HS	28029	77	B1-U0-G5	29248	80	B1-U0-G5	30466	83	B1-U0-G5	31685	87	B2-U0-G5					

IES File downloads for this product can be found at www.usaltg.com/downloads/asr.html

PHOTOMETRIC DATA GUIDE - LUMEN TABLES

RZR-G-PLD																				
LED Count	Drive Current (mA)	System Watts	Dist'n Type	27K (2700K - 70CRI)			30K (3000K - 70CRI)			40K (4000K - 70CRI)			50K (5000K - 70CRI)			System Watts	TRA (590nm)			
				LUMENS	LPW	BUG RATING	LUMENS	LPW	BUG RATING	LUMENS	LPW	BUG RATING	LUMENS	LPW	BUG RATING		LUMENS	LPW	BUG RATING	
120	350	128.7	II	18895	147	B3-U0-G3	19717	153	B3-U0-G3	20538	160	B3-U0-G3	21360	166	B3-U0-G3	100.5	6713	67	B2-U0-G2	
			II-FR	19022	148	B3-U0-G2	19849	154	B3-U0-G2	20676	161	B3-U0-G2	21503	167	B3-U0-G2		6757	67	B2-U0-G1	
			II-ML	18896	147	B4-U0-G4	19718	153	B4-U0-G4	20539	160	B4-U0-G4	21361	166	B4-U0-G4		6713	67	B3-U0-G3	
			III-M	19226	149	B3-U0-G3	20062	156	B3-U0-G3	20897	162	B3-U0-G3	21733	169	B3-U0-G3		6829	68	B2-U0-G2	
			III-W	17851	139	B3-U0-G3	18627	145	B3-U0-G4	19403	151	B3-U0-G4	20179	157	B3-U0-G4		6341	63	B1-U0-G2	
			IV	19081	148	B3-U0-G3	19911	155	B3-U0-G3	20741	161	B3-U0-G3	21570	168	B3-U0-G3		6778	67	B2-U0-G2	
			IV-FI	17382	135	B3-U0-G4	18138	141	B3-U0-G4	18893	147	B3-U0-G4	19649	153	B3-U0-G4		6175	61	B1-U0-G2	
			VSQ-N	19943	155	B4-U0-G2	20810	162	B4-U0-G2	21677	168	B4-U0-G2	22544	175	B4-U0-G2		7085	70	B2-U0-G1	
			VSQ-M	19557	152	B4-U0-G2	20407	159	B4-U0-G2	21267	165	B5-U0-G3	22108	172	B5-U0-G3		6947	69	B3-U0-G1	
			VSQ-W	19089	148	B5-U0-G3	19920	155	B5-U0-G3	20750	161	B5-U0-G3	21580	168	B5-U0-G4		6781	67	B3-U0-G2	
			II-HS	13819	107	B1-U0-G3	14420	112	B1-U0-G3	15021	117	B1-U0-G3	15622	121	B1-U0-G3		4909	49	B1-U0-G2	
			II-FR-HS	14057	109	B1-U0-G2	14668	114	B1-U0-G2	15279	119	B1-U0-G2	15890	123	B1-U0-G2		4993	50	B0-U0-G1	
			III-M-HS	13981	109	B1-U0-G3	14589	113	B1-U0-G3	15197	118	B1-U0-G3	15804	123	B1-U0-G3		4967	49	B0-U0-G2	
			III-W-HS	13685	106	B1-U0-G3	14279	111	B1-U0-G3	14875	116	B1-U0-G4	15470	120	B1-U0-G4		4860	48	B0-U0-G2	
			IV-HS	14440	112	B1-U0-G3	15068	117	B1-U0-G3	15696	122	B1-U0-G3	16324	127	B1-U0-G3		5131	51	B0-U0-G2	
			IV-FI-HS	13647	106	B1-U0-G3	14241	111	B1-U0-G4	14834	115	B1-U0-G4	15427	120	B1-U0-G4		4848	48	B0-U0-G2	
120	525	194.5	II	27152	140	B3-U0-G4	28333	146	B3-U0-G4	29513	152	B4-U0-G4	30694	158	B4-U0-G4	151.5	7876	52	B2-U0-G2	
			II-FR	27335	141	B3-U0-G2	28523	147	B4-U0-G2	29712	153	B4-U0-G2	30900	159	B4-U0-G2		7928	52	B2-U0-G1	
			II-ML	27153	140	B4-U0-G4	28334	146	B4-U0-G4	29514	152	B5-U0-G5	30695	158	B5-U0-G5		7876	52	B3-U0-G3	
			III-M	27627	142	B3-U0-G4	28828	148	B3-U0-G4	30030	154	B3-U0-G4	31231	161	B4-U0-G4		8014	53	B2-U0-G2	
			III-W	25652	132	B3-U0-G4	26768	138	B3-U0-G4	27883	143	B3-U0-G4	28998	149	B3-U0-G4		7442	49	B1-U0-G2	
			IV	27420	141	B3-U0-G4	28612	147	B3-U0-G4	29804	153	B3-U0-G4	30996	159	B4-U0-G4		7954	52	B2-U0-G2	
			IV-FI	24978	128	B3-U0-G5	26063	134	B3-U0-G5	27150	140	B3-U0-G5	28236	145	B3-U0-G5		7246	48	B1-U0-G2	
			VSQ-N	28658	147	B5-U0-G2	29904	154	B5-U0-G2	31150	160	B5-U0-G2	32396	167	B5-U0-G2		8314	55	B3-U0-G1	
			VSQ-M	28103	144	B5-U0-G3	29325	151	B5-U0-G3	30547	157	B5-U0-G3	31769	163	B5-U0-G4		8151	54	B3-U0-G2	
			VSQ-W	27432	141	B5-U0-G4	28625	147	B5-U0-G4	29817	153	B5-U0-G4	31010	159	B5-U0-G4		7957	53	B3-U0-G2	
			II-HS	19858	102	B1-U0-G4	20721	107	B2-U0-G4	21585	111	B2-U0-G4	22448	115	B2-U0-G4		5761	38	B1-U0-G2	
			II-FR-HS	20200	104	B1-U0-G2	21078	108	B1-U0-G2	21956	113	B1-U0-G2	22834	117	B1-U0-G2		5859	39	B1-U0-G1	
			III-M-HS	20090	103	B1-U0-G4	20964	108	B1-U0-G4	21837	112	B1-U0-G4	22711	117	B1-U0-G4		5827	38	B0-U0-G2	
			III-W-HS	19664	101	B1-U0-G4	20519	105	B1-U0-G4	21374	110	B1-U0-G4	22229	114	B1-U0-G4		5704	38	B0-U0-G2	
			IV-HS	20751	107	B1-U0-G4	21653	111	B1-U0-G4	22555	116	B1-U0-G4	23457	121	B1-U0-G4		6020	40	B0-U0-G2	
			IV-FI-HS	19611	101	B1-U0-G4	20464	105	B1-U0-G4	21316	110	B1-U0-G4	22169	114	B1-U0-G5		5689	38	B0-U0-G2	
120	700	260.3	II	34370	132	B4-U0-G4	35865	138	B4-U0-G4	37359	144	B4-U0-G4	38853	149	B4-U0-G4	N/A	N/A			
			II-FR	34601	133	B4-U0-G2	36106	139	B4-U0-G2	37610	144	B4-U0-G2	39114	150	B4-U0-G2					
			II-ML	34371	132	B5-U0-G5	35866	138	B5-U0-G5	37360	144	B5-U0-G5	38855	149	B5-U0-G5					
			III-M	34972	134	B4-U0-G4	36492	140	B4-U0-G4	38013	146	B4-U0-G5	39533	152	B4-U0-G5					
			III-W	32471	125	B3-U0-G5	33883	130	B3-U0-G5	35295	136	B3-U0-G5	36707	141	B3-U0-G5					
			IV	34709	133	B4-U0-G4	36218	139	B4-U0-G4	37727	145	B4-U0-G4	39236	151	B4-U0-G5					
			IV-FI	31618	121	B3-U0-G5	32993	127	B3-U0-G5	34367	132	B3-U0-G5	35742	137	B3-U0-G5					
			VSQ-N	36277	139	B5-U0-G2	37854	145	B5-U0-G2	39431	151	B5-U0-G2	41008	158	B5-U0-G2					
			VSQ-M	35574	137	B5-U0-G4	37120	143	B5-U0-G4	38667	149	B5-U0-G4	40214	154	B5-U0-G4					
			VSQ-W	34724	133	B5-U0-G5	36233	139	B5-U0-G5	37743	145	B5-U0-G5	39253	151	B5-U0-G5					
			II-HS	25137	97	B2-U0-G4	26230	101	B2-U0-G4	27322	105	B2-U0-G4	28415	109	B2-U0-G4					
			II-FR-HS	25569	98	B2-U0-G2	26681	103	B2-U0-G2	27793	107	B2-U0-G2	28905	111	B2-U0-G2					
			III-M-HS	25431	98	B1-U0-G4	26537	102	B1-U0-G4	27643	106	B1-U0-G4	28748	110	B1-U0-G5					
			III-W-HS	24892	96	B1-U0-G5	25974	100	B1-U0-G5	27057	104	B1-U0-G5	28139	108	B1-U0-G5					
			IV-HS	26267	101	B1-U0-G4	27409	105	B1-U0-G4	28551	110	B1-U0-G4	29693	114	B1-U0-G4					
			IV-FI-HS	24824	95	B1-U0-G5	25903	100	B1-U0-G5	26983	104	B1-U0-G5	28062	108	B1-U0-G5					
120	875	332.3	II	41188	124	B4-U0-G4	42979	129	B4-U0-G5	44770	135	B4-U0-G5	46561	140	B4-U0-G5	N/A	N/A			
			II-FR	41465	125	B4-U0-G3	43268	130	B4-U0-G3	45071	136	B4-U0-G3	46874	141	B4-U0-G3					
			II-ML	41190	124	B5-U0-G5	42981	129	B5-U0-G5	44772	135	B5-U0-G5	46563	140	B5-U0-G5					
			III-M	41909	126	B4-U0-G5	43731	132	B4-U0-G5	45553	137	B4-U0-G5	47375	143	B4-U0-G5					
			III-W	38913	117	B3-U0-G5	40605	122	B4-U0-G5	42296	127	B4-U0-G5	43988	132	B4-U0-G5					
			IV	41594	125	B4-U0-G5	43402	131	B4-U0-G5	45211	136	B4-U0-G5	47020	141	B4-U0-G5					
			IV-FI	37890	114	B4-U0-G5	39537	119	B4-U0-G5	41185	124	B4-U0-G5	42832	129	B4-U0-G5					
			VSQ-N	43473	131	B5-U0-G2	45363	137	B5-U0-G2	47253	142	B5-U0-G3	49143	148	B5-U0-G3					
			VSQ-M	42631	128	B5-U0-G4	44484	134	B5-U0-G4	46338	139	B5-U0-G4	48191	145	B5-U0-G4					
			VSQ-W	41613	125	B5-U0-G5	43422	131	B5-U0-G5	45231	136	B5-U0-G5	47041	142	B5-U0-G5					
			II-HS	30123	91	B2-U0-G4	31433	95	B2-U0-G5	32742	99	B2-U0-G5	34052	102	B2-U0-G5					
			II-FR-HS	30642	92	B2-U0-G2	31974	96	B2-U0-G3	33306	100	B2-U0-G3	34639	104	B2-U0-G3					
			III-M-HS	30475	92	B1-U0-G5	31800	96	B1-U0-G5	33125	100	B1-U0-G5	34450	104	B2-U0-G5					
			III-W-HS	29830	90	B1-U0-G5	31127	94	B1-U0-G5	32424	98	B1-U0-G5	33721	101	B1-U0-G5					
			IV-HS	31477	95	B1-U0-G5	32846	99	B1-U0-G5	34214	103	B2-U0-G5	35583	107	B2-U0-G5					
			IV-FI-HS	29748	90	B1-U0-G5	31042	93	B2-U0-G5	32335	97	B2-U0-G5	33629	101	B2-U0-G5					
120	1050	404.3	II	46860	116	B4-U0-G5	48898	121	B5-U0-G5	50935	126	B5-U0-G5	52973	131	B5-U0-G5	N/A	N/A			
			II-FR	47175	117	B4-U0-G3	49226	122	B4-U0-G3	51277	127	B4-U0-G3	53328	132	B4-U0-G3					
			II-ML	46862	116	B5-U0-G5	48900	121	B5-U0-G5	50937	126	B5-U0-G5	52975	131	B5-U0-G5					
			III-M	47680	118	B4-U0-G5	49753	123	B4-U0-G5	51826	128	B4-U0-G5	53899	133	B5-U0-G5					
			III-W	44271	110	B4-U0-G5	46196	114	B4-U0-G5	48121	119	B4-U0-G5	50045	124	B4-U0-G5					
			IV	47322	117	B4-U0-G5	49379	122	B4-U0-G5	51437	127	B4-U0-G5	53494	132	B5-U0-G5					
			IV-FI	43107	107	B4-U0-G5	44981	111	B4-U0-G5	46856	116	B4-U0-G5	48730	121	B4-U0-G5					
			VSQ-N	49459	122	B5-U0-G3	51610	128	B5-U0-G3	53760	133	B5-U0-G3	55911	138	B5-U0-G3					
			VSQ-M	48501	120	B5-U0-G4	50609	125	B5-U0-G4	52718	130	B5-U0-G5	54827	136	B5-U0-G5					
			VSQ-W	47342	117	B5-U0-G5	49401	122	B5-U0-G5	51459	127	B5-U0-G5	53517	132	B5-U0-G5					
			II-HS	34271	85	B2-U0-G5	35761	88	B2-U0-G5	37251	92	B2-U0-G5	38741	96	B2-U0-G5					
			II-FR-HS	34861	86	B2-U0-G3	36377	90	B2-U0-G3	37893	94	B2-U0-G3	39408	97	B2-U0-G3					
			III-M-HS	34672	86	B2-U0-G5														

PHOTOMETRIC DATA GUIDE - ISOFOOTCANDLE PLOTS

RZR-G-PLD																				
LED Count	Drive Current (mA)	System Watts	Dist'n Type	27K (2700K - 70CRI)			30K (3000K - 70CRI)			40K (4000K - 70CRI)			50K (5000K - 70CRI)			System Watts	TRA (590nm)			
				LUMENS	LPW	BUG RATING	LUMENS	LPW	BUG RATING	LUMENS	LPW	BUG RATING	LUMENS	LPW	BUG RATING		LUMENS	LPW	BUG RATING	
120	1225	476.8	II	52151	109	B5-U0-G5	54418	114	B5-U0-G5	56686	119	B5-U0-G5	58953	124	B5-U0-G5	N/A	N/A			
			II-FR	52501	110	B4-U0-G3	54784	115	B4-U0-G3	57067	120	B5-U0-G3	59349	124	B5-U0-G3					
			II-ML	52152	109	B5-U0-G5	54420	114	B5-U0-G5	56687	119	B5-U0-G5	58955	124	B5-U0-G5					
			III-M	53063	111	B5-U0-G5	55370	116	B5-U0-G5	57677	121	B5-U0-G5	59984	126	B5-U0-G5					
			III-W	49269	103	B4-U0-G5	51411	108	B4-U0-G5	53554	112	B4-U0-G5	55696	117	B4-U0-G5					
			IV	52665	110	B5-U0-G5	54954	115	B5-U0-G5	57244	120	B5-U0-G5	59534	125	B5-U0-G5					
			IV-FI	47974	101	B4-U0-G5	50060	105	B4-U0-G5	52146	109	B4-U0-G5	54232	114	B4-U0-G5					
			VSQ-N	55043	115	B5-U0-G3	57436	120	B5-U0-G3	59830	125	B5-U0-G3	62223	131	B5-U0-G3					
			VSQ-M	53977	113	B5-U0-G5	56324	118	B5-U0-G5	58670	123	B5-U0-G5	61017	128	B5-U0-G5					
			VSQ-W	52688	111	B5-U0-G5	54978	115	B5-U0-G5	57269	120	B5-U0-G5	59560	125	B5-U0-G5					
			II-HS	38140	80	B2-U0-G5	39799	83	B2-U0-G5	41457	87	B3-U0-G5	43115	90	B3-U0-G5					
			II-FR-HS	38797	81	B2-U0-G3	40484	85	B2-U0-G3	42171	88	B2-U0-G3	43858	92	B2-U0-G3					
			III-M-HS	38587	81	B2-U0-G5	40265	84	B2-U0-G5	41942	88	B2-U0-G5	43620	91	B2-U0-G5					
			III-W-HS	37769	79	B2-U0-G5	39411	83	B2-U0-G5	41054	86	B2-U0-G5	42696	90	B2-U0-G5					
			IV-HS	39855	84	B2-U0-G5	41588	87	B2-U0-G5	43321	91	B2-U0-G5	45054	94	B2-U0-G5					
			IV-FI-HS	37666	79	B2-U0-G5	39304	82	B2-U0-G5	40941	86	B2-U0-G5	42579	89	B2-U0-G5					
120	1400	549.3	II	56515	103	B5-U0-G5	58973	107	B5-U0-G5	61430	112	B5-U0-G5	63887	116	B5-U0-G5	N/A	N/A			
			II-FR	56895	104	B5-U0-G3	59369	108	B5-U0-G3	61842	113	B5-U0-G4	64316	117	B5-U0-G4					
			II-ML	56518	103	B5-U0-G5	58975	107	B5-U0-G5	61432	112	B5-U0-G5	63890	116	B5-U0-G5					
			III-M	57504	105	B5-U0-G5	60004	109	B5-U0-G5	62504	114	B5-U0-G5	65005	118	B5-U0-G5					
			III-W	53392	97	B4-U0-G5	55714	101	B4-U0-G5	58035	106	B4-U0-G5	60357	110	B4-U0-G5					
			IV	57073	104	B5-U0-G5	59554	108	B5-U0-G5	62036	113	B5-U0-G5	64517	117	B5-U0-G5					
			IV-FI	51989	95	B4-U0-G5	54249	99	B4-U0-G5	56510	103	B4-U0-G5	58771	107	B4-U0-G5					
			VSQ-N	59650	109	B5-U0-G3	62244	113	B5-U0-G3	64837	118	B5-U0-G3	67431	123	B5-U0-G3					
			VSQ-M	58495	106	B5-U0-G5	61038	111	B5-U0-G5	63581	116	B5-U0-G5	66124	120	B5-U0-G5					
			VSQ-W	57097	104	B5-U0-G5	59579	108	B5-U0-G5	62062	113	B5-U0-G5	64544	118	B5-U0-G5					
			II-HS	41333	75	B2-U0-G5	43130	79	B3-U0-G5	44927	82	B3-U0-G5	46724	85	B3-U0-G5					
			II-FR-HS	42045	77	B2-U0-G3	43873	80	B2-U0-G3	45701	83	B2-U0-G3	47529	87	B2-U0-G4					
			III-M-HS	41817	76	B2-U0-G5	43635	79	B2-U0-G5	45453	83	B2-U0-G5	47271	86	B2-U0-G5					
			III-W-HS	40931	75	B2-U0-G5	42711	78	B2-U0-G5	44490	81	B2-U0-G5	46270	84	B2-U0-G5					
			IV-HS	43191	79	B2-U0-G5	45069	82	B2-U0-G5	46947	85	B2-U0-G5	48825	89	B2-U0-G5					
			IV-FI-HS	40819	74	B2-U0-G5	42594	78	B2-U0-G5	44368	81	B2-U0-G5	46143	84	B2-U0-G5					

IES File downloads for this product can be found at www.usaltg.com/downloads/asr.html