

AREA & ROADWAY LIGHTING

SHOREWOOD LANTERN - PLED

PROJECT NAME: _____

PROJECT TYPE: _____

Luminaire

Housing is made from durable, corrosion resistant aluminum. Luminaire is available with open frame (no lens) or with optional drop-down diffusing lenses. Lenses are high impact, UV stable acrylic available in clear patterned or opal white patterned. Post-top luminaire base has 3" I.D. opening for tenon. Pendant Mount uses Tru-Level™ ball coupling mount. All hardware is stainless steel. Luminaire is UL® Listed for Wet Location.

PLED™ Optics

Emitters (LED's) are arrayed on a metal core PCB panel with each emitter located on a copper thermal transfer pad and enclosed by an LED refractor. LED optics completely seal each individual emitter to meet an IP66 rating. In asymmetric distributions, a micro-reflector inside the refractor re-directs the house side emitter output towards the street side, maximizing usable light. Optional house side shields are available that cover each individual optic. Refractors are injection molded H12 acrylic. Each LED refractor is sealed to the PCB over an emitter and all refractors are retained by an aluminum frame. Any one Panel, or group of Panels in a luminaire, have the same optical pattern. LED refractors produce standard site/area distributions. Panels are field replaceable and field rotatable in 90° increments. Quick-disconnects are provided above each panel for fast field replacement. No lens fixture option will provide "U0" no uplight optical package.

LED Emitters

High Power White LED's are driven between 350mA and 875mA for a maximum output of 2.5 Watts nominal. LED's are available in standard Neutral White (4000K), Cool White (5000K), or Warm White (2700K & 3000K). All Standard LED's have a minimum of 70 CRI. Consult Factory for other LED options. Lumen Maintenance of L94 at 60,000 hours (TM-21 calculated at 6x Test Time).

True Amber LED's TRA-True Amber LED's emit light in the amber spectral bandwidth centered on 585-590nm. True Amber has negligible blue light and is suitable for wildlife.

LED Driver

Constant current electronic with a power factor of >.90 and a minimum operating temperature of -40°F/-40°C. Driver(s) is/are UL and cUL recognized. In-line terminal blocks facilitate wiring between the driver and optical arrays. Drivers accept an input of 120-277V, 50/60Hz or 347V-480V, 50,60Hz. (0 - 10V dimmable driver is standard. Driver has a minimum of 3KV internal surge protection. Luminaire supplied with 20KV surge protector for field installation.)

Finish

Super TGIC polyester powder coating is applied onto a metal substrate this has been pretreated with a four-stage process for maximum adhesion and color retention. The top coat is baked at 400° F for maximum hardness and exterior durability.



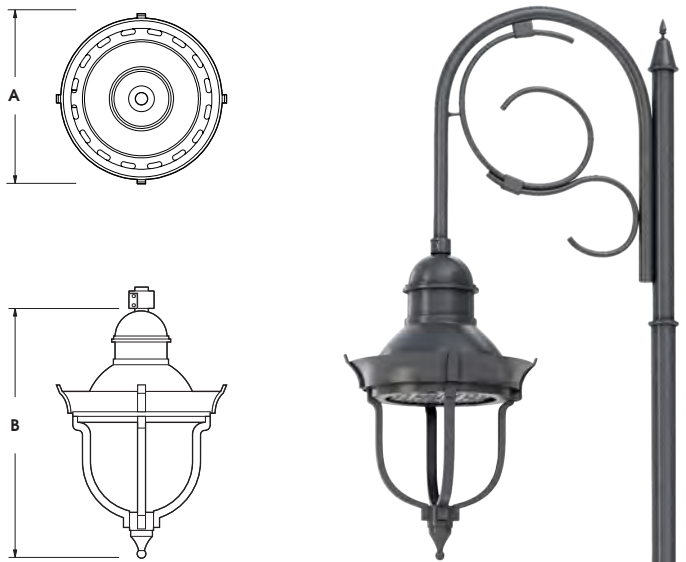
SHW-T (Tenon Mount)

(SHW28T shown)

Patent pending

Filter supplied to fit over 2 7/8" X 3" (73mm X 76mm) tenon.

Fixture	A	B
SHW28T	28" (711mm)	44" (1118mm)
SHW21T	21" (533mm)	32" (813mm)



SHW-P (Pendant Mount)

(SHW28P shown w/ XPG arm)

Patent pending

Filter supplied to fit over 2 7/8" X 3" (73mm X 76mm) tenon.

Fixture	A	B
SHW28P	28" (711mm)	44" (1118mm)
SHW21P	21" (533mm)	31" (787mm)

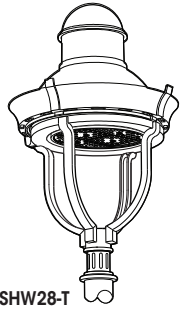


2024100

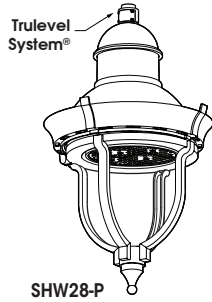
SHW SERIES - LED

SPECIFICATIONS

EPA & WEIGHT



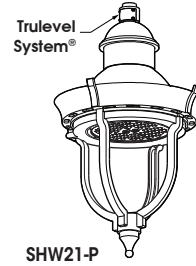
SHW28-T
Max Weight = 70 lbs
Max EPA = 1.88
80 LED Max



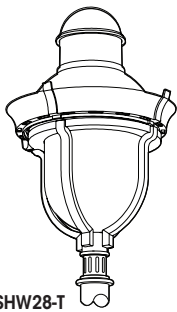
SHW28-P
Max Weight = 70 lbs
Max EPA = 1.88
80 LED Max



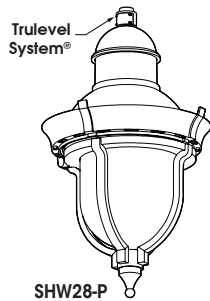
SHW21-T
Max Weight = 39 lbs
Max EPA = 1.01
36 LED Max



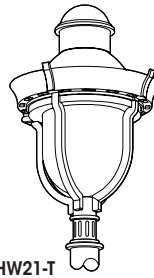
SHW21-P
Max Weight = 39 lbs
Max EPA = 1.01
36 LED Max



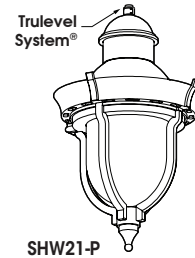
SHW28-T (w/ lens)
Max Weight = 80 lbs
Max EPA = 2.83
80 LED Max



SHW28-P (w/ lens)
Max Weight = 80 lbs
Max EPA = 2.83
80 LED Max

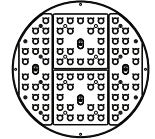


SHW21-T (w/ lens)
Max Weight = 45 lbs
Max EPA = 1.56
36 LED Max

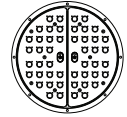


SHW21-P (w/ lens)
Max Weight = 45 lbs
Max EPA = 1.56
36 LED Max

PLED™ MODULES



80 LED Module



48 LED Module



36 LED Module



20 LED Module

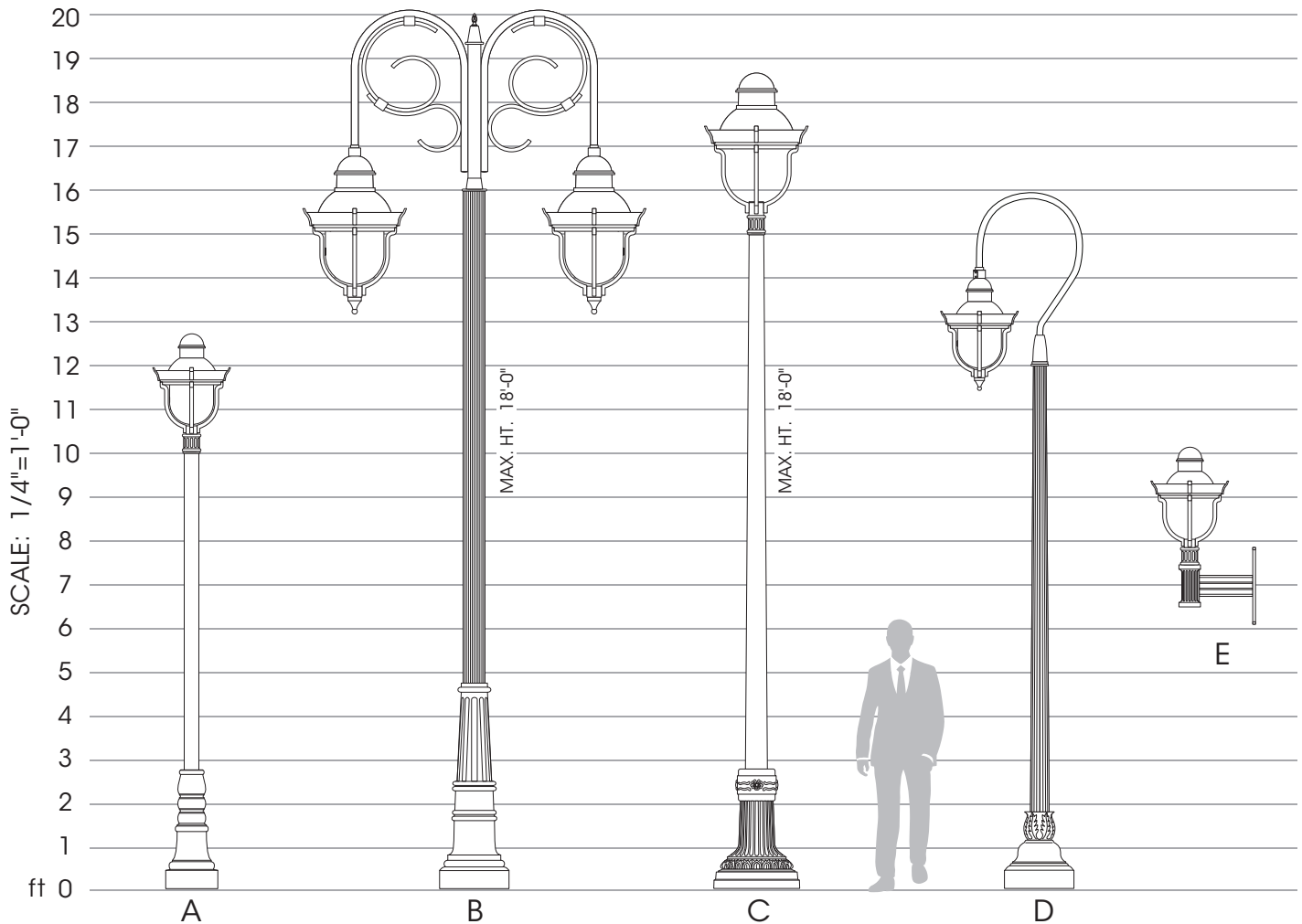
ORDERING INFORMATION

Spec/Order Example: SHW28-T/PLED-IV-FT/36LED-700mA/WW/277/3-120/RAL-9003-T/NL

Luminaire	Optics	LED Mode			Voltage	Mounting	Finish	Options
Luminaire	Optics	LED			Voltage	Mounting	Finish	Options
	PLED™ Distribution Type	# of LEDs	Drive Current	Color Temp - CCT		Arm Mount	Standard Textured Finish	Lens Options:
<input type="checkbox"/> SHW28-T	<input type="checkbox"/> PLED-II	<input type="checkbox"/> 80LED ¹	<input type="checkbox"/> 875mA ²	<input type="checkbox"/> 27K (2700K)	<input type="checkbox"/> 120	<input type="checkbox"/> 1	<input type="checkbox"/> Black RAL-9005-T	<input type="checkbox"/> Open Frame No Lens NL
<input type="checkbox"/> SHW21-T	<input type="checkbox"/> PLED-II-FR	<input type="checkbox"/> 48LED ¹	<input type="checkbox"/> 700mA ²	<input type="checkbox"/> 30K (3000K)	<input type="checkbox"/> 208	<input type="checkbox"/> 2-180	<input type="checkbox"/> White RAL-9003-T	<input type="checkbox"/> Clear Patterned Acrylic CPA
<input type="checkbox"/> SHW28-P	<input type="checkbox"/> PLED-III	<input type="checkbox"/> 36LED	<input type="checkbox"/> 525mA	<input type="checkbox"/> 40K (4000K)	<input type="checkbox"/> 240	<input type="checkbox"/> 2-90	<input type="checkbox"/> Grey RAL-7004-T	<input type="checkbox"/> White Patterned Acrylic WPA
<input type="checkbox"/> SHW21-P	<input type="checkbox"/> PLED-III-W	<input type="checkbox"/> 20LED	<input type="checkbox"/> 350mA	<input type="checkbox"/> 50K (5000K)	<input type="checkbox"/> 277	<input type="checkbox"/> 2-90	<input type="checkbox"/> Dark Bronze RAL-8019-T	<input type="checkbox"/> Stem Mount + Length(in) (48" Max) SM+L
	<input type="checkbox"/> PLED-IV			<input type="checkbox"/> TRA True Amber ²	<input type="checkbox"/> 347	<input type="checkbox"/> 3-90	<input type="checkbox"/> Green RAL-6005-T	<input type="checkbox"/> Chain Mount + Length(in) (48" Max) CM+L
	<input type="checkbox"/> PLED-IV-FT				<input type="checkbox"/> 480	<input type="checkbox"/> 3-120		<input type="checkbox"/> Internal House Side Shield inc. LED Count (Example: HS-PLED/48) HS-PLED
	<input type="checkbox"/> PLED-VSQ-N					<input type="checkbox"/> 4-90		<input type="checkbox"/> Twist Lock Receptable Only TPR
	<input type="checkbox"/> PLED-V-SQ-M					<input type="checkbox"/> Wall Mount		<input type="checkbox"/> 7-Pin Twist Lock Receptable Only TPR7
	<input type="checkbox"/> PLED-V-SQ-W					<input type="checkbox"/> Post Top		<input type="checkbox"/> High-Low Dimming for Switch by Others/Select Levels 50/100 or 25/100 (Example: HLSW/25) HLSW
	For WPA Lens Option: <input type="checkbox"/> PLED-ASY-W1						For smooth finish replace suffix "T" with suffix "S" (Example: RAL-9500-S)	<input type="checkbox"/> Photo Cell + Voltage (Example: PC120V) PC+V
	<input type="checkbox"/> PLED-ASY-W2 (Internal HS)						Consult factor for custom colors	<input type="checkbox"/> Single Fuse (120V, 277V) SF
	<input type="checkbox"/> PLED-ASY-N1							<input type="checkbox"/> Double Fuse (208V, 240V) DF
	<input type="checkbox"/> PLED-ASY-N2 (Internal HS)							<input type="checkbox"/> Blue-Tooth Programmable Photo/Motion Sensor (Factory - Motion 50/100; Photo 75fc) MS-F311
	<input type="checkbox"/> PLED-SYM							

SHW SERIES - LED

SAMPLE ASSEMBLIES

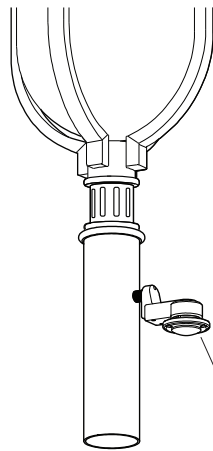


- A. 40-1040-10'-0"/PT/SHW21-T-CPA/LED/ACCESSORIES/FINISH
- B. 36SB-1080-16'/XPG-2-180/SHW28-P-WPA/LED/ACCESSORIES/FINISH
- C. 28-1046T-15'/PT/SHW28-T-NL/LED/ACCESSORIES/FINISH
- D. 2-1030C-12'/XPH/SHW21-P-CPA/LED/ACCESSORIES/FINISH
- E. WM-XAX/SHW21-T-NL/LED/ACCESSORIES/FINISH

Sample Assemblies show a small offering of the Sun Valley Line of Poles, Bases, Shafts, Arms, & Luminaires. Please visit usalgt.com for the full product offering.

SHW SERIES - LED

OPTIONS



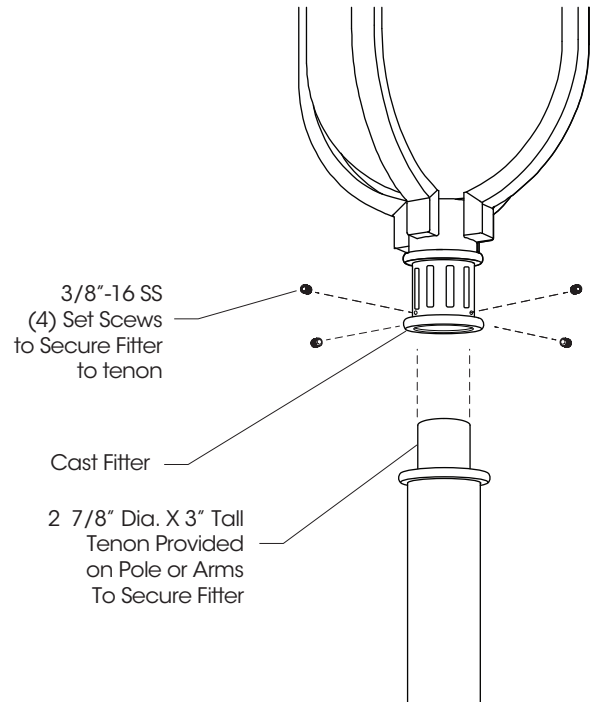
POLE MOUNTED MFS-311 BLUETOOTH PHOTO/MOTION SENSOR

Factory Settings:
No Motion - 50%
Motion - 100%
Delay - 15 min.
Photocell - 75fc

Sensors can be Field
Programmed With
Bluetooth App

Coupling Provided
on Pole to Secure
Motion Sensor.

INSTALLATION DETAIL



3/8"-16 SS
(4) Set Screws
to Secure Fitter
to tenon

Cast Fitter

2 7/8" Dia. X 3" Tall
Tenon Provided
on Pole or Arms
To Secure Fitter

High Low Dimming For Switches (HLSW)

The HLSW is a Small Electronic Switch which Provides High Low Dimming Control Through the LED Driver's 0-10V Control. Switching is Done by Adding a Secondary AC Switched Hot Trigger Line to the HLSW in Addition to the Normal AC Power Line. When the Secondary Trigger Line is Powered, the Fixture will go to 100% Dimming. With no Power to the Trigger, the Fixture will operate at 50% or 25% Dimming. Switches for the Trigger Line can be a Normal AC Switch/Breaker or Timed Switch/Breaker.

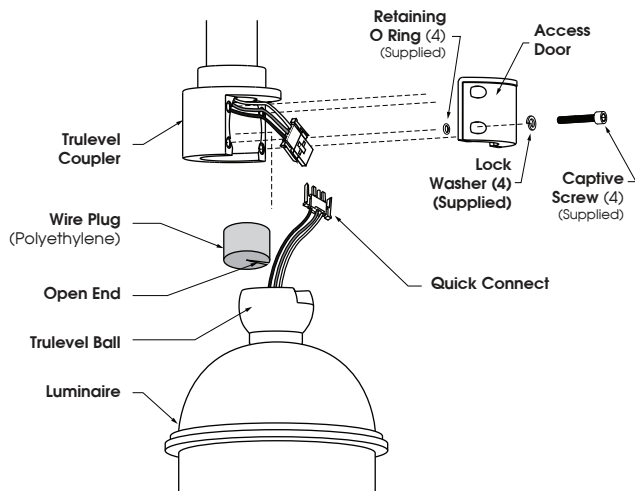
Wireless and Other Fixture Controls

Contact Factory for Wireless and Other Fixture Controls and Recommendations. Most Controls Can be Integrated and Factory Installed.

SHW SERIES - LED

INSTALLATION DETAIL

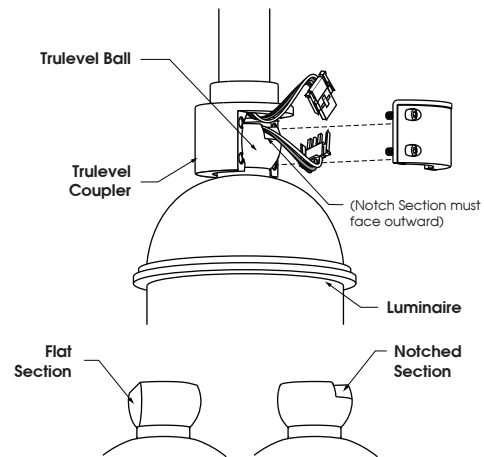
Trulevel System® Assembly for Installation of Pendant Mount Luminaires



1. Loosen (4) Captive Screws and remove Access Door from Trulevel Coupler, pull out Quick Connect from Trulevel Coupler and Trulevel Ball.

Press open end of Wire Plug around Quick Connect wires.

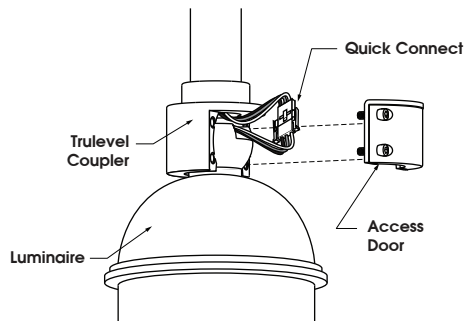
Slide Wire Plug down the wires and into Trulevel Ball opening, press Neoprene firmly into opening to prevent moisture and other contaminants from entering Luminaire Assembly.



2. Place Trulevel Ball inside of Trulevel Coupler as illustrated.

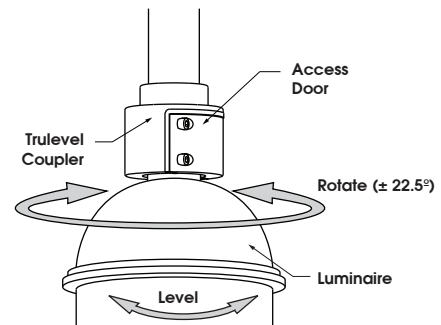
A - Notched Section of Trulevel Ball must face outward as illustrated.

B - Flat Section of Trulevel Ball must face inward.



3. Connect Quick Connect components, push components inside of Trulevel Coupler cavity, replace Access Door and loosely secure, do not tighten.

Fixture will suspend without Access Door during installation.



4. Rotate (left to right $\pm 22.5^\circ$) and level Luminaire to desired position. Tighten Access Door.

(Tighten each bolt to recommended torque: **10 ft-lb, foot-pound**)

Trulevel Pendant Mount is intended to allow for fixture leveling, but is not intended to be "free-swinging" upon proper installation.

SHW SERIES - LED

ELECTRICAL DATA GUIDE - AMPERAGE CHART

# of LED's	mA	System Watts	120V	208V	277V	347V	480V
20	350	22.0	0.18	0.11	0.08	0.06	0.05
20	525	33.0	0.28	0.16	0.12	0.10	0.07
20	700	44.0	0.37	0.21	0.16	0.13	0.09
20	875	55.0	0.46	0.26	0.20	0.16	0.11
36	350	39.6	0.33	0.19	0.14	0.11	0.08
36	525	59.4	0.50	0.29	0.21	0.17	0.12
36	700	79.2	0.66	0.38	0.29	0.23	0.17
36	875	99.0	0.83	0.48	0.36	0.29	0.21
48	350	52.8	0.44	0.25	0.19	0.15	0.11
48	525	79.2	0.66	0.38	0.29	0.23	0.17
48	700	105.6	0.88	0.51	0.38	0.30	0.22
48	875	132.0	1.10	0.63	0.48	0.38	0.28
80	350	88.0	0.73	0.42	0.32	0.25	0.18
80	525	132.0	1.10	0.63	0.48	0.38	0.28
80	700	174.0	1.45	0.84	0.63	0.50	0.36
80	875	220.0	1.83	1.06	0.79	0.63	0.46

PHOTOMETRIC DATA GUIDE - LM-80 LUMEN MAINTENANCE

LED Life / Operating Hours	Lumen Depreciation	Lumen Depreciation Scale Factor
60,000 (10x Test Time Calculated)	L94	0.94x
100,000 (Theoretical Calculated)	L92	0.92x
150,000 (Theoretical Calculated)	L89	0.89x

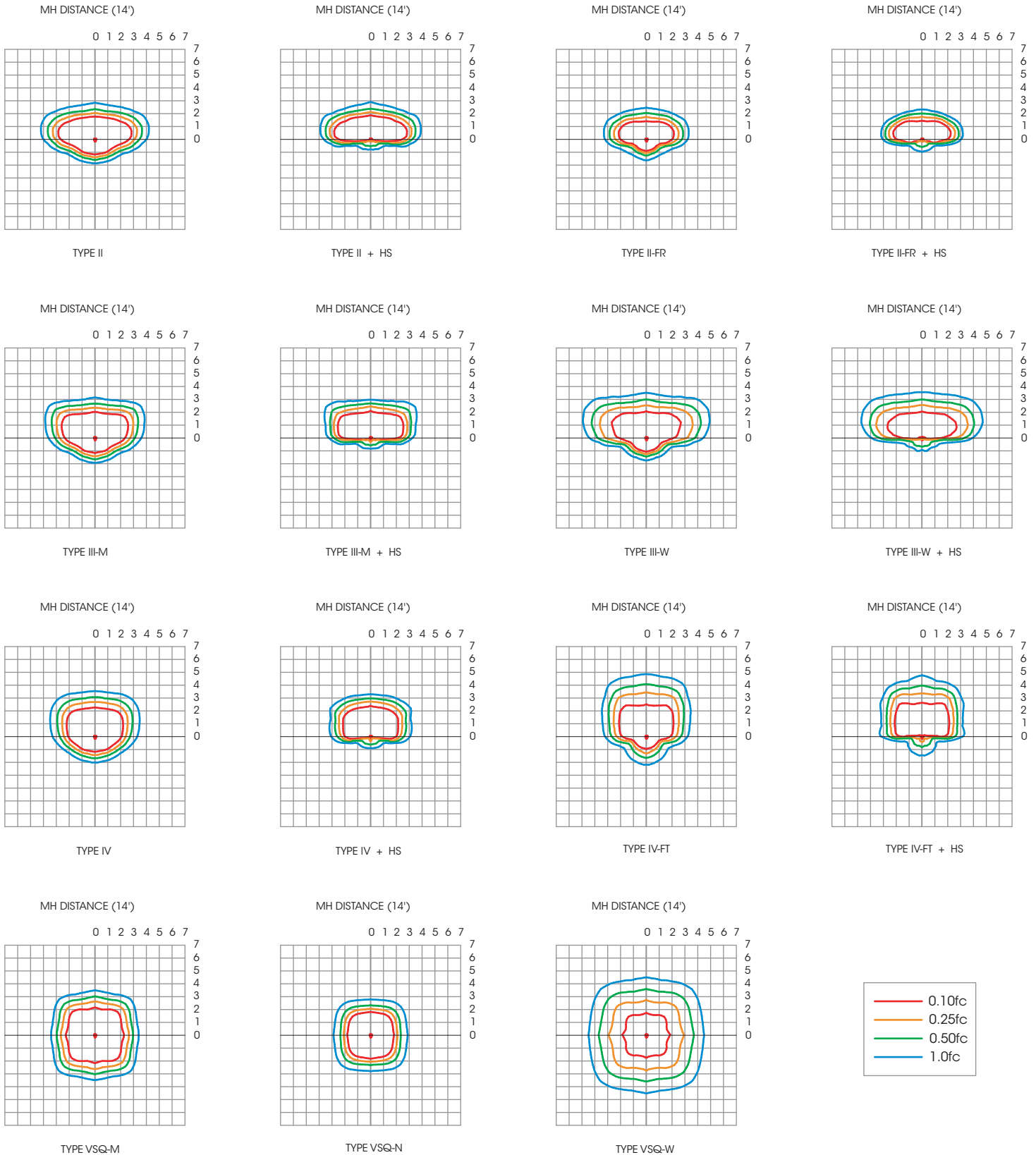
Lumen Depreciation Calculations Done in Accordance With IESNA TM-21 & LM-80 (25°C Ambient)

TM-21 6x Test Time Dictates that L94 > 60,000 Hours.

SHW SERIES - LED

PHOTOMETRIC DATA GUIDE - ISOFOOTCANDLE TEMPLATES

SHW21-PLED-NL-36LED-700mA-40K - 14' Pole Height

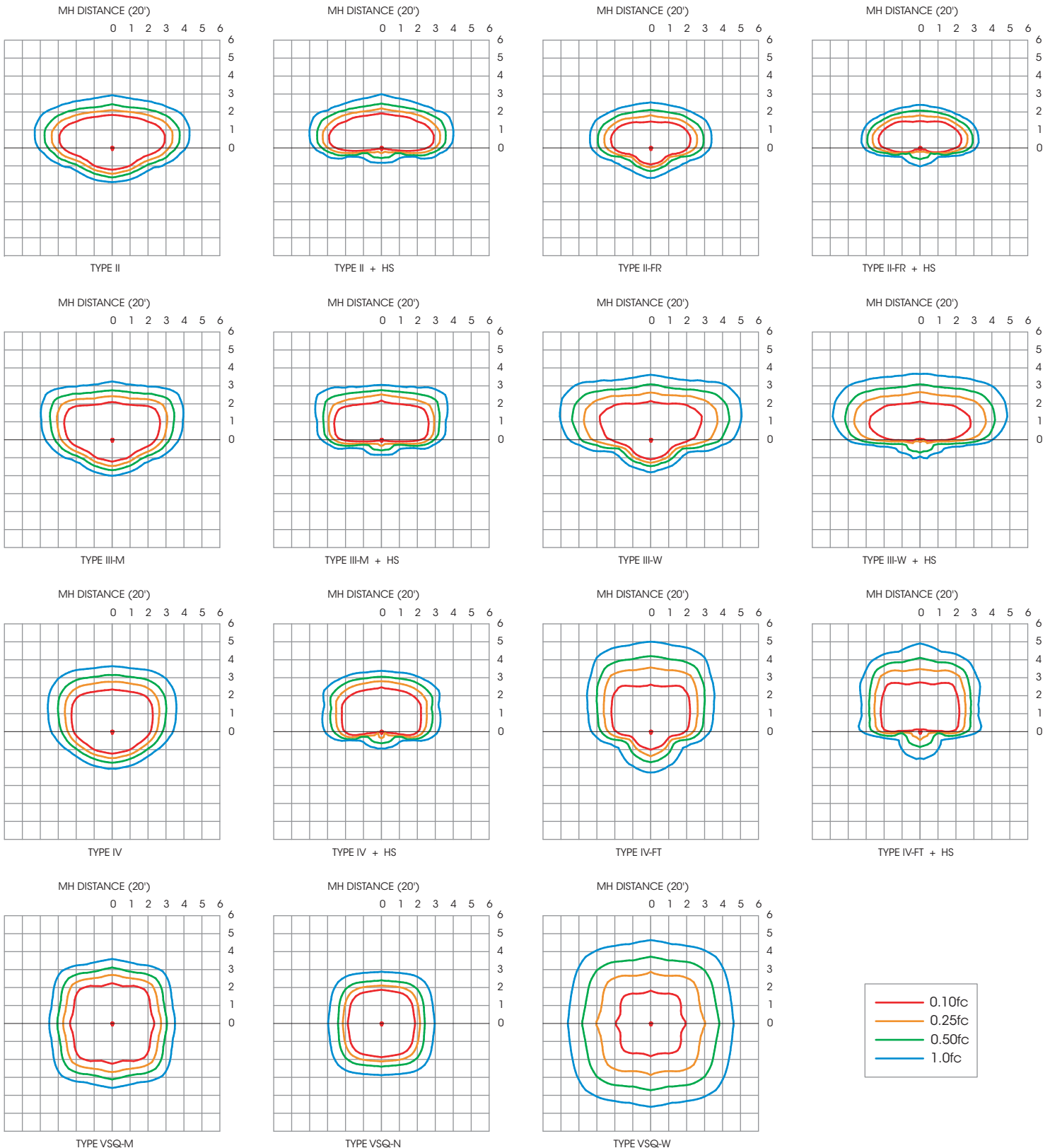


IES File downloads for this product can be found at www.usaltg.com/downloads/asr.html

SHW SERIES - LED

PHOTOMETRIC DATA GUIDE - ISOFOOTCANDLE TEMPLATES

SHW28-PLED-NL-80LED-700mA-40K - 20' Pole Height



IES File downloads for this product can be found at www.usaltg.com/downloads/asr.html

SHW SERIES - LED

PHOTOMETRIC DATA GUIDE - LUMEN TABLES (SHW21-PLD-NL)

SHW21-PLD-NL (NO LENS)																										
LED Count	Drive Current (mA)	System Watts	Dist'n Type	27K (2700K - 70CRI)			30K (3000K - 70CRI)			40K (4000K - 70CRI)			50K (5000K - 70CRI)			System Watts	TRA (590nm)									
				LUMENS	LPW	BUG RATING	LUMENS	LPW	BUG RATING	LUMENS	LPW	BUG RATING	LUMENS	LPW	BUG RATING		LUMENS	LPW	BUG RATING							
20	350	22.0	II	2337	106	B1-U0-G1	2523	115	B1-U0-G1	2656	121	B1-U0-G1	2789	127	B1-U0-G1	17.0	866	51	B0-U0-G0							
			II-FR	2322	106	B1-U0-G0	2507	114	B1-U0-G0	2639	120	B1-U0-G0	2771	126	B1-U0-G1		860	51	B0-U0-G0							
			III-M	2387	109	B1-U0-G1	2577	117	B1-U0-G1	2713	123	B1-U0-G1	2848	129	B1-U0-G1		884	52	B0-U0-G0							
			III-W	2198	100	B1-U0-G1	2373	108	B1-U0-G1	2498	114	B1-U0-G1	2623	119	B1-U0-G1		814	48	B0-U0-G1							
			IV	2381	108	B1-U0-G1	2570	117	B1-U0-G1	2706	123	B1-U0-G1	2841	129	B1-U0-G1		882	52	B0-U0-G0							
			IV-FT	2133	97	B1-U0-G1	2302	105	B1-U0-G1	2424	110	B1-U0-G1	2545	116	B1-U0-G1		790	46	B0-U0-G1							
			VSQ-N	2482	113	B1-U0-G0	2679	122	B1-U0-G0	2820	128	B1-U0-G0	2961	135	B1-U0-G0		919	54	B1-U0-G0							
			VSQ-M	2457	112	B2-U0-G1	2653	121	B2-U0-G1	2793	127	B2-U0-G1	2932	133	B2-U0-G1		910	54	B1-U0-G0							
			VSQ-W	2350	107	B2-U0-G1	2537	115	B2-U0-G1	2670	121	B2-U0-G1	2804	127	B2-U0-G1		870	51	B1-U0-G1							
			II-HS	1726	78	B0-U0-G0	1863	85	B0-U0-G1	1961	89	B0-U0-G1	2059	94	B0-U0-G1		639	38	B0-U0-G0							
			II-FR-HS	1746	79	B0-U0-G0	1885	86	B0-U0-G0	1984	90	B0-U0-G0	2082	95	B0-U0-G0		647	38	B0-U0-G0							
			III-M-HS	1757	80	B0-U0-G1	1896	86	B0-U0-G1	1996	91	B0-U0-G1	2096	95	B0-U0-G1		651	38	B0-U0-G0							
			III-W-HS	1705	77	B0-U0-G1	1840	84	B0-U0-G1	1937	88	B0-U0-G1	2034	92	B0-U0-G1		632	37	B0-U0-G1							
			IV-HS	1827	83	B0-U0-G1	1972	90	B0-U0-G1	2076	94	B0-U0-G1	2180	99	B0-U0-G1		677	40	B0-U0-G0							
			IV-FT-HS	1701	77	B0-U0-G1	1836	83	B0-U0-G1	1933	88	B0-U0-G1	2030	92	B0-U0-G1		630	37	B0-U0-G1							
			20	525	33.0	II	3366	102	B1-U0-G1	3633	110	B1-U0-G1	3825	116	B1-U0-G1		4016	122	B1-U0-G1	25.4	1017	40	B0-U0-G0			
						II-FR	3344	101	B1-U0-G1	3610	109	B1-U0-G1	3800	115	B1-U0-G1		3990	121	B1-U0-G1		1011	40	B0-U0-G0			
III-M	3437	104				B1-U0-G1	3711	112	B1-U0-G1	3906	118	B1-U0-G1	4101	124	B1-U0-G1	1039	41	B0-U0-G0								
III-W	3165	96				B1-U0-G1	3417	104	B1-U0-G1	3597	109	B1-U0-G1	3777	114	B1-U0-G1	957	38	B0-U0-G1								
IV	3428	104				B1-U0-G1	3701	112	B1-U0-G1	3896	118	B1-U0-G1	4090	124	B1-U0-G1	1036	41	B0-U0-G0								
IV-FT	3071	93				B1-U0-G1	3315	100	B1-U0-G1	3490	106	B1-U0-G1	3664	111	B1-U0-G1	928	37	B0-U0-G1								
VSQ-N	3574	108				B2-U0-G1	3858	117	B2-U0-G1	4061	123	B2-U0-G1	4264	129	B2-U0-G1	1080	43	B1-U0-G0								
VSQ-M	3539	107				B2-U0-G1	3820	116	B2-U0-G1	4021	122	B2-U0-G1	4222	128	B3-U0-G1	1070	42	B1-U0-G0								
VSQ-W	3384	103				B3-U0-G1	3653	111	B3-U0-G1	3846	117	B3-U0-G1	4038	122	B3-U0-G1	1023	40	B1-U0-G1								
II-HS	2485	75				B0-U0-G1	2682	81	B0-U0-G1	2824	86	B0-U0-G1	2965	90	B0-U0-G1	751	30	B0-U0-G0								
II-FR-HS	2514	76				B0-U0-G0	2713	82	B0-U0-G0	2856	87	B0-U0-G0	2999	91	B0-U0-G0	760	30	B0-U0-G0								
III-M-HS	2529	77				B0-U0-G1	2730	83	B0-U0-G1	2874	87	B0-U0-G1	3018	91	B0-U0-G1	765	30	B0-U0-G0								
III-W-HS	2455	74				B0-U0-G1	2650	80	B0-U0-G1	2790	85	B0-U0-G1	2930	89	B0-U0-G1	742	29	B0-U0-G1								
IV-HS	2631	80				B0-U0-G1	2840	86	B0-U0-G1	2990	91	B0-U0-G1	3139	95	B0-U0-G1	795	31	B0-U0-G0								
IV-FT-HS	2450	74				B0-U0-G1	2644	80	B0-U0-G1	2784	84	B0-U0-G1	2923	89	B0-U0-G1	741	29	B0-U0-G1								
20	700	44.0				II	4268	97	B1-U0-G1	4607	105	B1-U0-G1	4850	110	B1-U0-G1	5092	116	B1-U0-G1	N/A		N/A					
						II-FR	4240	96	B1-U0-G1	4578	104	B1-U0-G1	4818	110	B1-U0-G1	5059	115	B1-U0-G1								
			III-M	4359	99	B1-U0-G1	4705	107	B1-U0-G1	4953	113	B1-U0-G1	5201	118	B1-U0-G1											
			III-W	4014	91	B1-U0-G1	4333	98	B1-U0-G1	4561	104	B1-U0-G2	4789	109	B1-U0-G2											
			IV	4347	99	B1-U0-G1	4693	107	B1-U0-G1	4940	112	B1-U0-G1	5187	118	B1-U0-G1											
			IV-FT	3895	89	B1-U0-G1	4204	96	B1-U0-G2	4426	101	B1-U0-G2	4647	106	B1-U0-G2											
			VSQ-N	4532	103	B2-U0-G1	4892	111	B2-U0-G1	5150	117	B2-U0-G1	5408	123	B2-U0-G1											
			VSQ-M	4488	102	B3-U0-G1	4844	110	B3-U0-G1	5099	116	B3-U0-G1	5354	122	B3-U0-G1											
			VSQ-W	4291	98	B3-U0-G1	4633	105	B3-U0-G1	4876	111	B3-U0-G1	5120	116	B3-U0-G1											
			II-HS	3152	72	B0-U0-G1	3402	77	B0-U0-G1	3581	81	B0-U0-G1	3760	85	B1-U0-G1											
			II-FR-HS	3187	72	B0-U0-G0	3441	78	B0-U0-G0	3622	82	B0-U0-G0	3803	86	B0-U0-G0											
			III-M-HS	3208	73	B0-U0-G1	3463	79	B0-U0-G1	3645	83	B0-U0-G1	3827	87	B0-U0-G1											
			III-W-HS	3113	71	B0-U0-G1	3361	76	B0-U0-G1	3538	80	B0-U0-G1	3714	84	B0-U0-G2											
			IV-HS	3336	76	B0-U0-G1	3602	82	B0-U0-G1	3791	86	B0-U0-G1	3981	90	B0-U0-G1											
			IV-FT-HS	3106	71	B0-U0-G1	3353	76	B0-U0-G2	3530	80	B0-U0-G2	3706	84	B0-U0-G2											
			20	875	55.0	II	5002	91	B1-U0-G1	5400	98	B1-U0-G1	5684	103	B2-U0-G1	5968	109	B2-U0-G1		N/A				N/A		
						II-FR	4969	90	B1-U0-G1	5365	98	B1-U0-G1	5647	103	B1-U0-G1	5929	108	B1-U0-G1								
III-M	5109	93				B1-U0-G1	5515	100	B1-U0-G1	5805	106	B1-U0-G2	6095	111	B2-U0-G2											
III-W	4704	86				B1-U0-G2	5078	92	B1-U0-G2	5346	97	B1-U0-G2	5613	102	B1-U0-G2											
IV	5095	93				B1-U0-G1	5500	100	B1-U0-G1	5790	105	B1-U0-G2	6079	111	B2-U0-G2											
IV-FT	4564	83				B1-U0-G2	4927	90	B1-U0-G2	5187	94	B1-U0-G2	5446	99	B1-U0-G2											
VSQ-N	5312	97				B2-U0-G1	5734	104	B2-U0-G1	6036	110	B2-U0-G1	6337	115	B2-U0-G1											
VSQ-M	5259	96				B3-U0-G1	5678	103	B3-U0-G1	5977	109	B3-U0-G1	6275	114	B3-U0-G1											
VSQ-W	5029	91				B3-U0-G1	5429	99	B3-U0-G2	5715	104	B3-U0-G2	6001	109	B3-U0-G2											
II-HS	3693	67				B1-U0-G1	3987	72	B1-U0-G1	4197	76	B1-U0-G1	4406	80	B1-U0-G1											
II-FR-HS	3735	68				B0-U0-G0	4032	73	B0-U0-G1	4245	77	B0-U0-G1	4457	81	B0-U0-G1											
III-M-HS	3759	68				B0-U0-G1	4058	74	B0-U0-G1	4271	78	B0-U0-G2	4485	82	B0-U0-G2											
III-W-HS	3648	66				B0-U0-G2	3939	72	B0-U0-G2	4146	75	B0-U0-G2	4353	79	B0-U0-G2											
IV-HS	3910	71				B0-U0-G1	4221	77	B0-U0-G1	4443	81	B0-U0-G1	4665	85	B0-U0-G2											
IV-FT-HS	3640	66				B0-U0-G2	3930	71	B0-U0-G2	4137	75	B0-U0-G2	4343	79	B0-U0-G2											

IES File downloads for this product can be found at www.usalgt.com/downloads/asr.html

SHW SERIES - LED

PHOTOMETRIC DATA GUIDE - LUMEN TABLES (SHW21-PLD-NL)

SHW21-PLD-NL (NO LENS)																			
LED Count	Drive Current (mA)	System Watts	Dist'n Type	27K (2700K - 70CRI)			30K (3000K - 70CRI)			40K (4000K - 70CRI)			50K (5000K - 70CRI)			System Watts	TRA (590nm)		
				LUMENS	LPW	BUG RATING	LUMENS	LPW	BUG RATING	LUMENS	LPW	BUG RATING	LUMENS	LPW	BUG RATING		LUMENS	LPW	BUG RATING
36	350	39.6	II	4207	106	B1-U0-G1	4541	115	B1-U0-G1	4781	121	B1-U0-G1	5020	127	B1-U0-G1	30.5	1558	51	B1-U0-G0
			II-FR	4180	106	B1-U0-G1	4512	114	B1-U0-G1	4749	120	B1-U0-G1	4987	126	B1-U0-G1		1548	51	B1-U0-G0
			III-M	4297	109	B1-U0-G1	4638	117	B1-U0-G1	4883	123	B1-U0-G1	5126	129	B1-U0-G1		1592	52	B1-U0-G0
			III-W	3957	100	B1-U0-G1	4271	108	B1-U0-G1	4496	114	B1-U0-G2	4721	119	B1-U0-G2		1466	48	B0-U0-G1
			IV	4285	108	B1-U0-G1	4626	117	B1-U0-G1	4869	123	B1-U0-G1	5113	129	B1-U0-G1		1587	52	B1-U0-G1
			IV-FT	3839	97	B1-U0-G1	4144	105	B1-U0-G1	4362	110	B1-U0-G2	4580	116	B1-U0-G2		1422	47	B0-U0-G1
			VSQ-N	4467	113	B2-U0-G1	4822	122	B2-U0-G1	5076	128	B2-U0-G1	5330	135	B2-U0-G1		1655	54	B1-U0-G0
			VSQ-M	4423	112	B3-U0-G1	4775	121	B3-U0-G1	5026	127	B3-U0-G1	5278	133	B3-U0-G1		1639	54	B1-U0-G0
			VSQ-W	4230	107	B3-U0-G1	4566	115	B3-U0-G1	4806	121	B3-U0-G1	5047	127	B3-U0-G1		1567	51	B1-U0-G1
			II-HS	3106	78	B0-U0-G1	3353	85	B0-U0-G1	3530	89	B0-U0-G1	3706	94	B1-U0-G1		1151	38	B0-U0-G0
			II-FR-HS	3142	79	B0-U0-G0	3391	86	B0-U0-G0	3570	90	B0-U0-G0	3748	95	B0-U0-G0		1164	38	B0-U0-G0
			III-M-HS	3162	80	B0-U0-G1	3413	86	B0-U0-G1	3593	91	B0-U0-G1	3772	95	B0-U0-G1		1171	38	B0-U0-G0
			III-W-HS	3069	77	B0-U0-G1	3313	84	B0-U0-G1	3487	88	B0-U0-G1	3661	92	B0-U0-G2		1137	37	B0-U0-G1
			IV-HS	3289	83	B0-U0-G1	3550	90	B0-U0-G1	3737	94	B0-U0-G1	3924	99	B0-U0-G1		1219	40	B0-U0-G0
			IV-FT-HS	3062	77	B0-U0-G1	3305	83	B0-U0-G2	3479	88	B0-U0-G2	3653	92	B0-U0-G2		1134	37	B0-U0-G1
			36	525	59.4	II	6058	102	B2-U0-G1	6540	110	B2-U0-G2	6884	116	B2-U0-G2		7228	122	B2-U0-G2
II-FR	6019	101				B1-U0-G1	6497	109	B2-U0-G1	6839	115	B2-U0-G1	7181	121	B2-U0-G1	1819	40	B1-U0-G0	
III-M	6187	104				B2-U0-G2	6679	112	B2-U0-G2	7031	118	B2-U0-G2	7382	124	B2-U0-G2	1870	41	B1-U0-G1	
III-W	5698	96				B1-U0-G2	6151	104	B1-U0-G2	6474	109	B1-U0-G2	6798	114	B1-U0-G2	1722	38	B0-U0-G1	
IV	6171	104				B2-U0-G2	6661	112	B2-U0-G2	7012	118	B2-U0-G2	7362	124	B2-U0-G2	1865	41	B1-U0-G1	
IV-FT	5528	93				B1-U0-G2	5967	100	B1-U0-G2	6282	106	B1-U0-G2	6596	111	B1-U0-G2	1671	37	B0-U0-G1	
VSQ-N	6433	108				B2-U0-G1	6944	117	B2-U0-G1	7310	123	B2-U0-G1	7675	129	B2-U0-G1	1944	43	B1-U0-G0	
VSQ-M	6370	107				B3-U0-G1	6876	116	B3-U0-G1	7238	122	B3-U0-G1	7600	128	B3-U0-G2	1925	42	B1-U0-G0	
VSQ-W	6091	103				B3-U0-G2	6576	111	B3-U0-G2	6922	117	B3-U0-G2	7268	122	B3-U0-G2	1841	40	B2-U0-G1	
II-HS	4473	75				B1-U0-G1	4829	81	B1-U0-G2	5083	86	B1-U0-G2	5337	90	B1-U0-G2	1352	30	B0-U0-G0	
II-FR-HS	4524	76				B0-U0-G1	4884	82	B0-U0-G1	5141	87	B1-U0-G1	5398	91	B1-U0-G1	1368	30	B0-U0-G0	
III-M-HS	4553	77				B0-U0-G2	4915	83	B0-U0-G2	5173	87	B0-U0-G2	5432	91	B0-U0-G2	1376	30	B0-U0-G0	
III-W-HS	4419	74				B0-U0-G2	4770	80	B0-U0-G2	5021	85	B0-U0-G2	5272	89	B0-U0-G2	1336	29	B0-U0-G1	
IV-HS	4735	80				B0-U0-G2	5112	86	B0-U0-G2	5381	91	B0-U0-G2	5650	95	B0-U0-G2	1431	31	B0-U0-G0	
IV-FT-HS	4409	74				B0-U0-G2	4759	80	B0-U0-G2	5010	84	B0-U0-G2	5261	89	B1-U0-G2	1333	29	B0-U0-G1	
36	700	79.2				II	7682	97	B2-U0-G2	8293	105	B2-U0-G2	8729	110	B2-U0-G2	9166	116	B2-U0-G2	N/A
			II-FR	7632	96	B2-U0-G1	8239	104	B2-U0-G1	8673	110	B2-U0-G1	9106	115	B2-U0-G1				
			III-M	7846	99	B2-U0-G2	8469	107	B2-U0-G2	8915	113	B2-U0-G2	9361	118	B2-U0-G2				
			III-W	7224	91	B1-U0-G2	7799	98	B1-U0-G2	8210	104	B2-U0-G2	8620	109	B2-U0-G2				
			IV	7825	99	B2-U0-G2	8447	107	B2-U0-G2	8892	112	B2-U0-G2	9336	118	B2-U0-G2				
			IV-FT	7010	89	B1-U0-G2	7567	96	B1-U0-G2	7966	101	B1-U0-G2	8364	106	B2-U0-G2				
			VSQ-N	8157	103	B3-U0-G1	8805	111	B3-U0-G1	9269	117	B3-U0-G1	9733	123	B3-U0-G1				
			VSQ-M	8077	102	B3-U0-G2	8719	110	B3-U0-G2	9178	116	B3-U0-G2	9637	122	B3-U0-G2				
			VSQ-W	7724	98	B3-U0-G2	8338	105	B3-U0-G2	8777	111	B4-U0-G2	9216	116	B4-U0-G2				
			II-HS	5672	72	B1-U0-G2	6123	77	B1-U0-G2	6445	81	B1-U0-G2	6767	85	B1-U0-G2				
			II-FR-HS	5737	72	B1-U0-G1	6193	78	B1-U0-G1	6519	82	B1-U0-G1	6845	86	B1-U0-G1				
			III-M-HS	5773	73	B1-U0-G2	6232	79	B1-U0-G2	6560	83	B1-U0-G2	6888	87	B1-U0-G2				
			III-W-HS	5603	71	B0-U0-G2	6049	76	B1-U0-G2	6367	80	B1-U0-G2	6685	84	B1-U0-G2				
			IV-HS	6005	76	B1-U0-G2	6482	82	B1-U0-G2	6824	86	B1-U0-G2	7165	90	B1-U0-G2				
			IV-FT-HS	5591	71	B1-U0-G2	6035	76	B1-U0-G2	6353	80	B1-U0-G2	6671	84	B1-U0-G2				
			36	875	99.0	II	9003	91	B2-U0-G2	9719	98	B2-U0-G2	10230	103	B2-U0-G2	10742	109	B2-U0-G2	
II-FR	8944	90				B2-U0-G1	9656	98	B2-U0-G1	10164	103	B2-U0-G1	10672	108	B2-U0-G1				
III-M	9195	93				B2-U0-G2	9926	100	B2-U0-G2	10449	106	B2-U0-G2	10971	111	B2-U0-G2				
III-W	8467	86				B2-U0-G2	9141	92	B2-U0-G2	9622	97	B2-U0-G2	10103	102	B2-U0-G2				
IV	9170	93				B2-U0-G2	9899	100	B2-U0-G2	10421	105	B2-U0-G2	10941	111	B2-U0-G2				
IV-FT	8215	83				B1-U0-G2	8868	90	B2-U0-G2	9335	94	B2-U0-G2	9802	99	B2-U0-G2				
VSQ-N	9560	97				B3-U0-G1	10320	104	B3-U0-G1	10864	110	B3-U0-G1	11407	115	B3-U0-G1				
VSQ-M	9466	96				B3-U0-G2	10219	103	B3-U0-G2	10757	109	B4-U0-G2	11295	114	B4-U0-G2				
VSQ-W	9052	91				B4-U0-G2	9772	99	B4-U0-G2	10287	104	B4-U0-G2	10801	109	B4-U0-G2				
II-HS	6647	67				B1-U0-G2	7175	72	B1-U0-G2	7553	76	B1-U0-G2	7931	80	B1-U0-G2				
II-FR-HS	6724	68				B1-U0-G1	7258	73	B1-U0-G1	7640	77	B1-U0-G1	8022	81	B1-U0-G1				
III-M-HS	6766	68				B1-U0-G2	7303	74	B1-U0-G2	7688	78	B1-U0-G2	8072	82	B1-U0-G2				
III-W-HS	6567	66				B1-U0-G2	7089	72	B1-U0-G2	7462	75	B1-U0-G2	7835	79	B1-U0-G2				
IV-HS	7038	71				B1-U0-G2	7597	77	B1-U0-G2	7997	81	B1-U0-G2	8397	85	B1-U0-G2				
IV-FT-HS	6552	66				B1-U0-G2	7073	71	B1-U0-G2	7446	75	B1-U0-G2	7818	79	B1-U0-G2				

IES File downloads for this product can be found at www.usaltg.com/downloads/asr.html

SHW SERIES - LED

PHOTOMETRIC DATA GUIDE - LUMEN TABLES (SHW21-PLD-NL)

SHW21-PLD-NL (NO LENS)																			
LED Count	Drive Current (mA)	System Watts	Dist'n Type	27K (2700K - 70CRI)			30K (3000K - 70CRI)			40K (4000K - 70CRI)			50K (5000K - 70CRI)			System Watts	TRA (590nm)		
				LUMENS	LPW	BUG RATING	LUMENS	LPW	BUG RATING	LUMENS	LPW	BUG RATING	LUMENS	LPW	BUG RATING		LUMENS	LPW	BUG RATING
48	350	52.8	II	5160	98	B1-U0-G1	5571	106	B1-U0-G1	5864	111	B2-U0-G1	6157	117	B2-U0-G1	40.7	1912	47	B1-U0-G1
			II-FR	5127	97	B1-U0-G1	5535	105	B1-U0-G1	5826	110	B1-U0-G1	6117	116	B1-U0-G1		1899	47	B1-U0-G0
			III-M	5270	100	B1-U0-G1	5690	108	B1-U0-G2	5989	113	B1-U0-G2	6289	119	B2-U0-G2		1953	48	B1-U0-G1
			III-W	4853	92	B1-U0-G2	5239	99	B1-U0-G2	5515	104	B1-U0-G2	5791	110	B1-U0-G2		1798	44	B0-U0-G1
			IV	5256	100	B1-U0-G1	5674	107	B1-U0-G1	5973	113	B2-U0-G2	6272	119	B2-U0-G2		1947	48	B1-U0-G1
			IV-FT	4709	89	B1-U0-G2	5083	96	B1-U0-G2	5351	101	B1-U0-G2	5619	106	B1-U0-G2		1744	43	B0-U0-G1
			VSQ-N	5480	104	B2-U0-G1	5915	112	B2-U0-G1	6227	118	B2-U0-G1	6538	124	B2-U0-G1		2030	50	B1-U0-G0
			VSQ-M	5426	103	B3-U0-G1	5857	111	B3-U0-G1	6166	117	B3-U0-G1	6474	123	B3-U0-G1		2010	49	B1-U0-G0
			VSQ-W	5189	98	B3-U0-G1	5601	106	B3-U0-G2	5896	112	B3-U0-G2	6191	117	B3-U0-G2		1922	47	B2-U0-G1
			II-HS	3810	72	B1-U0-G1	4113	78	B1-U0-G1	4330	82	B1-U0-G1	4546	86	B1-U0-G1		1411	35	B0-U0-G0
			II-FR-HS	3854	73	B0-U0-G1	4160	79	B0-U0-G1	4379	83	B0-U0-G1	4598	87	B0-U0-G1		1427	35	B0-U0-G0
			III-M-HS	3878	73	B0-U0-G1	4186	79	B0-U0-G2	4407	83	B0-U0-G2	4627	88	B0-U0-G2		1436	35	B0-U0-G0
			III-W-HS	3764	71	B0-U0-G2	4064	77	B0-U0-G2	4278	81	B0-U0-G2	4491	85	B0-U0-G2		1394	34	B0-U0-G1
			IV-HS	4034	76	B0-U0-G1	4355	82	B0-U0-G1	4584	87	B0-U0-G2	4813	91	B0-U0-G2		1494	37	B0-U0-G0
			IV-FT-HS	3756	71	B0-U0-G2	4054	77	B0-U0-G2	4268	81	B0-U0-G2	4481	85	B0-U0-G2		1391	34	B0-U0-G1
			48	525	79.2	II	7431	94	B2-U0-G2	8022	101	B2-U0-G2	8444	107	B2-U0-G2		8867	112	B2-U0-G2
II-FR	7383	93				B2-U0-G1	7970	101	B2-U0-G1	8390	106	B2-U0-G1	8809	111	B2-U0-G1	2232	37	B1-U0-G0	
III-M	7589	96				B2-U0-G2	8193	103	B2-U0-G2	8624	109	B2-U0-G2	9056	114	B2-U0-G2	2294	38	B1-U0-G1	
III-W	6989	88				B1-U0-G2	7545	95	B1-U0-G2	7942	100	B1-U0-G2	8339	105	B2-U0-G2	2113	35	B1-U0-G1	
IV	7569	96				B2-U0-G2	8171	103	B2-U0-G2	8601	109	B2-U0-G2	9031	114	B2-U0-G2	2288	38	B1-U0-G1	
IV-FT	6781	86				B1-U0-G2	7320	92	B1-U0-G2	7706	97	B1-U0-G2	8091	102	B1-U0-G2	2050	34	B1-U0-G1	
VSQ-N	7891	100				B3-U0-G1	8519	108	B3-U0-G1	8967	113	B3-U0-G1	9415	119	B3-U0-G1	2385	39	B1-U0-G0	
VSQ-M	7813	99				B3-U0-G2	8435	107	B3-U0-G2	8879	112	B3-U0-G2	9323	118	B3-U0-G2	2362	39	B2-U0-G1	
VSQ-W	7472	94				B3-U0-G2	8066	102	B3-U0-G2	8491	107	B4-U0-G2	8915	113	B4-U0-G2	2258	37	B2-U0-G1	
II-HS	5487	69				B1-U0-G2	5923	75	B1-U0-G2	6235	79	B1-U0-G2	6547	83	B1-U0-G2	1658	27	B0-U0-G0	
II-FR-HS	5550	70				B1-U0-G1	5991	76	B1-U0-G1	6306	80	B1-U0-G1	6622	84	B1-U0-G1	1677	27	B0-U0-G0	
III-M-HS	5585	71				B0-U0-G2	6029	76	B1-U0-G2	6346	80	B1-U0-G2	6663	84	B1-U0-G2	1688	28	B0-U0-G1	
III-W-HS	5420	68				B0-U0-G2	5852	74	B1-U0-G2	6160	78	B1-U0-G2	6467	82	B1-U0-G2	1638	27	B0-U0-G1	
IV-HS	5809	73				B1-U0-G2	6271	79	B1-U0-G2	6601	83	B1-U0-G2	6931	88	B1-U0-G2	1756	29	B0-U0-G1	
IV-FT-HS	5408	68				B1-U0-G2	5838	74	B1-U0-G2	6146	78	B1-U0-G2	6453	81	B1-U0-G2	1635	27	B0-U0-G1	
48	700	105.6				II	9423	89	B2-U0-G2	10172	96	B2-U0-G2	10708	101	B2-U0-G2	11243	106	B2-U0-G2	N/A
			II-FR	9362	89	B2-U0-G1	10106	96	B2-U0-G1	10638	101	B2-U0-G1	11170	106	B2-U0-G1				
			III-M	9624	91	B2-U0-G2	10389	98	B2-U0-G2	10936	104	B2-U0-G2	11483	109	B2-U0-G2				
			III-W	8862	84	B2-U0-G2	9567	91	B2-U0-G2	10071	95	B2-U0-G2	10574	100	B2-U0-G2				
			IV	9598	91	B2-U0-G2	10361	98	B2-U0-G2	10907	103	B2-U0-G2	11452	108	B2-U0-G2				
			IV-FT	8599	81	B2-U0-G2	9283	88	B2-U0-G2	9771	93	B2-U0-G2	10259	97	B2-U0-G2				
			VSQ-N	10006	95	B3-U0-G1	10802	102	B3-U0-G1	11371	108	B3-U0-G1	11939	113	B3-U0-G1				
			VSQ-M	9908	94	B3-U0-G2	10696	101	B4-U0-G2	11259	107	B4-U0-G2	11822	112	B4-U0-G2				
			VSQ-W	9474	90	B4-U0-G2	10228	97	B4-U0-G2	10766	102	B4-U0-G2	11304	107	B4-U0-G2				
			II-HS	6957	66	B1-U0-G2	7511	71	B1-U0-G2	7906	75	B1-U0-G2	8301	79	B1-U0-G2				
			II-FR-HS	7037	67	B1-U0-G1	7597	72	B1-U0-G1	7997	76	B1-U0-G1	8397	80	B1-U0-G1				
			III-M-HS	7081	67	B1-U0-G2	7645	72	B1-U0-G2	8047	76	B1-U0-G2	8449	80	B1-U0-G2				
			III-W-HS	6873	65	B1-U0-G2	7420	70	B1-U0-G2	7811	74	B1-U0-G2	8201	78	B1-U0-G2				
			IV-HS	7366	70	B1-U0-G2	7952	75	B1-U0-G2	8370	79	B1-U0-G2	8789	83	B1-U0-G2				
			IV-FT-HS	6858	65	B1-U0-G2	7403	70	B1-U0-G2	7793	74	B1-U0-G2	8183	77	B1-U0-G2				
			48	875	132.0	II	11044	84	B2-U0-G2	11922	90	B2-U0-G2	12549	95	B2-U0-G2	13177	100	B2-U0-G2	
II-FR	10972	83				B2-U0-G1	11844	90	B2-U0-G1	12468	94	B2-U0-G1	13091	99	B3-U0-G1				
III-M	11279	85				B2-U0-G2	12176	92	B2-U0-G2	12817	97	B2-U0-G2	13457	102	B2-U0-G2				
III-W	10386	79				B2-U0-G2	11212	85	B2-U0-G2	11803	89	B2-U0-G3	12392	94	B2-U0-G3				
IV	11249	85				B2-U0-G2	12143	92	B2-U0-G2	12783	97	B2-U0-G2	13422	102	B2-U0-G2				
IV-FT	10077	76				B2-U0-G2	10879	82	B2-U0-G3	11451	87	B2-U0-G3	12024	91	B2-U0-G3				
VSQ-N	11727	89				B3-U0-G1	12660	96	B3-U0-G1	13326	101	B3-U0-G1	13992	106	B3-U0-G1				
VSQ-M	11612	88				B4-U0-G2	12535	95	B4-U0-G2	13195	100	B4-U0-G2	13855	105	B4-U0-G2				
VSQ-W	11104	84				B4-U0-G2	11987	91	B4-U0-G3	12618	96	B4-U0-G3	13249	100	B4-U0-G3				
II-HS	8154	62				B1-U0-G2	8802	67	B1-U0-G2	9266	70	B1-U0-G2	9729	74	B1-U0-G2				
II-FR-HS	8248	62				B1-U0-G1	8904	67	B1-U0-G1	9372	71	B1-U0-G1	9840	75	B1-U0-G1				
III-M-HS	8299	63				B1-U0-G2	8959	68	B1-U0-G2	9431	71	B1-U0-G2	9902	75	B1-U0-G2				
III-W-HS	8055	61				B1-U0-G2	8696	66	B1-U0-G2	9154	69	B1-U0-G2	9611	73	B1-U0-G2				
IV-HS	8633	65				B1-U0-G2	9319	71	B1-U0-G2	9810	74	B1-U0-G2	10300	78	B1-U0-G2				
IV-FT-HS	8037	61				B1-U0-G2	8676	66	B1-U0-G2	9133	69	B1-U0-G2	9590	73	B1-U0-G3				

IES File downloads for this product can be found at www.usaltg.com/downloads/asr.html

SHW SERIES - LED

PHOTOMETRIC DATA GUIDE - LUMEN TABLES (SHW21-PLED-CPA)

SHW21-PLED-CPA																			
LED Count	Drive Current (mA)	System Watts	Dist'n Type	27K (2700K - 70CRI)			30K (3000K - 70CRI)			40K (4000K - 70CRI)			50K (5000K - 70CRI)			System Watts	TRA (590nm)		
				LUMENS	LPW	BUG RATING	LUMENS	LPW	BUG RATING	LUMENS	LPW	BUG RATING	LUMENS	LPW	BUG RATING		LUMENS	LPW	BUG RATING
20	350	22.0	II	2174	99	B1-U3-G1	2347	107	B1-U3-G1	2470	112	B1-U3-G1	2593	118	B1-U3-G1	17.0	805	47	B0-U2-G1
			II-FR	2157	98	B1-U3-G1	2328	106	B1-U3-G1	2451	111	B1-U3-G1	2573	117	B1-U3-G1		799	47	B0-U2-G0
			III-M	2224	101	B1-U3-G1	2401	109	B1-U3-G1	2527	115	B1-U3-G1	2653	121	B1-U3-G1		824	48	B0-U2-G1
			III-W	2049	93	B1-U3-G1	2212	101	B1-U3-G1	2328	106	B1-U3-G1	2445	111	B1-U3-G1		759	45	B0-U2-G1
			IV	2217	101	B1-U3-G1	2393	109	B1-U3-G1	2519	115	B1-U3-G1	2645	120	B1-U3-G1		821	48	B0-U2-G1
			IV-FT	1990	90	B1-U2-G1	2148	98	B1-U3-G1	2261	103	B1-U3-G1	2374	108	B1-U3-G1		737	43	B0-U2-G1
			VSQ-N	2308	105	B1-U3-G1	2491	113	B1-U3-G1	2622	119	B1-U3-G1	2753	125	B1-U3-G1		854	50	B1-U2-G0
			VSQ-M	2291	104	B2-U3-G1	2474	112	B2-U3-G1	2604	118	B2-U3-G1	2734	124	B2-U3-G1		848	50	B1-U2-G1
			VSQ-W	2195	100	B2-U2-G1	2370	108	B2-U2-G1	2494	113	B2-U2-G1	2619	119	B2-U2-G1		814	48	B1-U2-G1
			II-HS	1607	73	B0-U2-G1	1734	79	B0-U2-G1	1826	83	B0-U2-G1	1917	87	B0-U2-G1		595	35	B0-U2-G0
			II-FR-HS	1623	74	B0-U3-G1	1752	80	B0-U3-G1	1844	84	B0-U3-G1	1936	88	B0-U3-G1		602	35	B0-U2-G0
			III-M-HS	1635	74	B0-U2-G1	1765	80	B0-U2-G1	1858	84	B0-U2-G1	1951	89	B0-U2-G1		606	36	B0-U2-G0
			III-W-HS	1590	72	B0-U2-G1	1716	78	B0-U2-G1	1807	82	B0-U2-G1	1897	86	B0-U2-G1		589	35	B0-U2-G1
			IV-HS	1701	77	B0-U2-G1	1836	83	B0-U2-G1	1932	88	B0-U2-G1	2029	92	B0-U2-G1		630	37	B0-U2-G0
			IV-FT-HS	1585	72	B0-U2-G1	1712	78	B0-U2-G1	1802	82	B0-U2-G1	1891	86	B0-U2-G1		588	35	B0-U2-G1
			20	525	33.0	II	3130	95	B1-U3-G1	3379	102	B1-U3-G1	3557	108	B1-U3-G1		3735	113	B1-U3-G1
II-FR	3106	94				B1-U3-G1	3353	102	B1-U3-G1	3529	107	B1-U3-G1	3706	112	B1-U3-G1	939	37	B0-U2-G1	
III-M	3202	97				B1-U3-G1	3457	105	B1-U3-G1	3639	110	B1-U3-G1	3821	116	B1-U3-G1	967	38	B0-U2-G1	
III-W	2950	89				B1-U3-G2	3185	97	B1-U3-G2	3352	102	B1-U3-G2	3520	107	B1-U3-G2	891	35	B0-U2-G1	
IV	3192	97				B1-U3-G1	3446	104	B1-U3-G1	3628	110	B1-U3-G1	3809	115	B1-U3-G1	965	38	B0-U2-G1	
IV-FT	2865	87				B1-U3-G2	3093	94	B1-U3-G2	3256	99	B1-U3-G2	3418	104	B1-U3-G2	866	34	B0-U2-G1	
VSQ-N	3323	101				B1-U3-G1	3588	109	B2-U3-G1	3776	114	B2-U3-G1	3965	120	B2-U3-G1	1004	40	B1-U2-G1	
VSQ-M	3299	100				B2-U3-G1	3561	108	B2-U3-G1	3749	114	B2-U3-G1	3936	119	B2-U3-G1	997	39	B1-U2-G1	
VSQ-W	3163	96				B2-U3-G2	3414	103	B2-U3-G2	3594	109	B2-U3-G2	3773	114	B3-U3-G2	956	38	B1-U2-G1	
II-HS	2313	70				B0-U3-G1	2497	76	B1-U3-G1	2629	80	B1-U3-G1	2760	84	B1-U3-G1	699	28	B0-U2-G0	
II-FR-HS	2337	71				B0-U3-G1	2523	76	B0-U3-G1	2656	80	B0-U3-G1	2789	85	B0-U3-G1	706	28	B0-U2-G0	
III-M-HS	2355	71				B0-U3-G1	2542	77	B0-U3-G1	2676	81	B0-U3-G1	2809	85	B0-U3-G1	712	28	B0-U2-G1	
III-W-HS	2289	69				B0-U2-G1	2471	75	B0-U2-G1	2601	79	B0-U3-G1	2731	83	B1-U3-G1	692	27	B0-U2-G1	
IV-HS	2449	74				B0-U3-G1	2643	80	B0-U3-G1	2782	84	B0-U3-G1	2921	89	B0-U3-G1	740	29	B0-U2-G0	
IV-FT-HS	2284	69				B0-U2-G1	2465	75	B0-U2-G1	2595	79	B1-U2-G1	2724	83	B1-U3-G1	690	27	B0-U2-G1	
20	700	44.0				II	3969	90	B1-U3-G1	4285	97	B1-U3-G1	4511	103	B1-U3-G1	4736	108	B1-U3-G1	N/A
			II-FR	3939	90	B1-U3-G1	4252	97	B1-U3-G1	4476	102	B1-U3-G1	4699	107	B1-U3-G1				
			III-M	4061	92	B1-U3-G1	4384	100	B1-U3-G1	4615	105	B1-U3-G1	4845	110	B1-U3-G1				
			III-W	3741	85	B1-U3-G2	4038	92	B1-U3-G2	4251	97	B1-U3-G2	4464	101	B1-U3-G2				
			IV	4048	92	B1-U3-G1	4370	99	B1-U3-G1	4600	105	B1-U3-G1	4830	110	B1-U3-G1				
			IV-FT	3632	83	B1-U3-G2	3921	89	B1-U3-G2	4127	94	B1-U3-G2	4334	98	B1-U3-G2				
			VSQ-N	4213	96	B2-U3-G1	4548	103	B2-U3-G1	4787	109	B2-U3-G1	5027	114	B2-U3-G1				
			VSQ-M	4183	95	B2-U3-G1	4516	103	B3-U3-G1	4754	108	B3-U3-G1	4992	113	B3-U3-G1				
			VSQ-W	4010	91	B3-U3-G2	4329	98	B3-U3-G2	4557	104	B3-U3-G2	4785	109	B3-U3-G2				
			II-HS	2933	67	B1-U3-G1	3166	72	B1-U3-G1	3333	76	B1-U3-G1	3499	80	B1-U3-G1				
			II-FR-HS	2964	67	B0-U3-G1	3200	73	B0-U3-G1	3368	77	B1-U3-G1	3536	80	B1-U3-G1				
			III-M-HS	2985	68	B1-U3-G1	3222	73	B1-U3-G1	3392	77	B1-U3-G1	3561	81	B1-U3-G1				
			III-W-HS	2903	66	B1-U3-G2	3133	71	B1-U3-G2	3298	75	B1-U3-G2	3463	79	B1-U3-G2				
			IV-HS	3105	71	B1-U3-G1	3352	76	B1-U3-G1	3528	80	B1-U3-G1	3705	84	B1-U3-G1				
			IV-FT-HS	2895	66	B1-U3-G2	3125	71	B1-U3-G2	3290	75	B1-U3-G2	3454	79	B1-U3-G2				
			20	875	55.0	II	4652	85	B1-U3-G1	5022	91	B1-U3-G1	5286	96	B1-U3-G1	5550	101	B1-U3-G1	
II-FR	4616	84				B1-U3-G1	4983	91	B1-U3-G1	5246	95	B1-U3-G1	5508	100	B1-U3-G1				
III-M	4759	87				B1-U3-G1	5138	93	B1-U3-G1	5408	98	B1-U3-G1	5678	103	B1-U3-G1				
III-W	4384	80				B1-U3-G2	4733	86	B1-U3-G2	4982	91	B1-U3-G2	5231	95	B1-U3-G2				
IV	4745	86				B1-U3-G1	5122	93	B1-U3-G1	5391	98	B1-U3-G1	5661	103	B1-U3-G1				
IV-FT	4258	77				B1-U3-G2	4596	84	B1-U3-G2	4838	88	B1-U3-G2	5080	92	B1-U3-G2				
VSQ-N	4938	90				B2-U3-G1	5331	97	B2-U3-G1	5611	102	B2-U3-G1	5892	107	B2-U3-G1				
VSQ-M	4903	89				B3-U3-G1	5293	96	B3-U3-G1	5571	101	B3-U3-G1	5849	106	B3-U3-G1				
VSQ-W	4700	85				B3-U3-G2	5072	92	B3-U3-G2	5340	97	B3-U3-G2	5607	102	B3-U3-G2				
II-HS	3437	62				B1-U3-G1	3711	67	B1-U3-G1	3906	71	B1-U3-G1	4101	75	B1-U3-G1				
II-FR-HS	3474	63				B1-U3-G1	3750	68	B1-U3-G1	3947	72	B1-U3-G1	4144	75	B1-U3-G1				
III-M-HS	3498	64				B1-U3-G1	3777	69	B1-U3-G1	3975	72	B1-U3-G1	4174	76	B1-U3-G1				
III-W-HS	3401	62				B1-U3-G2	3672	67	B1-U3-G2	3865	70	B1-U3-G2	4058	74	B1-U3-G2				
IV-HS	3639	66				B1-U3-G1	3928	71	B1-U3-G1	4135	75	B1-U3-G1	4341	79	B1-U3-G1				
IV-FT-HS	3393	62				B1-U3-G2	3663	67	B1-U3-G2	3855	70	B1-U3-G2	4048	74	B1-U3-G2				

IES File downloads for this product can be found at www.usaltg.com/downloads/asr.html

SHW SERIES - LED

PHOTOMETRIC DATA GUIDE - LUMEN TABLES (SHW21-PLED-CPA)

SHW21-PLED-CPA																			
LED Count	Drive Current (mA)	System Watts	Dist'n Type	27K (2700K - 70CRI)			30K (3000K - 70CRI)			40K (4000K - 70CRI)			50K (5000K - 70CRI)			System Watts	TRA (590nm)		
				LUMENS	LPW	BUG RATING	LUMENS	LPW	BUG RATING	LUMENS	LPW	BUG RATING	LUMENS	LPW	BUG RATING		LUMENS	LPW	BUG RATING
36	350	39.6	II	3913	99	B1-U3-G1	4224	107	B1-U3-G1	4446	112	B1-U3-G1	4668	118	B1-U3-G1	30.5	1449	47	B1-U2-G1
			II-FR	3882	98	B1-U3-G1	4191	106	B1-U3-G1	4411	111	B1-U3-G1	4632	117	B1-U3-G1		1438	47	B0-U3-G1
			III-M	4003	101	B1-U3-G1	4322	109	B1-U3-G1	4549	115	B1-U3-G1	4776	121	B1-U3-G1		1482	49	B1-U2-G1
			III-W	3687	93	B1-U3-G2	3981	101	B1-U3-G2	4191	106	B1-U3-G2	4400	111	B1-U3-G2		1365	45	B0-U2-G1
			IV	3990	101	B1-U3-G1	4308	109	B1-U3-G1	4534	115	B1-U3-G1	4761	120	B1-U3-G1		1478	48	B1-U2-G1
			IV-FT	3581	90	B1-U3-G2	3865	98	B1-U3-G2	4069	103	B1-U3-G2	4272	108	B1-U3-G2		1326	43	B0-U2-G1
			VSQ-N	4153	105	B2-U3-G1	4484	113	B2-U3-G1	4720	119	B2-U3-G1	4956	125	B2-U3-G1		1538	50	B1-U2-G1
			VSQ-M	4123	104	B2-U3-G1	4451	112	B3-U3-G1	4685	118	B3-U3-G1	4919	124	B3-U3-G1		1527	50	B1-U2-G1
			VSQ-W	3953	100	B3-U3-G2	4266	108	B3-U3-G2	4490	113	B3-U3-G2	4714	119	B3-U3-G2		1464	48	B1-U2-G1
			II-HS	2891	73	B1-U3-G1	3121	79	B1-U3-G1	3285	83	B1-U3-G1	3449	87	B1-U3-G1		1071	35	B0-U2-G1
			II-FR-HS	2921	74	B0-U3-G1	3153	80	B0-U3-G1	3319	84	B0-U3-G1	3485	88	B1-U3-G1		1081	35	B0-U2-G1
			III-M-HS	2943	74	B1-U3-G1	3177	80	B1-U3-G1	3344	84	B1-U3-G1	3511	89	B1-U3-G1		1090	36	B0-U2-G1
			III-W-HS	2861	72	B1-U3-G2	3088	78	B1-U3-G2	3251	82	B1-U3-G2	3413	86	B1-U3-G2		1060	35	B0-U2-G1
			IV-HS	3060	77	B1-U3-G1	3304	83	B1-U3-G1	3478	88	B1-U3-G1	3652	92	B1-U3-G1		1134	37	B0-U2-G1
IV-FT-HS	2854	72	B1-U3-G1	3080	78	B1-U3-G2	3242	82	B1-U3-G2	3404	86	B1-U3-G2	1058	35	B0-U2-G1				
36	525	59.4	II	5634	95	B1-U3-G1	6082	102	B2-U3-G1	6402	108	B2-U3-G2	6722	113	B2-U3-G2	45.7	1702	37	B1-U2-G1
			II-FR	5590	94	B1-U3-G1	6035	102	B1-U3-G1	6352	107	B1-U3-G1	6670	112	B1-U3-G1		1690	37	B1-U3-G1
			III-M	5765	97	B1-U3-G1	6222	105	B1-U3-G2	6550	110	B2-U3-G2	6877	116	B2-U3-G2		1742	38	B1-U2-G1
			III-W	5310	89	B1-U3-G2	5732	97	B1-U3-G2	6034	102	B1-U3-G2	6335	107	B1-U3-G2		1604	35	B0-U2-G1
			IV	5746	97	B1-U3-G1	6202	104	B2-U3-G2	6529	110	B2-U3-G2	6855	115	B2-U3-G2		1736	38	B1-U2-G1
			IV-FT	5156	87	B1-U3-G2	5566	94	B1-U3-G2	5859	99	B1-U3-G2	6152	104	B1-U3-G2		1558	34	B0-U2-G1
			VSQ-N	5980	101	B2-U3-G1	6456	109	B2-U3-G1	6796	114	B2-U3-G1	7135	120	B2-U3-G1		1808	40	B1-U3-G1
			VSQ-M	5937	100	B3-U3-G1	6409	108	B3-U3-G1	6747	114	B3-U3-G1	7084	119	B3-U3-G1		1794	39	B1-U2-G1
			VSQ-W	5690	96	B3-U3-G2	6144	103	B3-U3-G2	6467	109	B3-U3-G3	6791	114	B3-U3-G3		1720	38	B1-U2-G1
			II-HS	4163	70	B1-U3-G1	4494	76	B1-U3-G1	4730	80	B1-U3-G1	4966	84	B1-U3-G1		1258	28	B0-U2-G1
			II-FR-HS	4207	71	B1-U3-G1	4541	76	B1-U3-G1	4780	80	B1-U3-G1	5019	84	B1-U3-G1		1271	28	B0-U2-G1
			III-M-HS	4238	71	B1-U3-G1	4574	77	B1-U3-G1	4815	81	B1-U3-G2	5055	85	B1-U3-G2		1281	28	B0-U2-G1
			III-W-HS	4120	69	B1-U3-G2	4448	75	B1-U3-G2	4682	79	B1-U3-G2	4916	83	B1-U3-G2		1246	27	B0-U2-G1
			IV-HS	4407	74	B1-U3-G1	4757	80	B1-U3-G1	5007	84	B1-U3-G2	5257	89	B1-U3-G2		1332	29	B0-U2-G1
IV-FT-HS	4108	69	B1-U3-G2	4436	75	B1-U3-G2	4669	79	B1-U3-G2	4902	83	B1-U3-G2	1242	27	B0-U2-G1				
36	700	79.2	II	7144	90	B2-U3-G2	7712	97	B2-U3-G2	8118	103	B2-U3-G2	8524	108	B2-U3-G2	N/A	N/A		
			II-FR	7089	90	B2-U3-G1	7653	97	B2-U3-G1	8056	102	B2-U3-G1	8459	107	B2-U3-G1				
			III-M	7309	92	B2-U3-G2	7890	100	B2-U3-G2	8306	105	B2-U3-G2	8721	110	B2-U3-G2				
			III-W	6734	85	B1-U3-G3	7269	92	B1-U3-G3	7651	97	B1-U3-G3	8033	101	B1-U3-G3				
			IV	7286	92	B2-U3-G2	7865	99	B2-U3-G2	8279	105	B2-U3-G2	8693	110	B2-U3-G2				
			IV-FT	6538	83	B1-U3-G3	7058	89	B1-U3-G3	7430	94	B1-U3-G3	7801	98	B1-U3-G3				
			VSQ-N	7582	96	B2-U3-G1	8185	103	B2-U3-G1	8617	109	B3-U3-G1	9049	114	B3-U3-G1				
			VSQ-M	7531	95	B3-U3-G1	8129	103	B3-U3-G2	8557	108	B3-U3-G2	8985	113	B3-U3-G2				
			VSQ-W	7218	91	B3-U3-G3	7791	98	B3-U3-G3	8201	104	B3-U3-G3	8612	109	B3-U3-G3				
			II-HS	5279	67	B1-U3-G2	5698	72	B1-U3-G2	5999	76	B1-U3-G2	6299	80	B1-U3-G2				
			II-FR-HS	5335	67	B1-U3-G1	5759	73	B1-U3-G1	6062	77	B1-U3-G1	6365	80	B1-U3-G1				
			III-M-HS	5374	68	B1-U3-G2	5800	73	B1-U3-G2	6105	77	B1-U3-G2	6411	81	B1-U3-G2				
			III-W-HS	5225	66	B1-U3-G2	5640	71	B1-U3-G2	5936	75	B1-U3-G2	6233	79	B1-U3-G3				
			IV-HS	5588	71	B1-U3-G2	6032	76	B1-U3-G2	6350	80	B1-U3-G2	6668	84	B1-U3-G2				
IV-FT-HS	5211	66	B1-U3-G2	5625	71	B1-U3-G2	5921	75	B1-U3-G2	6217	78	B1-U3-G2							
36	875	99.0	II	8373	85	B2-U3-G2	9038	91	B2-U3-G2	9515	96	B2-U3-G2	9990	101	B2-U3-G2	N/A	N/A		
			II-FR	8309	84	B2-U3-G1	8969	91	B2-U3-G2	9441	95	B2-U3-G2	9913	100	B2-U3-G2				
			III-M	8566	87	B2-U3-G2	9247	93	B2-U3-G2	9734	98	B2-U3-G2	10221	103	B2-U3-G2				
			III-W	7891	80	B1-U3-G3	8518	86	B2-U3-G3	8967	91	B2-U3-G3	9415	95	B2-U3-G3				
			IV	8539	86	B2-U3-G2	9218	93	B2-U3-G2	9704	98	B2-U3-G2	10189	103	B2-U3-G2				
			IV-FT	7663	77	B1-U3-G3	8271	84	B1-U3-G3	8707	88	B2-U3-G3	9143	92	B2-U3-G3				
			VSQ-N	8888	90	B3-U3-G1	9594	97	B3-U3-G1	10100	102	B3-U3-G2	10605	107	B3-U3-G2				
			VSQ-M	8824	89	B3-U3-G2	9526	96	B3-U3-G2	10027	101	B3-U3-G2	10528	106	B3-U3-G2				
			VSQ-W	8457	85	B3-U3-G3	9129	92	B4-U3-G3	9610	97	B4-U3-G3	10090	102	B4-U3-G3				
			II-HS	6186	62	B1-U3-G2	6679	67	B1-U3-G2	7030	71	B1-U3-G2	7381	75	B1-U3-G2				
			II-FR-HS	6252	63	B1-U3-G1	6749	68	B1-U3-G1	7104	72	B1-U3-G1	7459	75	B1-U3-G1				
			III-M-HS	6297	64	B1-U3-G2	6797	69	B1-U3-G2	7155	72	B1-U3-G2	7513	76	B1-U3-G2				
			III-W-HS	6122	62	B1-U3-G2	6609	67	B1-U3-G3	6957	70	B1-U3-G3	7305	74	B1-U3-G3				
			IV-HS	6549	66	B1-U3-G2	7069	71	B1-U3-G2	7442	75	B1-U3-G2	7814	79	B1-U3-G2				
IV-FT-HS	6107	62	B1-U3-G2	6592	67	B1-U3-G3	6939	70	B1-U3-G3	7285	74	B1-U3-G3							

IES File downloads for this product can be found at www.usaltg.com/downloads/asr.html

SHW SERIES - LED

PHOTOMETRIC DATA GUIDE - LUMEN TABLES (SHW21-PLED-CPA)

SHW21-PLED-CPA																			
LED Count	Drive Current (mA)	System Watts	Dist'n Type	27K (2700K - 70CRI)			30K (3000K - 70CRI)			40K (4000K - 70CRI)			50K (5000K - 70CRI)			System Watts	TRA (590nm)		
				LUMENS	LPW	BUG RATING	LUMENS	LPW	BUG RATING	LUMENS	LPW	BUG RATING	LUMENS	LPW	BUG RATING		LUMENS	LPW	BUG RATING
48	350	52.8	II	4799	91	B1-U3-G1	5181	98	B1-U3-G1	5453	103	B1-U3-G1	5726	108	B1-U3-G1	40.7	1778	44	B1-U2-G1
			II-FR	4762	90	B1-U3-G1	5141	97	B1-U3-G1	5412	102	B1-U3-G1	5682	108	B1-U3-G1		1764	43	B1-U3-G1
			III-M	4910	93	B1-U3-G1	5301	100	B1-U3-G1	5579	106	B1-U3-G1	5858	111	B1-U3-G1		1819	45	B1-U2-G1
			III-W	4524	86	B1-U3-G2	4883	92	B1-U3-G2	5140	97	B1-U3-G2	5397	102	B1-U3-G2		1675	41	B0-U2-G1
			IV	4894	93	B1-U3-G1	5283	100	B1-U3-G1	5562	105	B1-U3-G1	5840	111	B1-U3-G1		1813	45	B1-U2-G1
			IV-FT	4393	83	B1-U3-G2	4742	90	B1-U3-G2	4991	95	B1-U3-G2	5240	99	B1-U3-G2		1626	40	B0-U2-G1
			VSQ-N	5094	96	B2-U3-G1	5500	104	B2-U3-G1	5789	110	B2-U3-G1	6078	115	B2-U3-G1		1887	46	B1-U3-G1
			VSQ-M	5058	96	B3-U3-G1	5460	103	B3-U3-G1	5748	109	B3-U3-G1	6035	114	B3-U3-G1		1873	46	B1-U2-G1
			VSQ-W	4847	92	B3-U3-G2	5233	99	B3-U3-G2	5509	104	B3-U3-G2	5784	110	B3-U3-G2		1796	44	B1-U3-G1
			II-HS	3547	67	B1-U3-G1	3828	73	B1-U3-G1	4030	76	B1-U3-G1	4231	80	B1-U3-G1		1314	32	B0-U2-G1
			II-FR-HS	3583	68	B1-U3-G1	3868	73	B1-U3-G1	4073	77	B1-U3-G1	4276	81	B1-U3-G1		1328	33	B0-U2-G1
			III-M-HS	3610	68	B1-U3-G1	3897	74	B1-U3-G1	4102	78	B1-U3-G1	4306	82	B1-U3-G1		1337	33	B0-U2-G1
			III-W-HS	3510	66	B1-U3-G2	3789	72	B1-U3-G2	3988	76	B1-U3-G2	4187	79	B1-U3-G2		1300	32	B0-U2-G1
			IV-HS	3755	71	B1-U3-G1	4053	77	B1-U3-G1	4266	81	B1-U3-G1	4479	85	B1-U3-G1		1391	34	B0-U2-G1
			IV-FT-HS	3500	66	B1-U3-G2	3779	72	B1-U3-G2	3978	75	B1-U3-G2	4177	79	B1-U3-G2		1297	32	B0-U2-G1
			48	525	79.2	II	6911	87	B2-U3-G2	7460	94	B2-U3-G2	7853	99	B2-U3-G2		8245	104	B2-U3-G2
II-FR	6858	87				B1-U3-G1	7403	93	B2-U3-G1	7793	98	B2-U3-G1	8182	103	B2-U3-G1	2073	34	B1-U3-G1	
III-M	7070	89				B2-U3-G2	7632	96	B2-U3-G2	8035	101	B2-U3-G2	8435	107	B2-U3-G2	2137	35	B1-U3-G1	
III-W	6514	82				B1-U3-G3	7031	89	B1-U3-G3	7401	93	B1-U3-G3	7771	98	B1-U3-G3	1968	32	B1-U2-G1	
IV	7048	89				B2-U3-G2	7608	96	B2-U3-G2	8009	101	B2-U3-G2	8409	106	B2-U3-G2	2130	35	B1-U3-G1	
IV-FT	6325	80				B1-U3-G3	6828	86	B1-U3-G3	7187	91	B1-U3-G3	7545	95	B1-U3-G3	1911	31	B1-U2-G1	
VSQ-N	7335	93				B2-U3-G1	7920	100	B2-U3-G1	8338	105	B2-U3-G1	8754	111	B3-U3-G1	2218	36	B1-U3-G1	
VSQ-M	7283	92				B3-U3-G1	7863	99	B3-U3-G1	8276	105	B3-U3-G2	8691	110	B3-U3-G2	2200	36	B2-U2-G1	
VSQ-W	6982	88				B3-U3-G3	7537	95	B3-U3-G3	7932	100	B3-U3-G3	8328	105	B3-U3-G3	2110	35	B2-U2-G1	
II-HS	5106	64				B1-U3-G1	5512	70	B1-U3-G2	5803	73	B1-U3-G2	6093	77	B1-U3-G2	1543	25	B0-U2-G1	
II-FR-HS	5160	65				B1-U3-G1	5571	70	B1-U3-G1	5864	74	B1-U3-G1	6157	78	B1-U3-G1	1560	26	B0-U3-G1	
III-M-HS	5198	66				B1-U3-G2	5611	71	B1-U3-G2	5906	75	B1-U3-G2	6202	78	B1-U3-G2	1571	26	B0-U2-G1	
III-W-HS	5054	64				B1-U3-G2	5456	69	B1-U3-G2	5743	73	B1-U3-G2	6029	76	B1-U3-G2	1527	25	B0-U2-G1	
IV-HS	5405	68				B1-U3-G2	5835	74	B1-U3-G2	6142	78	B1-U3-G2	6450	81	B1-U3-G2	1634	27	B0-U2-G1	
IV-FT-HS	5040	64				B1-U3-G2	5441	69	B1-U3-G2	5728	72	B1-U3-G2	6013	76	B1-U3-G2	1523	25	B0-U2-G1	
48	700	105.6				II	8764	83	B2-U3-G2	9461	90	B2-U3-G2	9958	94	B2-U3-G2	10457	99	B2-U3-G2	N/A
			II-FR	8696	82	B2-U3-G1	9389	89	B2-U3-G2	9882	94	B2-U3-G2	10375	98	B2-U3-G2				
			III-M	8966	85	B2-U3-G2	9679	92	B2-U3-G2	10188	96	B2-U3-G2	10698	101	B2-U3-G2				
			III-W	8260	78	B2-U3-G3	8916	84	B2-U3-G3	9386	89	B2-U3-G3	9856	93	B2-U3-G3				
			IV	8937	85	B2-U3-G2	9648	91	B2-U3-G2	10156	96	B2-U3-G2	10664	101	B2-U3-G2				
			IV-FT	8020	76	B1-U3-G3	8658	82	B2-U3-G3	9113	86	B2-U3-G3	9569	91	B2-U3-G3				
			VSQ-N	9303	88	B3-U3-G1	10042	95	B3-U3-G2	10570	100	B3-U3-G2	11099	105	B3-U3-G2				
			VSQ-M	9236	87	B3-U3-G2	9970	94	B3-U3-G2	10496	99	B3-U3-G2	11020	104	B4-U3-G2				
			VSQ-W	8853	84	B3-U3-G3	9557	90	B4-U3-G3	10060	95	B4-U3-G3	10563	100	B4-U3-G3				
			II-HS	6476	61	B1-U3-G2	6990	66	B1-U3-G2	7358	70	B1-U3-G2	7726	73	B1-U3-G2				
			II-FR-HS	6544	62	B1-U3-G1	7064	67	B1-U3-G1	7436	70	B1-U3-G1	7808	74	B1-U3-G1				
			III-M-HS	6591	62	B1-U3-G2	7115	67	B1-U3-G2	7490	71	B1-U3-G2	7864	74	B1-U3-G2				
			III-W-HS	6408	61	B1-U3-G3	6918	66	B1-U3-G3	7282	69	B1-U3-G3	7646	72	B1-U3-G3				
			IV-HS	6855	65	B1-U3-G2	7400	70	B1-U3-G2	7790	74	B1-U3-G2	8179	77	B1-U3-G2				
			IV-FT-HS	6392	61	B1-U3-G2	6900	65	B1-U3-G3	7263	69	B1-U3-G3	7626	72	B1-U3-G3				
			48	875	132.0	II	10271	78	B2-U3-G2	11088	84	B2-U3-G2	11671	88	B2-U3-G2	12255	93	B2-U3-G2	
II-FR	10192	77				B2-U3-G2	11002	83	B2-U3-G2	11582	88	B2-U3-G2	12160	92	B2-U3-G2				
III-M	10508	80				B2-U3-G2	11344	86	B2-U3-G2	11941	90	B2-U3-G2	12538	95	B2-U3-G2				
III-W	9680	73				B2-U3-G3	10450	79	B2-U3-G3	11000	83	B2-U3-G3	11550	88	B2-U3-G3				
IV	10474	79				B2-U3-G2	11308	86	B2-U3-G2	11903	90	B2-U3-G2	12498	95	B2-U3-G2				
IV-FT	9398	71				B2-U3-G3	10147	77	B2-U3-G3	10681	81	B2-U3-G3	11215	85	B2-U3-G3				
VSQ-N	10902	83				B3-U3-G2	11770	89	B3-U3-G2	12389	94	B3-U3-G2	13009	99	B3-U3-G2				
VSQ-M	10823	82				B3-U3-G2	11685	89	B4-U3-G2	12301	93	B4-U3-G2	12915	98	B4-U3-G2				
VSQ-W	10374	79				B4-U3-G3	11199	85	B4-U3-G3	11788	89	B4-U3-G3	12378	94	B4-U3-G3				
II-HS	7589	57				B1-U3-G2	8193	62	B1-U3-G2	8624	65	B1-U3-G2	9054	69	B1-U3-G2				
II-FR-HS	7669	58				B1-U3-G1	8279	63	B1-U3-G1	8715	66	B1-U3-G1	9151	69	B1-U3-G1				
III-M-HS	7724	59				B1-U3-G2	8338	63	B1-U3-G2	8778	66	B1-U3-G2	9216	70	B1-U3-G2				
III-W-HS	7511	57				B1-U3-G3	8108	61	B1-U3-G3	8535	65	B1-U3-G3	8961	68	B1-U3-G3				
IV-HS	8034	61				B1-U3-G2	8672	66	B1-U3-G2	9129	69	B1-U3-G2	9586	73	B1-U3-G2				
IV-FT-HS	7490	57				B1-U3-G3	8086	61	B1-U3-G3	8512	64	B1-U3-G3	8938	68	B1-U3-G3				

IES File downloads for this product can be found at www.usaltg.com/downloads/asr.html

SHW SERIES - LED

PHOTOMETRIC DATA GUIDE - LUMEN TABLES (SHW21-PLED-WPA)

SHW21-PLED-WPA																			
LED Count	Drive Current (mA)	System Watts	Dist'n Type	27K (2700K - 70CRI)			30K (3000K - 70CRI)			40K (4000K - 70CRI)			50K (5000K - 70CRI)			System Watts	TRA (590nm)		
				LUMENS	LPW	BUG RATING	LUMENS	LPW	BUG RATING	LUMENS	LPW	BUG RATING	LUMENS	LPW	BUG RATING		LUMENS	LPW	BUG RATING
20	350	22.0	ASY-N1	1575	72	B1-U3-G2	1699	77	B1-U3-G2	1789	81	B1-U3-G2	1878	85	B1-U3-G2	17.0	583	34	B0-U3-G1
			ASY-N2	1255	57	B0-U3-G2	1355	62	B0-U3-G2	1426	65	B1-U3-G2	1497	68	B1-U3-G2		465	27	B0-U3-G1
			ASY-W1	1733	79	B1-U3-G2	1870	85	B1-U3-G2	1969	89	B1-U3-G2	2067	94	B1-U3-G2		642	38	B0-U3-G1
			ASY-W2	1279	58	B0-U3-G1	1381	63	B1-U3-G1	1454	66	B1-U3-G2	1526	69	B1-U3-G2		474	28	B0-U3-G1
			SYM	1817	83	B1-U3-G1	1962	89	B1-U3-G2	2065	94	B1-U3-G2	2168	99	B1-U3-G2		673	40	B0-U3-G1
20	525	33.0	ASY-N1	2267	69	B1-U3-G2	2448	74	B1-U3-G2	2576	78	B1-U3-G2	2705	82	B1-U3-G2	25.4	685	27	B0-U3-G1
			ASY-N2	1807	55	B1-U3-G2	1951	59	B1-U3-G2	2053	62	B1-U3-G2	2155	65	B1-U3-G2		546	21	B0-U3-G1
			ASY-W1	2495	76	B1-U3-G2	2693	82	B1-U3-G2	2835	86	B1-U3-G2	2977	90	B1-U3-G2		754	30	B0-U3-G1
			ASY-W2	1842	56	B1-U3-G2	1989	60	B1-U3-G2	2094	63	B1-U3-G2	2198	67	B1-U3-G2		557	22	B0-U3-G1
			SYM	2616	79	B1-U3-G2	2825	86	B1-U3-G2	2973	90	B1-U3-G2	3122	95	B1-U3-G2		791	31	B1-U3-G1
20	700	44.0	ASY-N1	2875	65	B1-U3-G2	3103	71	B1-U3-G3	3267	74	B1-U3-G3	3430	78	B1-U3-G3	N/A	N/A		
			ASY-N2	2291	52	B1-U3-G2	2473	56	B1-U3-G2	2604	59	B1-U3-G2	2734	62	B1-U3-G3				
			ASY-W1	3163	72	B1-U3-G2	3415	78	B1-U3-G2	3595	82	B1-U3-G2	3775	86	B1-U4-G3				
			ASY-W2	2337	53	B1-U3-G2	2522	57	B1-U3-G2	2655	60	B1-U3-G2	2788	63	B1-U3-G2				
			SYM	3318	75	B2-U3-G2	3582	81	B2-U3-G2	3771	86	B2-U4-G2	3959	90	B2-U4-G2				
20	875	55.0	ASY-N1	3370	61	B1-U3-G3	3637	66	B1-U3-G3	3829	70	B1-U4-G3	4020	73	B1-U4-G3	N/A	N/A		
			ASY-N2	2686	49	B1-U3-G3	2899	53	B1-U3-G3	3052	55	B1-U3-G3	3204	58	B1-U3-G3				
			ASY-W1	3709	67	B1-U4-G2	4003	73	B1-U4-G3	4214	77	B1-U4-G3	4425	80	B1-U4-G3				
			ASY-W2	2738	50	B1-U3-G2	2956	54	B1-U3-G2	3111	57	B1-U3-G2	3267	59	B1-U3-G2				
			SYM	3889	71	B2-U4-G2	4199	76	B2-U4-G2	4420	80	B2-U4-G3	4640	84	B2-U4-G3				
36	350	39.6	ASY-N1	2834	72	B1-U3-G2	3059	77	B1-U3-G3	3220	81	B1-U3-G3	3381	85	B1-U3-G3	30.5	1050	34	B0-U3-G1
			ASY-N2	2259	57	B1-U3-G2	2438	62	B1-U3-G2	2566	65	B1-U3-G2	2695	68	B1-U3-G3		837	27	B0-U3-G1
			ASY-W1	3119	79	B1-U3-G2	3367	85	B1-U3-G2	3544	89	B1-U3-G2	3721	94	B1-U4-G2		1155	38	B1-U3-G1
			ASY-W2	2303	58	B1-U3-G2	2486	63	B1-U3-G2	2617	66	B1-U3-G2	2747	69	B1-U3-G2		853	28	B0-U3-G1
			SYM	3270	83	B1-U3-G2	3531	89	B2-U3-G2	3717	94	B2-U4-G2	3903	99	B2-U4-G2		1211	40	B1-U3-G1
36	525	59.4	ASY-N1	4081	69	B1-U4-G3	4405	74	B1-U4-G3	4637	78	B1-U4-G3	4868	82	B1-U4-G3	45.7	1234	27	B1-U3-G1
			ASY-N2	3252	55	B1-U3-G3	3510	59	B1-U3-G3	3696	62	B1-U3-G3	3880	65	B1-U4-G3		983	22	B0-U3-G1
			ASY-W1	4491	76	B1-U4-G3	4848	82	B2-U4-G3	5103	86	B2-U4-G3	5359	90	B2-U4-G3		1358	30	B1-U3-G1
			ASY-W2	3316	56	B1-U3-G3	3579	60	B1-U3-G3	3768	63	B1-U4-G3	3956	67	B1-U4-G3		1002	22	B0-U3-G1
			SYM	4709	79	B2-U4-G3	5084	86	B2-U4-G3	5352	90	B2-U4-G3	5618	95	B2-U4-G3		1424	31	B1-U3-G1
36	700	79.2	ASY-N1	5175	65	B1-U4-G3	5586	71	B2-U4-G3	5880	74	B2-U4-G3	6174	78	B2-U4-G3	N/A	N/A		
			ASY-N2	4124	52	B1-U4-G3	4452	56	B1-U4-G3	4686	59	B1-U4-G3	4921	62	B1-U4-G3				
			ASY-W1	5695	72	B2-U4-G3	6148	78	B2-U4-G3	6471	82	B2-U4-G3	6796	86	B2-U4-G3				
			ASY-W2	4205	53	B1-U4-G3	4539	57	B1-U4-G3	4779	60	B1-U4-G3	5017	63	B1-U4-G3				
			SYM	5972	75	B2-U4-G3	6447	81	B2-U4-G3	6787	86	B3-U4-G3	7126	90	B3-U4-G3				
36	875	99.0	ASY-N1	6065	61	B2-U4-G3	6547	66	B2-U4-G3	6892	70	B2-U4-G4	7236	73	B2-U4-G4	N/A	N/A		
			ASY-N2	4834	49	B1-U4-G3	5218	53	B1-U4-G3	5493	55	B1-U4-G3	5768	58	B1-U4-G3				
			ASY-W1	6674	67	B2-U4-G3	7205	73	B2-U4-G3	7585	77	B2-U5-G3	7964	80	B2-U5-G3				
			ASY-W2	4928	50	B1-U4-G3	5320	54	B1-U4-G3	5600	57	B1-U4-G3	5880	59	B1-U4-G3				
			SYM	6999	71	B3-U4-G3	7556	76	B3-U5-G3	7954	80	B3-U5-G3	8350	84	B3-U5-G3				
48	350	52.8	ASY-N1	3477	66	B1-U3-G3	3753	71	B1-U3-G3	3950	75	B1-U4-G3	4148	79	B1-U4-G3	40.7	1288	32	B1-U3-G1
			ASY-N2	2771	52	B1-U3-G3	2991	57	B1-U3-G3	3148	60	B1-U3-G3	3305	63	B1-U3-G3		1026	25	B0-U3-G1
			ASY-W1	3826	72	B1-U4-G3	4131	78	B1-U4-G3	4348	82	B1-U4-G3	4565	86	B1-U4-G3		1417	35	B1-U3-G1
			ASY-W2	2825	54	B1-U3-G2	3049	58	B1-U3-G2	3210	61	B1-U3-G2	3370	64	B1-U3-G3		1047	26	B0-U3-G1
			SYM	4013	76	B2-U4-G2	4331	82	B2-U4-G3	4560	86	B2-U4-G3	4788	91	B2-U4-G3		1486	37	B1-U3-G1
48	525	79.2	ASY-N1	5006	63	B1-U4-G3	5404	68	B1-U4-G3	5689	72	B2-U4-G3	5972	75	B2-U4-G3	61.0	1513	25	B1-U3-G2
			ASY-N2	3990	50	B1-U4-G3	4307	54	B1-U4-G3	4534	57	B1-U4-G3	4760	60	B1-U4-G3		1206	20	B0-U3-G2
			ASY-W1	5510	70	B2-U4-G3	5947	75	B2-U4-G3	6261	79	B2-U4-G3	6573	83	B2-U4-G3		1665	27	B1-U3-G1
			ASY-W2	4068	51	B1-U4-G3	4391	55	B1-U4-G3	4622	58	B1-U4-G3	4853	61	B1-U4-G3		1229	20	B0-U3-G1
			SYM	5778	73	B2-U4-G3	6237	79	B2-U4-G3	6566	83	B2-U4-G3	6893	87	B3-U4-G3		1746	29	B1-U3-G1
48	700	105.6	ASY-N1	6349	60	B2-U4-G3	6853	65	B2-U4-G4	7213	68	B2-U4-G4	7574	72	B2-U4-G4	N/A	N/A		
			ASY-N2	5059	48	B1-U4-G3	5462	52	B1-U4-G3	5749	54	B1-U4-G3	6036	57	B1-U4-G4				
			ASY-W1	6986	66	B2-U4-G3	7542	71	B2-U5-G3	7939	75	B2-U5-G3	8335	79	B2-U5-G3				
			ASY-W2	5159	49	B1-U4-G3	5569	53	B1-U4-G3	5862	56	B1-U4-G3	6155	58	B2-U4-G3				
			SYM	7326	69	B3-U5-G3	7909	75	B3-U5-G3	8325	79	B3-U5-G3	8742	83	B3-U5-G3				
48	875	132.0	ASY-N1	7439	56	B2-U4-G4	8031	61	B2-U5-G4	8454	64	B2-U5-G4	8877	67	B2-U5-G4	N/A	N/A		
			ASY-N2	5930	45	B1-U4-G4	6401	48	B1-U4-G4	6738	51	B2-U4-G4	7075	54	B2-U4-G4				
			ASY-W1	8188	62	B2-U5-G3	8839	67	B2-U5-G4	9304	70	B2-U5-G4	9769	74	B3-U5-G4				
			ASY-W2	6045	46	B2-U4-G3	6526	49	B2-U4-G3	6869	52	B2-U4-G3	7213	55	B2-U5-G3				
			SYM	8587	65	B3-U5-G3	9270	70	B3-U5-G3	9757	74	B3-U5-G4	10245	78	B3-U5-G4				

IES File downloads for this product can be found at www.usaltg.com/downloads/asr.html

SHW SERIES - LED

PHOTOMETRIC DATA GUIDE - LUMEN TABLES (SHW28-PLD-NL)

SHW28-PLD-NL (NO LENS)																			
LED Count	Drive Current (mA)	System Watts	Dist'n Type	27K (2700K - 70CRI)			30K (3000K - 70CRI)			40K (4000K - 70CRI)			50K (5000K - 70CRI)			System Watts	TRA (590nm)		
				LUMENS	LPW	BUG RATING	LUMENS	LPW	BUG RATING	LUMENS	LPW	BUG RATING	LUMENS	LPW	BUG RATING		LUMENS	LPW	BUG RATING
36	350	39.6	II	4207	106	B1-U0-G1	4541	115	B1-U0-G1	4781	121	B1-U0-G1	5020	127	B1-U0-G1	30.5	1558	51	B1-U0-G0
			II-FR	4180	106	B1-U0-G1	4512	114	B1-U0-G1	4749	120	B1-U0-G1	4987	126	B1-U0-G1		1548	51	B1-U0-G0
			III-M	4297	109	B1-U0-G1	4638	117	B1-U0-G1	4883	123	B1-U0-G1	5126	129	B1-U0-G1		1592	52	B1-U0-G0
			III-W	3957	100	B1-U0-G1	4271	108	B1-U0-G1	4496	114	B1-U0-G2	4721	119	B1-U0-G2		1466	48	B0-U0-G1
			IV	4285	108	B1-U0-G1	4626	117	B1-U0-G1	4869	123	B1-U0-G1	5113	129	B1-U0-G1		1587	52	B1-U0-G1
			IV-FT	3839	97	B1-U0-G1	4144	105	B1-U0-G1	4362	110	B1-U0-G2	4580	116	B1-U0-G2		1422	47	B0-U0-G1
			VSQ-N	4467	113	B2-U0-G1	4822	122	B2-U0-G1	5076	128	B2-U0-G1	5330	135	B2-U0-G1		1655	54	B1-U0-G0
			VSQ-M	4423	112	B3-U0-G1	4775	121	B3-U0-G1	5026	127	B3-U0-G1	5278	133	B3-U0-G1		1639	54	B1-U0-G0
			VSQ-W	4230	107	B3-U0-G1	4566	115	B3-U0-G1	4806	121	B3-U0-G1	5047	127	B3-U0-G1		1567	51	B1-U0-G1
			IIHS	3106	78	B0-U0-G1	3353	85	B0-U0-G1	3530	89	B0-U0-G1	3706	94	B1-U0-G1		1151	38	B0-U0-G0
			II-FR-HS	3142	79	B0-U0-G0	3391	86	B0-U0-G0	3570	90	B0-U0-G0	3748	95	B0-U0-G0		1164	38	B0-U0-G0
			III-M-HS	3162	80	B0-U0-G1	3413	86	B0-U0-G1	3593	91	B0-U0-G1	3772	95	B0-U0-G1		1171	38	B0-U0-G0
			III-W-HS	3069	77	B0-U0-G1	3313	84	B0-U0-G1	3487	88	B0-U0-G1	3661	92	B0-U0-G2		1137	37	B0-U0-G1
			IV-HS	3289	83	B0-U0-G1	3550	90	B0-U0-G1	3737	94	B0-U0-G1	3924	99	B0-U0-G1		1219	40	B0-U0-G0
			IV-FT-HS	3062	77	B0-U0-G1	3305	83	B0-U0-G2	3479	88	B0-U0-G2	3653	92	B0-U0-G2		1134	37	B0-U0-G1
			36	525	59.4	II	6058	102	B2-U0-G1	6540	110	B2-U0-G2	6884	116	B2-U0-G2		7228	122	B2-U0-G2
II-FR	6019	101				B1-U0-G1	6497	109	B2-U0-G1	6839	115	B2-U0-G1	7181	121	B2-U0-G1	1819	40	B1-U0-G0	
III-M	6187	104				B2-U0-G2	6679	112	B2-U0-G2	7031	118	B2-U0-G2	7382	124	B2-U0-G2	1870	41	B1-U0-G1	
III-W	5698	96				B1-U0-G2	6151	104	B1-U0-G2	6474	109	B1-U0-G2	6798	114	B1-U0-G2	1722	38	B0-U0-G1	
IV	6171	104				B2-U0-G2	6661	112	B2-U0-G2	7012	118	B2-U0-G2	7362	124	B2-U0-G2	1865	41	B1-U0-G1	
IV-FT	5528	93				B1-U0-G2	5967	100	B1-U0-G2	6282	106	B1-U0-G2	6596	111	B1-U0-G2	1671	37	B0-U0-G1	
VSQ-N	6433	108				B2-U0-G1	6944	117	B2-U0-G1	7310	123	B2-U0-G1	7675	129	B2-U0-G1	1944	43	B1-U0-G0	
VSQ-M	6370	107				B3-U0-G1	6876	116	B3-U0-G1	7238	122	B3-U0-G1	7600	128	B3-U0-G2	1925	42	B1-U0-G0	
VSQ-W	6091	103				B3-U0-G2	6576	111	B3-U0-G2	6922	117	B3-U0-G2	7268	122	B3-U0-G2	1841	40	B2-U0-G1	
IIHS	4473	75				B1-U0-G1	4829	81	B1-U0-G2	5083	86	B1-U0-G2	5337	90	B1-U0-G2	1352	30	B0-U0-G0	
II-FR-HS	4524	76				B0-U0-G1	4884	82	B0-U0-G1	5141	87	B1-U0-G1	5398	91	B1-U0-G1	1368	30	B0-U0-G0	
III-M-HS	4553	77				B0-U0-G2	4915	83	B0-U0-G2	5173	87	B0-U0-G2	5432	91	B0-U0-G2	1376	30	B0-U0-G0	
III-W-HS	4419	74				B0-U0-G2	4770	80	B0-U0-G2	5021	85	B0-U0-G2	5272	89	B0-U0-G2	1336	29	B0-U0-G1	
IV-HS	4735	80				B0-U0-G2	5112	86	B0-U0-G2	5381	91	B0-U0-G2	5650	95	B0-U0-G2	1431	31	B0-U0-G0	
IV-FT-HS	4409	74				B0-U0-G2	4759	80	B0-U0-G2	5010	84	B0-U0-G2	5261	89	B1-U0-G2	1333	29	B0-U0-G1	
36	700	79.2				II	7682	97	B2-U0-G2	8293	105	B2-U0-G2	8729	110	B2-U0-G2	9166	116	B2-U0-G2	N/A
			II-FR	7632	96	B2-U0-G1	8239	104	B2-U0-G1	8673	110	B2-U0-G1	9106	115	B2-U0-G1				
			III-M	7846	99	B2-U0-G2	8469	107	B2-U0-G2	8915	113	B2-U0-G2	9361	118	B2-U0-G2				
			III-W	7224	91	B1-U0-G2	7799	98	B1-U0-G2	8210	104	B2-U0-G2	8620	109	B2-U0-G2				
			IV	7825	99	B2-U0-G2	8447	107	B2-U0-G2	8892	112	B2-U0-G2	9336	118	B2-U0-G2				
			IV-FT	7010	89	B1-U0-G2	7567	96	B1-U0-G2	7966	101	B1-U0-G2	8364	106	B2-U0-G2				
			VSQ-N	8157	103	B3-U0-G1	8805	111	B3-U0-G1	9269	117	B3-U0-G1	9733	123	B3-U0-G1				
			VSQ-M	8077	102	B3-U0-G2	8719	110	B3-U0-G2	9178	116	B3-U0-G2	9637	122	B3-U0-G2				
			VSQ-W	7724	98	B3-U0-G2	8338	105	B3-U0-G2	8777	111	B4-U0-G2	9216	116	B4-U0-G2				
			IIHS	5672	72	B1-U0-G2	6123	77	B1-U0-G2	6445	81	B1-U0-G2	6767	85	B1-U0-G2				
			II-FR-HS	5737	72	B1-U0-G1	6193	78	B1-U0-G1	6519	82	B1-U0-G1	6845	86	B1-U0-G1				
			III-M-HS	5773	73	B1-U0-G2	6232	79	B1-U0-G2	6560	83	B1-U0-G2	6888	87	B1-U0-G2				
			III-W-HS	5603	71	B0-U0-G2	6049	76	B1-U0-G2	6367	80	B1-U0-G2	6685	84	B1-U0-G2				
			IV-HS	6005	76	B1-U0-G2	6482	82	B1-U0-G2	6824	86	B1-U0-G2	7165	90	B1-U0-G2				
			IV-FT-HS	5591	71	B1-U0-G2	6035	76	B1-U0-G2	6353	80	B1-U0-G2	6671	84	B1-U0-G2				
			36	875	99.0	II	9003	91	B2-U0-G2	9719	98	B2-U0-G2	10230	103	B2-U0-G2	10742	109	B2-U0-G2	
II-FR	8944	90				B2-U0-G1	9656	98	B2-U0-G1	10164	103	B2-U0-G1	10672	108	B2-U0-G1				
III-M	9195	93				B2-U0-G2	9926	100	B2-U0-G2	10449	106	B2-U0-G2	10971	111	B2-U0-G2				
III-W	8467	86				B2-U0-G2	9141	92	B2-U0-G2	9622	97	B2-U0-G2	10103	102	B2-U0-G2				
IV	9170	93				B2-U0-G2	9899	100	B2-U0-G2	10421	105	B2-U0-G2	10941	111	B2-U0-G2				
IV-FT	8215	83				B1-U0-G2	8868	90	B2-U0-G2	9335	94	B2-U0-G2	9802	99	B2-U0-G2				
VSQ-N	9560	97				B3-U0-G1	10320	104	B3-U0-G1	10864	110	B3-U0-G1	11407	115	B3-U0-G1				
VSQ-M	9466	96				B3-U0-G2	10219	103	B3-U0-G2	10757	109	B4-U0-G2	11295	114	B4-U0-G2				
VSQ-W	9052	91				B4-U0-G2	9772	99	B4-U0-G2	10287	104	B4-U0-G2	10801	109	B4-U0-G2				
IIHS	6647	67				B1-U0-G2	7175	72	B1-U0-G2	7553	76	B1-U0-G2	7931	80	B1-U0-G2				
II-FR-HS	6724	68				B1-U0-G1	7258	73	B1-U0-G1	7640	77	B1-U0-G1	8022	81	B1-U0-G1				
III-M-HS	6766	68				B1-U0-G2	7303	74	B1-U0-G2	7688	78	B1-U0-G2	8072	82	B1-U0-G2				
III-W-HS	6567	66				B1-U0-G2	7089	72	B1-U0-G2	7462	75	B1-U0-G2	7835	79	B1-U0-G2				
IV-HS	7038	71				B1-U0-G2	7597	77	B1-U0-G2	7997	81	B1-U0-G2	8397	85	B1-U0-G2				
IV-FT-HS	6552	66				B1-U0-G2	7073	71	B1-U0-G2	7446	75	B1-U0-G2	7818	79	B1-U0-G2				

IES File downloads for this product can be found at www.usaltg.com/downloads/asr.html

SHW SERIES - LED

PHOTOMETRIC DATA GUIDE - LUMEN TABLES (SHW28-PLD-NL)

SHW28-PLD-NL (NO LENS)																			
LED Count	Drive Current (mA)	System Watts	Dist'n Type	27K (2700K - 70CRI)			30K (3000K - 70CRI)			40K (4000K - 70CRI)			50K (5000K - 70CRI)			System Watts	TRA (590nm)		
				LUMENS	LPW	BUG RATING	LUMENS	LPW	BUG RATING	LUMENS	LPW	BUG RATING	LUMENS	LPW	BUG RATING		LUMENS	LPW	BUG RATING
48	350	52.8	II	5609	106	B2-U0-G1	6055	115	B2-U0-G1	6374	121	B2-U0-G2	6693	127	B2-U0-G2	40.7	2078	51	B1-U0-G1
			II-FR	5573	106	B1-U0-G1	6016	114	B1-U0-G1	6333	120	B2-U0-G1	6649	126	B2-U0-G1		2064	51	B1-U0-G0
			III-M	5729	108	B1-U0-G2	6184	117	B2-U0-G2	6510	123	B2-U0-G2	6835	129	B2-U0-G2		2122	52	B1-U0-G1
			III-W	5275	100	B1-U0-G2	5695	108	B1-U0-G2	5995	114	B1-U0-G2	6294	119	B1-U0-G2		1954	48	B1-U0-G1
			IV	5713	108	B1-U0-G2	6168	117	B2-U0-G2	6493	123	B2-U0-G2	6817	129	B2-U0-G2		2117	52	B1-U0-G1
			IV-FT	5118	97	B1-U0-G2	5525	105	B1-U0-G2	5817	110	B1-U0-G2	6107	116	B1-U0-G2		1896	47	B1-U0-G1
			VSQ-N	5956	113	B2-U0-G1	6430	122	B2-U0-G1	6769	128	B2-U0-G1	7107	135	B2-U0-G1		2207	54	B1-U0-G0
			VSQ-M	5898	112	B3-U0-G1	6367	121	B3-U0-G1	6702	127	B3-U0-G1	7037	133	B3-U0-G1		2185	54	B2-U0-G0
			VSQ-W	5640	107	B3-U0-G2	6088	115	B3-U0-G2	6409	121	B3-U0-G2	6729	127	B3-U0-G2		2089	51	B2-U0-G1
			II-HS	4142	78	B1-U0-G1	4471	85	B1-U0-G1	4706	89	B1-U0-G1	4941	94	B1-U0-G2		1534	38	B0-U0-G0
			II-FR-HS	4189	79	B0-U0-G1	4522	86	B0-U0-G1	4760	90	B0-U0-G1	4998	95	B1-U0-G1		1552	38	B0-U0-G0
			III-M-HS	4215	80	B0-U0-G2	4551	86	B0-U0-G2	4790	91	B0-U0-G2	5029	95	B0-U0-G2		1561	38	B0-U0-G1
			III-W-HS	4091	77	B0-U0-G2	4417	84	B0-U0-G2	4649	88	B0-U0-G2	4882	92	B0-U0-G2		1516	37	B0-U0-G1
			IV-HS	4385	83	B0-U0-G1	4733	90	B0-U0-G2	4983	94	B0-U0-G2	5232	99	B0-U0-G2		1624	40	B0-U0-G0
			IV-FT-HS	4082	77	B0-U0-G2	4407	83	B0-U0-G2	4639	88	B0-U0-G2	4871	92	B0-U0-G2		1512	37	B0-U0-G1
			48	525	79.2	II	8077	102	B2-U0-G2	8720	110	B2-U0-G2	9179	116	B2-U0-G2		9638	122	B2-U0-G2
II-FR	8025	101				B2-U0-G1	8663	109	B2-U0-G1	9119	115	B2-U0-G1	9575	121	B2-U0-G1	2426	40	B1-U0-G0	
III-M	8249	104				B2-U0-G2	8905	112	B2-U0-G2	9374	118	B2-U0-G2	9843	124	B2-U0-G2	2494	41	B1-U0-G1	
III-W	7596	96				B1-U0-G2	8201	104	B2-U0-G2	8632	109	B2-U0-G2	9064	114	B2-U0-G2	2296	38	B1-U0-G1	
IV	8227	104				B2-U0-G2	8882	112	B2-U0-G2	9349	118	B2-U0-G2	9817	124	B2-U0-G2	2487	41	B1-U0-G1	
IV-FT	7371	93				B1-U0-G2	7957	100	B1-U0-G2	8376	106	B2-U0-G2	8794	111	B2-U0-G2	2228	37	B1-U0-G1	
VSQ-N	8577	108				B3-U0-G1	9259	117	B3-U0-G1	9747	123	B3-U0-G1	10234	129	B3-U0-G1	2593	43	B1-U0-G0	
VSQ-M	8493	107				B3-U0-G2	9168	116	B3-U0-G2	9651	122	B3-U0-G2	10133	128	B3-U0-G2	2567	42	B2-U0-G1	
VSQ-W	8121	103				B3-U0-G2	8767	111	B4-U0-G2	9229	117	B4-U0-G2	9690	122	B4-U0-G2	2455	40	B2-U0-G1	
II-HS	5964	75				B1-U0-G2	6438	81	B1-U0-G2	6777	86	B1-U0-G2	7116	90	B1-U0-G2	1803	30	B0-U0-G1	
II-FR-HS	6032	76				B1-U0-G1	6512	82	B1-U0-G1	6855	87	B1-U0-G1	7197	91	B1-U0-G1	1823	30	B0-U0-G0	
III-M-HS	6070	77				B1-U0-G2	6553	83	B1-U0-G2	6898	87	B1-U0-G2	7243	91	B1-U0-G2	1835	30	B0-U0-G1	
III-W-HS	5892	74				B1-U0-G2	6360	80	B1-U0-G2	6695	85	B1-U0-G2	7030	89	B1-U0-G2	1781	29	B0-U0-G1	
IV-HS	6314	80				B1-U0-G2	6816	86	B1-U0-G2	7175	91	B1-U0-G2	7533	95	B1-U0-G2	1909	31	B0-U0-G1	
IV-FT-HS	5878	74				B1-U0-G2	6346	80	B1-U0-G2	6680	84	B1-U0-G2	7014	89	B1-U0-G2	1777	29	B0-U0-G1	
48	700	105.6				II	10243	97	B2-U0-G2	11057	105	B2-U0-G2	11639	110	B2-U0-G2	12221	116	B2-U0-G2	N/A
			II-FR	10176	96	B2-U0-G1	10985	104	B2-U0-G1	11563	110	B2-U0-G1	12141	115	B2-U0-G1				
			III-M	10461	99	B2-U0-G2	11293	107	B2-U0-G2	11887	113	B2-U0-G2	12481	118	B2-U0-G2				
			III-W	9633	91	B2-U0-G2	10399	98	B2-U0-G2	10946	104	B2-U0-G2	11494	109	B2-U0-G2				
			IV	10433	99	B2-U0-G2	11262	107	B2-U0-G2	11855	112	B2-U0-G2	12448	118	B2-U0-G2				
			IV-FT	9346	89	B2-U0-G2	10090	96	B2-U0-G2	10621	101	B2-U0-G2	11152	106	B2-U0-G3				
			VSQ-N	10876	103	B3-U0-G1	11741	111	B3-U0-G1	12359	117	B3-U0-G1	12977	123	B3-U0-G1				
			VSQ-M	10769	102	B4-U0-G2	11626	110	B4-U0-G2	12238	116	B4-U0-G2	12850	122	B4-U0-G2				
			VSQ-W	10298	98	B4-U0-G2	11117	105	B4-U0-G2	11703	111	B4-U0-G2	12287	116	B4-U0-G3				
			II-HS	7562	72	B1-U0-G2	8164	77	B1-U0-G2	8594	81	B1-U0-G2	9023	85	B1-U0-G2				
			II-FR-HS	7649	72	B1-U0-G1	8257	78	B1-U0-G1	8692	82	B1-U0-G1	9127	86	B1-U0-G1				
			III-M-HS	7697	73	B1-U0-G2	8310	79	B1-U0-G2	8747	83	B1-U0-G2	9184	87	B1-U0-G2				
			III-W-HS	7471	71	B1-U0-G2	8065	76	B1-U0-G2	8490	80	B1-U0-G2	8914	84	B1-U0-G2				
			IV-HS	8006	76	B1-U0-G2	8643	82	B1-U0-G2	9098	86	B1-U0-G2	9553	90	B1-U0-G2				
			IV-FT-HS	7454	71	B1-U0-G2	8047	76	B1-U0-G2	8471	80	B1-U0-G2	8894	84	B1-U0-G2				
			48	875	132.0	II	12004	91	B2-U0-G2	12959	98	B2-U0-G2	13641	103	B2-U0-G2	14323	109	B3-U0-G2	
II-FR	11926	90				B2-U0-G1	12874	98	B3-U0-G1	13552	103	B3-U0-G1	14229	108	B3-U0-G2				
III-M	12260	93				B2-U0-G2	13235	100	B2-U0-G2	13931	106	B2-U0-G2	14628	111	B2-U0-G2				
III-W	11289	86				B2-U0-G2	12187	92	B2-U0-G3	12829	97	B2-U0-G3	13470	102	B2-U0-G3				
IV	12227	93				B2-U0-G2	13199	100	B2-U0-G2	13894	105	B2-U0-G2	14589	111	B2-U0-G2				
IV-FT	10954	83				B2-U0-G3	11825	90	B2-U0-G3	12447	94	B2-U0-G3	13070	99	B2-U0-G3				
VSQ-N	12746	97				B3-U0-G1	13760	104	B3-U0-G1	14485	110	B3-U0-G1	15209	115	B3-U0-G1				
VSQ-M	12622	96				B4-U0-G2	13625	103	B4-U0-G2	14343	109	B4-U0-G2	15059	114	B4-U0-G2				
VSQ-W	12070	91				B4-U0-G3	13030	99	B4-U0-G3	13715	104	B4-U0-G3	14401	109	B4-U0-G3				
II-HS	8863	67				B1-U0-G2	9568	72	B1-U0-G2	10071	76	B1-U0-G2	10575	80	B1-U0-G2				
II-FR-HS	8965	68				B1-U0-G1	9678	73	B1-U0-G1	10187	77	B1-U0-G1	10696	81	B1-U0-G1				
III-M-HS	9021	68				B1-U0-G2	9738	74	B1-U0-G2	10251	78	B1-U0-G2	10763	82	B1-U0-G2				
III-W-HS	8756	66				B1-U0-G2	9452	72	B1-U0-G2	9950	75	B1-U0-G3	10447	79	B1-U0-G3				
IV-HS	9383	71				B1-U0-G2	10130	77	B1-U0-G2	10663	81	B1-U0-G2	11196	85	B1-U0-G2				
IV-FT-HS	8736	66				B1-U0-G2	9431	71	B1-U0-G3	9927	75	B1-U0-G3	10423	79	B1-U0-G3				

IES File downloads for this product can be found at www.usaltg.com/downloads/asr.html

SHW SERIES - LED

PHOTOMETRIC DATA GUIDE - LUMEN TABLES (SHW28-PLD-NL)

SHW28-PLD-NL (NO LENS)																			
LED Count	Drive Current (mA)	System Watts	Dist'n Type	27K (2700K - 70CRI)			30K (3000K - 70CRI)			40K (4000K - 70CRI)			50K (5000K - 70CRI)			System Watts	TRA (590nm)		
				LUMENS	LPW	BUG RATING	LUMENS	LPW	BUG RATING	LUMENS	LPW	BUG RATING	LUMENS	LPW	BUG RATING		LUMENS	LPW	BUG RATING
80	350	88.0	II	8601	98	B2-U0-G2	9285	106	B2-U0-G2	9773	111	B2-U0-G2	10262	117	B2-U0-G2	67.0	3186	48	B1-U0-G1
			II-FR	8545	97	B2-U0-G1	9224	105	B2-U0-G1	9710	110	B2-U0-G1	10195	116	B2-U0-G1		3165	47	B1-U0-G1
			III-M	8784	100	B2-U0-G2	9482	108	B2-U0-G2	9982	113	B2-U0-G2	10481	119	B2-U0-G2		3254	49	B1-U0-G1
			III-W	8089	92	B1-U0-G2	8732	99	B2-U0-G2	9192	104	B2-U0-G2	9651	110	B2-U0-G2		2996	45	B1-U0-G1
			IV	8760	100	B2-U0-G2	9457	107	B2-U0-G2	9955	113	B2-U0-G2	10453	119	B2-U0-G2		3245	48	B1-U0-G1
			IV-FT	7848	89	B1-U0-G2	8472	96	B2-U0-G2	8918	101	B2-U0-G2	9364	106	B2-U0-G2		2907	43	B1-U0-G1
			VSQ-N	9133	104	B3-U0-G1	9859	112	B3-U0-G1	10378	118	B3-U0-G1	10897	124	B3-U0-G1		3383	50	B2-U0-G0
			VSQ-M	9043	103	B3-U0-G2	9762	111	B3-U0-G2	10276	117	B3-U0-G2	10790	123	B4-U0-G2		3350	50	B2-U0-G1
			VSQ-W	8648	98	B4-U0-G2	9335	106	B4-U0-G2	9827	112	B4-U0-G2	10318	117	B4-U0-G2		3203	48	B2-U0-G1
			II-HS	6350	72	B1-U0-G2	6855	78	B1-U0-G2	7216	82	B1-U0-G2	7577	86	B1-U0-G2		2352	35	B0-U0-G1
			II-FR-HS	6423	73	B1-U0-G1	6934	79	B1-U0-G1	7299	83	B1-U0-G1	7664	87	B1-U0-G1		2379	36	B0-U0-G0
			III-M-HS	6463	73	B1-U0-G2	6977	79	B1-U0-G2	7345	83	B1-U0-G2	7712	88	B1-U0-G2		2394	36	B0-U0-G1
			III-W-HS	6273	71	B1-U0-G2	6772	77	B1-U0-G2	7129	81	B1-U0-G2	7485	85	B1-U0-G2		2324	35	B0-U0-G1
			IV-HS	6723	76	B1-U0-G2	7258	82	B1-U0-G2	7640	87	B1-U0-G2	8022	91	B1-U0-G2		2490	37	B0-U0-G1
			IV-FT-HS	6259	71	B1-U0-G2	6757	77	B1-U0-G2	7113	81	B1-U0-G2	7468	85	B1-U0-G2		2319	35	B0-U0-G1
			80	525	132.0	II	12385	94	B2-U0-G2	13370	101	B2-U0-G2	14074	107	B3-U0-G2		14777	112	B3-U0-G2
II-FR	12304	93				B2-U0-G1	13283	101	B3-U0-G1	13982	106	B3-U0-G2	14681	111	B3-U0-G2	3719	37	B1-U0-G1	
III-M	12649	96				B2-U0-G2	13655	103	B2-U0-G2	14374	109	B2-U0-G2	15092	114	B2-U0-G2	3823	38	B1-U0-G1	
III-W	11648	88				B2-U0-G3	12574	95	B2-U0-G3	13236	100	B2-U0-G3	13898	105	B2-U0-G3	3521	35	B1-U0-G1	
IV	12615	96				B2-U0-G2	13618	103	B2-U0-G2	14335	109	B2-U0-G2	15052	114	B3-U0-G2	3813	38	B1-U0-G1	
IV-FT	11302	86				B2-U0-G3	12200	92	B2-U0-G3	12843	97	B2-U0-G3	13485	102	B2-U0-G3	3416	34	B1-U0-G1	
VSQ-N	13151	100				B3-U0-G1	14197	108	B3-U0-G1	14944	113	B3-U0-G1	15691	119	B4-U0-G1	3975	39	B2-U0-G1	
VSQ-M	13022	99				B4-U0-G2	14058	106	B4-U0-G2	14798	112	B4-U0-G2	15538	118	B4-U0-G2	3937	39	B2-U0-G1	
VSQ-W	12453	94				B4-U0-G3	13443	102	B4-U0-G3	14151	107	B4-U0-G3	14858	113	B4-U0-G3	3764	37	B3-U0-G1	
II-HS	9144	69				B1-U0-G2	9872	75	B1-U0-G2	10392	79	B1-U0-G2	10911	83	B1-U0-G2	2764	27	B0-U0-G1	
II-FR-HS	9249	70				B1-U0-G1	9985	76	B1-U0-G1	10511	80	B1-U0-G1	11036	84	B1-U0-G2	2796	28	B0-U0-G0	
III-M-HS	9307	71				B1-U0-G2	10047	76	B1-U0-G2	10577	80	B1-U0-G2	11105	84	B1-U0-G2	2813	28	B0-U0-G1	
III-W-HS	9034	68				B1-U0-G2	9752	74	B1-U0-G2	10266	78	B1-U0-G3	10779	82	B1-U0-G3	2731	27	B0-U0-G1	
IV-HS	9681	73				B1-U0-G2	10451	79	B1-U0-G2	11001	83	B1-U0-G2	11551	88	B1-U0-G2	2926	29	B0-U0-G1	
IV-FT-HS	9013	68				B1-U0-G2	9730	74	B1-U0-G3	10242	78	B1-U0-G3	10755	81	B1-U0-G3	2725	27	B0-U0-G1	
80	700	174.0				II	15705	90	B3-U0-G3	16954	97	B3-U0-G3	17846	103	B3-U0-G3	18739	108	B3-U0-G3	N/A
			II-FR	15602	90	B3-U0-G2	16844	97	B3-U0-G2	17730	102	B3-U0-G2	18617	107	B3-U0-G2				
			III-M	16039	92	B3-U0-G3	17315	100	B3-U0-G3	18226	105	B3-U0-G3	19138	110	B3-U0-G3				
			III-W	14770	85	B2-U0-G3	15945	92	B2-U0-G3	16784	96	B2-U0-G3	17623	101	B3-U0-G3				
			IV	15997	92	B3-U0-G3	17269	99	B3-U0-G3	18178	104	B3-U0-G3	19087	110	B3-U0-G3				
			IV-FT	14331	82	B2-U0-G3	15471	89	B2-U0-G3	16285	94	B2-U0-G3	17099	98	B3-U0-G3				
			VSQ-N	16676	96	B4-U0-G2	18003	103	B4-U0-G2	18950	109	B4-U0-G2	19898	114	B4-U0-G2				
			VSQ-M	16513	95	B4-U0-G2	17826	102	B4-U0-G2	18764	108	B4-U0-G2	19703	113	B4-U0-G2				
			VSQ-W	15790	91	B4-U0-G3	17046	98	B5-U0-G3	17944	103	B5-U0-G3	18841	108	B5-U0-G3				
			II-HS	11595	67	B1-U0-G2	12518	72	B1-U0-G2	13177	76	B1-U0-G3	13835	80	B1-U0-G3				
			II-FR-HS	11728	67	B1-U0-G2	12661	73	B1-U0-G2	13328	77	B1-U0-G2	13994	80	B1-U0-G2				
			III-M-HS	11802	68	B1-U0-G3	12741	73	B1-U0-G3	13411	77	B1-U0-G3	14082	81	B1-U0-G3				
			III-W-HS	11455	66	B1-U0-G3	12366	71	B1-U0-G3	13017	75	B1-U0-G3	13668	79	B1-U0-G3				
			IV-HS	12276	71	B1-U0-G2	13253	76	B1-U0-G3	13950	80	B1-U0-G3	14648	84	B1-U0-G3				
			IV-FT-HS	11430	66	B1-U0-G3	12339	71	B1-U0-G3	12988	75	B1-U0-G3	13637	78	B1-U0-G3				
			80	875	220.0	II	18405	84	B3-U0-G3	19869	90	B3-U0-G3	20915	95	B3-U0-G3	21961	100	B3-U0-G3	
II-FR	18286	83				B3-U0-G2	19740	90	B3-U0-G2	20779	94	B3-U0-G2	21818	99	B3-U0-G2				
III-M	18797	85				B3-U0-G3	20293	92	B3-U0-G3	21361	97	B3-U0-G3	22428	102	B3-U0-G3				
III-W	17310	79				B2-U0-G3	18687	85	B3-U0-G4	19670	89	B3-U0-G4	20654	94	B3-U0-G4				
IV	18747	85				B3-U0-G3	20238	92	B3-U0-G3	21304	97	B3-U0-G3	22369	102	B3-U0-G3				
IV-FT	16795	76				B3-U0-G3	18131	82	B3-U0-G4	19085	87	B3-U0-G4	20039	91	B3-U0-G4				
VSQ-N	19544	89				B4-U0-G2	21099	96	B4-U0-G2	22209	101	B4-U0-G2	23320	106	B4-U0-G2				
VSQ-M	19352	88				B4-U0-G2	20892	95	B5-U0-G3	21991	100	B5-U0-G3	23091	105	B5-U0-G3				
VSQ-W	18506	84				B5-U0-G3	19978	91	B5-U0-G3	21030	96	B5-U0-G3	22082	100	B5-U0-G3				
II-HS	13589	62				B1-U0-G3	14670	67	B1-U0-G3	15442	70	B1-U0-G3	16214	74	B1-U0-G3				
II-FR-HS	13745	62				B1-U0-G2	14839	67	B1-U0-G2	15620	71	B1-U0-G2	16400	75	B1-U0-G2				
III-M-HS	13832	63				B1-U0-G3	14932	68	B1-U0-G3	15718	71	B1-U0-G3	16503	75	B1-U0-G3				
III-W-HS	13425	61				B1-U0-G3	14493	66	B1-U0-G3	15255	69	B1-U0-G4	16018	73	B1-U0-G4				
IV-HS	14388	65				B1-U0-G3	15532	71	B1-U0-G3	16350	74	B1-U0-G3	17167	78	B1-U0-G3				
IV-FT-HS	13395	61				B1-U0-G3	14460	66	B1-U0-G4	15221	69	B1-U0-G4	15982	73	B1-U0-G4				

IES File downloads for this product can be found at www.usaltg.com/downloads/asr.html

SHW SERIES - LED

PHOTOMETRIC DATA GUIDE - LUMEN TABLES (SHW28-PLD-CPA)

SHW28-PLD-CPA																			
LED Count	Drive Current (mA)	System Watts	Dist'n Type	27K (2700K - 70CRI)			30K (3000K - 70CRI)			40K (4000K - 70CRI)			50K (5000K - 70CRI)			System Watts	TRA (590nm)		
				LUMENS	LPW	BUG RATING	LUMENS	LPW	BUG RATING	LUMENS	LPW	BUG RATING	LUMENS	LPW	BUG RATING		LUMENS	LPW	BUG RATING
36	350	39.6	II	3913	99	B1-U3-G1	4224	107	B1-U3-G1	4446	112	B1-U3-G1	4668	118	B1-U3-G1	30.5	1449	47	B1-U2-G1
			II-FR	3882	98	B1-U3-G1	4191	106	B1-U3-G1	4411	111	B1-U3-G1	4632	117	B1-U3-G1		1438	47	B0-U3-G1
			III-M	4003	101	B1-U3-G1	4322	109	B1-U3-G1	4549	115	B1-U3-G1	4776	121	B1-U3-G1		1482	49	B1-U2-G1
			III-W	3687	93	B1-U3-G2	3981	101	B1-U3-G2	4191	106	B1-U3-G2	4400	111	B1-U3-G2		1365	45	B0-U2-G1
			IV	3990	101	B1-U3-G1	4308	109	B1-U3-G1	4534	115	B1-U3-G1	4761	120	B1-U3-G1		1478	48	B1-U2-G1
			IV-FT	3581	90	B1-U3-G2	3865	98	B1-U3-G2	4069	103	B1-U3-G2	4272	108	B1-U3-G2		1326	43	B0-U2-G1
			VSQ-N	4153	105	B2-U3-G1	4484	113	B2-U3-G1	4720	119	B2-U3-G1	4956	125	B2-U3-G1		1538	50	B1-U2-G1
			VSQ-M	4123	104	B2-U3-G1	4451	112	B3-U3-G1	4685	118	B3-U3-G1	4919	124	B3-U3-G1		1527	50	B1-U2-G1
			VSQ-W	3953	100	B3-U3-G2	4266	108	B3-U3-G2	4490	113	B3-U3-G2	4714	119	B3-U3-G2		1464	48	B1-U2-G1
			II-HS	2891	73	B1-U3-G1	3121	79	B1-U3-G1	3285	83	B1-U3-G1	3449	87	B1-U3-G1		1071	35	B0-U2-G1
			II-FR-HS	2921	74	B0-U3-G1	3153	80	B0-U3-G1	3319	84	B0-U3-G1	3485	88	B1-U3-G1		1081	35	B0-U2-G1
			III-M-HS	2943	74	B1-U3-G1	3177	80	B1-U3-G1	3344	84	B1-U3-G1	3511	89	B1-U3-G1		1090	36	B0-U2-G1
			III-W-HS	2861	72	B1-U3-G2	3088	78	B1-U3-G2	3251	82	B1-U3-G2	3413	86	B1-U3-G2		1060	35	B0-U2-G1
			IV-HS	3060	77	B1-U3-G1	3304	83	B1-U3-G1	3478	88	B1-U3-G1	3652	92	B1-U3-G1		1134	37	B0-U2-G1
			IV-FT-HS	2854	72	B1-U3-G1	3080	78	B1-U3-G2	3242	82	B1-U3-G2	3404	86	B1-U3-G2		1058	35	B0-U2-G1
			36	525	59.4	II	5634	95	B1-U3-G1	6082	102	B2-U3-G1	6402	108	B2-U3-G2		6722	113	B2-U3-G2
II-FR	5590	94				B1-U3-G1	6035	102	B1-U3-G1	6352	107	B1-U3-G1	6670	112	B1-U3-G1	1690	37	B1-U3-G1	
III-M	5765	97				B1-U3-G1	6222	105	B1-U3-G2	6550	110	B2-U3-G2	6877	116	B2-U3-G2	1742	38	B1-U2-G1	
III-W	5310	89				B1-U3-G2	5732	97	B1-U3-G2	6034	102	B1-U3-G2	6335	107	B1-U3-G2	1604	35	B0-U2-G1	
IV	5746	97				B1-U3-G1	6202	104	B2-U3-G2	6529	110	B2-U3-G2	6855	115	B2-U3-G2	1736	38	B1-U2-G1	
IV-FT	5156	87				B1-U3-G2	5566	94	B1-U3-G2	5859	99	B1-U3-G2	6152	104	B1-U3-G2	1558	34	B0-U2-G1	
VSQ-N	5980	101				B2-U3-G1	6456	109	B2-U3-G1	6796	114	B2-U3-G1	7135	120	B2-U3-G1	1808	40	B1-U3-G1	
VSQ-M	5937	100				B3-U3-G1	6409	108	B3-U3-G1	6747	114	B3-U3-G1	7084	119	B3-U3-G1	1794	39	B1-U2-G1	
VSQ-W	5690	96				B3-U3-G2	6144	103	B3-U3-G2	6467	109	B3-U3-G3	6791	114	B3-U3-G3	1720	38	B1-U2-G1	
II-HS	4163	70				B1-U3-G1	4494	76	B1-U3-G1	4730	80	B1-U3-G1	4966	84	B1-U3-G1	1258	28	B0-U2-G1	
II-FR-HS	4207	71				B1-U3-G1	4541	76	B1-U3-G1	4780	80	B1-U3-G1	5019	84	B1-U3-G1	1271	28	B0-U2-G1	
III-M-HS	4238	71				B1-U3-G1	4574	77	B1-U3-G1	4815	81	B1-U3-G2	5055	85	B1-U3-G2	1281	28	B0-U2-G1	
III-W-HS	4120	69				B1-U3-G2	4448	75	B1-U3-G2	4682	79	B1-U3-G2	4916	83	B1-U3-G2	1246	27	B0-U2-G1	
IV-HS	4407	74				B1-U3-G1	4757	80	B1-U3-G1	5007	84	B1-U3-G2	5257	89	B1-U3-G2	1332	29	B0-U2-G1	
IV-FT-HS	4108	69				B1-U3-G2	4436	75	B1-U3-G2	4669	79	B1-U3-G2	4902	83	B1-U3-G2	1242	27	B0-U2-G1	
36	700	79.2				II	7144	90	B2-U3-G2	7712	97	B2-U3-G2	8118	103	B2-U3-G2	8524	108	B2-U3-G2	N/A
			II-FR	7089	90	B2-U3-G1	7653	97	B2-U3-G1	8056	102	B2-U3-G1	8459	107	B2-U3-G1				
			III-M	7309	92	B2-U3-G2	7890	100	B2-U3-G2	8306	105	B2-U3-G2	8721	110	B2-U3-G2				
			III-W	6734	85	B1-U3-G3	7269	92	B1-U3-G3	7651	97	B1-U3-G3	8033	101	B1-U3-G3				
			IV	7286	92	B2-U3-G2	7865	99	B2-U3-G2	8279	105	B2-U3-G2	8693	110	B2-U3-G2				
			IV-FT	6538	83	B1-U3-G3	7058	89	B1-U3-G3	7430	94	B1-U3-G3	7801	98	B1-U3-G3				
			VSQ-N	7582	96	B2-U3-G1	8185	103	B2-U3-G1	8617	109	B3-U3-G1	9049	114	B3-U3-G1				
			VSQ-M	7531	95	B3-U3-G1	8129	103	B3-U3-G2	8557	108	B3-U3-G2	8985	113	B3-U3-G2				
			VSQ-W	7218	91	B3-U3-G3	7791	98	B3-U3-G3	8201	104	B3-U3-G3	8612	109	B3-U3-G3				
			II-HS	5279	67	B1-U3-G2	5698	72	B1-U3-G2	5999	76	B1-U3-G2	6299	80	B1-U3-G2				
			II-FR-HS	5335	67	B1-U3-G1	5759	73	B1-U3-G1	6062	77	B1-U3-G1	6365	80	B1-U3-G1				
			III-M-HS	5374	68	B1-U3-G2	5800	73	B1-U3-G2	6105	77	B1-U3-G2	6411	81	B1-U3-G2				
			III-W-HS	5225	66	B1-U3-G2	5640	71	B1-U3-G2	5936	75	B1-U3-G2	6233	79	B1-U3-G3				
			IV-HS	5588	71	B1-U3-G2	6032	76	B1-U3-G2	6350	80	B1-U3-G2	6668	84	B1-U3-G2				
			IV-FT-HS	5211	66	B1-U3-G2	5625	71	B1-U3-G2	5921	75	B1-U3-G2	6217	78	B1-U3-G2				
			36	875	99.0	II	8373	85	B2-U3-G2	9038	91	B2-U3-G2	9515	96	B2-U3-G2	9990	101	B2-U3-G2	
II-FR	8309	84				B2-U3-G1	8969	91	B2-U3-G2	9441	95	B2-U3-G2	9913	100	B2-U3-G2				
III-M	8566	87				B2-U3-G2	9247	93	B2-U3-G2	9734	98	B2-U3-G2	10221	103	B2-U3-G2				
III-W	7891	80				B1-U3-G3	8518	86	B2-U3-G3	8967	91	B2-U3-G3	9415	95	B2-U3-G3				
IV	8539	86				B2-U3-G2	9218	93	B2-U3-G2	9704	98	B2-U3-G2	10189	103	B2-U3-G2				
IV-FT	7663	77				B1-U3-G3	8271	84	B1-U3-G3	8707	88	B2-U3-G3	9143	92	B2-U3-G3				
VSQ-N	8888	90				B3-U3-G1	9594	97	B3-U3-G1	10100	102	B3-U3-G2	10605	107	B3-U3-G2				
VSQ-M	8824	89				B3-U3-G2	9526	96	B3-U3-G2	10027	101	B3-U3-G2	10528	106	B3-U3-G2				
VSQ-W	8457	85				B3-U3-G3	9129	92	B4-U3-G3	9610	97	B4-U3-G3	10090	102	B4-U3-G3				
II-HS	6186	62				B1-U3-G2	6679	67	B1-U3-G2	7030	71	B1-U3-G2	7381	75	B1-U3-G2				
II-FR-HS	6252	63				B1-U3-G1	6749	68	B1-U3-G1	7104	72	B1-U3-G1	7459	75	B1-U3-G1				
III-M-HS	6297	64				B1-U3-G2	6797	69	B1-U3-G2	7155	72	B1-U3-G2	7513	76	B1-U3-G2				
III-W-HS	6122	62				B1-U3-G2	6609	67	B1-U3-G3	6957	70	B1-U3-G3	7305	74	B1-U3-G3				
IV-HS	6549	66				B1-U3-G2	7069	71	B1-U3-G2	7442	75	B1-U3-G2	7814	79	B1-U3-G2				
IV-FT-HS	6107	62				B1-U3-G2	6592	67	B1-U3-G3	6939	70	B1-U3-G3	7285	74	B1-U3-G3				

IES File downloads for this product can be found at www.usaltg.com/downloads/asr.html

SHW SERIES - LED

PHOTOMETRIC DATA GUIDE - LUMEN TABLES (SHW28-PLD-CPA)

SHW28-PLD-CPA																			
LED Count	Drive Current (mA)	System Watts	Dist'n Type	27K (2700K - 70CRI)			30K (3000K - 70CRI)			40K (4000K - 70CRI)			50K (5000K - 70CRI)			System Watts	TRA (590nm)		
				LUMENS	LPW	BUG RATING	LUMENS	LPW	BUG RATING	LUMENS	LPW	BUG RATING	LUMENS	LPW	BUG RATING		LUMENS	LPW	BUG RATING
48	350	52.8	II	5217	99	B1-U3-G1	5632	107	B1-U3-G1	5928	112	B2-U3-G1	6224	118	B2-U3-G2	40.7	1932	47	B1-U3-G1
			II-FR	5176	98	B1-U3-G1	5588	106	B1-U3-G1	5882	111	B1-U3-G1	6176	117	B1-U3-G1		1918	47	B1-U3-G1
			III-M	5337	101	B1-U3-G1	5762	109	B1-U3-G1	6065	115	B1-U3-G2	6368	121	B2-U3-G2		1977	49	B1-U3-G1
			III-W	4917	93	B1-U3-G2	5308	101	B1-U3-G2	5587	106	B1-U3-G2	5866	111	B1-U3-G2		1821	45	B1-U2-G1
			IV	5320	101	B1-U3-G1	5743	109	B1-U3-G1	6045	114	B1-U3-G1	6348	120	B2-U3-G2		1971	48	B1-U3-G1
			IV-FT	4774	90	B1-U3-G2	5154	98	B1-U3-G2	5425	103	B1-U3-G2	5696	108	B1-U3-G2		1768	43	B0-U2-G1
			VSQ-N	5538	105	B2-U3-G1	5978	113	B2-U3-G1	6293	119	B2-U3-G1	6607	125	B2-U3-G1		2052	50	B1-U3-G1
			VSQ-M	5498	104	B3-U3-G1	5935	112	B3-U3-G1	6247	118	B3-U3-G1	6559	124	B3-U3-G1		2036	50	B1-U2-G1
			VSQ-W	5269	100	B3-U3-G2	5688	108	B3-U3-G2	5988	113	B3-U3-G2	6287	119	B3-U3-G2		1953	48	B2-U2-G1
			II-HS	3855	73	B1-U3-G1	4161	79	B1-U3-G1	4380	83	B1-U3-G1	4599	87	B1-U3-G1		1428	35	B0-U2-G1
			II-FR-HS	3895	74	B1-U3-G1	4205	80	B1-U3-G1	4426	84	B1-U3-G1	4647	88	B1-U3-G1		1443	35	B0-U2-G1
			III-M-HS	3923	74	B1-U3-G1	4236	80	B1-U3-G1	4458	84	B1-U3-G1	4681	89	B1-U3-G2		1453	36	B0-U2-G1
			III-W-HS	3815	72	B1-U3-G2	4118	78	B1-U3-G2	4335	82	B1-U3-G2	4551	86	B1-U3-G2		1413	35	B0-U2-G1
			IV-HS	4081	77	B1-U3-G1	4405	83	B1-U3-G1	4637	88	B1-U3-G1	4868	92	B1-U3-G1		1511	37	B0-U2-G1
IV-FT-HS	3804	72	B1-U3-G2	4107	78	B1-U3-G2	4323	82	B1-U3-G2	4540	86	B1-U3-G2	1410	35	B0-U2-G1				
48	525	79.2	II	7512	95	B2-U3-G2	8108	102	B2-U3-G2	8536	108	B2-U3-G2	8962	113	B2-U3-G2	61.0	2270	37	B1-U3-G1
			II-FR	7454	94	B2-U3-G1	8047	102	B2-U3-G1	8471	107	B2-U3-G1	8894	112	B2-U3-G1		2253	37	B1-U3-G1
			III-M	7685	97	B2-U3-G2	8296	105	B2-U3-G2	8733	110	B2-U3-G2	9169	116	B2-U3-G2		2323	38	B1-U3-G1
			III-W	7080	89	B1-U3-G3	7642	96	B1-U3-G3	8045	102	B1-U3-G3	8447	107	B2-U3-G3		2140	35	B1-U3-G1
			IV	7661	97	B2-U3-G2	8270	104	B2-U3-G2	8705	110	B2-U3-G2	9141	115	B2-U3-G2		2316	38	B1-U3-G1
			IV-FT	6875	87	B1-U3-G3	7422	94	B1-U3-G3	7812	99	B1-U3-G3	8202	104	B1-U3-G3		2077	34	B1-U2-G1
			VSQ-N	7973	101	B2-U3-G1	8609	109	B3-U3-G1	9062	114	B3-U3-G1	9514	120	B3-U3-G1		2410	40	B1-U3-G1
			VSQ-M	7917	100	B3-U3-G2	8547	108	B3-U3-G2	8997	114	B3-U3-G2	9446	119	B3-U3-G2		2392	39	B2-U3-G1
			VSQ-W	7588	96	B3-U3-G3	8192	103	B3-U3-G3	8623	109	B3-U3-G3	9053	114	B3-U3-G3		2293	38	B2-U2-G1
			II-HS	5550	70	B1-U3-G2	5992	76	B1-U3-G2	6307	80	B1-U3-G2	6622	84	B1-U3-G2		1677	27	B0-U2-G1
			II-FR-HS	5609	71	B1-U3-G1	6055	76	B1-U3-G1	6374	80	B1-U3-G1	6693	85	B1-U3-G1		1695	28	B0-U3-G1
			III-M-HS	5650	71	B1-U3-G2	6099	77	B1-U3-G2	6420	81	B1-U3-G2	6741	85	B1-U3-G2		1707	28	B0-U2-G1
			III-W-HS	5493	69	B1-U3-G2	5930	75	B1-U3-G2	6242	79	B1-U3-G3	6554	83	B1-U3-G3		1660	27	B0-U2-G1
			IV-HS	5875	74	B1-U3-G2	6343	80	B1-U3-G2	6677	84	B1-U3-G2	7010	89	B1-U3-G2		1776	29	B0-U2-G1
IV-FT-HS	5478	69	B1-U3-G2	5915	75	B1-U3-G2	6226	79	B1-U3-G2	6536	83	B1-U3-G3	1656	27	B0-U2-G1				
48	700	105.6	II	9526	90	B2-U3-G2	10283	97	B2-U3-G2	10825	103	B2-U3-G2	11366	108	B2-U3-G2	N/A	N/A		
			II-FR	9453	90	B2-U3-G2	10205	97	B2-U3-G2	10742	102	B2-U3-G2	11278	107	B2-U3-G2				
			III-M	9745	92	B2-U3-G2	10520	100	B2-U3-G2	11074	105	B2-U3-G2	11628	110	B2-U3-G2				
			III-W	8978	85	B2-U3-G3	9691	92	B2-U3-G3	10202	97	B2-U3-G3	10712	101	B2-U3-G3				
			IV	9714	92	B2-U3-G2	10487	99	B2-U3-G2	11039	105	B2-U3-G2	11591	110	B2-U3-G2				
			IV-FT	8717	83	B2-U3-G3	9410	89	B2-U3-G3	9906	94	B2-U3-G3	10401	98	B2-U3-G3				
			VSQ-N	10111	96	B3-U3-G2	10915	103	B3-U3-G2	11489	109	B3-U3-G2	12064	114	B3-U3-G2				
			VSQ-M	10039	95	B3-U3-G2	10837	103	B3-U3-G2	11409	108	B4-U3-G2	11979	113	B4-U3-G2				
			VSQ-W	9623	91	B4-U3-G3	10388	98	B4-U3-G3	10935	104	B4-U3-G3	11481	109	B4-U3-G3				
			II-HS	7038	67	B1-U3-G2	7598	72	B1-U3-G2	7998	76	B1-U3-G2	8398	80	B1-U3-G2				
			II-FR-HS	7113	67	B1-U3-G1	7679	73	B1-U3-G1	8083	77	B1-U3-G1	8487	80	B1-U3-G1				
			III-M-HS	7164	68	B1-U3-G2	7734	73	B1-U3-G2	8141	77	B1-U3-G2	8548	81	B1-U3-G2				
			III-W-HS	6965	66	B1-U3-G3	7519	71	B1-U3-G3	7915	75	B1-U3-G3	8311	79	B1-U3-G3				
			IV-HS	7450	71	B1-U3-G2	8043	76	B1-U3-G2	8467	80	B1-U3-G2	8890	84	B1-U3-G2				
IV-FT-HS	6947	66	B1-U3-G3	7500	71	B1-U3-G3	7895	75	B1-U3-G3	8289	78	B1-U3-G3							
48	875	132.0	II	11164	85	B2-U3-G2	12052	91	B2-U3-G2	12686	96	B3-U3-G3	13320	101	B3-U3-G3	N/A	N/A		
			II-FR	11078	84	B2-U3-G2	11959	91	B2-U3-G2	12589	95	B2-U3-G2	13218	100	B2-U3-G2				
			III-M	11422	87	B2-U3-G2	12330	93	B2-U3-G2	12979	98	B2-U3-G2	13628	103	B2-U3-G2				
			III-W	10521	80	B2-U3-G3	11358	86	B2-U3-G3	11956	91	B2-U3-G3	12554	95	B2-U3-G3				
			IV	11385	86	B2-U3-G2	12291	93	B2-U3-G2	12938	98	B2-U3-G2	13584	103	B2-U3-G2				
			IV-FT	10216	77	B2-U3-G3	11028	84	B2-U3-G3	11609	88	B2-U3-G3	12190	92	B2-U3-G3				
			VSQ-N	11851	90	B3-U3-G2	12793	97	B3-U3-G2	13467	102	B3-U3-G2	14140	107	B3-U3-G2				
			VSQ-M	11765	89	B4-U3-G2	12701	96	B4-U3-G2	13370	101	B4-U3-G2	14038	106	B4-U3-G2				
			VSQ-W	11276	85	B4-U3-G3	12173	92	B4-U3-G3	12813	97	B4-U3-G3	13454	102	B4-U3-G3				
			II-HS	8249	62	B1-U3-G2	8905	67	B1-U3-G2	9374	71	B1-U3-G2	9842	75	B1-U3-G2				
			II-FR-HS	8335	63	B1-U3-G1	8999	68	B1-U3-G1	9472	72	B1-U3-G1	9946	75	B1-U3-G1				
			III-M-HS	8395	64	B1-U3-G2	9063	69	B1-U3-G2	9541	72	B1-U3-G2	10018	76	B1-U3-G2				
			III-W-HS	8163	62	B1-U3-G3	8812	67	B1-U3-G3	9277	70	B1-U3-G3	9740	74	B1-U3-G3				
			IV-HS	8732	66	B1-U3-G2	9426	71	B1-U3-G2	9922	75	B1-U3-G2	10419	79	B1-U3-G2				
IV-FT-HS	8141	62	B1-U3-G3	8789	67	B1-U3-G3	9252	70	B1-U3-G3	9715	74	B1-U3-G3							

IES File downloads for this product can be found at www.usaltg.com/downloads/asr.html

SHW SERIES - LED

PHOTOMETRIC DATA GUIDE - LUMEN TABLES (SHW28-PLD-CPA)

SHW28-PLD-CPA																				
LED Count	Drive Current (mA)	System Watts	Dist'n Type	27K (2700K - 70CRI)			30K (3000K - 70CRI)			40K (4000K - 70CRI)			50K (5000K - 70CRI)			System Watts	TRA (590nm)			
				LUMENS	LPW	BUG RATING	LUMENS	LPW	BUG RATING	LUMENS	LPW	BUG RATING	LUMENS	LPW	BUG RATING		LUMENS	LPW	BUG RATING	
80	350	88.0	II	7999	91	B2-U3-G2	8634	98	B2-U3-G2	9089	103	B2-U3-G2	9544	108	B2-U3-G2	67.0	2963	44	B1-U3-G1	
			II-FR	7937	90	B2-U3-G1	8568	97	B2-U3-G1	9020	102	B2-U3-G2	9470	108	B2-U3-G2		2940	44	B1-U3-G1	
			III-M	8183	93	B2-U3-G2	8834	100	B2-U3-G2	9299	106	B2-U3-G2	9764	111	B2-U3-G2		3031	45	B1-U3-G1	
			III-W	7539	86	B1-U3-G3	8138	92	B1-U3-G3	8567	97	B2-U3-G3	8995	102	B2-U3-G3		2793	42	B1-U3-G1	
			IV	8157	93	B2-U3-G2	8806	100	B2-U3-G2	9270	105	B2-U3-G2	9733	111	B2-U3-G2		3022	45	B1-U3-G1	
			IV-FT	7321	83	B1-U3-G3	7902	90	B1-U3-G3	8318	95	B1-U3-G3	8735	99	B2-U3-G3		2712	40	B1-U3-G1	
			VSQ-N	8491	96	B3-U3-G1	9166	104	B3-U3-G1	9648	110	B3-U3-G1	10130	115	B3-U3-G2		3145	47	B1-U3-G1	
			VSQ-M	8430	96	B3-U3-G2	9101	103	B3-U3-G2	9580	109	B3-U3-G2	10057	114	B3-U3-G2		3123	47	B2-U3-G1	
			VSQ-W	8079	92	B3-U3-G3	8723	99	B3-U3-G3	9181	104	B4-U3-G3	9640	110	B4-U3-G3		2993	45	B2-U3-G2	
			II-HS	5910	67	B1-U3-G2	6380	73	B1-U3-G2	6716	76	B1-U3-G2	7052	80	B1-U3-G2		2189	33	B0-U3-G1	
			II-FR-HS	5972	68	B1-U3-G1	6448	73	B1-U3-G1	6787	77	B1-U3-G1	7126	81	B1-U3-G1		2213	33	B0-U3-G1	
			III-M-HS	6016	68	B1-U3-G2	6495	74	B1-U3-G2	6837	78	B1-U3-G2	7178	82	B1-U3-G2		2229	33	B0-U3-G1	
			III-W-HS	5849	66	B1-U3-G2	6314	72	B1-U3-G3	6647	76	B1-U3-G3	6979	79	B1-U3-G3		2166	32	B0-U2-G1	
			IV-HS	6257	71	B1-U3-G2	6754	77	B1-U3-G2	7110	81	B1-U3-G2	7465	85	B1-U3-G2		2318	35	B0-U3-G1	
			IV-FT-HS	5834	66	B1-U3-G2	6298	72	B1-U3-G2	6630	75	B1-U3-G3	6960	79	B1-U3-G3		2161	32	B0-U2-G1	
			80	525	132.0	II	11518	87	B2-U3-G2	12433	94	B2-U3-G2	13088	99	B3-U3-G3		13743	104	B3-U3-G3	101.0
II-FR	11429	87				B2-U3-G2	12339	93	B2-U3-G2	12988	98	B2-U3-G2	13637	103	B2-U3-G2	3455	34	B1-U3-G1		
III-M	11784	89				B2-U3-G2	12721	96	B2-U3-G2	13391	101	B2-U3-G2	14060	107	B2-U3-G3	3562	35	B1-U3-G1		
III-W	10855	82				B2-U3-G3	11718	89	B2-U3-G3	12335	93	B2-U3-G3	12952	98	B2-U3-G3	3281	32	B1-U3-G2		
IV	11747	89				B2-U3-G2	12681	96	B2-U3-G2	13348	101	B2-U3-G2	14016	106	B2-U3-G2	3551	35	B1-U3-G1		
IV-FT	10541	80				B2-U3-G3	11379	86	B2-U3-G3	11978	91	B2-U3-G3	12577	95	B2-U3-G3	3186	32	B1-U3-G2		
VSQ-N	12227	93				B3-U3-G2	13199	100	B3-U3-G2	13894	105	B3-U3-G2	14588	111	B3-U3-G2	3696	37	B2-U3-G1		
VSQ-M	12138	92				B4-U3-G2	13104	99	B4-U3-G2	13794	104	B4-U3-G2	14484	110	B4-U3-G2	3669	36	B2-U3-G1		
VSQ-W	11636	88				B4-U3-G3	12560	95	B4-U3-G3	13221	100	B4-U3-G3	13883	105	B4-U3-G3	3517	35	B2-U3-G2		
II-HS	8511	64				B1-U3-G2	9187	70	B1-U3-G2	9671	73	B1-U3-G2	10154	77	B1-U3-G2	2573	25	B1-U3-G1		
II-FR-HS	8601	65				B1-U3-G1	9285	70	B1-U3-G1	9773	74	B1-U3-G1	10262	78	B1-U3-G1	2600	26	B0-U3-G1		
III-M-HS	8662	66				B1-U3-G2	9351	71	B1-U3-G2	9844	75	B1-U3-G2	10336	78	B1-U3-G2	2618	26	B0-U3-G1		
III-W-HS	8422	64				B1-U3-G3	9093	69	B1-U3-G3	9572	73	B1-U3-G3	10050	76	B1-U3-G3	2546	25	B0-U3-G1		
IV-HS	9009	68				B1-U3-G2	9726	74	B1-U3-G2	10238	78	B1-U3-G2	10750	81	B1-U3-G2	2723	27	B0-U3-G1		
IV-FT-HS	8400	64				B1-U3-G3	9068	69	B1-U3-G3	9546	72	B1-U3-G3	10023	76	B1-U3-G3	2539	25	B1-U2-G1		
80	700	174.0				II	14607	84	B3-U3-G3	15768	91	B3-U3-G3	16598	95	B3-U3-G3	17428	100	B3-U3-G3	N/A	
			II-FR	14494	83	B3-U4-G2	15647	90	B3-U4-G2	16470	95	B3-U4-G2	17294	99	B3-U4-G2					
			III-M	14943	86	B3-U3-G3	16132	93	B3-U3-G3	16980	98	B3-U3-G3	17830	102	B3-U3-G3					
			III-W	13767	79	B2-U3-G3	14861	85	B2-U3-G4	15643	90	B2-U3-G4	16425	94	B2-U3-G4					
			IV	14896	86	B2-U3-G3	16081	92	B3-U3-G3	16927	97	B3-U3-G3	17773	102	B3-U3-G3					
			IV-FT	13367	77	B2-U3-G3	14430	83	B2-U3-G4	15189	87	B2-U3-G4	15948	92	B2-U3-G4					
			VSQ-N	15504	89	B3-U3-G2	16737	96	B3-U4-G2	17618	101	B4-U4-G2	18498	106	B4-U4-G2					
			VSQ-M	15395	88	B4-U3-G2	16619	96	B4-U3-G2	17494	101	B4-U3-G2	18368	106	B4-U3-G3					
			VSQ-W	14753	85	B4-U3-G4	15928	92	B4-U3-G4	16766	96	B4-U3-G4	17604	101	B4-U3-G4					
			II-HS	10793	62	B2-U3-G2	11651	67	B2-U3-G2	12264	70	B2-U3-G2	12877	74	B2-U3-G2					
			II-FR-HS	10906	63	B1-U3-G2	11774	68	B1-U3-G2	12393	71	B1-U3-G2	13013	75	B1-U3-G2					
			III-M-HS	10985	63	B1-U3-G2	11859	68	B1-U3-G2	12483	72	B1-U3-G2	13106	75	B2-U3-G3					
			III-W-HS	10680	61	B1-U3-G3	11530	66	B1-U3-G3	12137	70	B2-U3-G3	12743	73	B2-U3-G3					
			IV-HS	11425	66	B1-U3-G2	12334	71	B1-U3-G2	12983	75	B1-U3-G2	13631	78	B2-U3-G2					
			IV-FT-HS	10652	61	B1-U3-G3	11500	66	B2-U3-G3	12105	70	B2-U3-G3	12710	73	B2-U3-G3					
			80	875	220.0	II	17118	78	B3-U3-G3	18479	84	B3-U4-G3	19452	88	B3-U4-G3	20423	93	B3-U4-G3		N/A
II-FR	16985	77				B3-U4-G2	18336	83	B3-U4-G2	19301	88	B3-U4-G2	20266	92	B3-U4-G3					
III-M	17513	80				B3-U3-G3	18906	86	B3-U4-G3	19901	90	B3-U4-G3	20895	95	B3-U4-G3					
III-W	16132	73				B2-U3-G4	17415	79	B3-U3-G4	18332	83	B3-U3-G4	19249	87	B3-U3-G4					
IV	17457	79				B3-U3-G3	18845	86	B3-U3-G3	19837	90	B3-U4-G4	20829	95	B3-U4-G3					
IV-FT	15665	71				B2-U3-G4	16911	77	B3-U3-G4	17801	81	B3-U3-G4	18690	85	B3-U3-G4					
VSQ-N	18170	83				B4-U4-G2	19615	89	B4-U4-G2	20647	94	B4-U4-G2	21680	99	B4-U4-G2					
VSQ-M	18039	82				B4-U3-G2	19474	89	B4-U3-G3	20500	93	B4-U3-G3	21525	98	B4-U3-G3					
VSQ-W	17291	79				B4-U3-G4	18666	85	B5-U3-G4	19648	89	B5-U3-G4	20630	94	B5-U3-G4					
II-HS	12648	57				B2-U3-G2	13654	62	B2-U3-G2	14372	65	B2-U3-G3	15090	69	B2-U3-G3					
II-FR-HS	12781	58				B1-U3-G2	13797	63	B1-U3-G2	14524	66	B1-U3-G2	15249	69	B2-U3-G2					
III-M-HS	12873	59				B2-U3-G3	13897	63	B2-U3-G3	14629	66	B2-U3-G3	15359	70	B2-U3-G3					
III-W-HS	12517	57				B2-U3-G3	13513	61	B2-U3-G3	14224	65	B2-U3-G4	14934	68	B2-U3-G4					
IV-HS	13389	61				B2-U3-G2	14453	66	B2-U3-G3	15214	69	B2-U3-G3	15974	73	B2-U3-G3					
IV-FT-HS	12483	57				B2-U3-G3	13476	61	B2-U3-G3	14186	64	B2-U3-G3	14895	68	B2-U3-G4					

IES File downloads for this product can be found at www.usaltg.com/downloads/asr.html

SHW SERIES - LED

PHOTOMETRIC DATA GUIDE - LUMEN TABLES (SHW28-PLED-WPA)

SHW28-PLED-WPA																			
LED Count	Drive Current (mA)	System Watts	Dist'n Type	27K (2700K - 70CRI)			30K (3000K - 70CRI)			40K (4000K - 70CRI)			50K (5000K - 70CRI)			System Watts	TRA (590nm)		
				LUMENS	LPW	BUG RATING	LUMENS	LPW	BUG RATING	LUMENS	LPW	BUG RATING	LUMENS	LPW	BUG RATING		LUMENS	LPW	BUG RATING
36	350	39.6	ASY-N1	2834	72	B1-U3-G2	3059	77	B1-U3-G3	3220	81	B1-U3-G3	3381	85	B1-U3-G3	30.5	1050	34	B0-U3-G1
			ASY-N2	2259	57	B1-U3-G2	2438	62	B1-U3-G2	2566	65	B1-U3-G2	2695	68	B1-U3-G3		837	27	B0-U3-G1
			ASY-W1	3119	79	B1-U3-G2	3367	85	B1-U3-G2	3544	89	B1-U3-G2	3721	94	B1-U4-G2		1155	38	B1-U3-G1
			ASY-W2	2303	58	B1-U3-G2	2486	63	B1-U3-G2	2617	66	B1-U3-G2	2747	69	B1-U3-G2		853	28	B0-U3-G1
			SYM	3270	83	B1-U3-G2	3531	89	B2-U3-G2	3717	94	B2-U4-G2	3903	99	B2-U4-G2		1211	40	B1-U3-G1
36	525	59.4	ASY-N1	4081	69	B1-U4-G3	4405	74	B1-U4-G3	4637	78	B1-U4-G3	4868	82	B1-U4-G3	45.7	1234	27	B1-U3-G1
			ASY-N2	3252	55	B1-U3-G3	3510	59	B1-U3-G3	3696	62	B1-U3-G3	3880	65	B1-U4-G3		983	22	B0-U3-G1
			ASY-W1	4491	76	B1-U4-G3	4848	82	B2-U4-G3	5103	86	B2-U4-G3	5359	90	B2-U4-G3		1358	30	B1-U3-G1
			ASY-W2	3316	56	B1-U3-G3	3579	60	B1-U3-G3	3768	63	B1-U4-G3	3956	67	B1-U4-G3		1002	22	B0-U3-G1
			SYM	4709	79	B2-U4-G3	5084	86	B2-U4-G3	5352	90	B2-U4-G3	5618	95	B2-U4-G3		1424	31	B1-U3-G1
36	700	79.2	ASY-N1	5175	65	B1-U4-G3	5586	71	B2-U4-G3	5880	74	B2-U4-G3	6174	78	B2-U4-G3	N/A	N/A		
			ASY-N2	4124	52	B1-U4-G3	4452	56	B1-U4-G3	4686	59	B1-U4-G3	4921	62	B1-U4-G3				
			ASY-W1	5695	72	B2-U4-G3	6148	78	B2-U4-G3	6471	82	B2-U4-G3	6796	86	B2-U4-G3				
			ASY-W2	4205	53	B1-U4-G3	4539	57	B1-U4-G3	4779	60	B1-U4-G3	5017	63	B1-U4-G3				
			SYM	5972	75	B2-U4-G3	6447	81	B2-U4-G3	6787	86	B3-U4-G3	7126	90	B3-U4-G3				
36	875	99.0	ASY-N1	6065	61	B2-U4-G3	6547	66	B2-U4-G3	6892	70	B2-U4-G4	7236	73	B2-U4-G4	N/A	N/A		
			ASY-N2	4834	49	B1-U4-G3	5218	53	B1-U4-G3	5493	55	B1-U4-G3	5768	58	B1-U4-G3				
			ASY-W1	6674	67	B2-U4-G3	7205	73	B2-U4-G3	7585	77	B2-U5-G3	7964	80	B2-U5-G3				
			ASY-W2	4928	50	B1-U4-G3	5320	54	B1-U4-G3	5600	57	B1-U4-G3	5880	59	B1-U4-G3				
			SYM	6999	71	B3-U4-G3	7556	76	B3-U5-G3	7954	80	B3-U5-G3	8350	84	B3-U5-G3				
48	350	52.8	ASY-N1	3779	72	B1-U3-G3	4079	77	B1-U4-G3	4294	81	B1-U4-G3	4508	85	B1-U4-G3	40.7	1400	34	B1-U3-G2
			ASY-N2	3012	57	B1-U3-G3	3251	62	B1-U3-G3	3422	65	B1-U3-G3	3593	68	B1-U3-G3		1116	27	B0-U3-G1
			ASY-W1	4159	79	B1-U4-G3	4489	85	B1-U4-G3	4726	90	B1-U4-G3	4961	94	B2-U4-G3		1541	38	B1-U3-G1
			ASY-W2	3070	58	B1-U3-G2	3314	63	B1-U3-G3	3489	66	B1-U3-G3	3663	69	B1-U4-G3		1137	28	B0-U3-G1
			SYM	4362	83	B2-U4-G3	4707	89	B2-U4-G3	4956	94	B2-U4-G3	5204	99	B2-U4-G3		1616	40	B1-U3-G1
48	525	79.2	ASY-N1	5441	69	B1-U4-G3	5874	74	B2-U4-G3	6183	78	B2-U4-G3	6492	82	B2-U4-G3	61.0	1644	27	B1-U3-G2
			ASY-N2	4337	55	B1-U4-G3	4681	59	B1-U4-G3	4928	62	B1-U4-G3	5174	65	B1-U4-G3		1311	21	B0-U3-G2
			ASY-W1	5988	76	B2-U4-G3	6464	82	B2-U4-G3	6805	86	B2-U4-G3	7144	90	B2-U4-G3		1810	30	B1-U3-G2
			ASY-W2	4421	56	B1-U4-G3	4773	60	B1-U4-G3	5024	63	B1-U4-G3	5275	67	B1-U4-G3		1336	22	B1-U3-G1
			SYM	6280	79	B2-U4-G3	6779	86	B3-U4-G3	7136	90	B3-U4-G3	7493	95	B3-U5-G3		1898	31	B1-U3-G2
48	700	105.6	ASY-N1	6900	65	B2-U4-G4	7448	71	B2-U4-G4	7840	74	B2-U5-G4	8232	78	B2-U5-G4	N/A	N/A		
			ASY-N2	5499	52	B1-U4-G3	5936	56	B1-U4-G4	6249	59	B1-U4-G4	6561	62	B2-U4-G4				
			ASY-W1	7594	72	B2-U5-G3	8197	78	B2-U5-G3	8629	82	B2-U5-G4	9060	86	B2-U5-G4				
			ASY-W2	5607	53	B1-U4-G3	6052	57	B2-U4-G3	6371	60	B2-U4-G3	6690	63	B2-U4-G3				
			SYM	7964	75	B3-U5-G3	8597	81	B3-U5-G3	9050	86	B3-U5-G3	9502	90	B3-U5-G4				
48	875	132.0	ASY-N1	8086	61	B2-U5-G4	8729	66	B2-U5-G4	9189	70	B2-U5-G4	9648	73	B2-U5-G4	N/A	N/A		
			ASY-N2	6445	49	B2-U4-G4	6958	53	B2-U4-G4	7324	55	B2-U4-G4	7690	58	B2-U5-G4				
			ASY-W1	8899	67	B2-U5-G4	9607	73	B3-U5-G4	10113	77	B3-U5-G4	10618	80	B3-U5-G4				
			ASY-W2	6571	50	B2-U4-G3	7093	54	B2-U4-G3	7467	57	B2-U5-G4	7840	59	B2-U5-G4				
			SYM	9333	71	B3-U5-G3	10076	76	B3-U5-G4	10606	80	B3-U5-G4	11135	84	B3-U5-G4				
80	350	88.0	ASY-N1	5795	66	B2-U4-G3	6254	71	B2-U4-G3	6584	75	B2-U4-G4	6913	79	B2-U4-G4	67.0	2145	32	B1-U3-G2
			ASY-N2	4618	52	B1-U4-G3	4985	57	B1-U4-G3	5248	60	B1-U4-G3	5510	63	B1-U4-G3		1711	26	B1-U3-G2
			ASY-W1	6377	72	B2-U4-G3	6883	78	B2-U4-G3	7246	82	B2-U5-G3	7608	86	B2-U5-G3		2361	35	B1-U3-G2
			ASY-W2	4708	54	B1-U4-G3	5082	58	B1-U4-G3	5350	61	B1-U4-G3	5618	64	B1-U4-G3		1744	26	B1-U3-G2
			SYM	6688	76	B3-U4-G3	7219	82	B3-U4-G3	7599	86	B3-U5-G3	7979	91	B3-U5-G3		2476	37	B1-U3-G2
80	525	132.0	ASY-N1	8343	63	B2-U5-G4	9007	68	B2-U5-G4	9481	72	B2-U5-G4	9955	75	B2-U5-G5	101.0	2521	25	B1-U3-G2
			ASY-N2	6650	50	B2-U4-G4	7179	54	B2-U4-G4	7557	57	B2-U5-G4	7934	60	B2-U5-G4		2010	20	B1-U3-G2
			ASY-W1	9182	70	B2-U5-G4	9913	75	B3-U5-G4	10434	79	B3-U5-G4	10956	83	B3-U5-G4		2775	27	B1-U3-G2
			ASY-W2	6780	51	B2-U4-G3	7319	55	B2-U5-G4	7704	58	B2-U5-G4	8089	61	B2-U5-G4		2049	20	B1-U3-G2
			SYM	9629	73	B3-U5-G4	10395	79	B3-U5-G4	10942	83	B3-U5-G4	11490	87	B3-U5-G4		2910	29	B1-U3-G2
80	700	174.0	ASY-N1	10579	61	B2-U5-G5	11421	66	B3-U5-G5	12022	69	B3-U5-G5	12623	73	B3-U5-G5	N/A	N/A		
			ASY-N2	8432	48	B2-U5-G4	9103	52	B2-U5-G5	9582	55	B2-U5-G5	10061	58	B2-U5-G5				
			ASY-W1	11643	67	B3-U5-G4	12570	72	B3-U5-G5	13231	76	B3-U5-G5	13893	80	B3-U5-G5				
			ASY-W2	8597	49	B2-U5-G4	9281	53	B2-U5-G4	9769	56	B2-U5-G4	10258	59	B2-U5-G4				
			SYM	12210	70	B3-U5-G4	13181	76	B3-U5-G4	13875	80	B3-U5-G4	14568	84	B3-U5-G5				
80	875	220.0	ASY-N1	12398	56	B3-U5-G5	13385	61	B3-U5-G5	14089	64	B3-U5-G5	14793	67	B3-U5-G5	N/A	N/A		
			ASY-N2	9881	45	B2-U5-G5	10667	48	B2-U5-G5	11229	51	B2-U5-G5	11789	54	B2-U5-G5				
			ASY-W1	13645	62	B3-U5-G5	14730	67	B3-U5-G5	15506	70	B3-U5-G5	16281	74	B3-U5-G5				
			ASY-W2	10074	46	B2-U5-G4	10876	49	B2-U5-G4	11448	52	B2-U5-G5	12020	55	B2-U5-G5				
			SYM	14310	65	B3-U5-G5	15448	70	B3-U5-G5	16262	74	B3-U5-G5	17075	78	B4-U5-G5				

IES File downloads for this product can be found at www.usaltg.com/downloads/asr.html