

PENDANT MOUNTED ARM

XBB

PROJECT NAME: _____

PROJECT TYPE: _____

FEATURES

Arm

Durable corrosion resistant, cast aluminum construction.

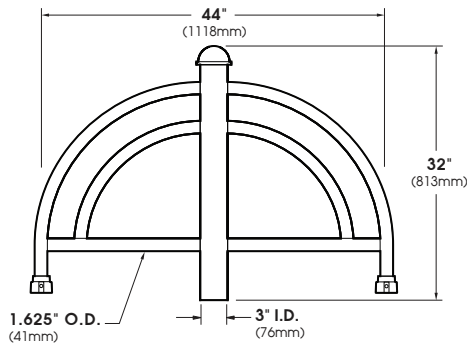
Finish

Electrostatically applied TGIC Polyester Powder Coat on substrate prepared with 20 PSI power wash at 140°F. Four step media blast and iron phosphate pretreatment for protection and paint adhesion. 400°F bake for maximum hardness and durability.

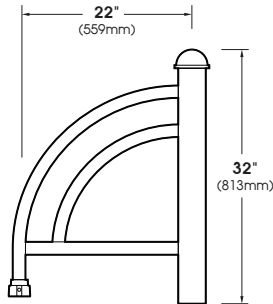


XBB

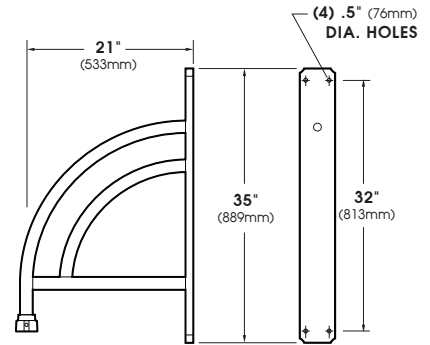
Patent pending



XBB-2-180
EPA = 1.74



XBB-1
EPA = 1.16



XBB-WM
EPA = 0.86

SCALE: 1/2"=1'

ORDERING INFORMATION

Spec/Order Example: XAE-1/RAL-9005-S

Configuration

- | | | | | |
|---|---|---|---|---|
|  |  |  |  |  |
| <input type="checkbox"/> XBB-WM | <input type="checkbox"/> XBB-1 | <input type="checkbox"/> XBB-2-180 | <input type="checkbox"/> XBB-3-120 | <input type="checkbox"/> XBB-4-90 |

Finish*

- | | | | | |
|--|--|---|--|--|
| <input type="checkbox"/> Black
RAL-9005-T | <input type="checkbox"/> White
RAL-9003-T | <input type="checkbox"/> Grey
RAL-7004-T | <input type="checkbox"/> Dark Bronze
RAL-8019-T | <input type="checkbox"/> Green
RAL-6005-T |
|--|--|---|--|--|

*Standard texture finish
For smooth finish replace suffix "T" with suffix "S"
(Example: RAL-9005-S)
Consult factory for custom colors