

TENON MOUNTED ARM

ASA/SSA

PROJECT NAME: _____

PROJECT TYPE: _____

FEATURES

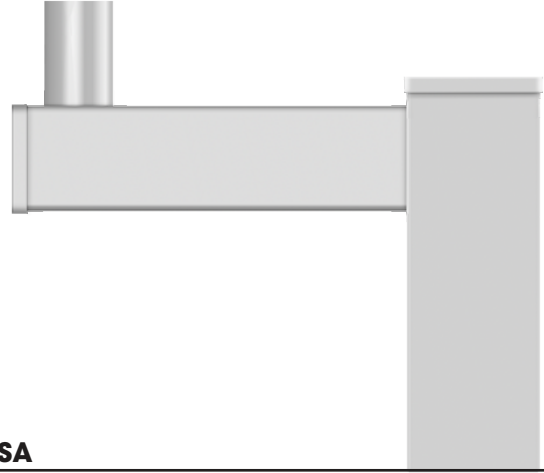
Arm

Aluminum: Extruded from 6063 alloy aluminum heat treated to produce a T6 temper.

Steel: Fabricated from high grade structural quality hot rolled carbon steel.

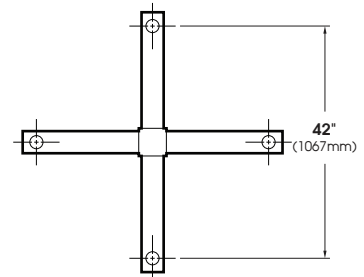
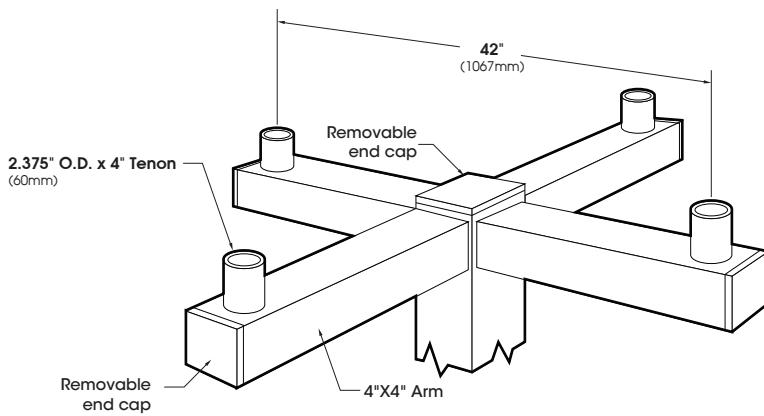
Finish

Electrostatically applied TGIC Polyester Powder Coat on substrate prepared with 20 PSI power wash at 140°F. Four step media blast and iron phosphate pretreatment for protection and paint adhesion. 400°F bake for maximum hardness and durability.

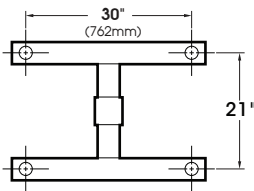


ASA/SSA

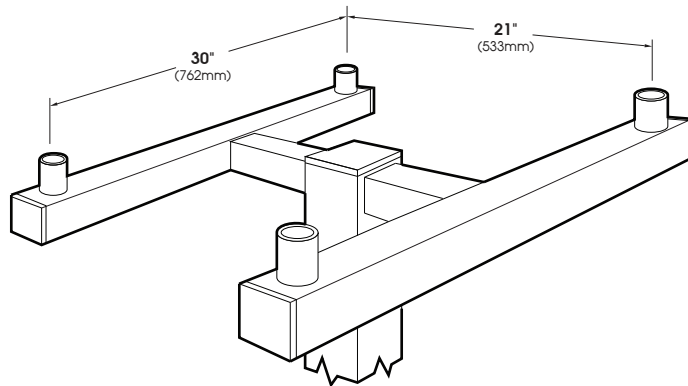
Patent pending



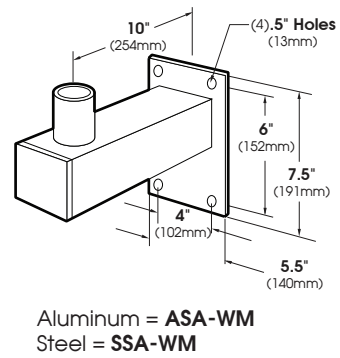
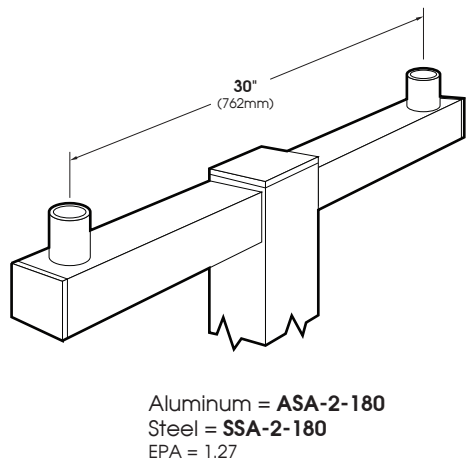
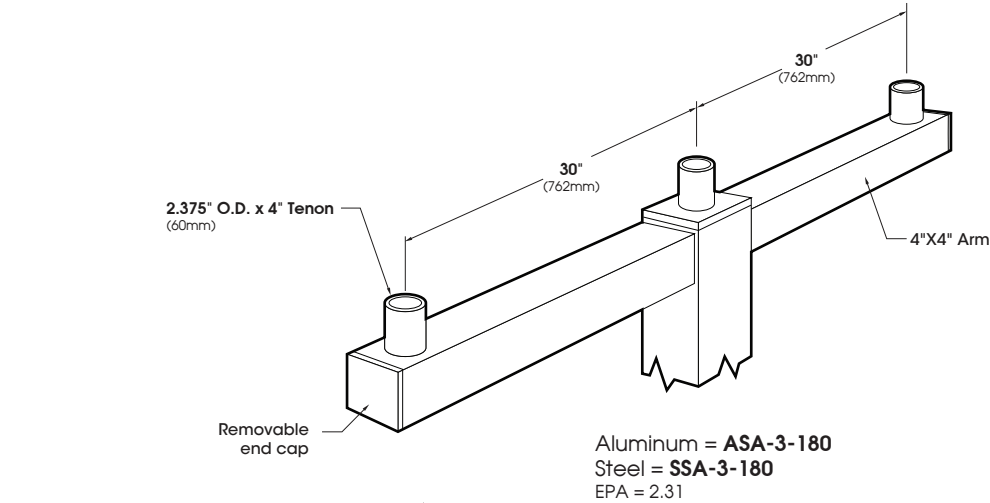
Aluminum = **ASA-4-90**
 Steel = **SSA-4-90**
 EPA = 1.72



Aluminum = **ASAH-4**
 Steel = **SSAH-4**
 EPA = 1.72



SCALE: 1/2"=1'



ORDERING INFORMATION

Spec/Order Example: **ASAH-4/RAL-7004-T**

Configuration								
<input type="checkbox"/> ASA-WM	<input type="checkbox"/> ASA-1	<input type="checkbox"/> ASA-2-180	<input type="checkbox"/> ASA-3-180	<input type="checkbox"/> ASA-3-90	<input type="checkbox"/> ASAH-4	<input type="checkbox"/> ASA-4-90	<input type="checkbox"/> ASA-5-90	
<input type="checkbox"/> SSA-WM	<input type="checkbox"/> SSA-1	<input type="checkbox"/> SSA-2-180	<input type="checkbox"/> SSA-3-180	<input type="checkbox"/> SSA-3-90	<input type="checkbox"/> SSAH-4	<input type="checkbox"/> SSA-4-90	<input type="checkbox"/> SSA-5-90	
Finish*	<input type="checkbox"/> Black RAL-9005-T	<input type="checkbox"/> White RAL-9003-T	<input type="checkbox"/> Grey RAL-7004-T	<input type="checkbox"/> Dark Bronze RAL-8019-T	<input type="checkbox"/> Green RAL-6005-T	*Aluminum standard texture finish Steel supplied with smooth finish For smooth finish replace suffix "T" with suffix "S" (Example: RAL-9005-S) Consult factory for custom colors		