

UNLIT BOLLARD

B900 SERIES

Housing and Riser

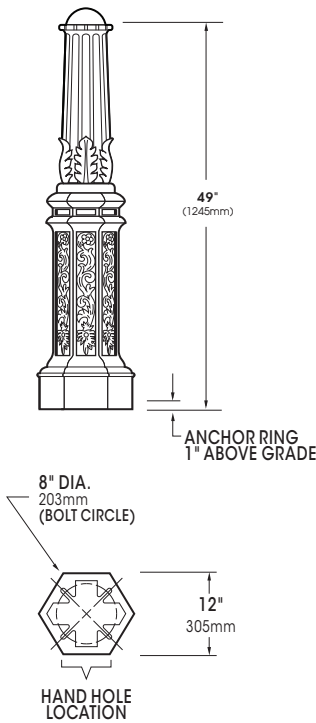
Durable, corrosion resistant cast aluminum (A356 alloy; < 0.2% Cu) base, riser and top cap, minimum .250" wall thickness. All visible welds are blended, all exposed hardware is stainless steel.

Finish

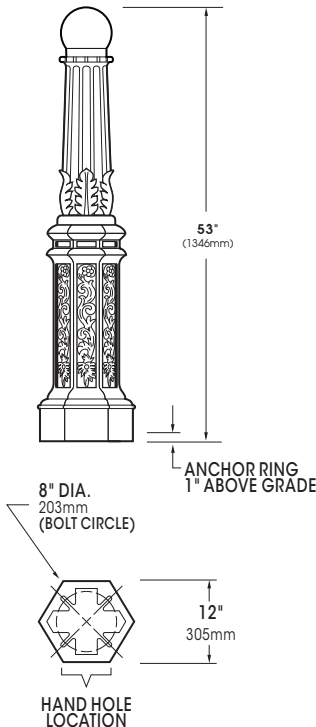
Electrostatically applied TGIC Polyester Powder Coat on substrate prepared with 20 PSI power wash at 140°F. Four step media blast and iron phosphate pretreatment for protection and paint adhesion. 400°F bake for maximum hardness and durability.

PROJECT NAME: _____

PROJECT TYPE: _____



B9C-CAP



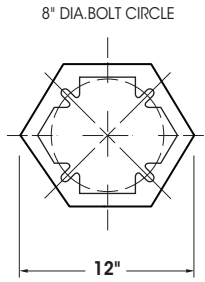
B9C-BAL



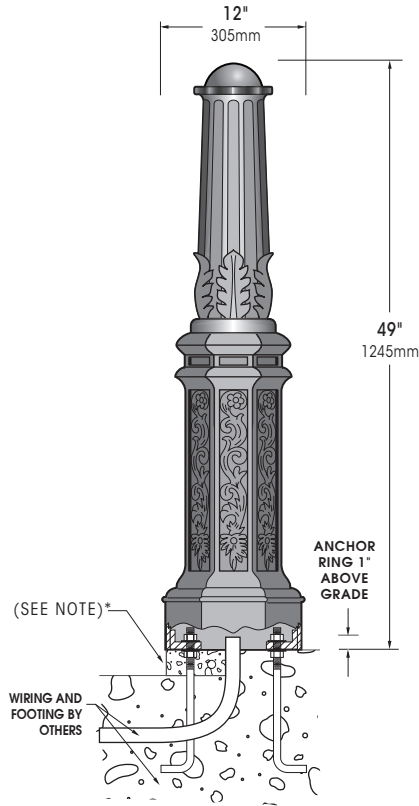
2025097

SPECIFICATIONS

GROUND MOUNTING

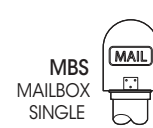


ANCHOR BOLT(4) 3/4" X 18"

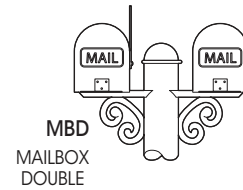


*When mounting in soil, anchor bolt fasteners and other hardware must be protected from soil by grouting.

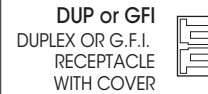
ACCESSORIES



Mailboxes may be mounted post top or side mount.



Mailboxes are of durable, corrosion resistant, cast aluminum (A356 alloy; <.02% copper) and painted to match the decorative bollard.



Specify Duplex or GFCI receptacle to mount in the outlet provision. Standard cover supplied.



Eyebolts for barrier chain or cord. Specify eyebolt(s) height and location.

LIGHTED VERSION ORDERING INFORMATION

Unit Example: B9C-BAL/RAL-8019-S/DUP

Model	Finish	Accessories
<p>Model</p> <p>UN-LIGHTED</p> <p><input type="checkbox"/> B9C-CAP</p> <p><input type="checkbox"/> B9C-BAL</p> <p>To configure, show Model, Finish and any pertinent Accessories</p>	<p>Finish</p> <p>STANDARD TEXTURED FINISH</p> <p><input type="checkbox"/> Black 9005-T</p> <p><input type="checkbox"/> White 9003-T</p> <p><input type="checkbox"/> Grey 7004-T</p> <p><input type="checkbox"/> Dark Bronze 8019-T</p> <p><input type="checkbox"/> Green 6005-T</p> <p>Premium Finishes</p> <p><input type="checkbox"/> Rust</p> <p><input type="checkbox"/> Patina Copper PC</p> <p>For smooth finish replace suffix "T" with suffix "S" (Example: RAL-9500-S)</p> <p>Consult factor for custom colors</p>	<p>Accessories</p> <p><input type="checkbox"/> Mailbox - Single MBS</p> <p><input type="checkbox"/> Mailbox - Double MBD</p> <p><input type="checkbox"/> Duplex Receptacle DUP</p> <p><input type="checkbox"/> Ground Fault Receptacle GFI</p> <p><input type="checkbox"/> Bollard Eye Bolt - Single BEB</p> <p><input type="checkbox"/> Bollard Eye Bolt - Double BEB/2-180</p>