

BITTSCAPE-600

AREA, PATH, AND BED LUMINAIRE

SPECIFICATIONS

CONSTRUCTION:

Solid Brass L-Shaped Fixture. 1/2" NPT Threading At Base for Mounting. Fixture Is Sealed to an IP66 Standard.

FINISH:

Aged Brass Finish (AB) is a Patina Process Giving the Raw Brass Components a Time-Weathered Look and is Enhanced with UV-Stabilizers for a Long Lasting Look with Superior Corrosion Resistance and Durability.

Black Finish (BLK) is a Two Stage Finish on the Raw Brass Components. A High-Adhesion Primer is Applied over the Raw Brass. The Black Coat is Applied over the Primer and Contains UV-Stabilizers Resulting in an Extremely Durable, Long Lasting, Fade Resistant Coating that is Superior To Ordinary Powdercoats.

Underside Of Reflector is finished with a White Coating for Increased Light Reflectance and Diffusion.

LENS:

Frosted Polycarbonate Lens Sealed to Housing.

LED:

Integrated LED Module Operates from 8-14VDC and -40°C to 50°C. Module is 3Watts 220 Lumens 3000K, 80 CRI Min. 30,000 Hour LED Lifetime.

WIRING:

Fixture has Pre-Installed 16AWG Leads. Primary 25' Lead and Secondary Pass Through 18" Lead for Daisy Chaining of Multiple Fixtures.

MOUNTING:

14" Plastic Stake Included. Stake is 1/2"NPT Threaded and Color Matched to Housing.

WARRANTY:

10 Year Warranty On Housing and LED Components.

Certifications:

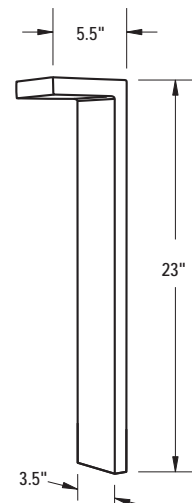
Complies with the requirements of UL-1838 and CAN/CSA-C22.2 No. 250.7. Identified with the ETL & cETL Listed Mark



BTSC600
Aged Brass



BTSC600
Black Coating



Weight: 6.4lbs

2025232

ORDERING

Ordering Example: BTSC600-AB-3.0W-3000K

Luminaire	Finish	Lamp	Accessories
Luminaire	Finish	Lamp	Accessories
BTSC600	<input type="checkbox"/> AB - Aged Brass <input type="checkbox"/> BLK - Black	<input type="checkbox"/> 3.0W-3000K	<input type="checkbox"/> STKP3AB (14" Stake Brass) <input type="checkbox"/> STKP3BLK (14" Stake Black)

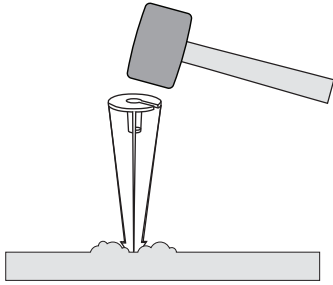
ACCESSORIES



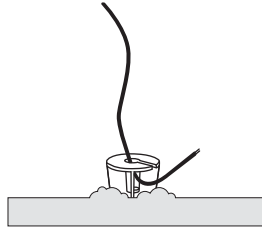
P3 (14")

SLOTTED GROUND STAKES (STK)
 Plastic Ground Stakes with Wiring Slots and 1/2" NPT Threading. Aged Brass or Black.

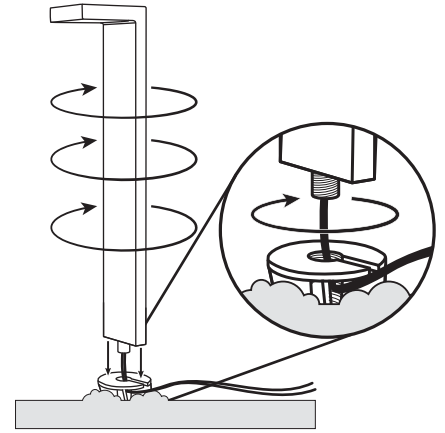
INSTALLATION (12 Volt In-Grade)



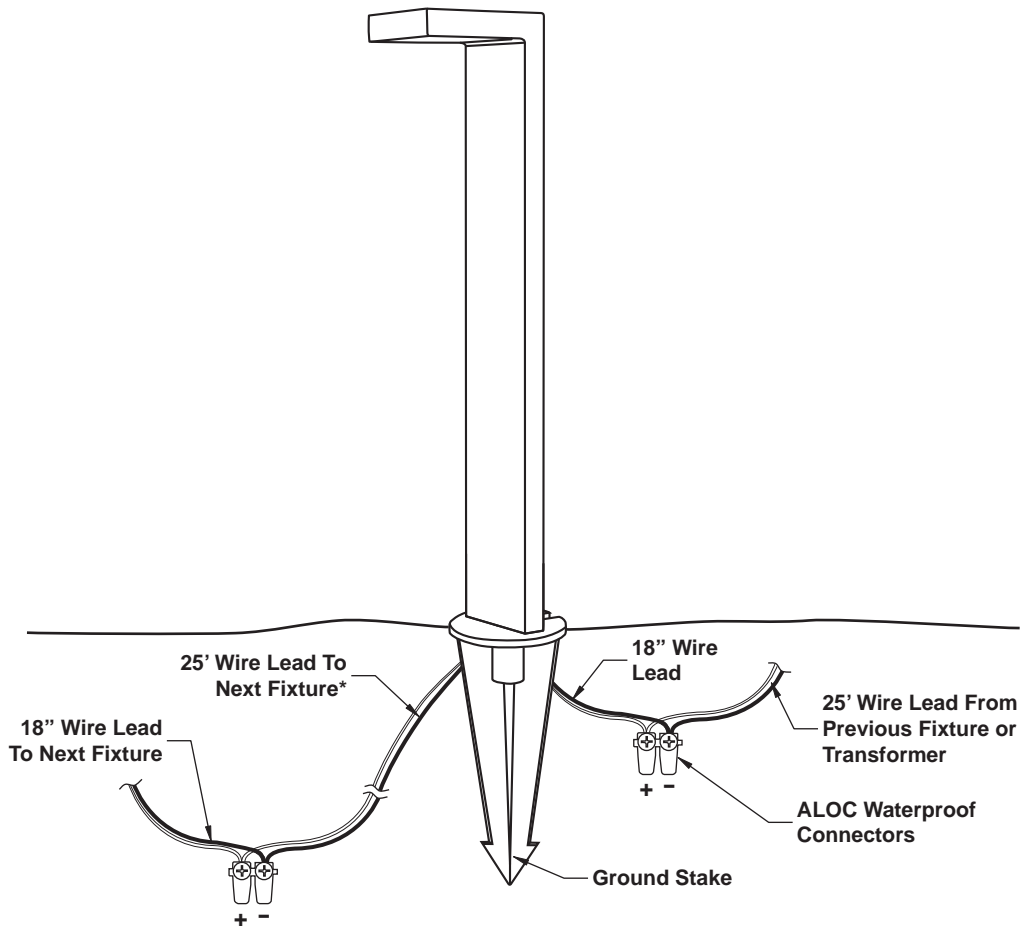
Pound mounting stake into ground with rubber mallet.
DO NOT Use Fixture To Set Stake.



Run wire through the slotted part of the stake.



Thread fixture onto stake.



*Terminate And Cap Leads if Last Fixture On Run